



US00D373934S

United States Patent [19]
Morris

[11] **Patent Number: Des. 373,934**
[45] **Date of Patent: **Sep. 24, 1996**

[54] **BEVERAGE CONTAINER HOLDER**

D. 329,358 9/1992 Espinosa, Jr. D7/620

[76] Inventor: **Phillip T. Morris**, 183 Dexter St.,
Prescott, Wis. 54021

Primary Examiner—Terry A. Wallace
Attorney, Agent, or Firm—John W. Adams

[**] Term: **14 Years**

[57] **CLAIM**

[21] Appl. No.: **39,965**

The ornamental design for a beverage container holder, as shown.

[22] Filed: **Jun. 6, 1995**

[52] **U.S. Cl.** **D7/620**

[58] **Field of Search** D7/619-625; 211/71,
211/74, 75; 248/309.1, 311.2, 312, 312.1;
220/737, 742; D12/416, 419

DESCRIPTION

FIG. 1 is a top plan view of a beverage container holder showing my new design;
FIG. 2 is a side elevational view thereof;
FIG. 3 is a front elevational view thereof;
FIG. 4 is a bottom plan view thereof; and,
FIG. 5 is a perspective view thereof.

[56] **References Cited**

U.S. PATENT DOCUMENTS

D. 228,335 9/1973 Jackson D7/620
D. 303,057 8/1989 Smith D7/620

1 Claim, 3 Drawing Sheets

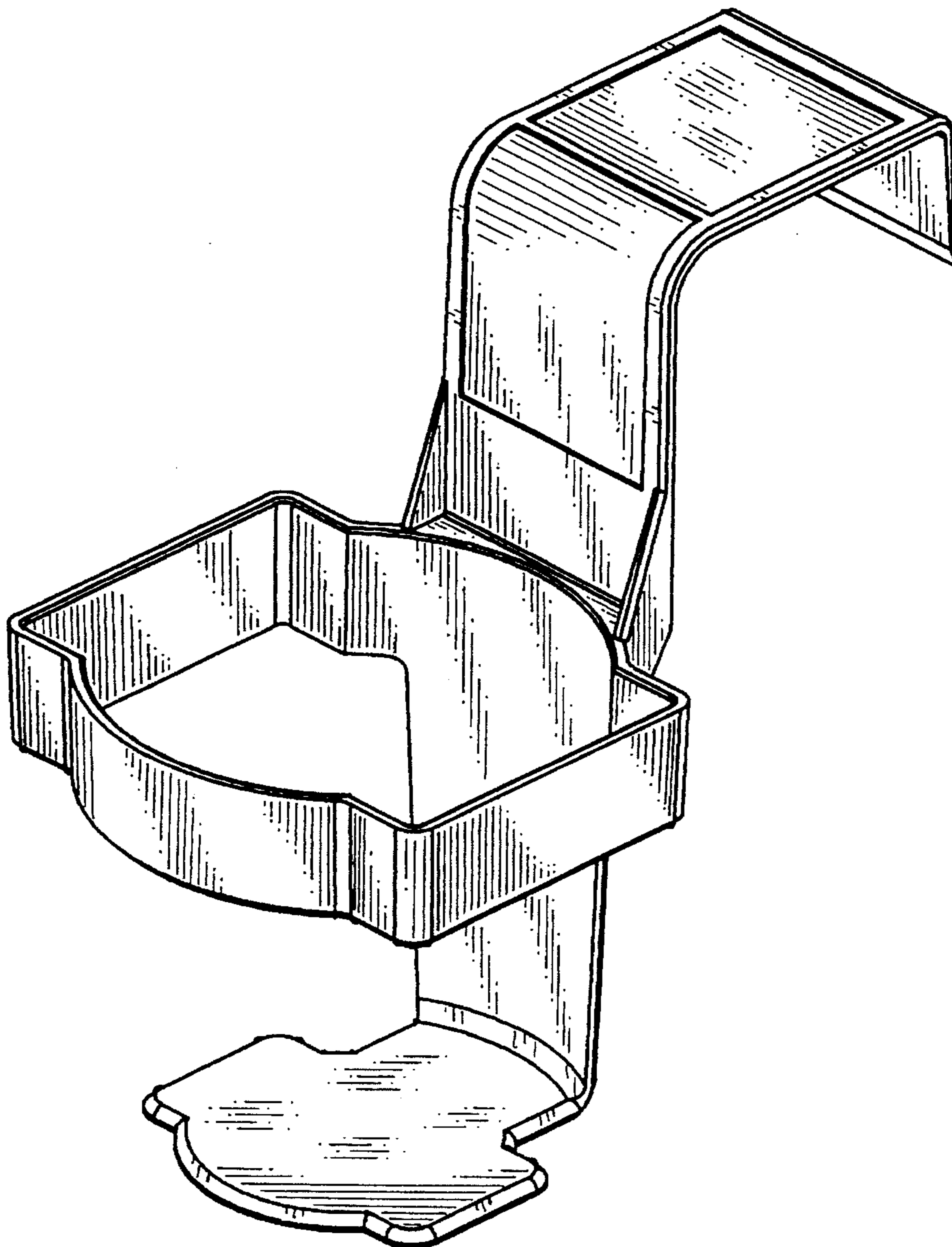


FIG. 1

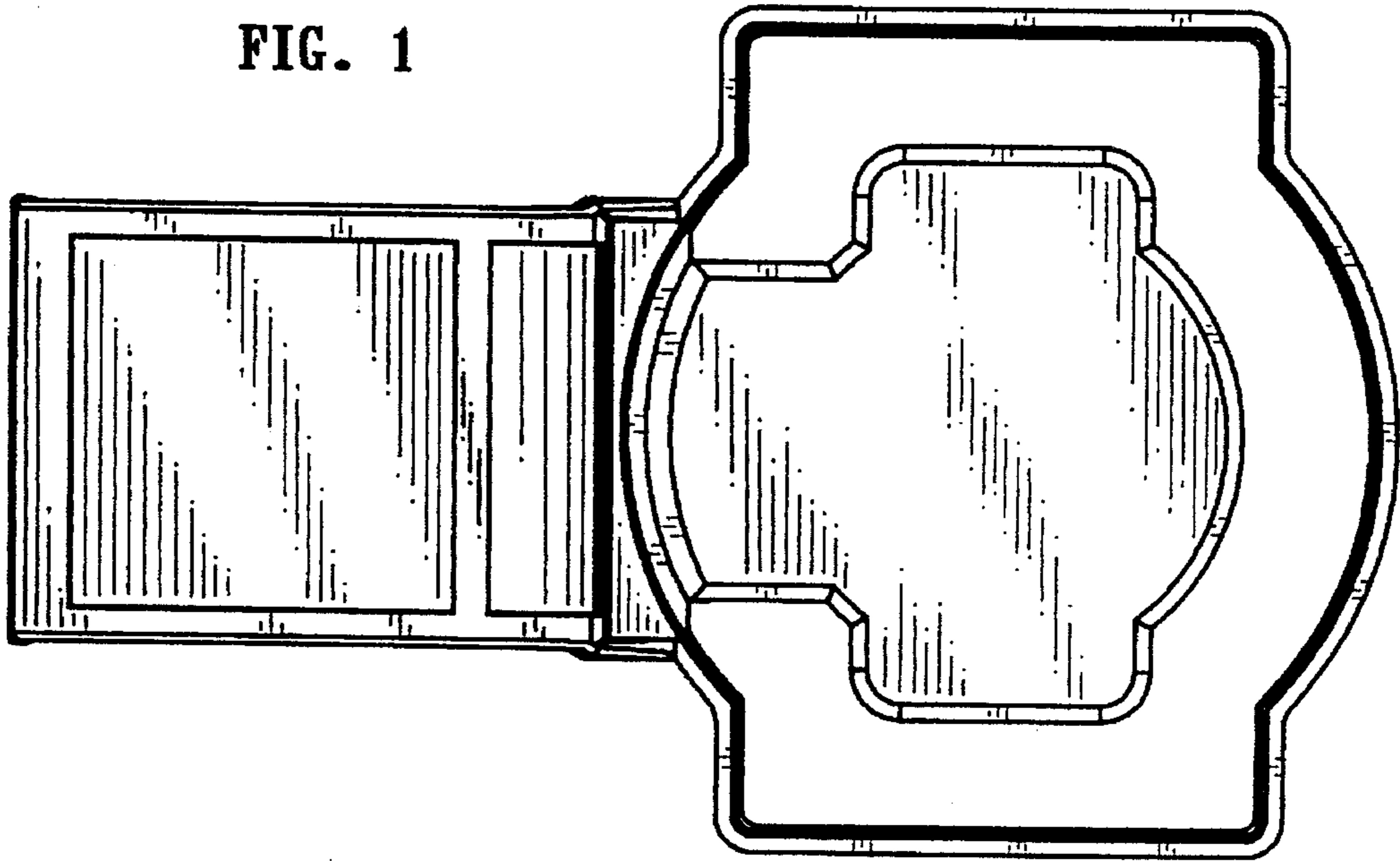


FIG. 2

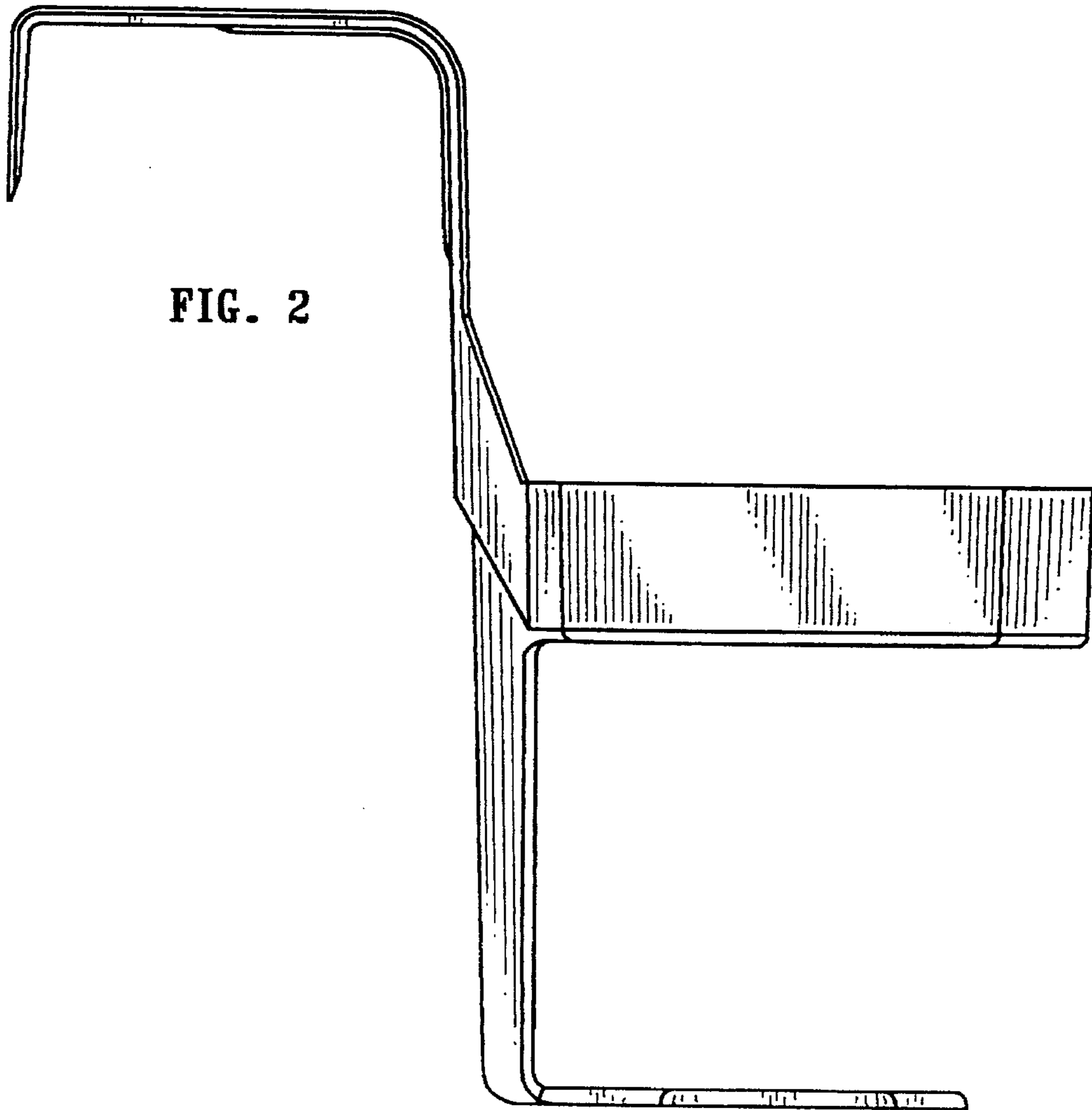


FIG. 4

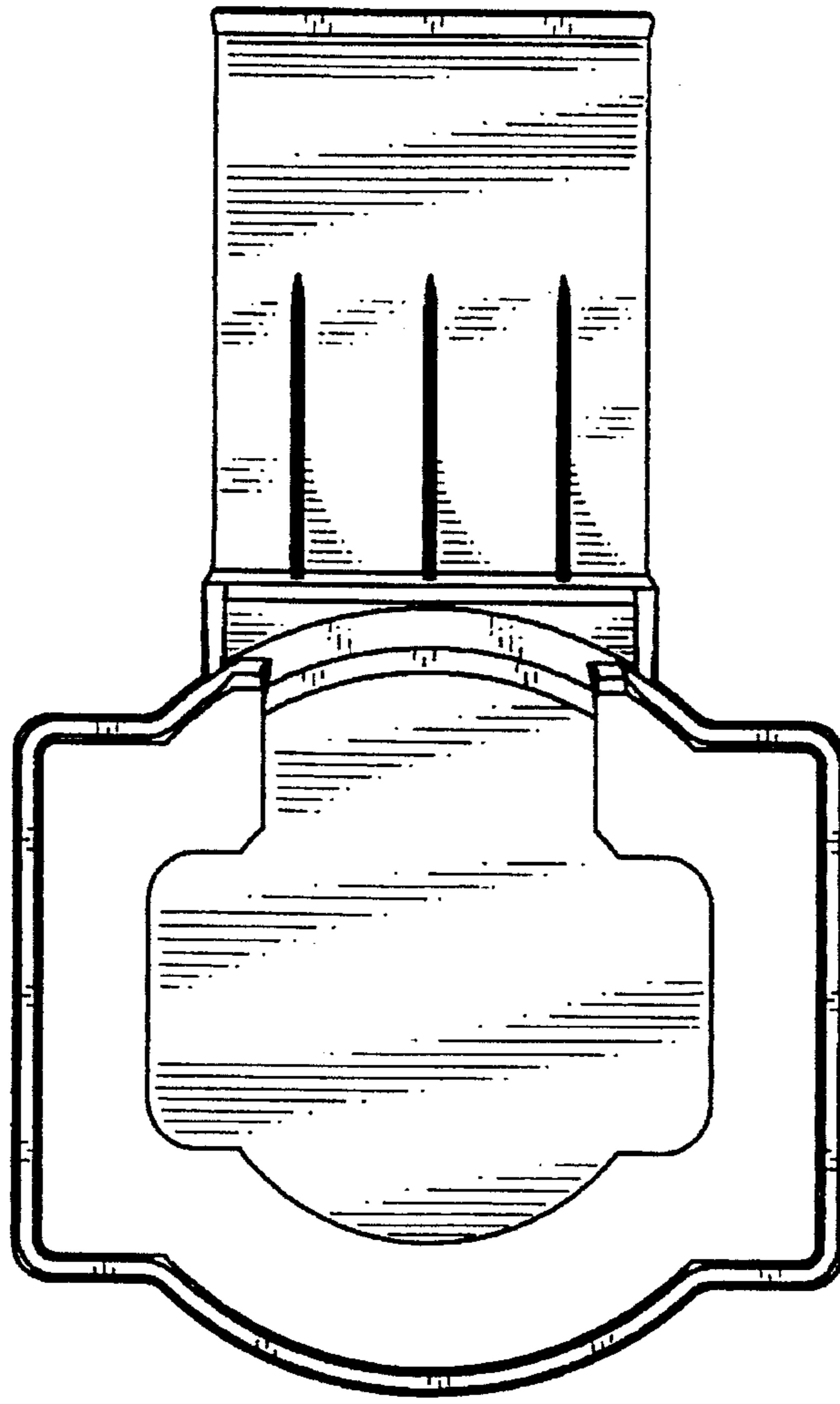


FIG. 3

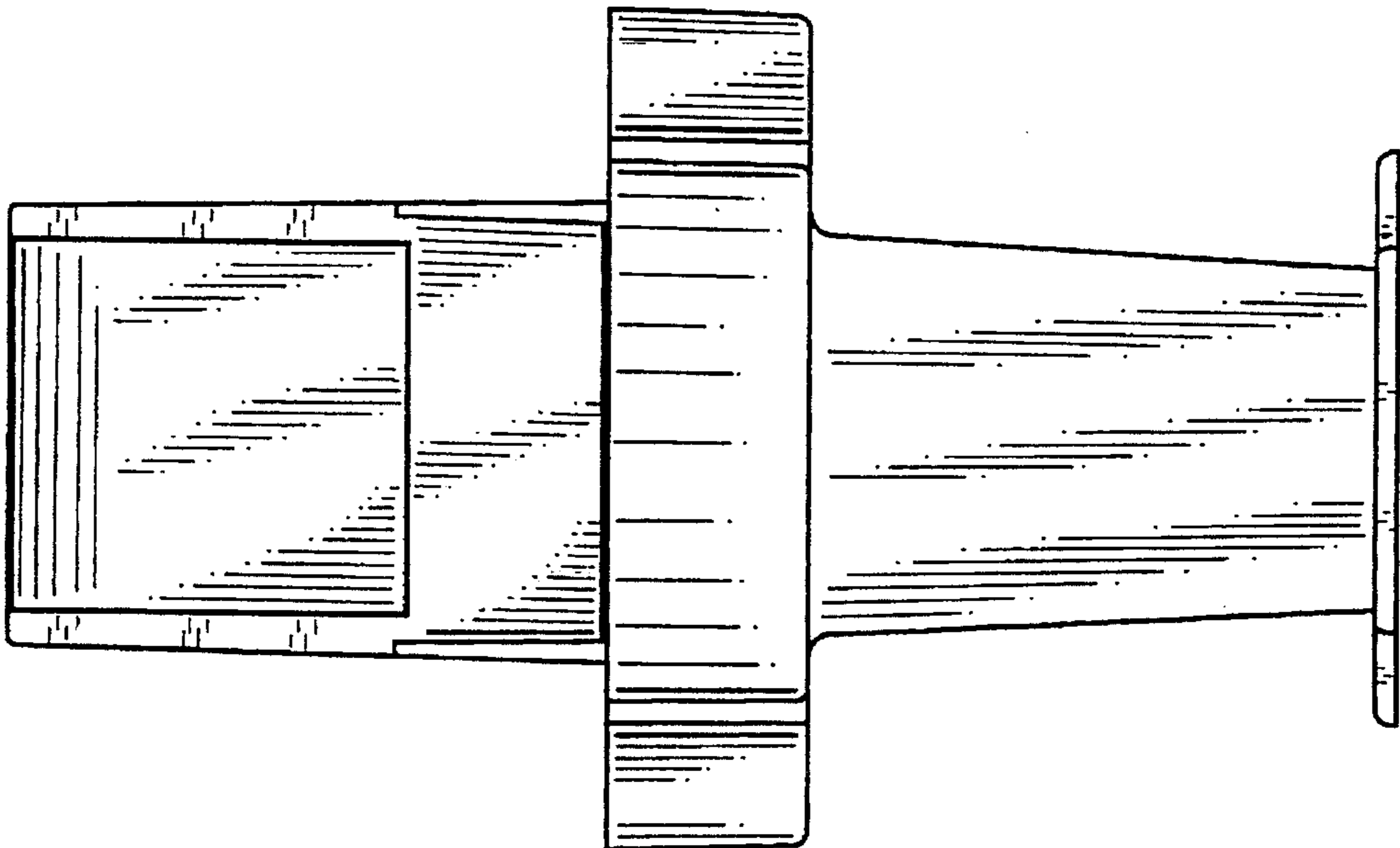


FIG. 5

