



US00D373931S

# United States Patent [19] Whitehead

[11] Patent Number: **Des. 373,931**

[45] Date of Patent: **\*\*Sep. 24, 1996**

[54] **COVERED FOOD TRAY**

[75] Inventor: **Daniel T. Whitehead**, Atlanta, Ga.

[73] Assignee: **De Ster Corporation**, Atlanta, Ga.

[\*\*] Term: **14 Years**

[21] Appl. No.: **43,226**

[22] Filed: **Aug. 30, 1995**

[52] U.S. Cl. .... **D7/539; D7/567; D9/307; D9/310**

[58] Field of Search ..... **D7/613, 628, 629, D7/566, 567, 578, 571, 539, 538, 569, 544, 551, 556, 506; D9/307, 310; D28/79, 80**

[56] **References Cited**

**U.S. PATENT DOCUMENTS**

D. 93,591	10/1934	Wewetzer	.....	D28/79	X
D. 96,211	7/1935	Whitlock	.....	D28/80	
D. 124,955	2/1941	Botham	.....	D28/79	X
D. 166,238	3/1952	Bedinger	.....	D9/310	
D. 173,614	12/1954	Gemora	.....	D28/80	
D. 253,514	11/1979	Etelson	.....	D9/310	
D. 255,096	5/1980	Etelson	.....	D9/310	
D. 270,386	8/1983	Lee	.....	D28/80	
D. 281,042	10/1985	Antoni et al.	.....	D7/539	
D. 300,510	4/1989	Mason	.....	D9/310	
D. 303,724	9/1989	Hornig et al.	.....	D28/80	

*Primary Examiner*—Nelson C. Holtje  
*Assistant Examiner*—M. N. Pandozzi  
*Attorney, Agent, or Firm*—Michael J. Powell

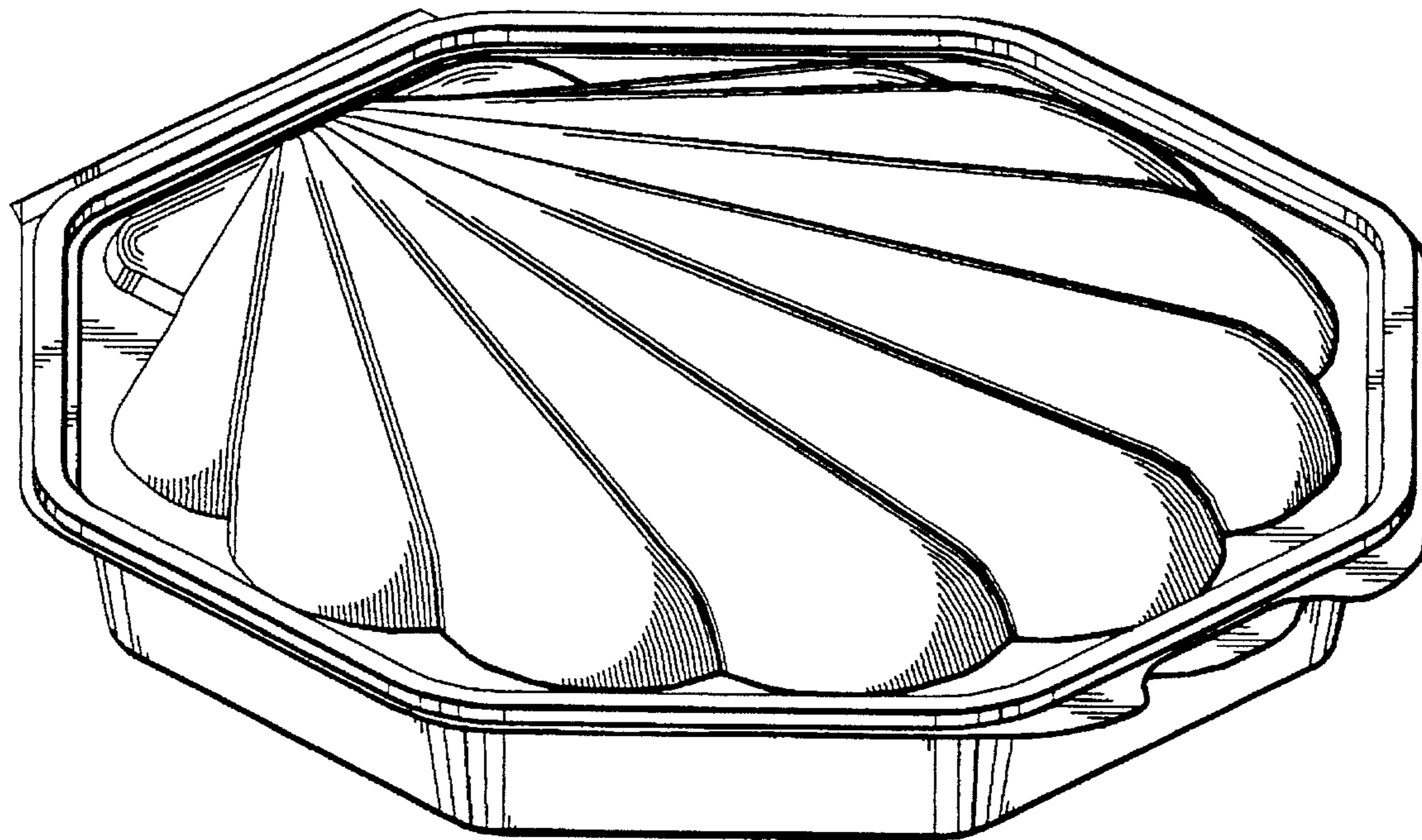
[57] **CLAIM**

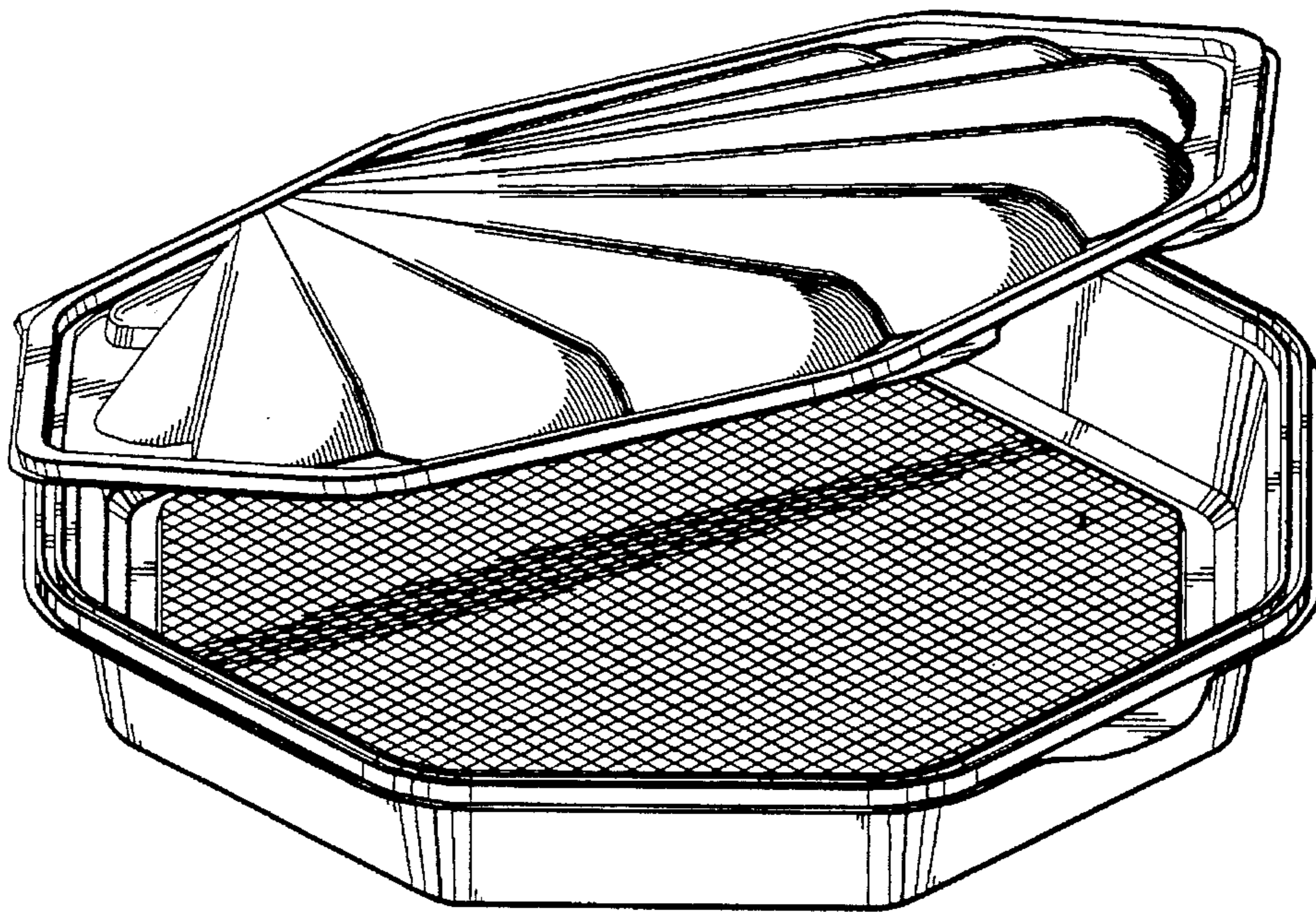
The ornamental design for a covered food tray, as shown and described.

**DESCRIPTION**

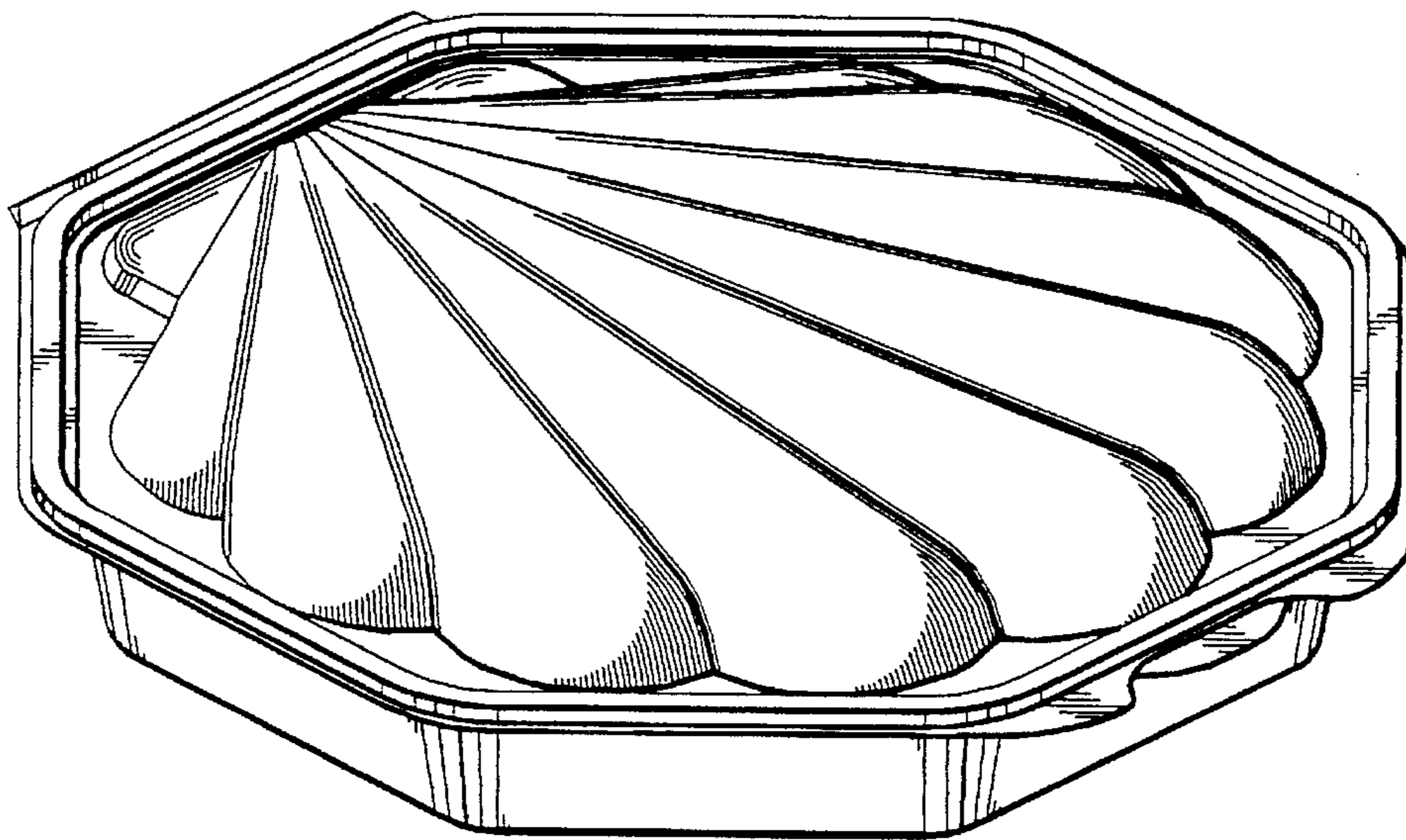
FIG. 1 is a perspective view of the covered food tray in a partially opened configuration;  
FIG. 2 is a perspective view thereof in a closed configuration;  
FIG. 3 is a top view thereof;  
FIG. 4 is a bottom view thereof;  
FIG. 5 is a front view thereof;  
FIG. 6 is a rear view thereof;  
FIG. 7 is a left side view, the right side being a mirror image thereof;  
FIG. 8 is a perspective view of a covered food tray showing a second embodiment of my design in a partially opened position; and,  
FIG. 9 is a bottom view thereof; the top, front, rear left side and right side views of the embodiment shown in FIGS. 8 and 9 being the same as those in FIGS. 2-7.  
The top, front, rear, and left side views of the second embodiment (shown in FIGS. 8 and 9) is the same as those shown in FIGS. 2, 3, and FIGS. 5-7.

**1 Claim, 4 Drawing Sheets**



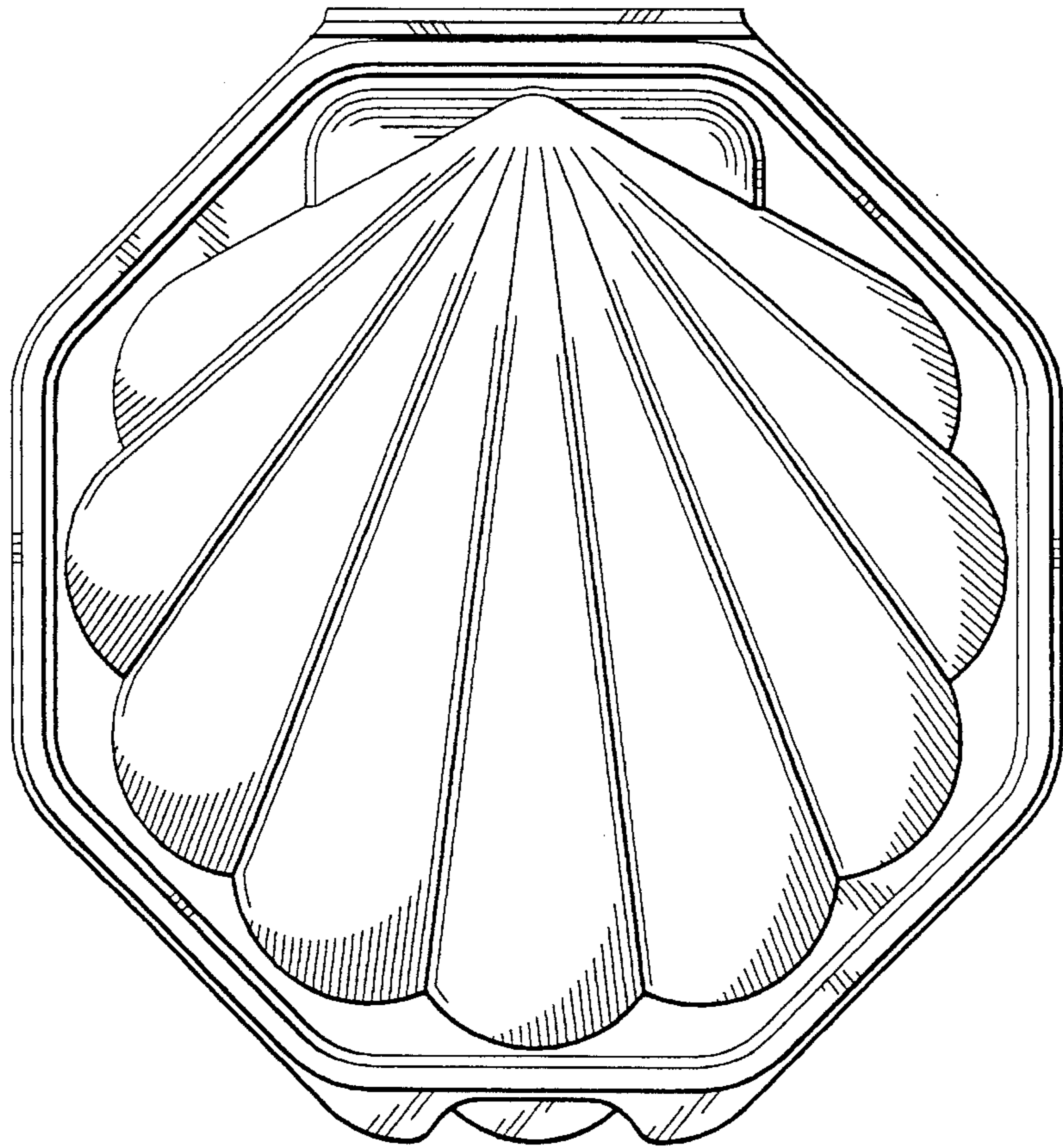


**FIG 1**

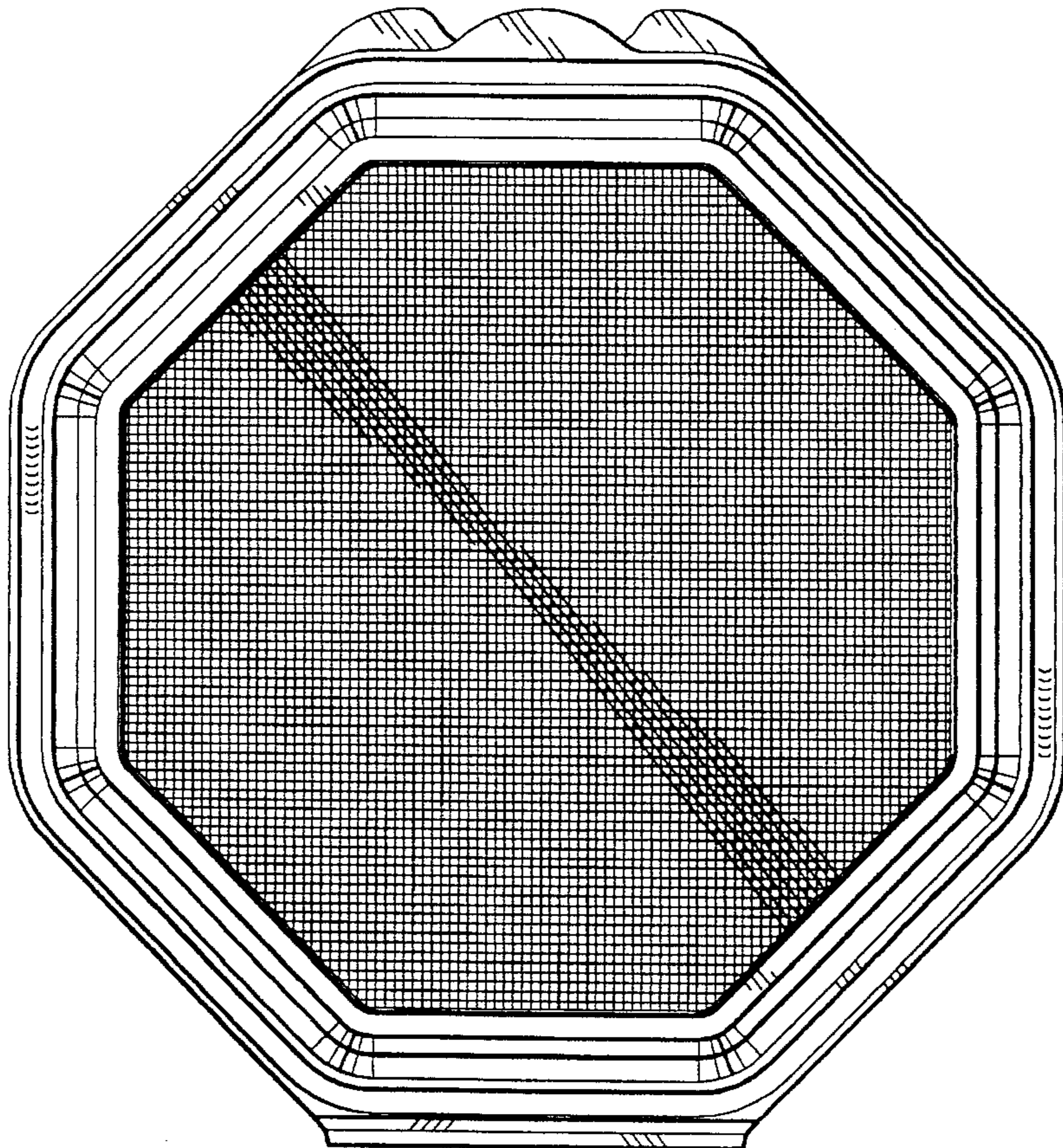


**FIG 2**

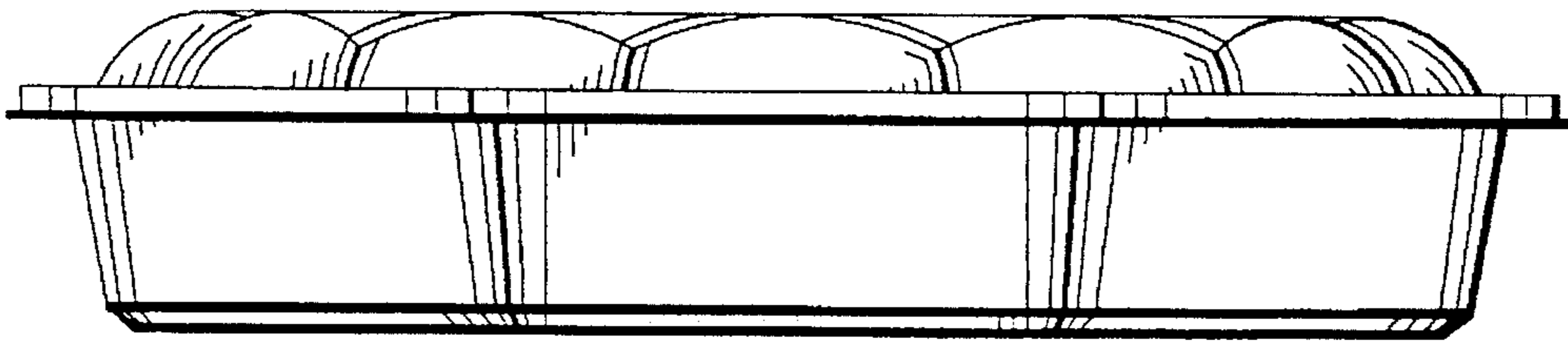




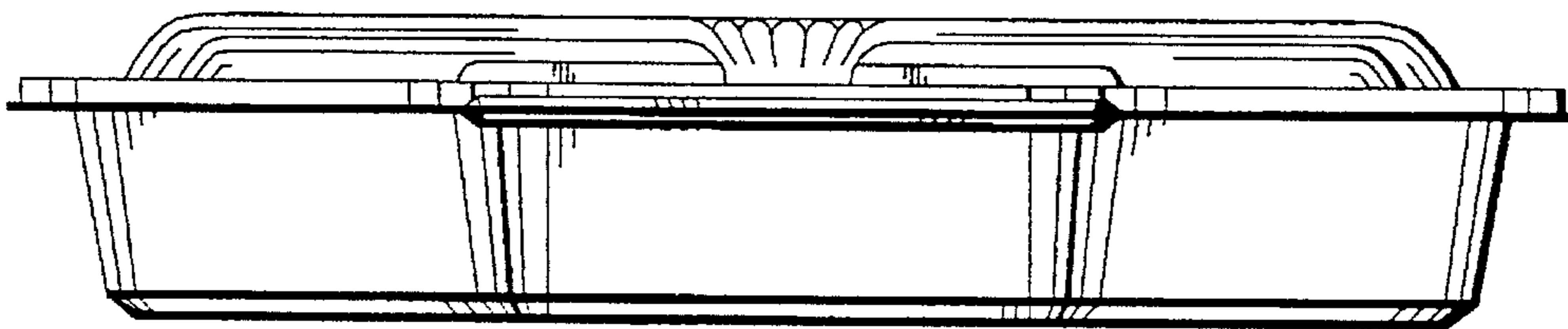
**FIG 3**



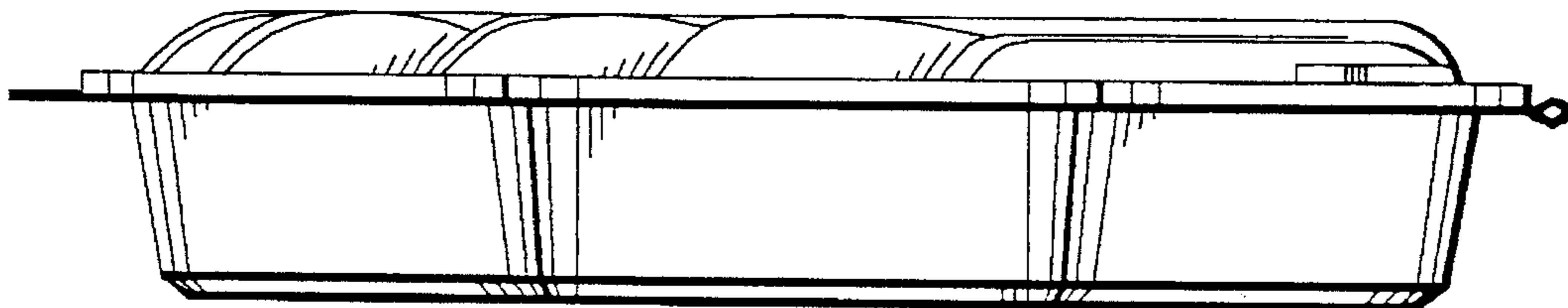
**FIG 4**



**FIG 5**

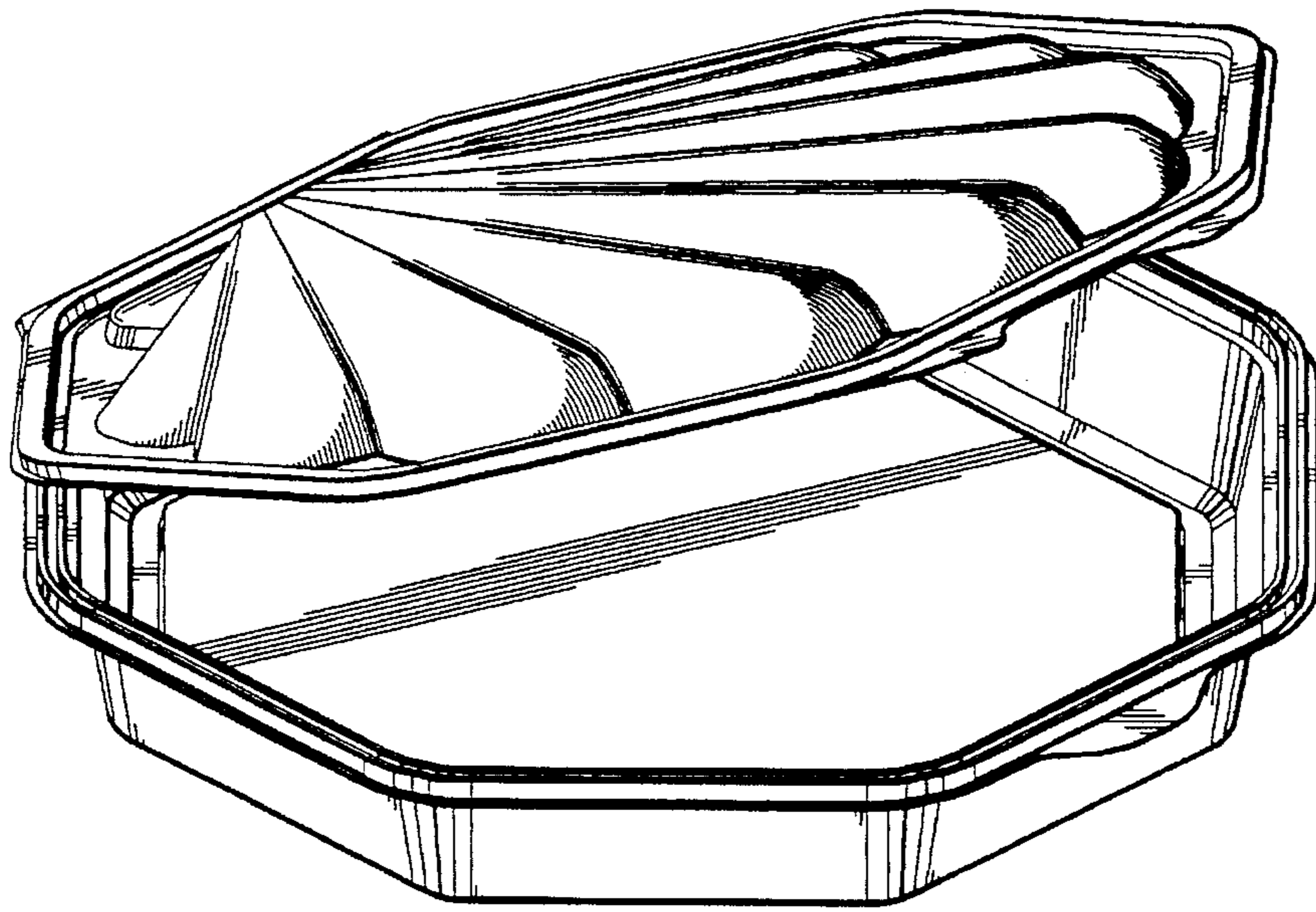


**FIG 6**

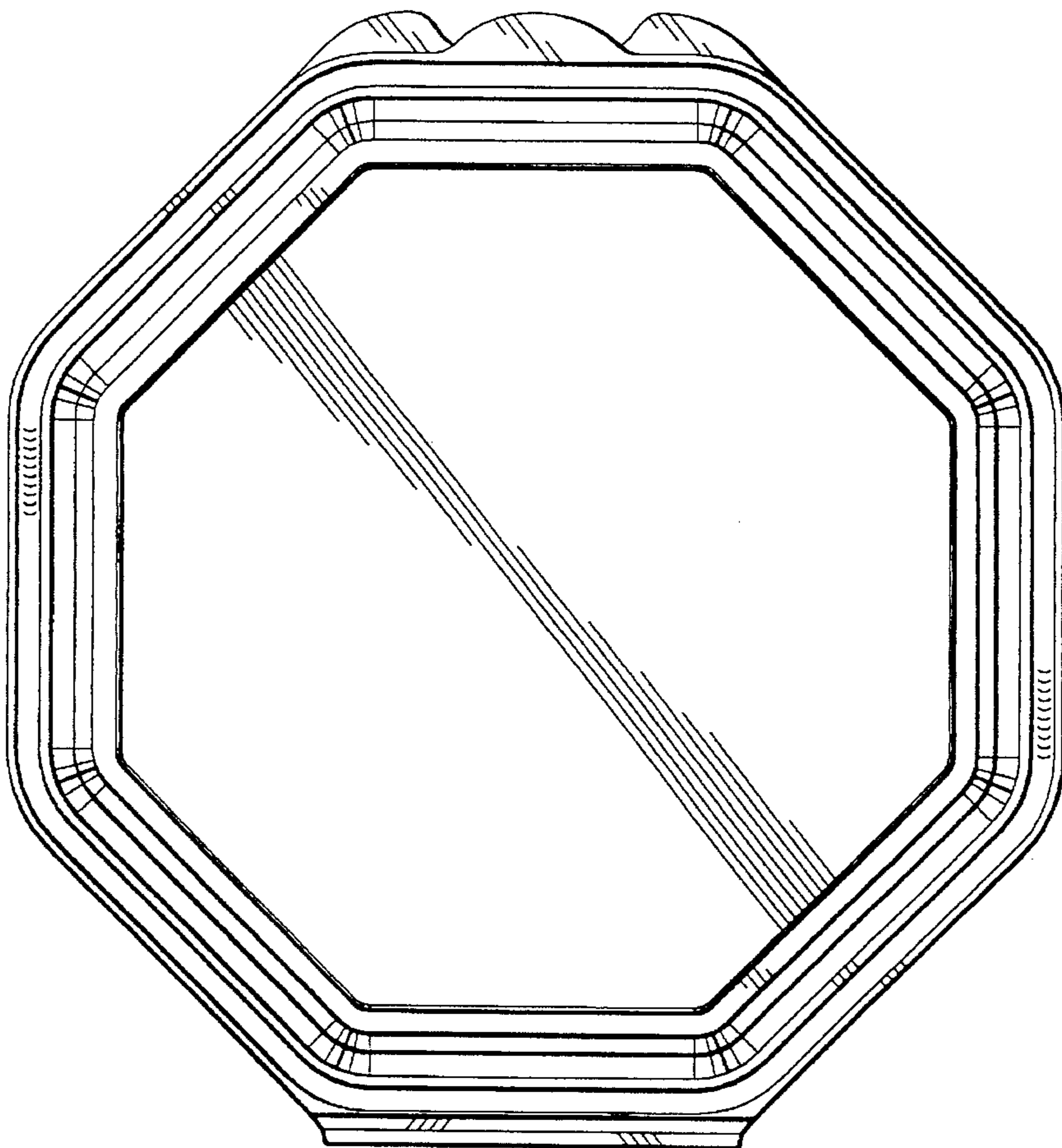


**FIG 7**





**FIG 8**



**FIG 9**