



US00D373929S

United States Patent [19]
Gambini

[11] **Patent Number: Des. 373,929**

[45] **Date of Patent: **Sep. 24, 1996**

[54] **HANDLE FOR KITCHEN CONTAINERS**

[75] Inventor: **Rino Gambini**, Fermignano, Italy

[73] Assignee: **TVS S.P.A.**, Trasanni, Italy

[**] Term: **14 Years**

[21] Appl. No.: **41,891**

[22] Filed: **Jul. 26, 1995**

[30] **Foreign Application Priority Data**

Jan. 25, 1995 [IT] Italy MI 95/0 000044

[52] **U.S. Cl.** **D7/395**

[58] **Field of Search** D7/393, 394, 395,
D7/361, 363, 356; D8/107; 16/110 R, 110 A

[56] **References Cited**

U.S. PATENT DOCUMENTS

D. 109,050	3/1938	Dittmer	D7/356
D. 140,046	1/1945	Behl	D7/394
D. 216,907	3/1970	Connor	D7/395
D. 251,176	2/1979	Lewis	D7/363 X

524,854	8/1894	Knapp	16/110 A
1,216,309	2/1917	Harrison	16/110 R
1,317,715	10/1919	Luttringhaus	16/110 A
1,422,630	7/1922	Smart	16/110 A
2,011,752	8/1935	Christman	16/110 A X
4,413,767	11/1983	Hellinger	D7/393 X

Primary Examiner—Nelson C. Holtje
Assistant Examiner—Caron D. Veynar
Attorney, Agent, or Firm—Abelman, Frayne & Schwab

[57] **CLAIM**

The ornamental design for handle for kitchen containers, as shown and described.

DESCRIPTION

FIG. 1 is a perspective view of the handle of my design;
FIG. 2 is an underside view of the handle;
FIG. 3 is a right-hand end view of the handle;
FIG. 4 is a plan view thereof;
FIG. 5 is a front elevation of the handle, the rear elevation being a mirror image of FIG. 5 ; and,
FIG. 6 is a left-side end view of the handle.

1 Claim, 2 Drawing Sheets

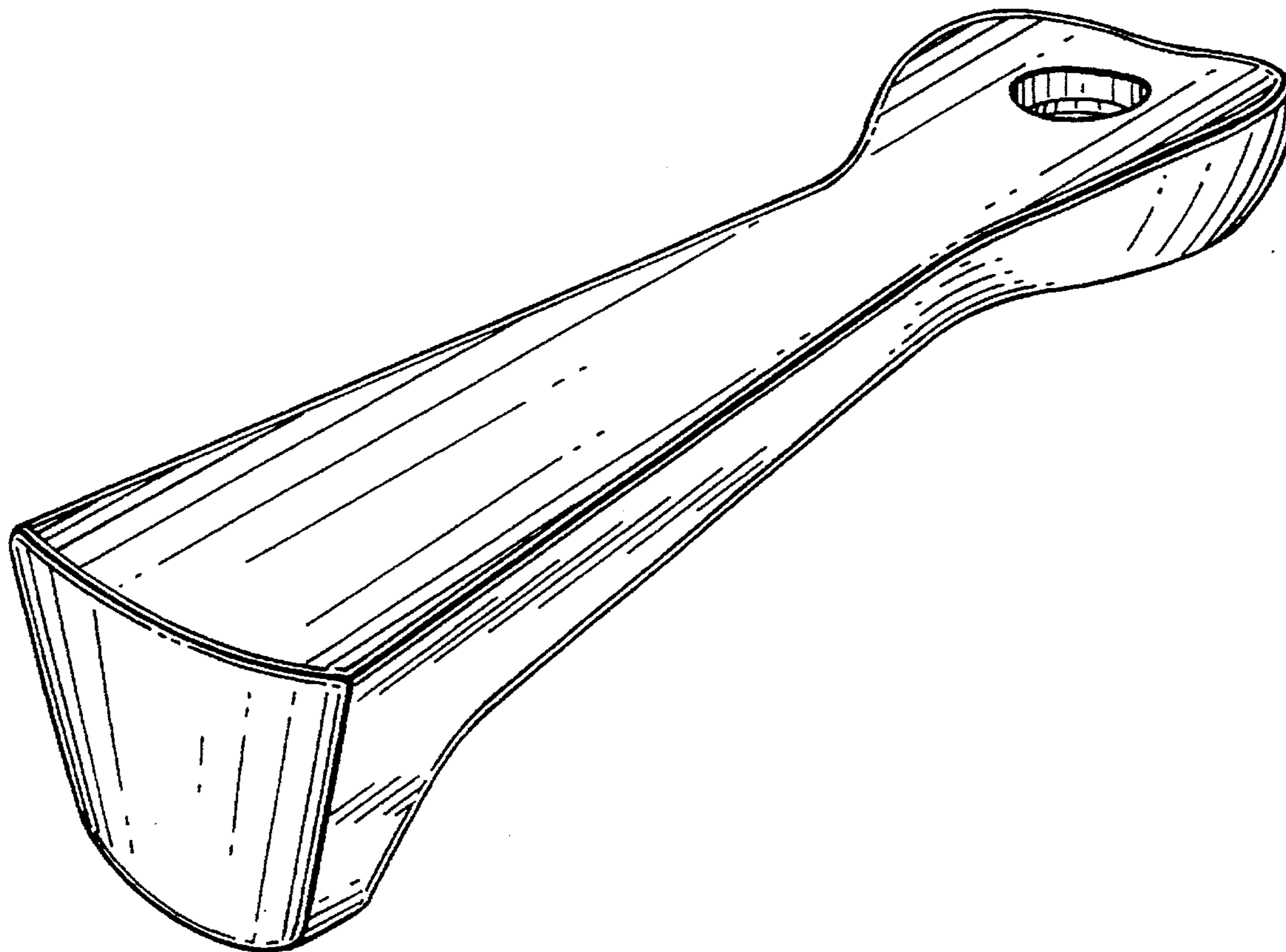


FIG. 1

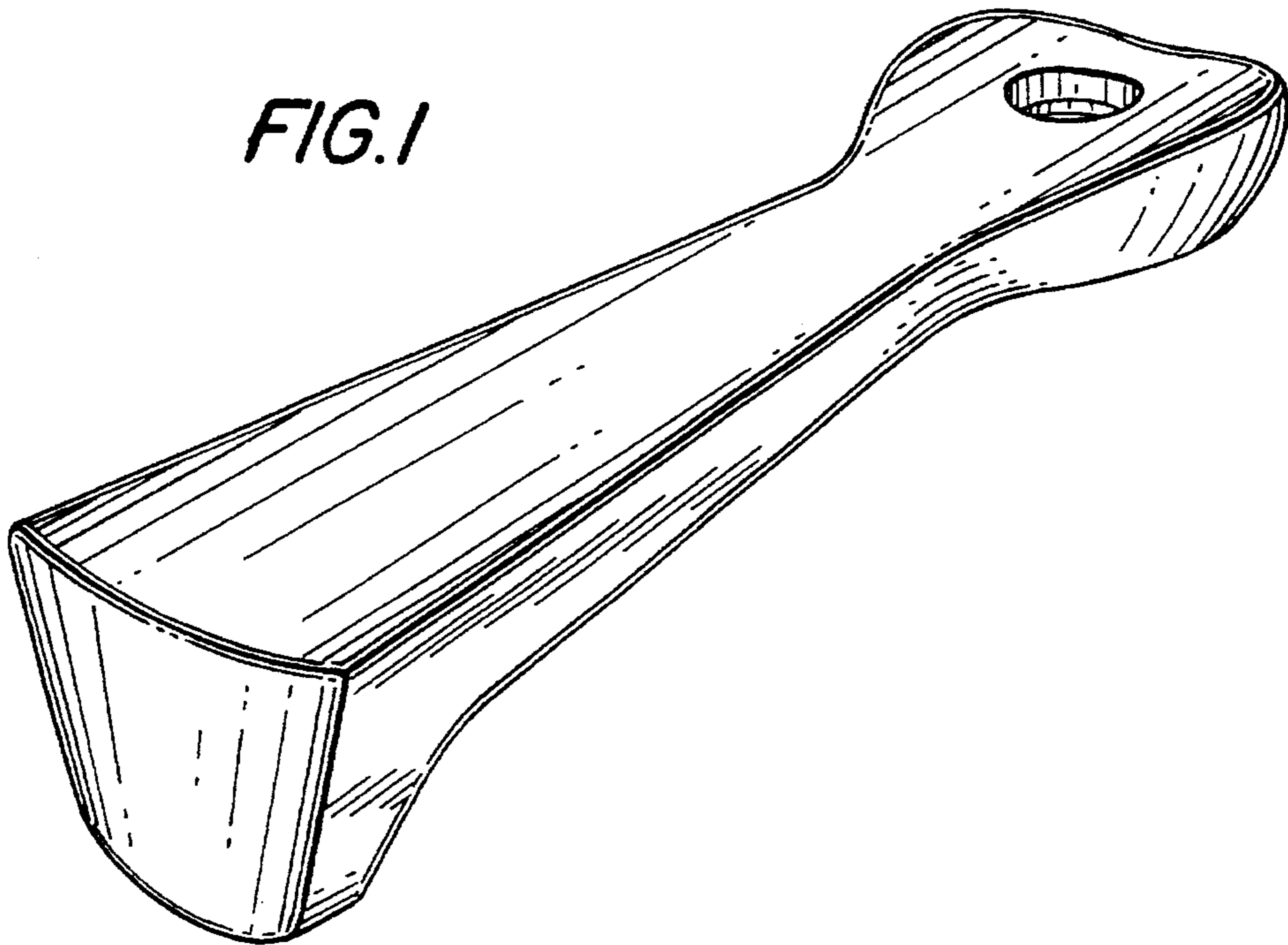


FIG. 2

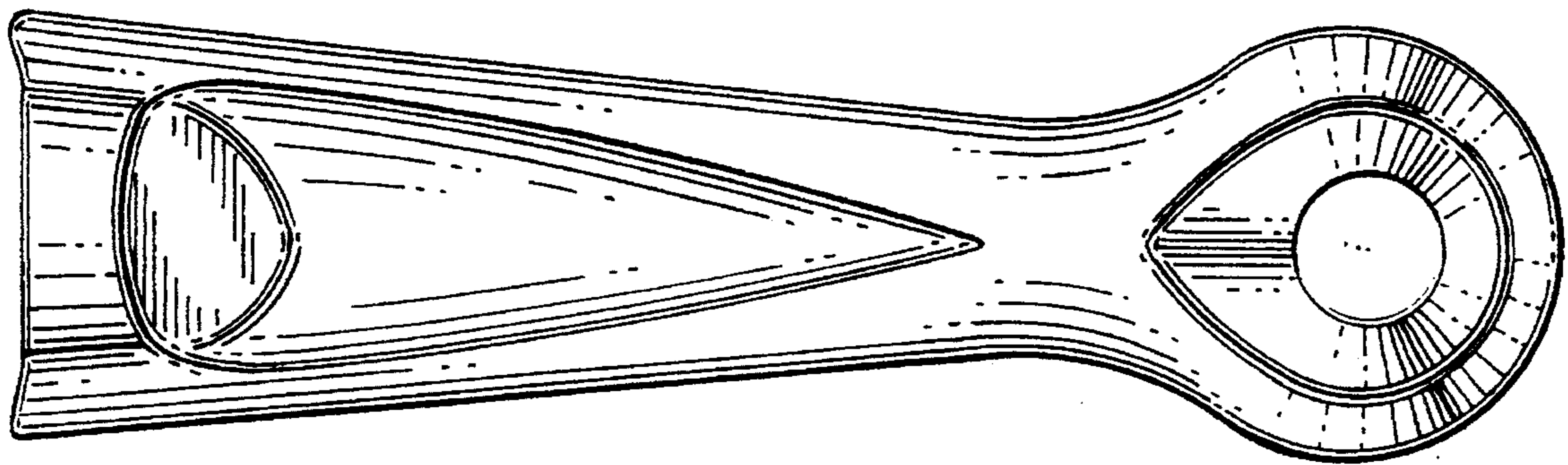


FIG. 3

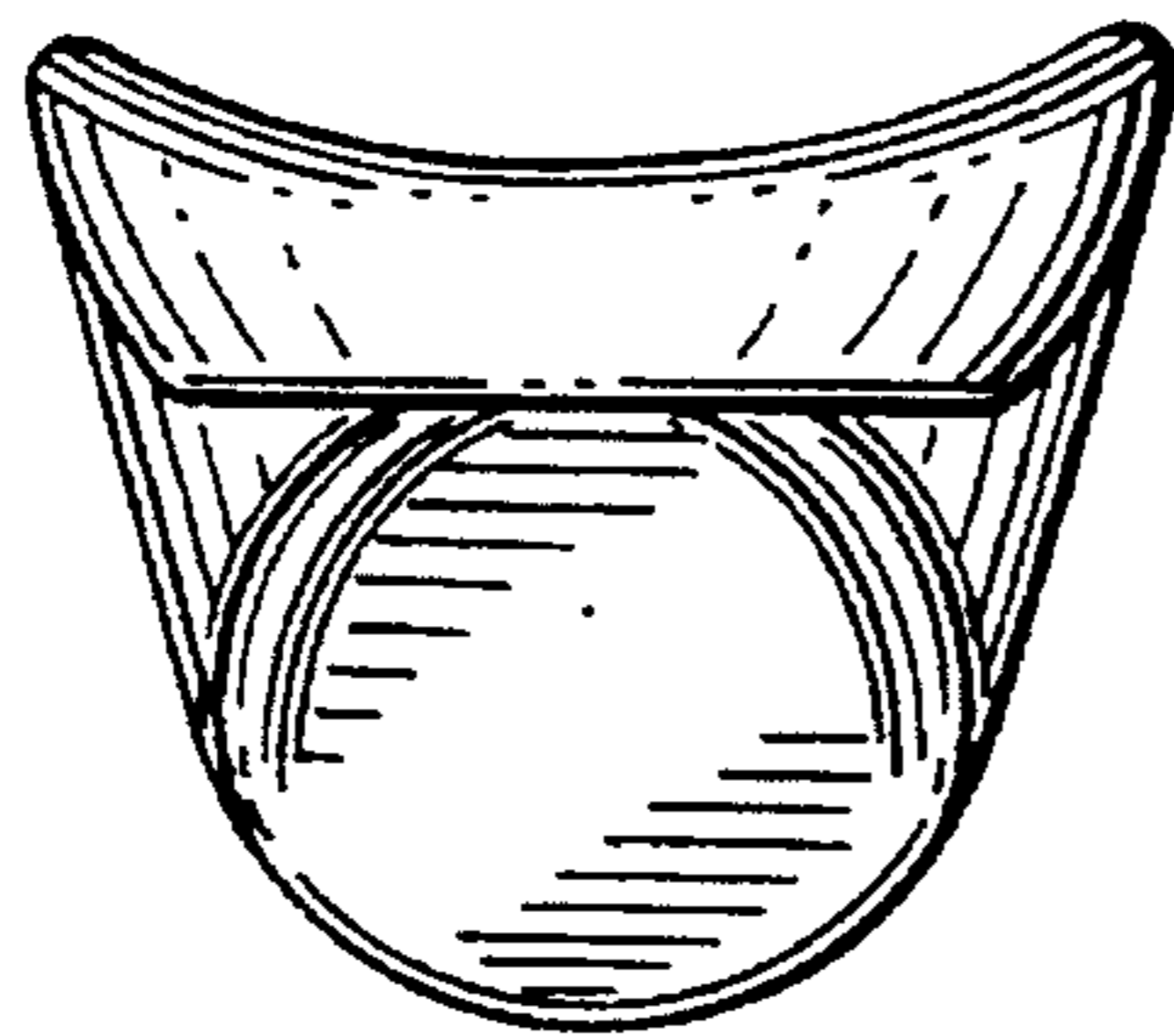


FIG. 4

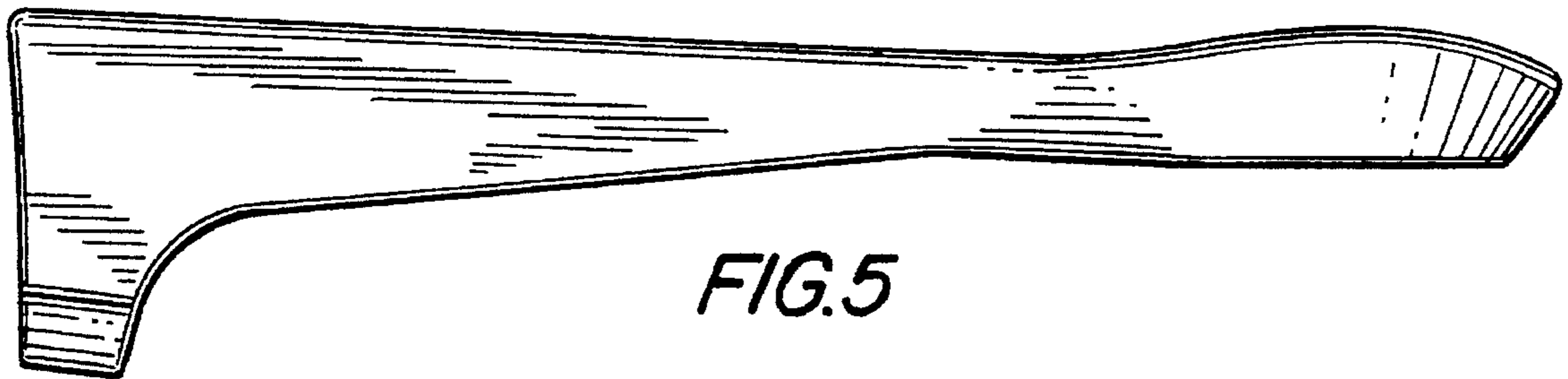
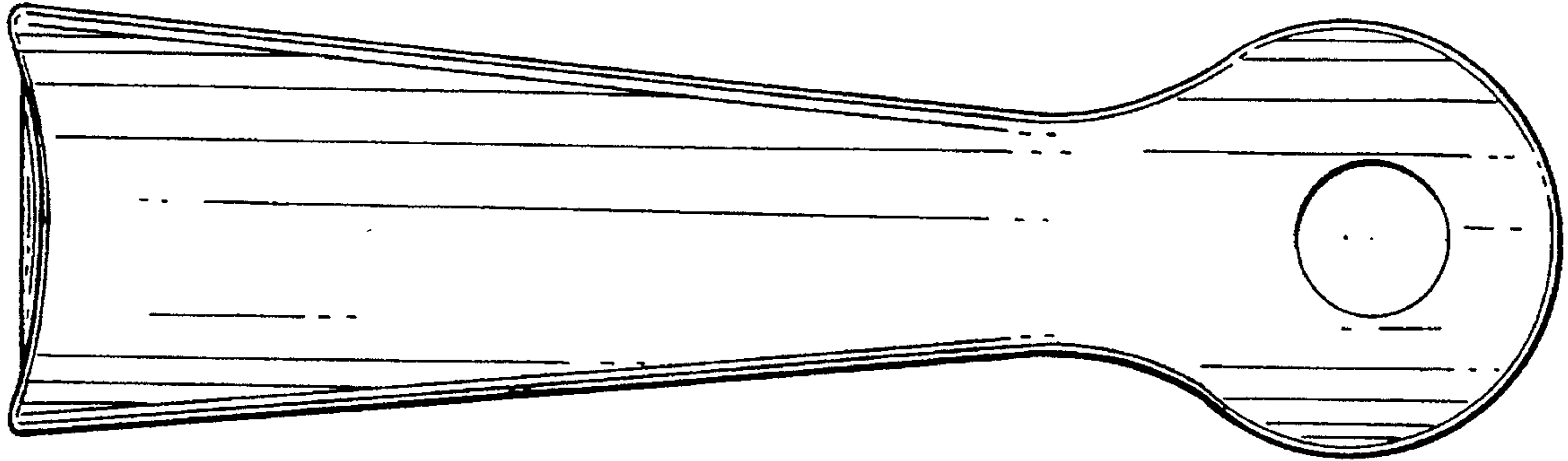


FIG. 5

FIG. 6

