



US00D373925S

# United States Patent [19] Kim

[11] Patent Number: **Des. 373,925**

[45] Date of Patent: **\*\*Sep. 24, 1996**

[54] **MICROWAVE OVEN**

D. 338,801 8/1993 Hessen et al. .... D7/351

[75] Inventor: **Byung S. Kim**, Seoul, Rep. of Korea

*Primary Examiner*—Ruth McInroy

[73] Assignee: **LG Electronics Inc.**, Seoul, Rep. of Korea

*Attorney, Agent, or Firm*—Danton K. Mak; Steven G. Roeder; Sheldon & Mak, Inc.

[\*\*] Term: **14 Years**

## [57] CLAIM

[21] Appl. No.: **38,629**

The ornamental design of a microwave oven, as shown and described.

[22] Filed: **May 5, 1995**

## DESCRIPTION

[52] U.S. Cl. .... **D7/351**

FIG. 1 is a front perspective view of a microwave oven showing my new design;

[58] Field of Search ..... D7/350, 351; 126/275 R, 126/275 E, 19 M, 21 A; 219/391, 402, 10.55 R, 10.55 A, 756-758

FIG. 2 is a front elevational view thereof;

FIG. 3 is a rear elevational view thereof;

FIG. 4 is a left side elevational view thereof;

FIG. 5 is a right side elevational view thereof;

FIG. 6 is a top plan view thereof; and,

FIG. 7 is a bottom plan view thereof.

## [56] References Cited

### U.S. PATENT DOCUMENTS

D. 305,597	1/1990	Yoo	.....	D7/351
D. 318,397	7/1991	Jung	.....	D7/351
D. 329,164	9/1992	Edman	.....	D7/351

**1 Claim, 4 Drawing Sheets**

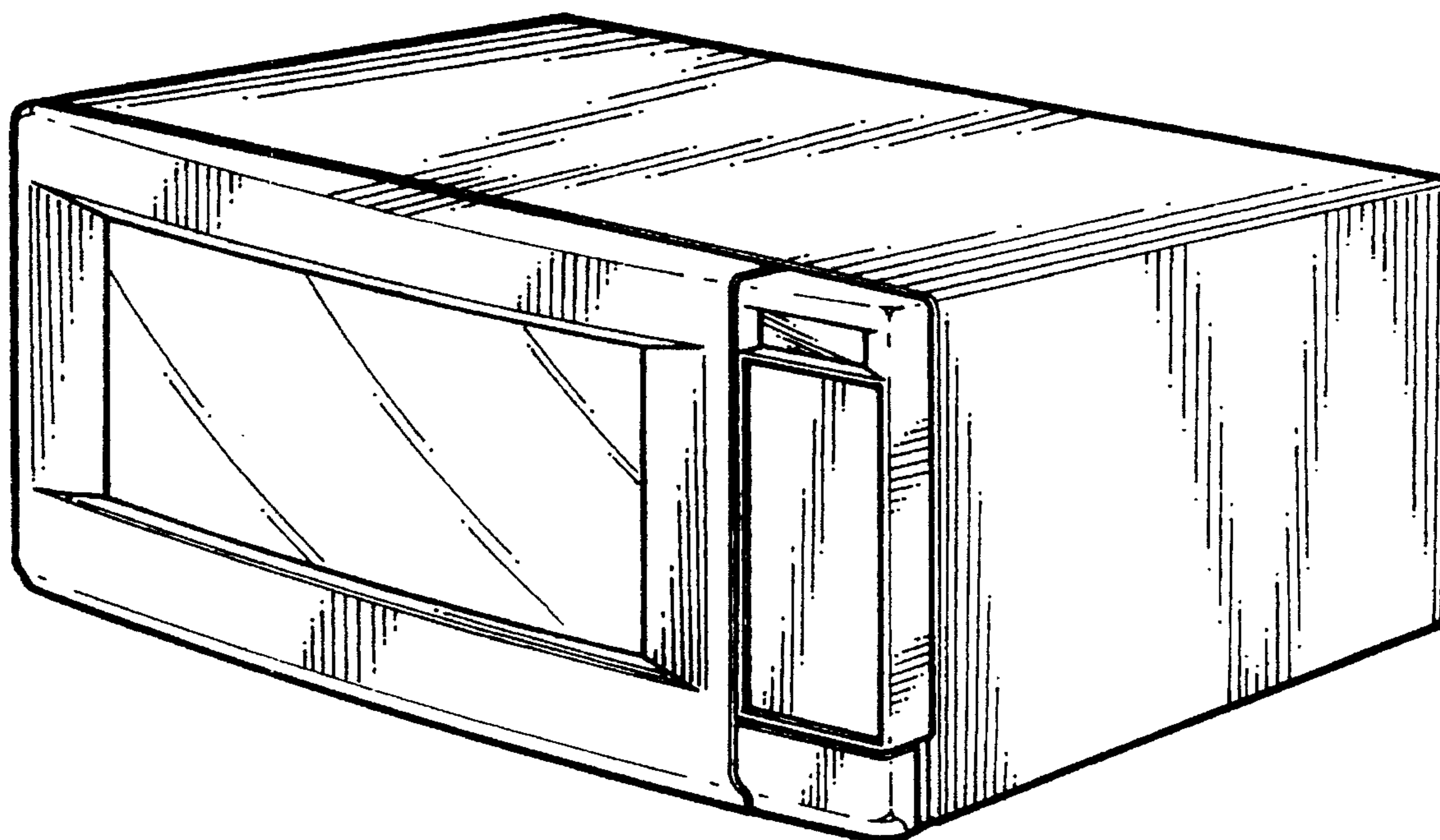


FIG. 1

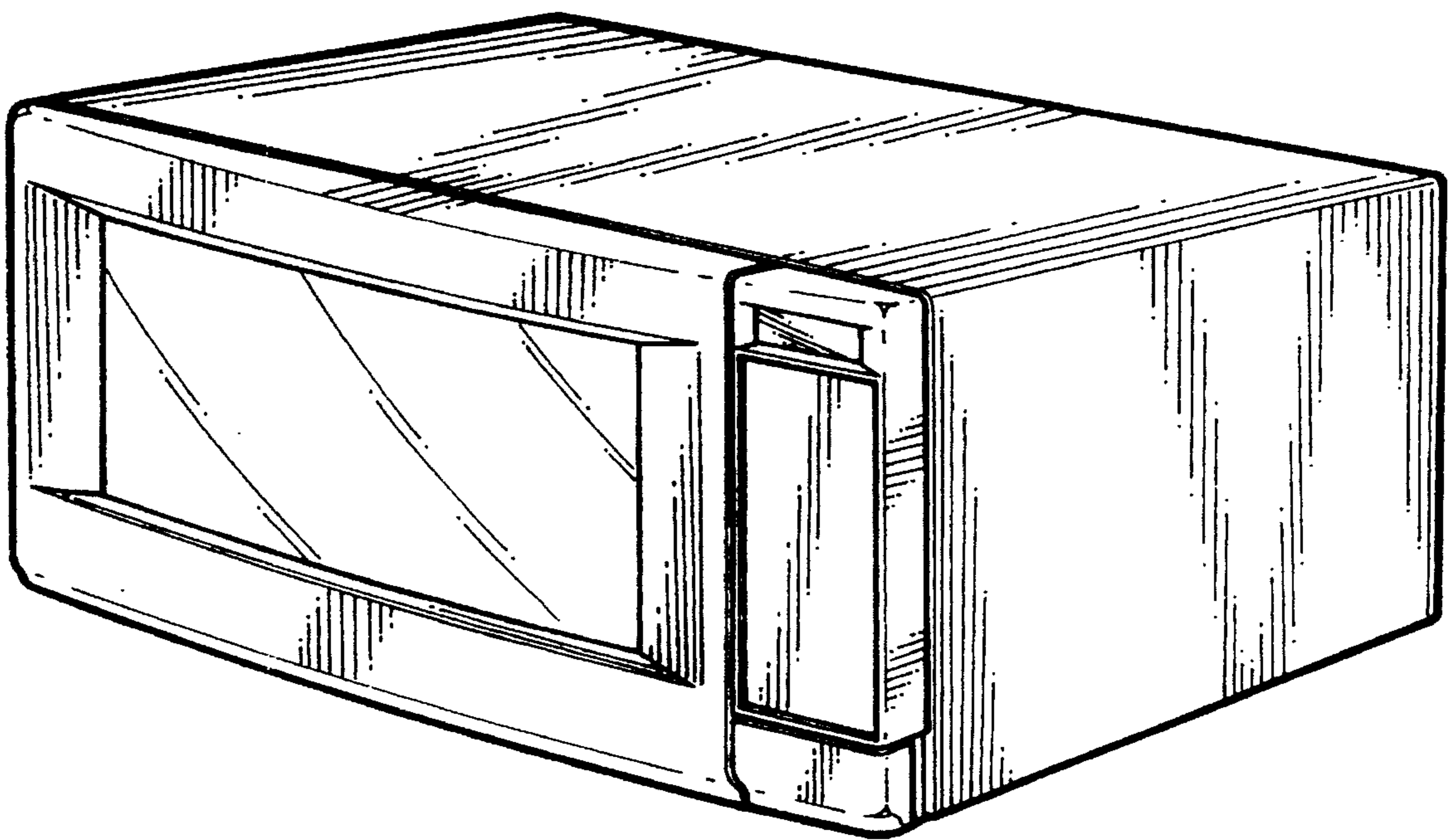


FIG. 2

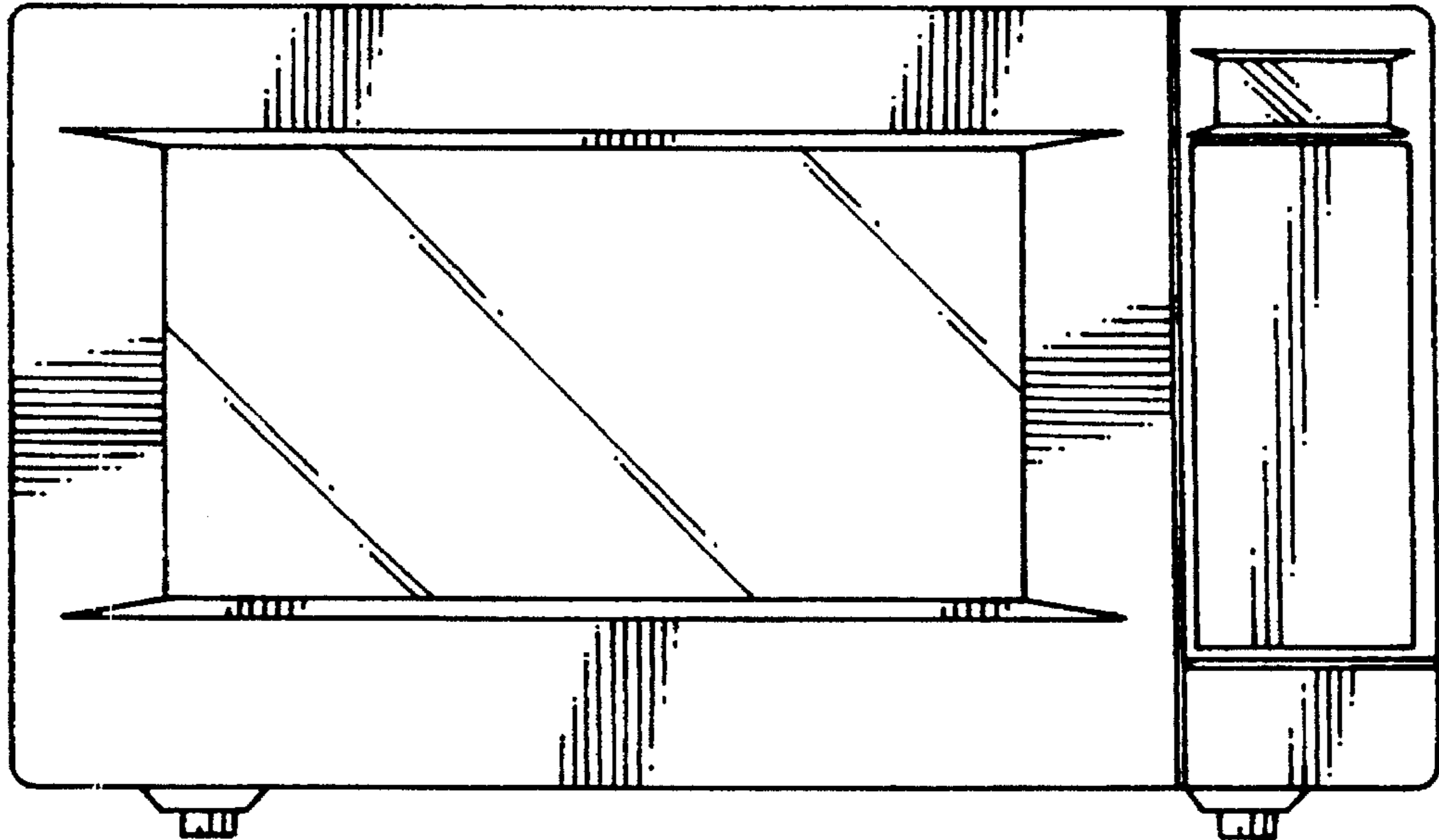
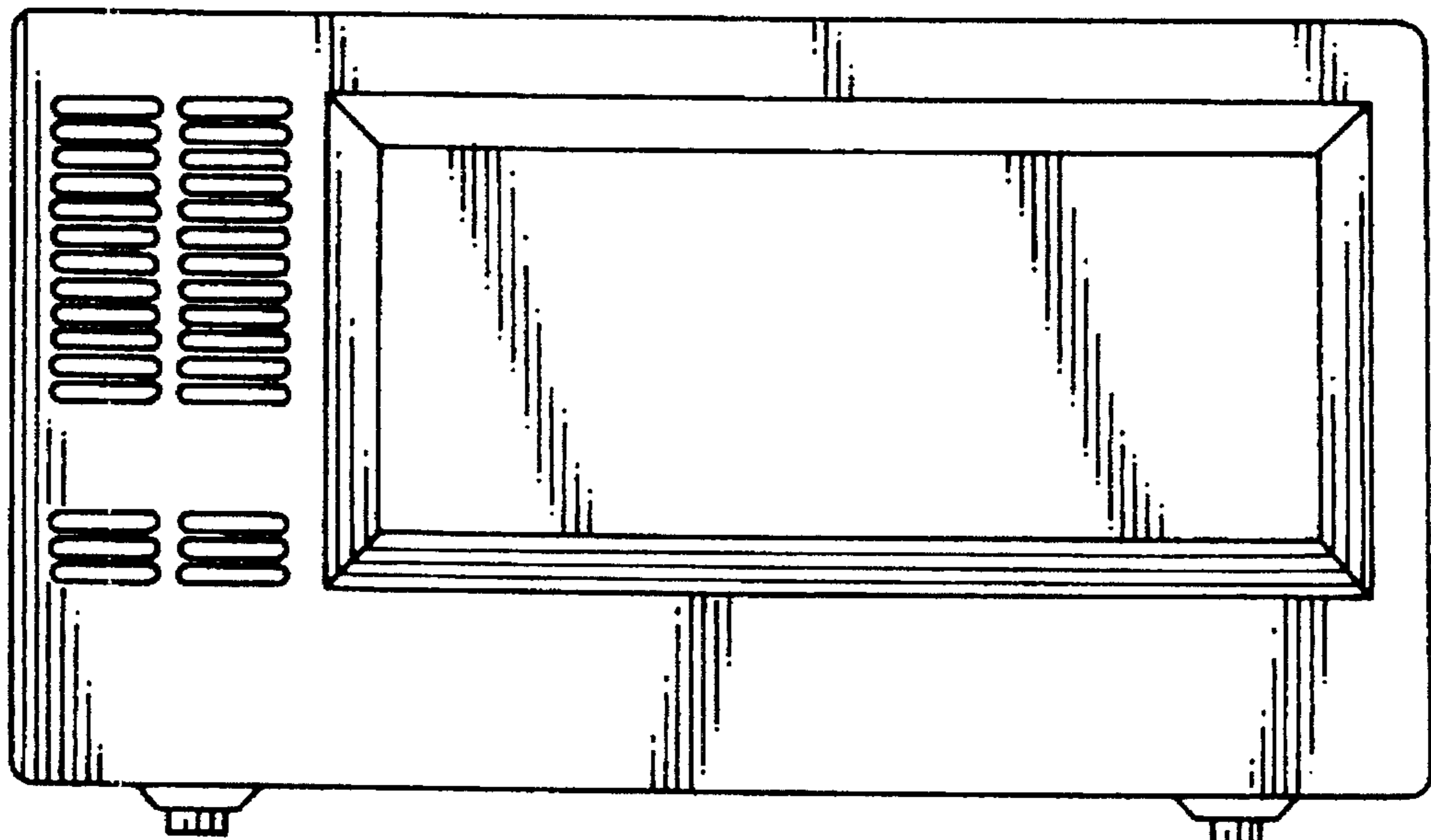
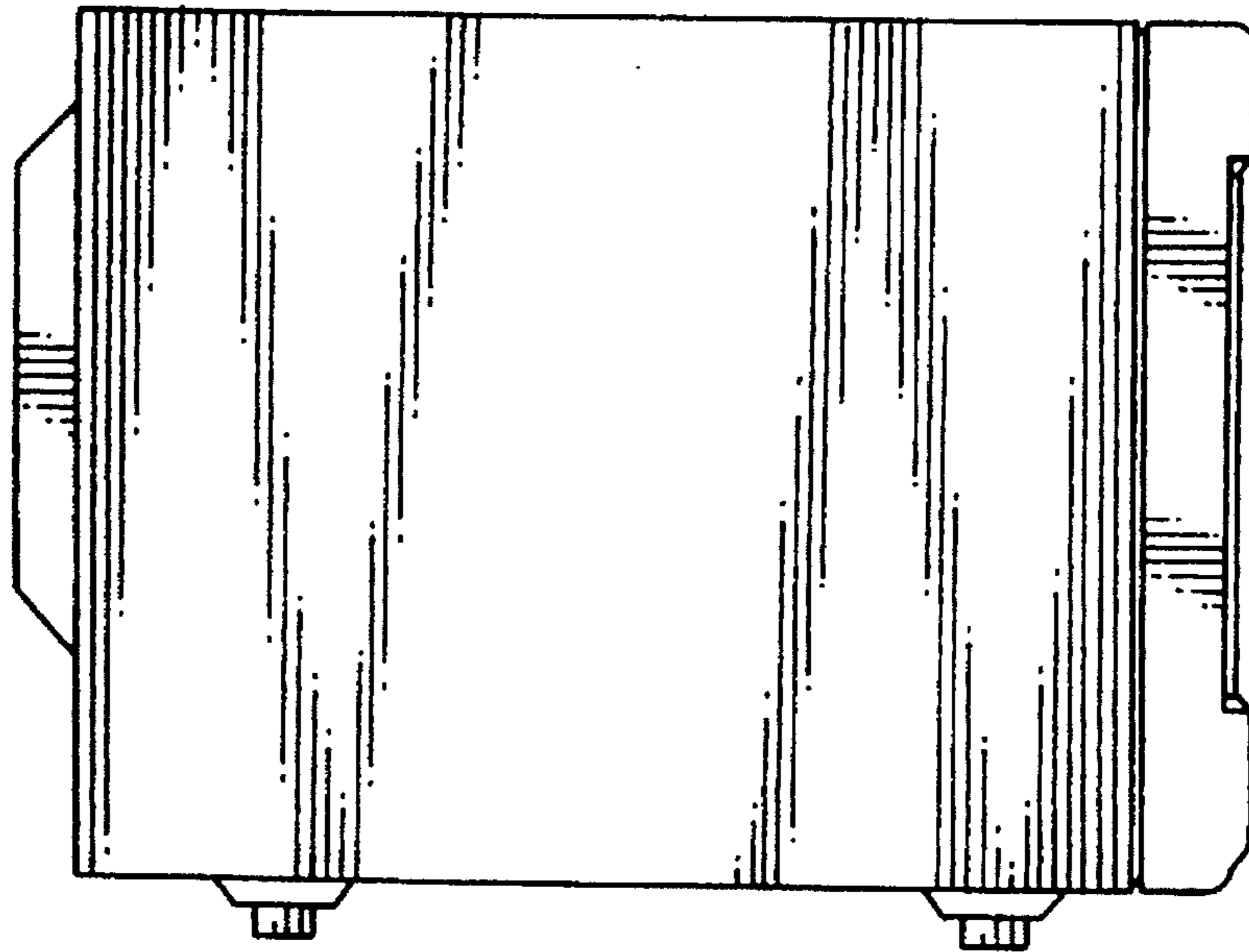


FIG. 3



**FIG. 4**



**FIG. 5**

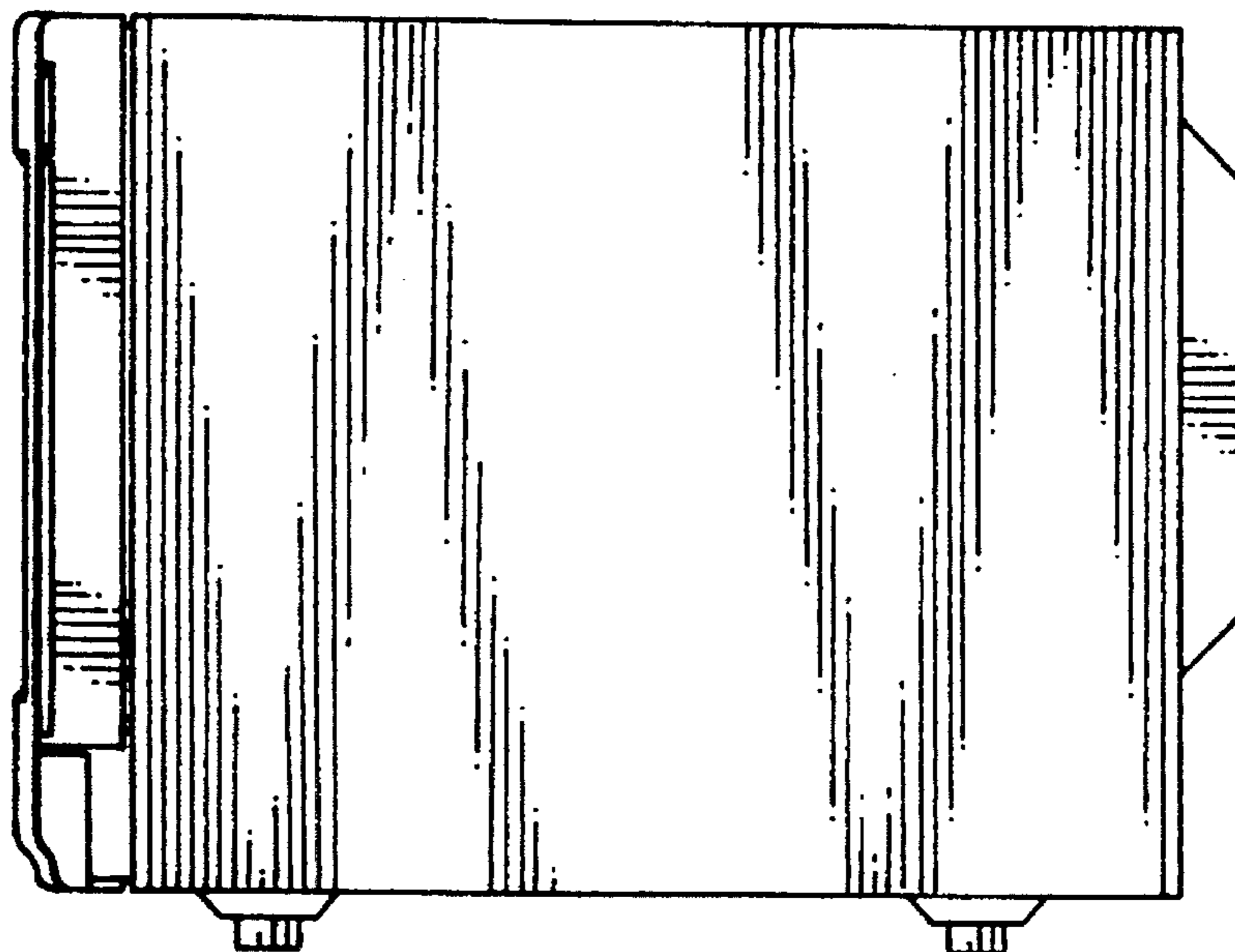


FIG. 6

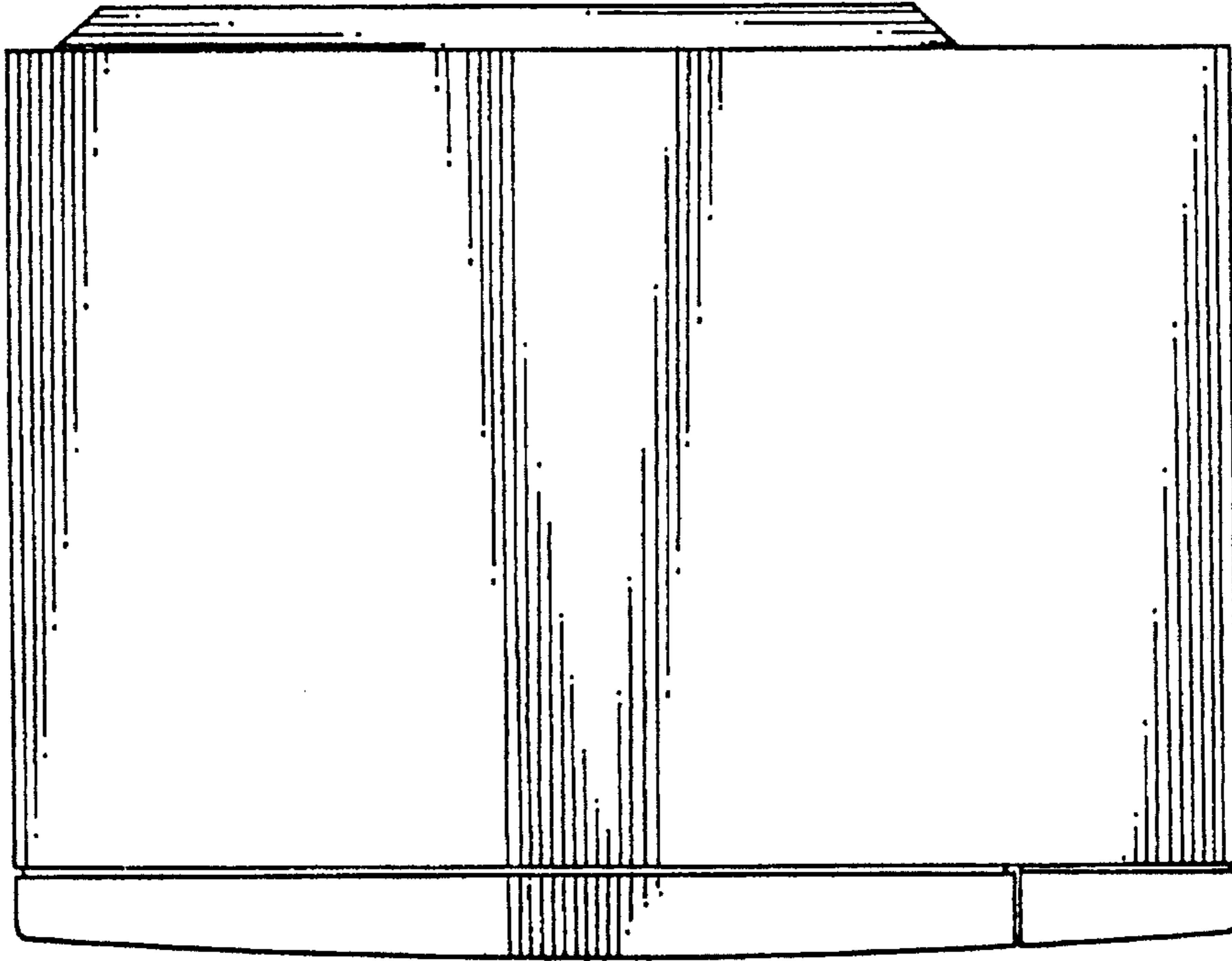


FIG. 7

