



US00D373924S

United States Patent [19]
Tralongo

[11] **Patent Number: Des. 373,924**
[45] **Date of Patent: **Sep. 24, 1996**

[54] **SOLAR POWERED COOKER**

[76] Inventor: **Frank Tralongo**, 212 Benjamin St.,
Schenectady, N.Y. 12303

[**] Term: **14 Years**

[21] Appl. No.: **43,094**

[22] Filed: **Aug. 25, 1995**

[52] U.S. Cl. **D7/324; 126/682**

[58] Field of Search **D7/324, 361, 359;**
126/687, 682

[56] **References Cited**

U.S. PATENT DOCUMENTS

117,476	7/1871	Sperry	126/681
3,025,851	3/1962	Steinberg	126/682
3,106,201	10/1963	Steinberg	126/682
4,850,339	7/1989	Ghatak	126/681
5,139,010	8/1992	Borgens, Jr. et al.	126/682

Primary Examiner—Louis S. Zarfes

Assistant Examiner—Frank Martinez

Attorney, Agent, or Firm—Harold H. Dutton, Jr.; W. Charles
L. Jamison; Diane F. Liebman

[57] **CLAIM**

The ornamental design for a solar powered cooker, as shown.

DESCRIPTION

FIG. 1 is a perspective view of a solar powered cooker showing my new design;

FIG. 2 is a top view thereof;

FIG. 3 is a bottom view thereof;

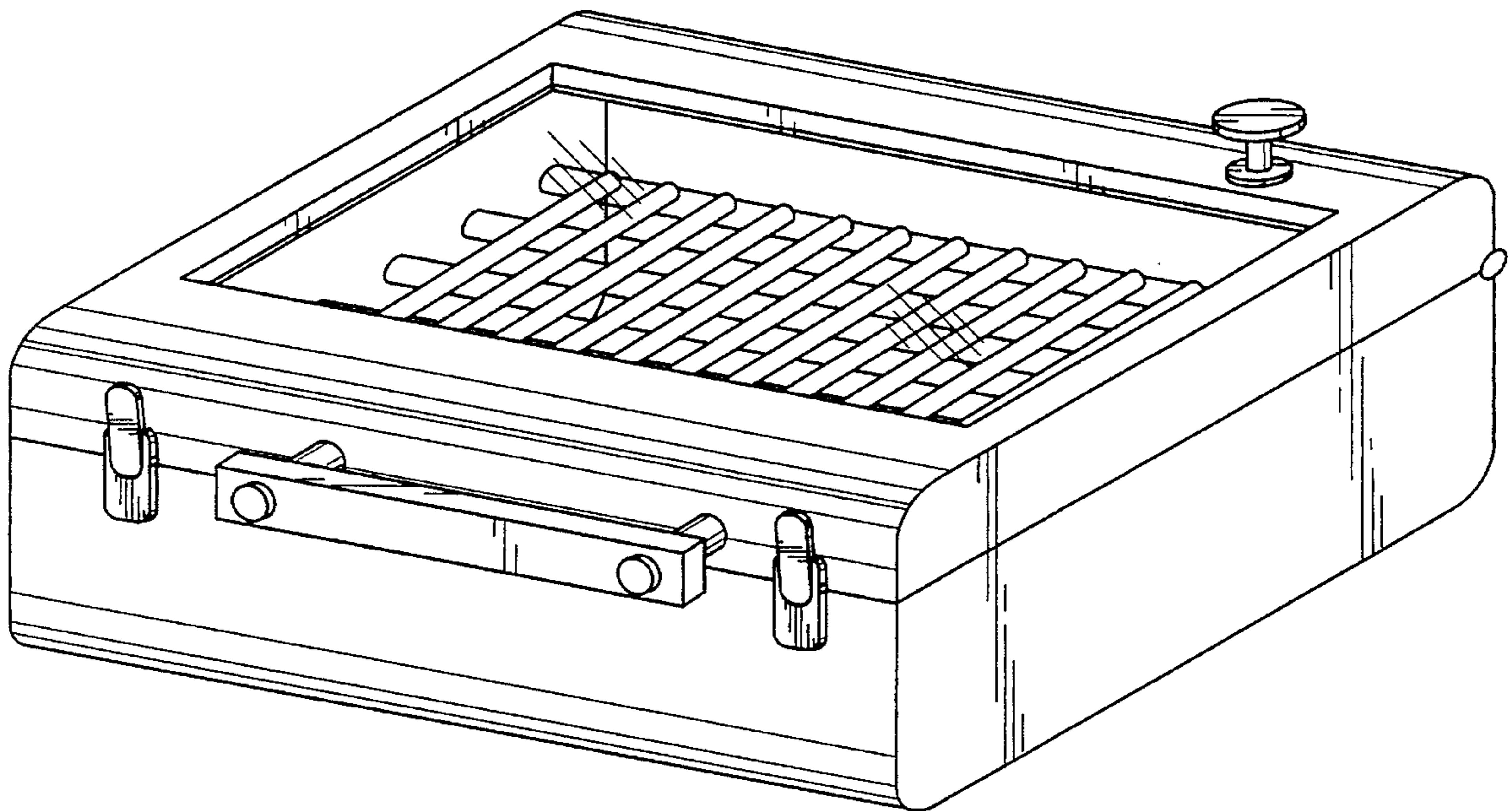
FIG. 4 is a front view thereof;

FIG. 5 is a rear view thereof; and,

FIG. 6 is a right side view thereof.

The side opposite to that shown in FIG. 6 is a mirror image thereof.

1 Claim, 4 Drawing Sheets



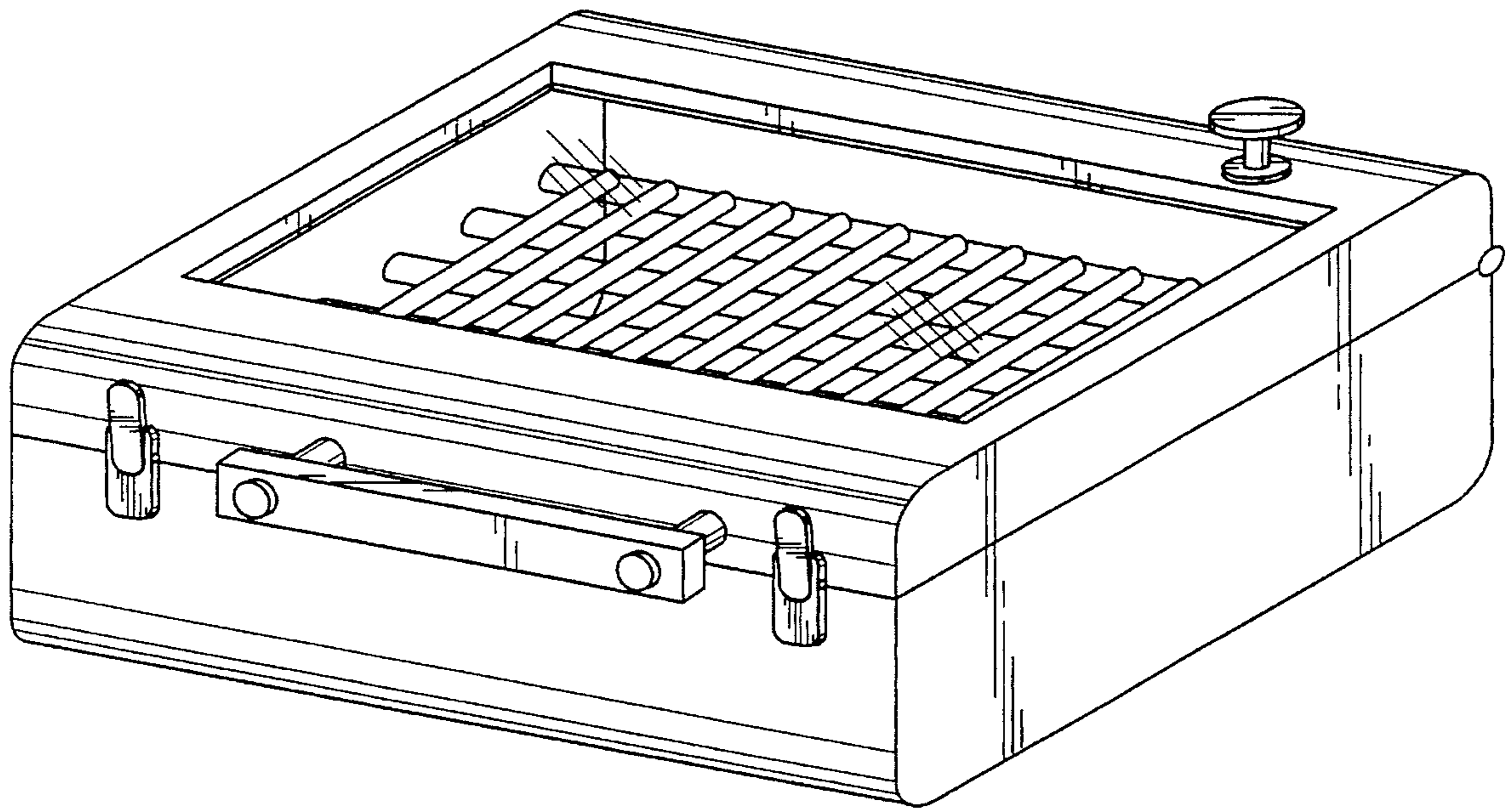


FIG. 1

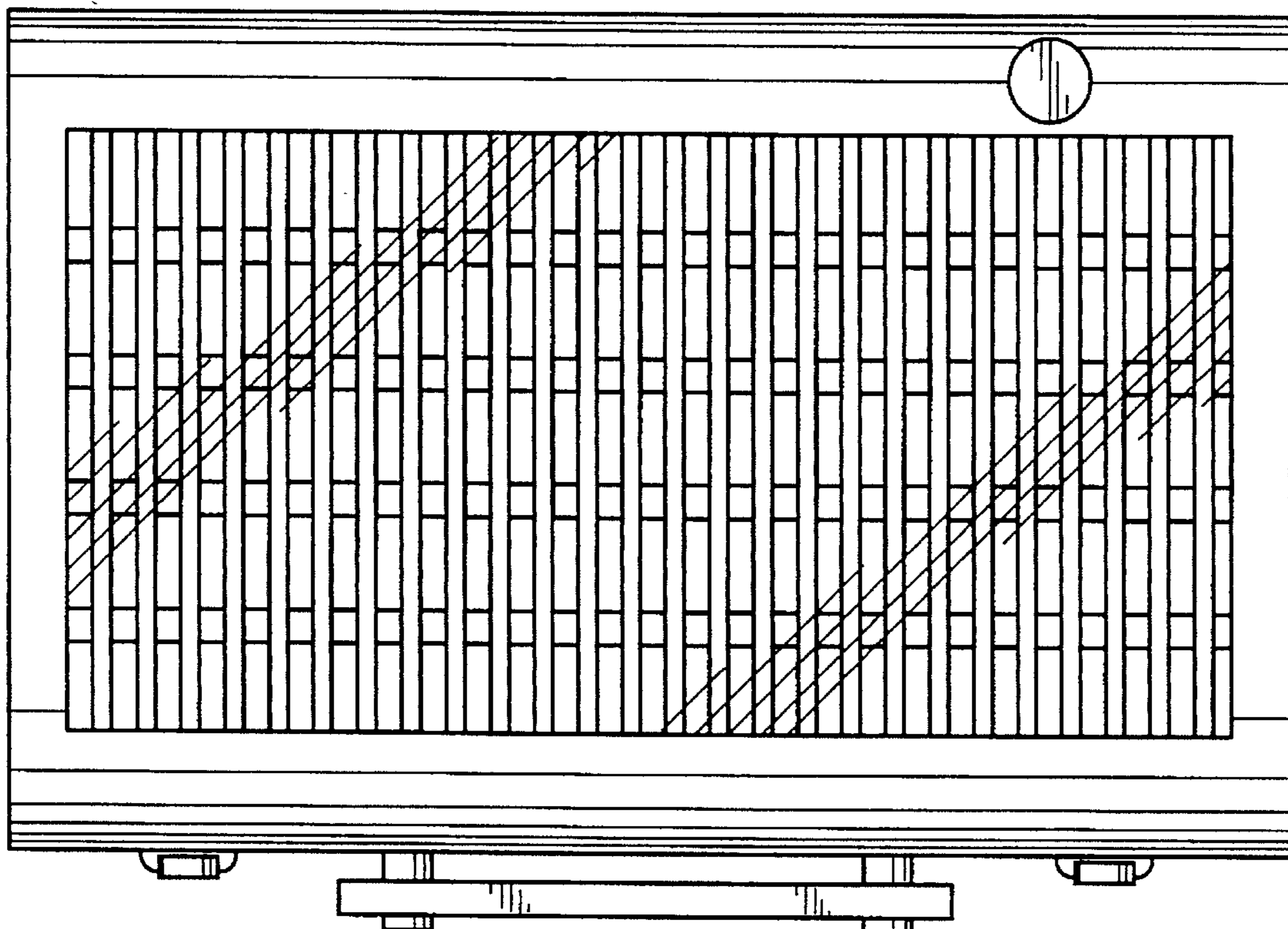


FIG. 2

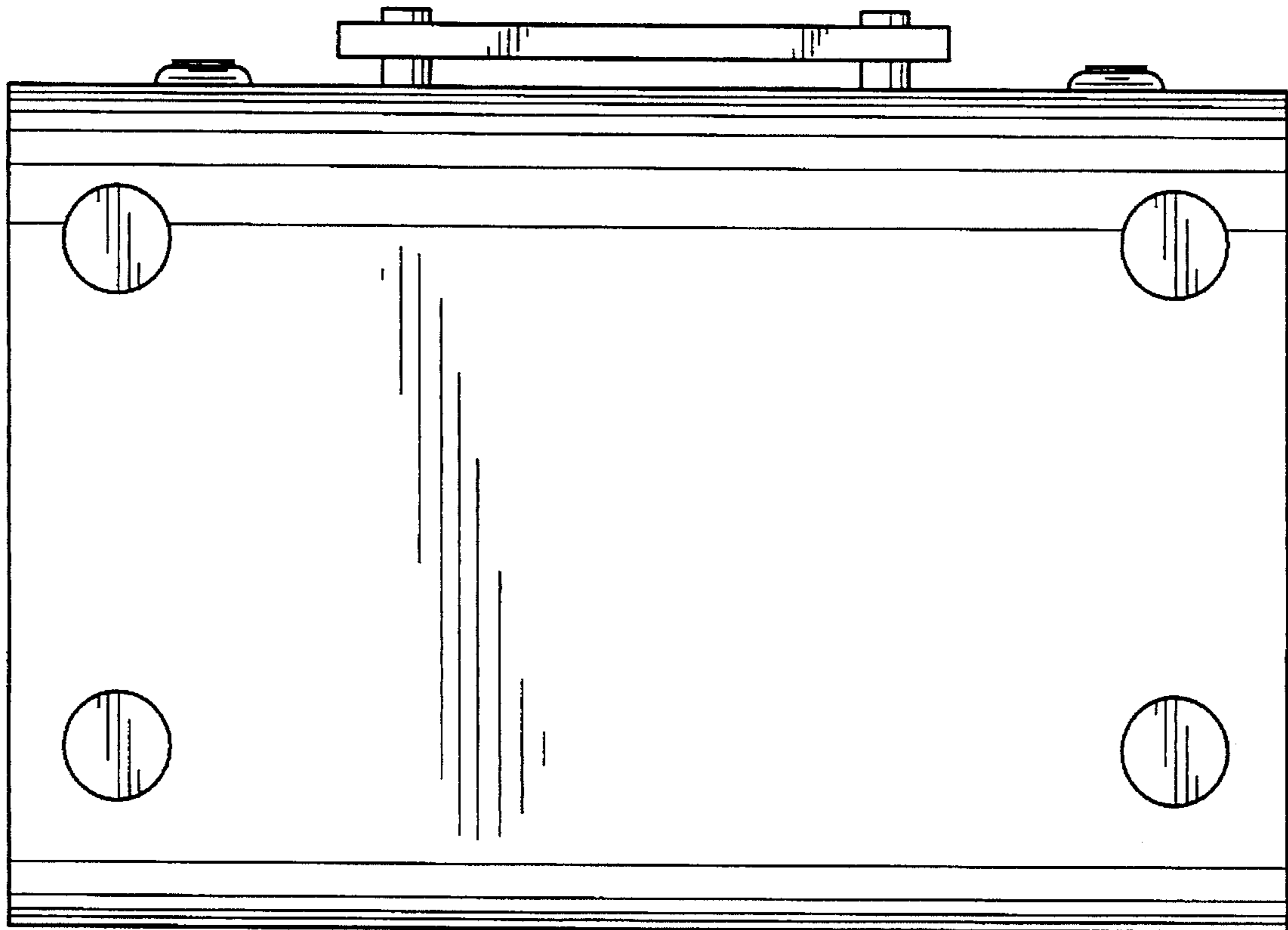


FIG. 3

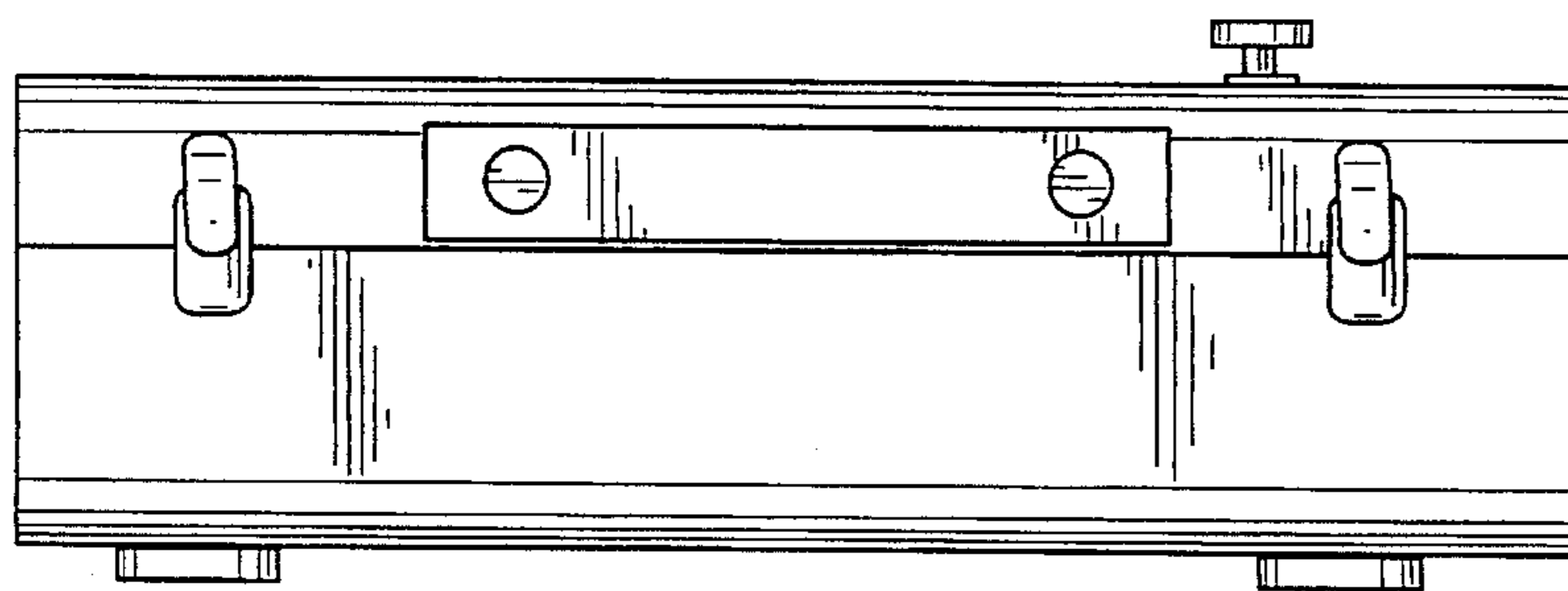


FIG. 4

FIG. 5

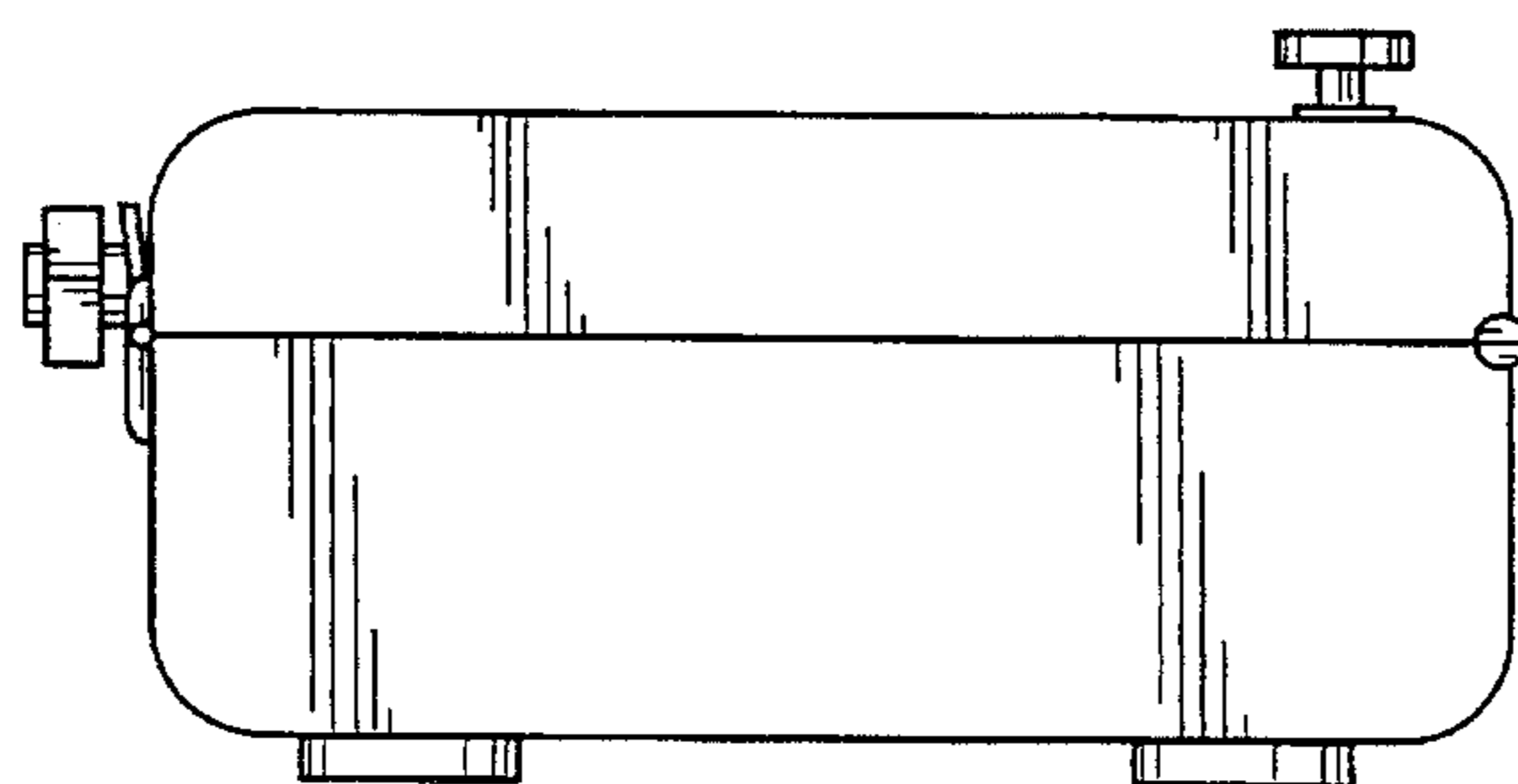
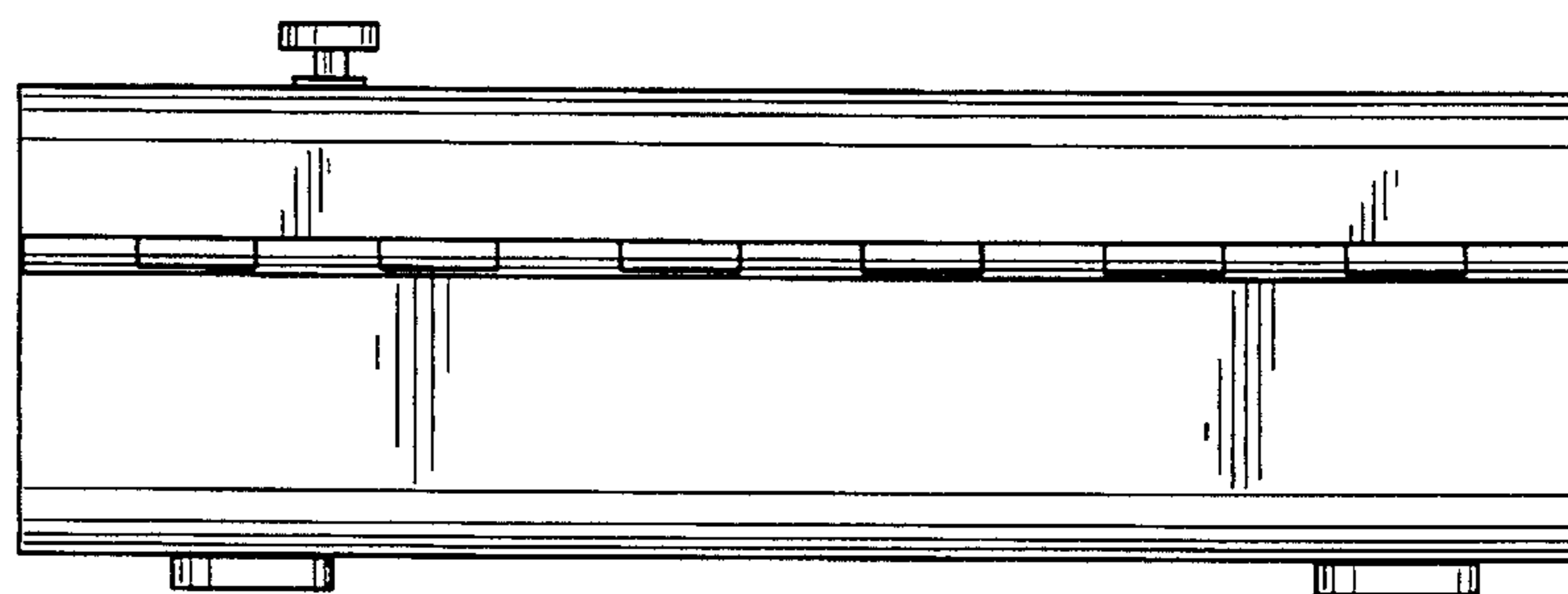


FIG. 6