



US00D373921S

# United States Patent [19]

[11] Patent Number: **Des. 373,921**

Palomo et al.

[45] Date of Patent: **\*\*Sep. 24, 1996**

[54] **COMBINED UNIVERSAL SPINE DRAPE AND ANESTHESIA SCREEN**

[75] Inventors: **Joseph A. Palomo**, Ingleside; **Nancy L. Walker**; **Donna L. Christofel**, both of Evanston, all of Ill.

[73] Assignee: **Baxter International, Inc.**, Deerfield, Ill.

[\*\*] Term: **14 Years**

[21] Appl. No.: **20,298**

[22] Filed: **Mar. 23, 1994**

[52] U.S. Cl. .... **D6/602**; D6/596; D24/189

[58] Field of Search ..... D6/596, 595, 602; D2/823, 720, 728, 860, 861; 128/853, 854; D24/184, 189; 2/114, 914, 915

[56] **References Cited**

**U.S. PATENT DOCUMENTS**

D. 333,404	2/1993	Thompson	.....	D6/602
3,575,407	4/1971	Carson	.....	128/849
4,586,498	5/1986	Morris	.....	128/853
5,345,946	9/1994	Butterworth et al.	.....	128/853

Primary Examiner—Lisa P. Lichtenstein  
Attorney, Agent, or Firm—Robert A. Stenzel; Kay H. P. Hannafan

[57] **CLAIM**

The ornamental design for a combined universal spine drape and anesthesia screen, as shown and described.

**DESCRIPTION**

FIG. 1 is a front view of a combined universal spine drape and anesthesia screen;

FIG. 2 is a left side view of the combined universal spine drape and anesthesia screen of FIG. 1;

FIG. 3 is a right side view of the combined universal spine drape and anesthesia screen;

FIG. 4 is a top end view of the combined universal spine drape and anesthesia screen;

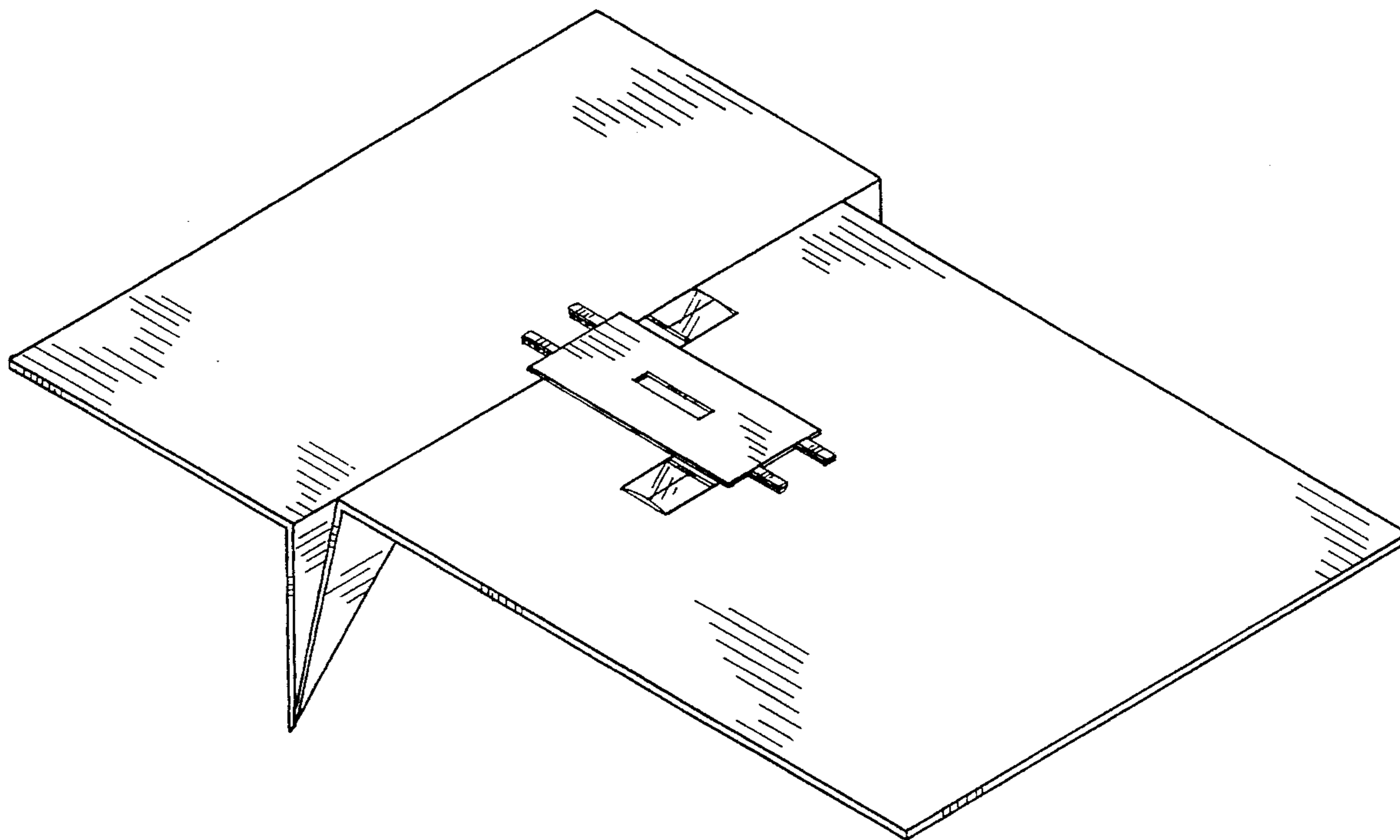
FIG. 5 is a bottom end view of the combined universal spine drape and anesthesia screen;

FIG. 6 is a bottom view of the combined universal spine drape and anesthesia screen;

FIG. 7 is a perspective view of the universal spine drape with an anesthesia screen in the same plane as the body of the drape; and,

FIG. 8 is a perspective view of the universal spine drape with the anesthesia screen extending upwardly.

**1 Claim, 6 Drawing Sheets**



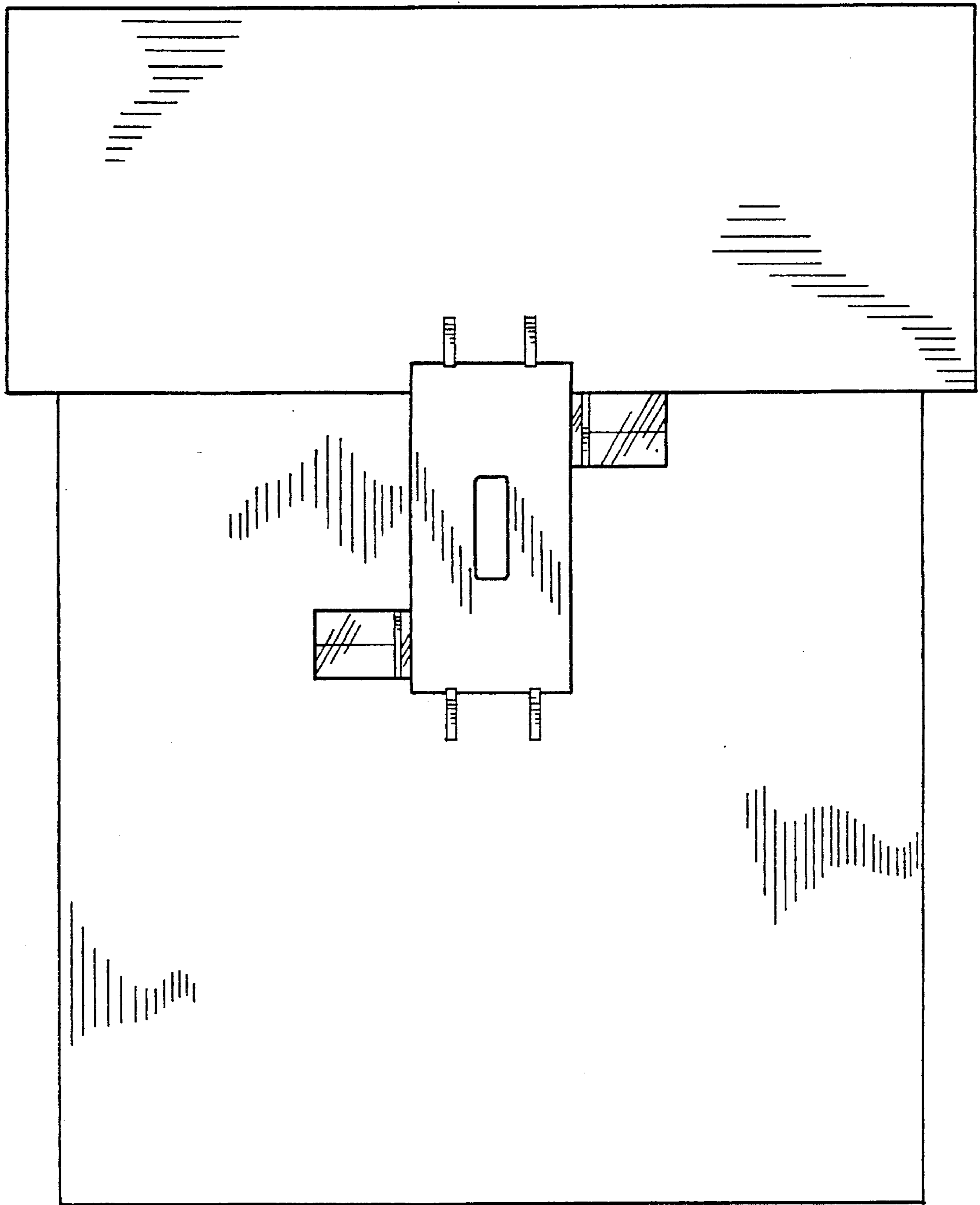


FIG. 1

FIG. 2

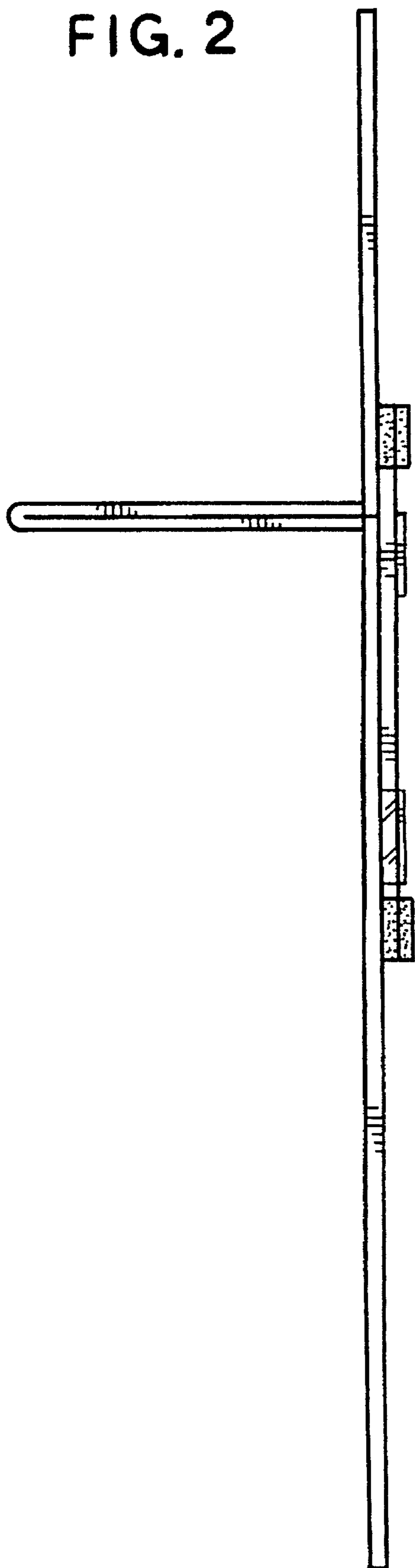
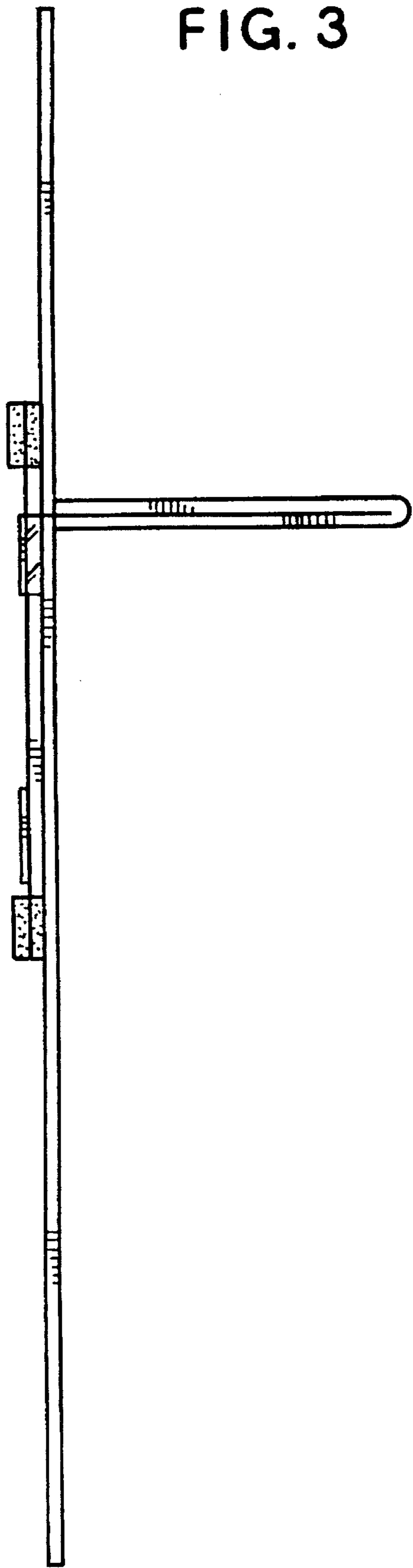
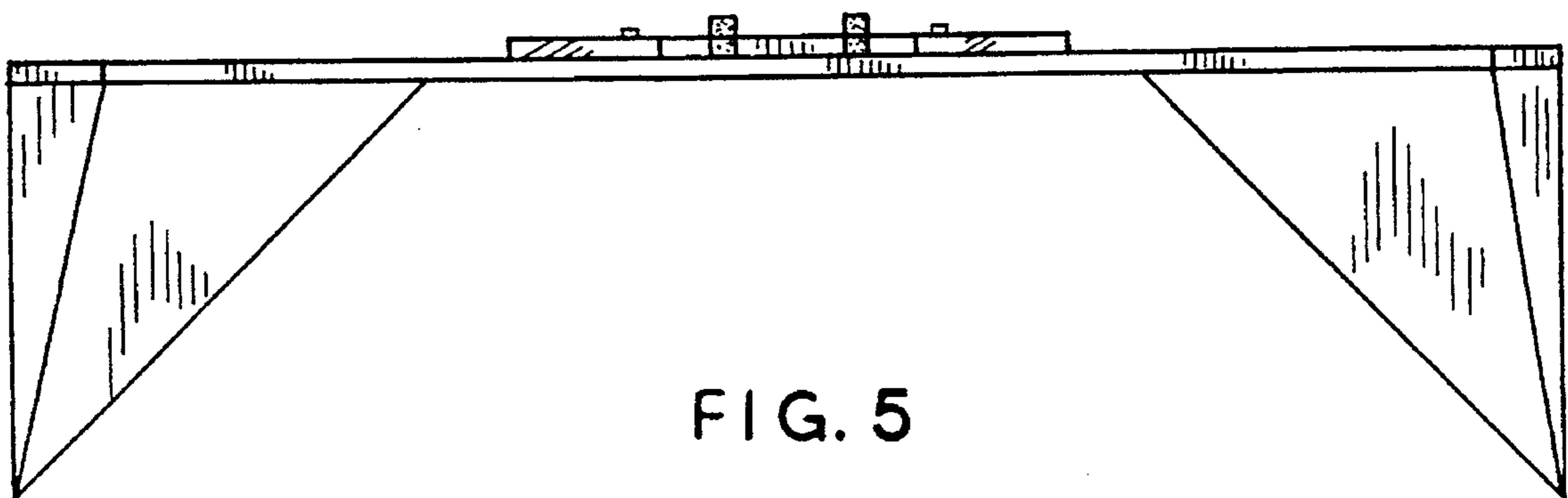
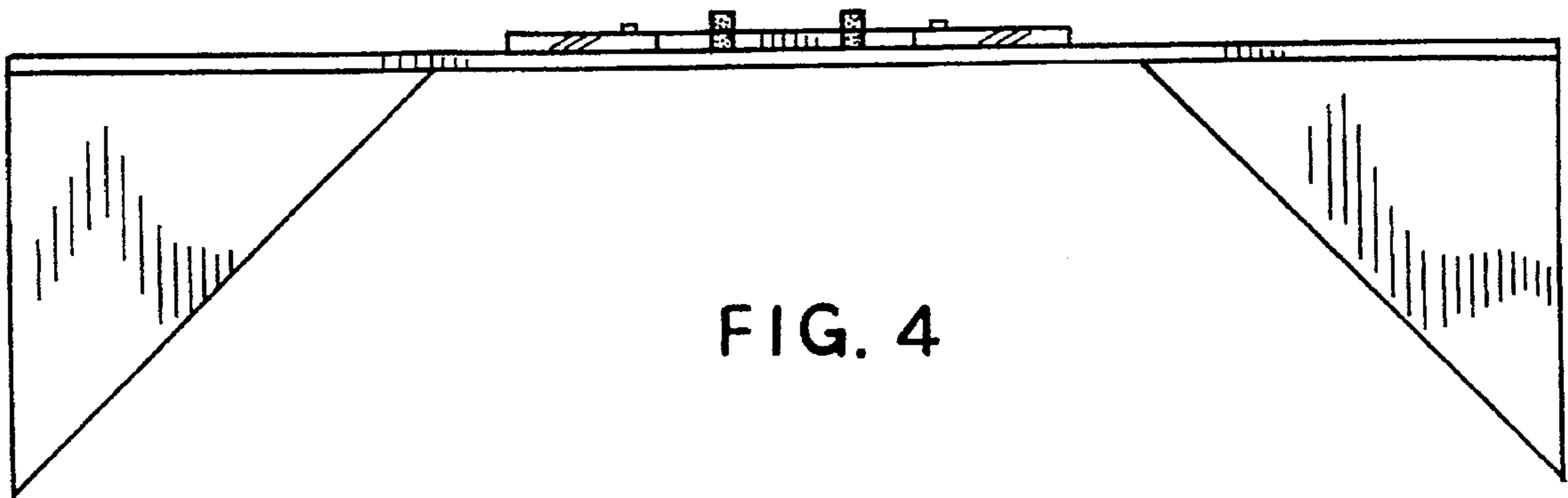


FIG. 3





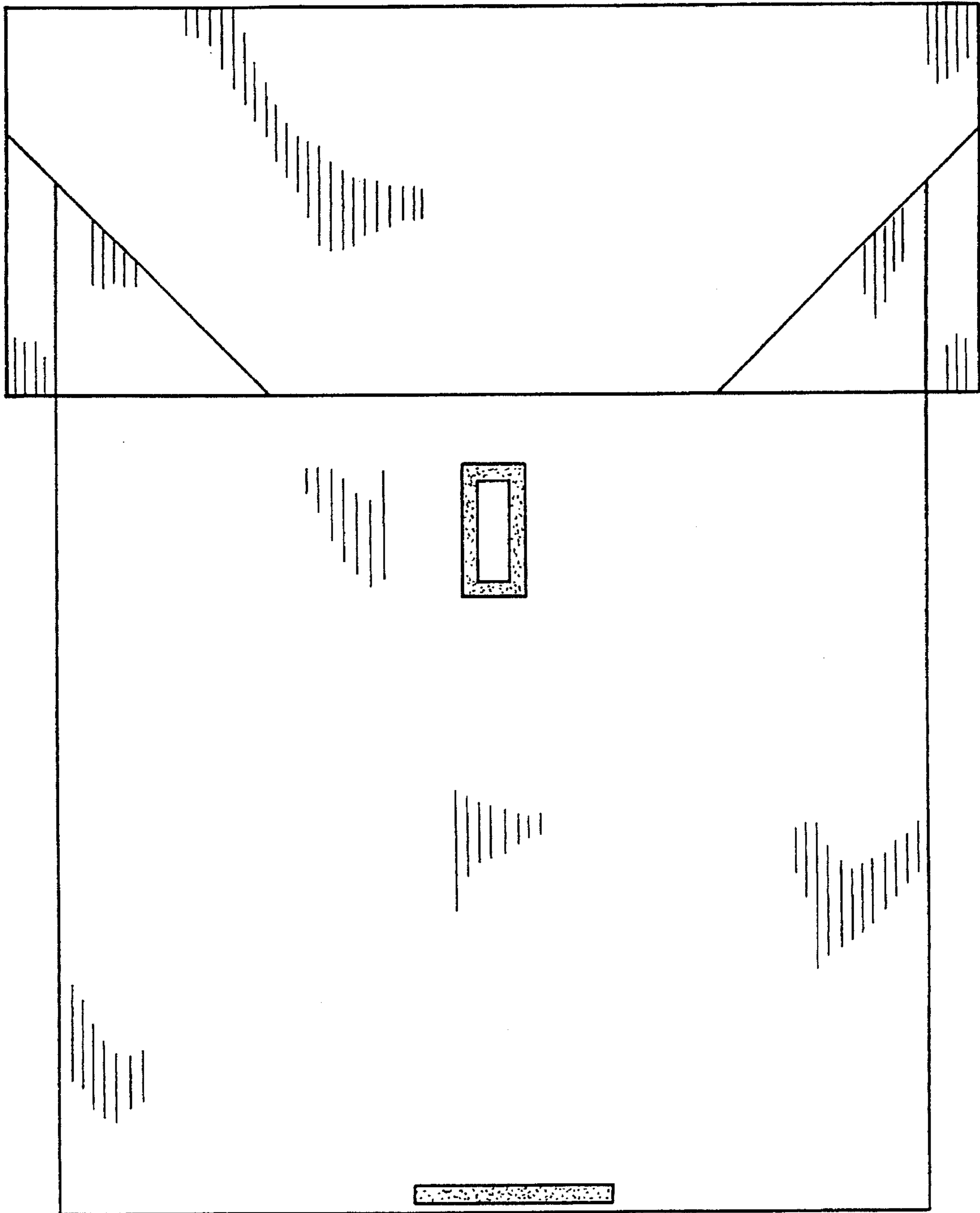


FIG. 6

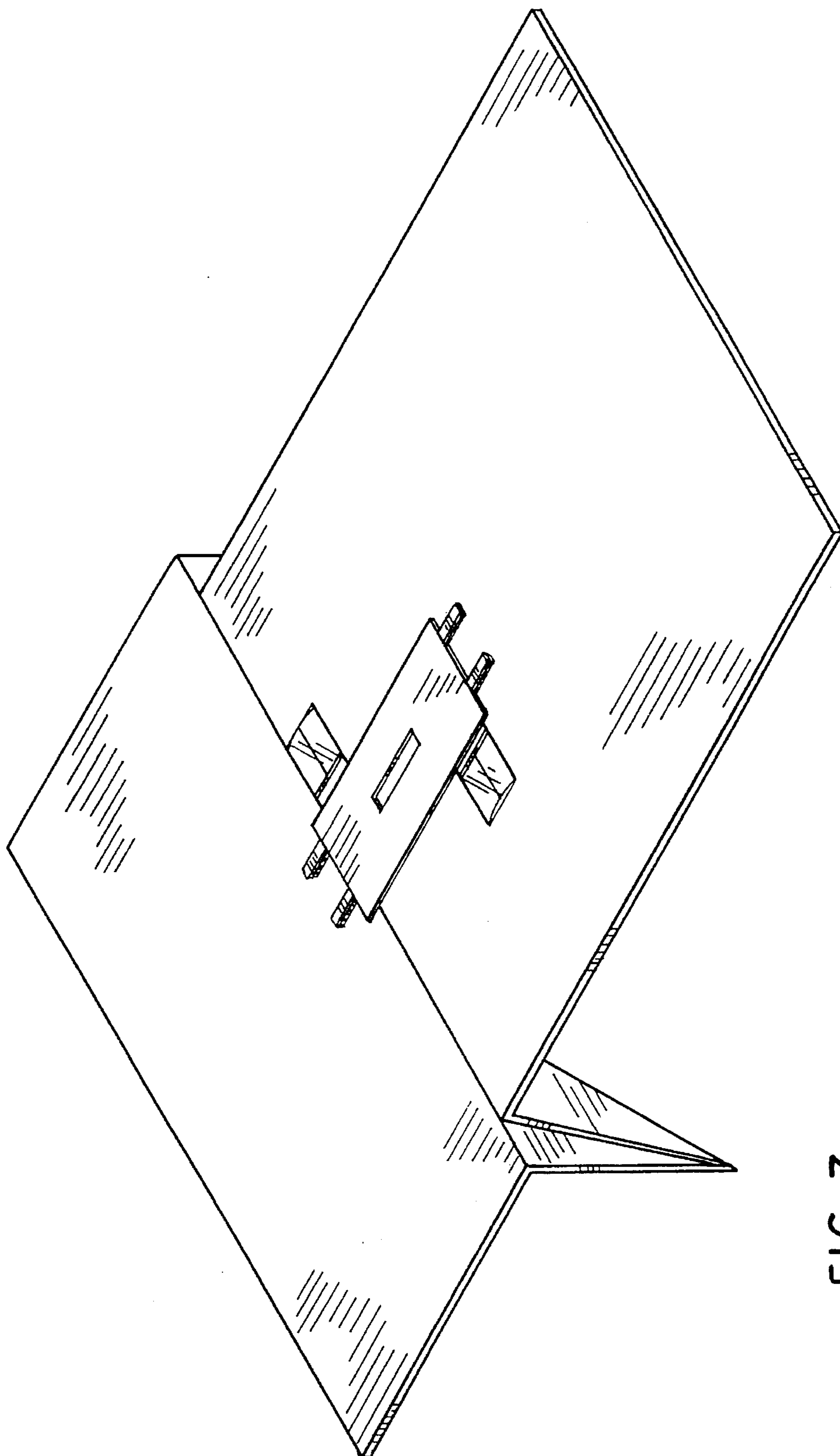


FIG. 7

FIG. 8

