



US00D373915S

# United States Patent [19]

[11] Patent Number: **Des. 373,915**

Lobl et al.

[45] Date of Patent: **\*\*Sep. 24, 1996**

## [54] EXTENSION TABLE FOR A CURVED-END TABLE

[76] Inventors: **Mark Lobl; Laura Lobl**, both of 410 Chateau Dr., Buffalo Grove, Ill. 60089

[\*\*] Term: **14 Years**

[21] Appl. No.: **32,613**

[22] Filed: **Dec. 22, 1994**

[52] U.S. Cl. .... **D6/482; D6/487**

[58] Field of Search ..... D6/480-489, 429, D6/495-499; 108/150, 153, 156, 161, 65, 66, 127; 248/188.8

### [56] References Cited

#### U.S. PATENT DOCUMENTS

D. 359,405	6/1995	Ball	.....	D6/482
5,146,855	9/1992	Morgan	.....	D6/480 X
5,341,750	8/1994	Fuchs	.....	108/66 X
5,394,808	3/1995	Dutro et al.	.....	108/127 X

#### FOREIGN PATENT DOCUMENTS

2704123	10/1994	France	.....	108/66
---------	---------	--------	-------	--------

#### OTHER PUBLICATIONS

Virco Catalog, c1983, p. 27, #B at center.

Primary Examiner—Janice E. Seeger  
Attorney, Agent, or Firm—Siegmar Silber

## [57] CLAIM

The ornamental design for a extension table for a curved-end table, as shown and described.

## DESCRIPTION

FIG. 1 is a perspective view of an extension table for a curved-end table, showing our new design in erected condition, the broken lines are for environmental purposes only and form no part of the claimed design;

FIG. 2 is a top plan view of FIG. 1;

FIG. 3 is a front elevational view of FIG. 1;

FIG. 4 is a left side elevational view of FIG. 1;

FIG. 5 is a rear elevational view of FIG. 1;

FIG. 6 is a bottom plan view view of FIG. 1, but shown in the folded condition;

FIG. 7 is a top plan view of a second embodiment of the extension table for a curved-end table of this invention, similar to that of FIG. 1, but adapted for use with a round table;

FIG. 8 is a front elevational view of FIG. 7;

FIG. 9 is a left side elevational view of FIG. 7;

FIG. 10 is a rear elevational view of FIG. 7; and,

FIG. 11 is a bottom plan view of FIG. 7, but shown in the folded condition.

**1 Claim, 5 Drawing Sheets**

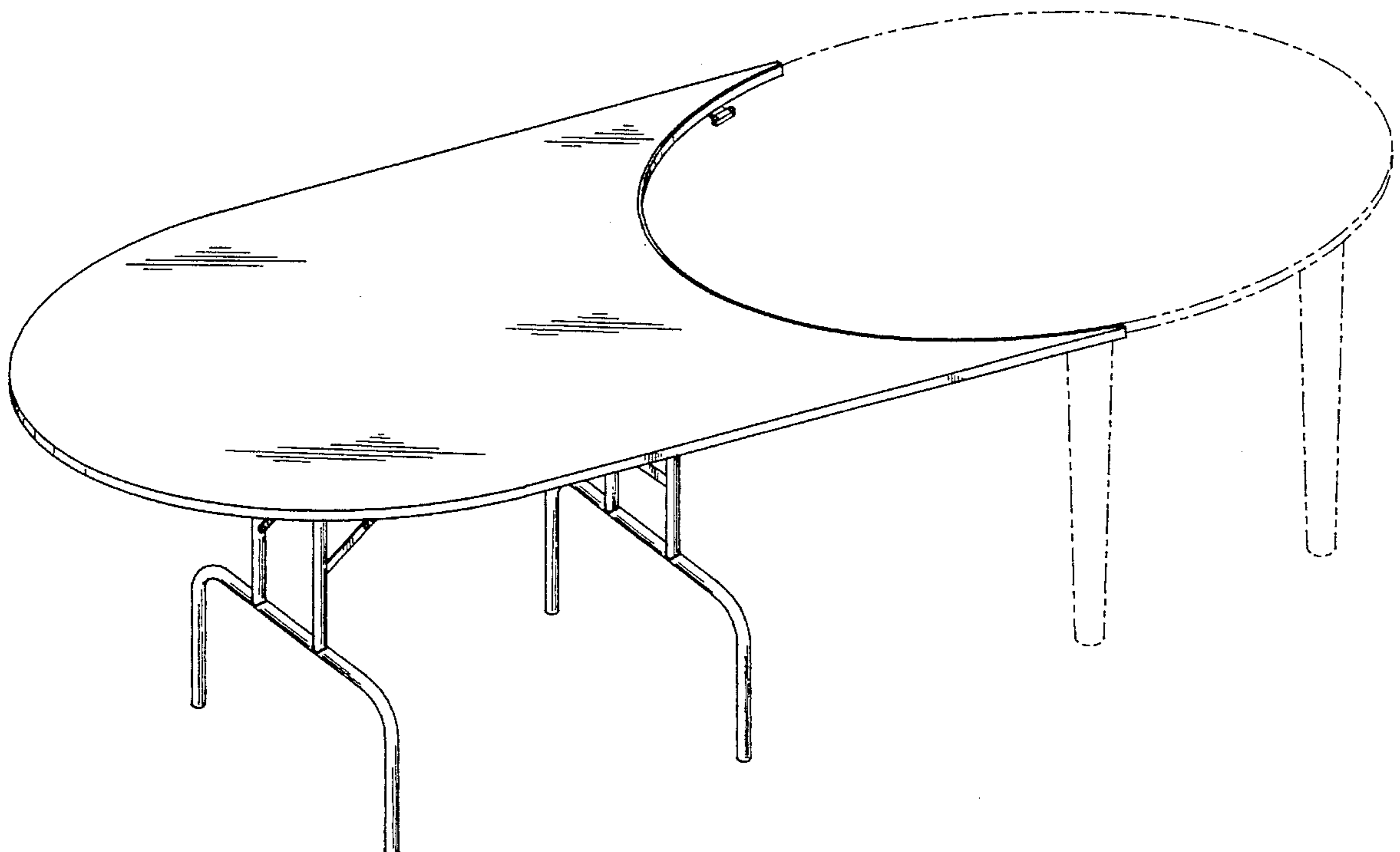


FIG. 1

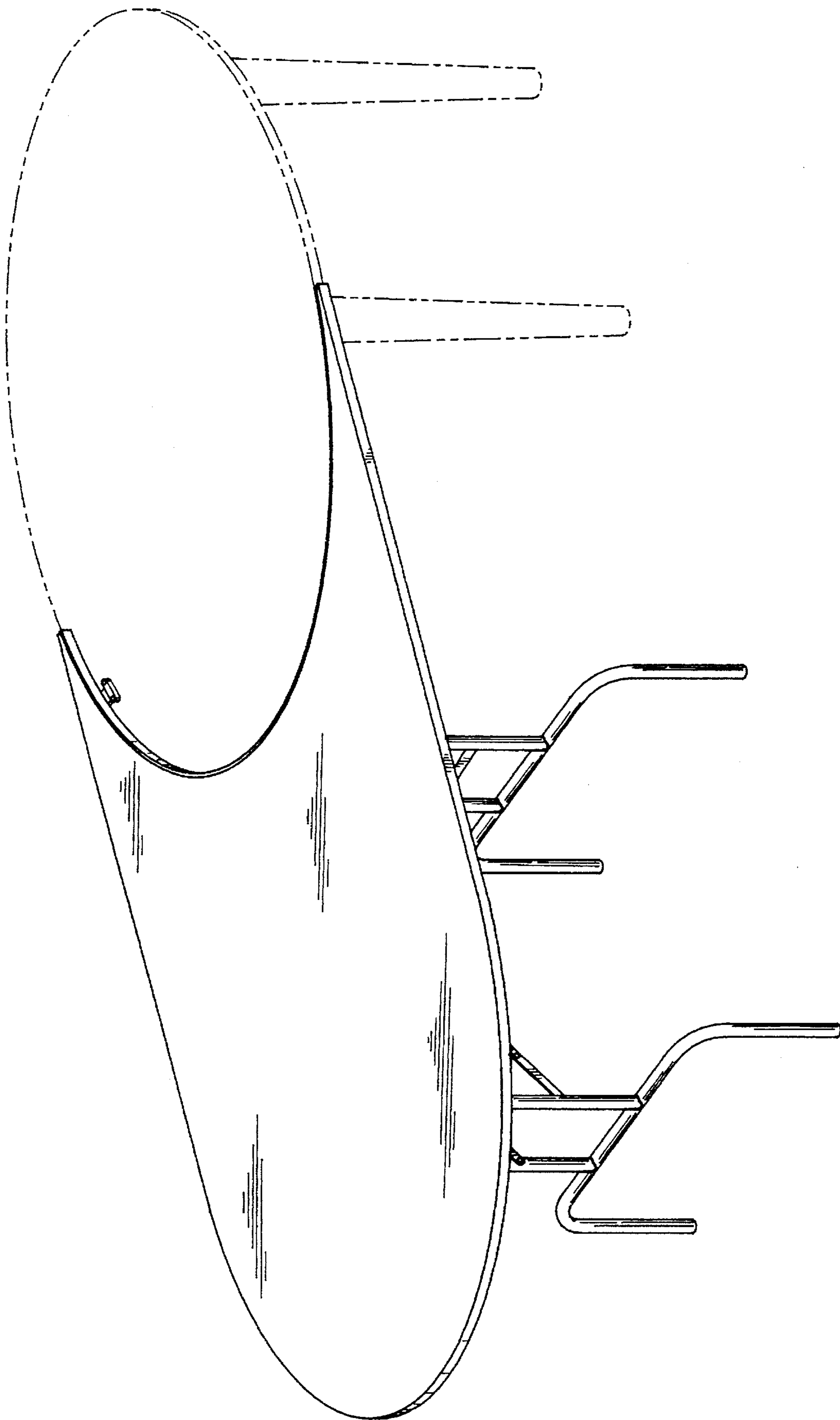


FIG. 2

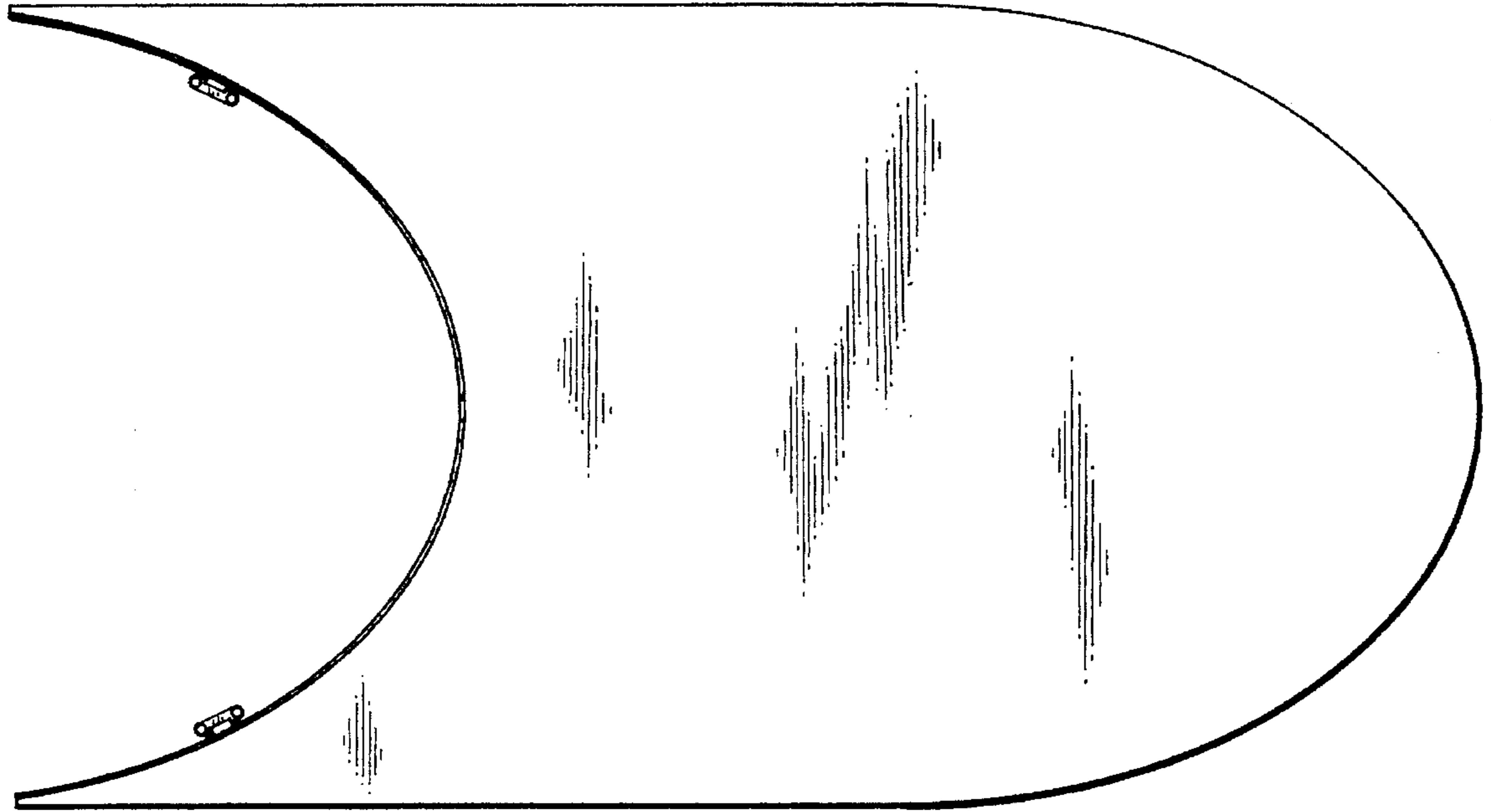


FIG. 3

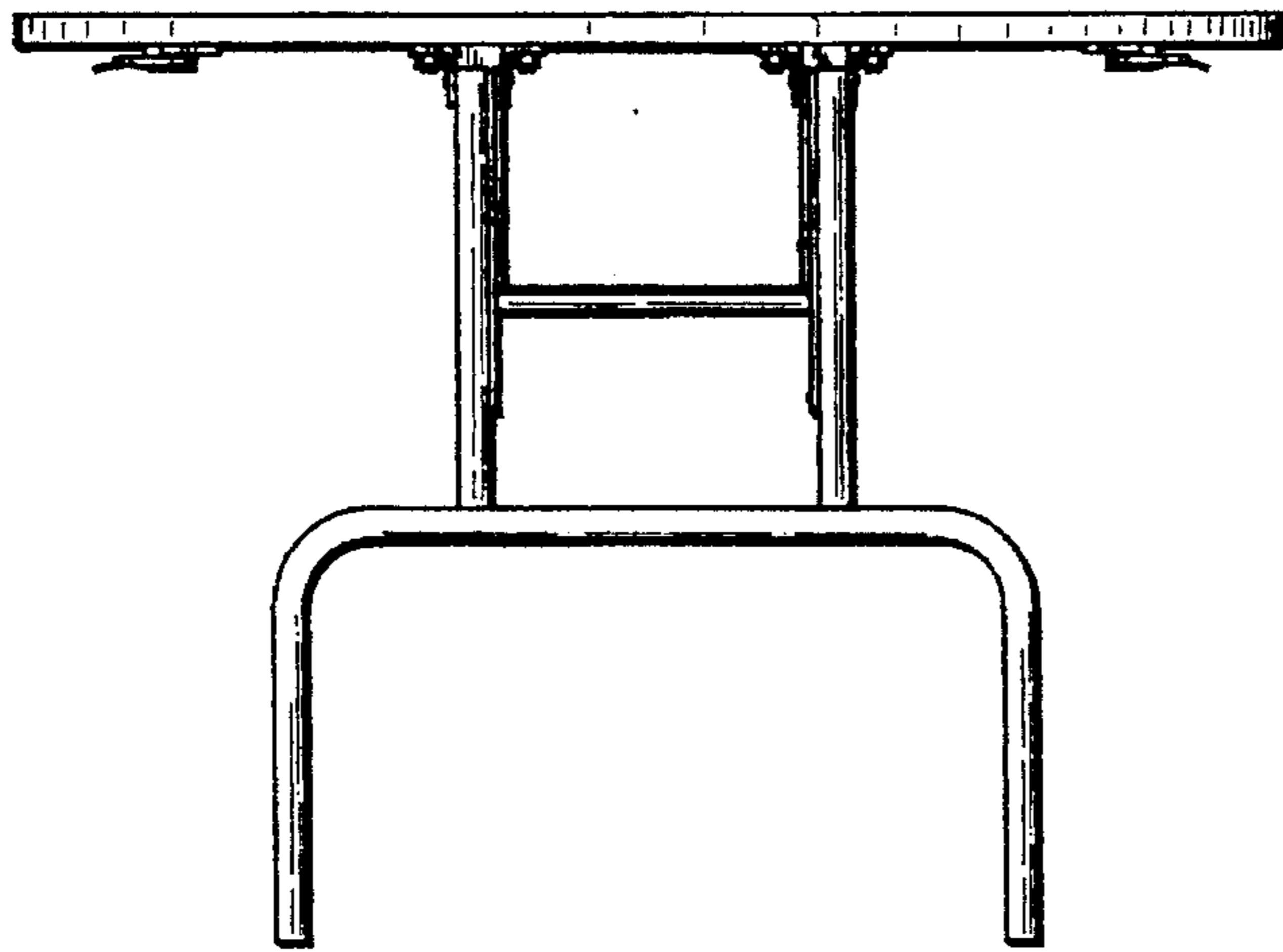


FIG. 5

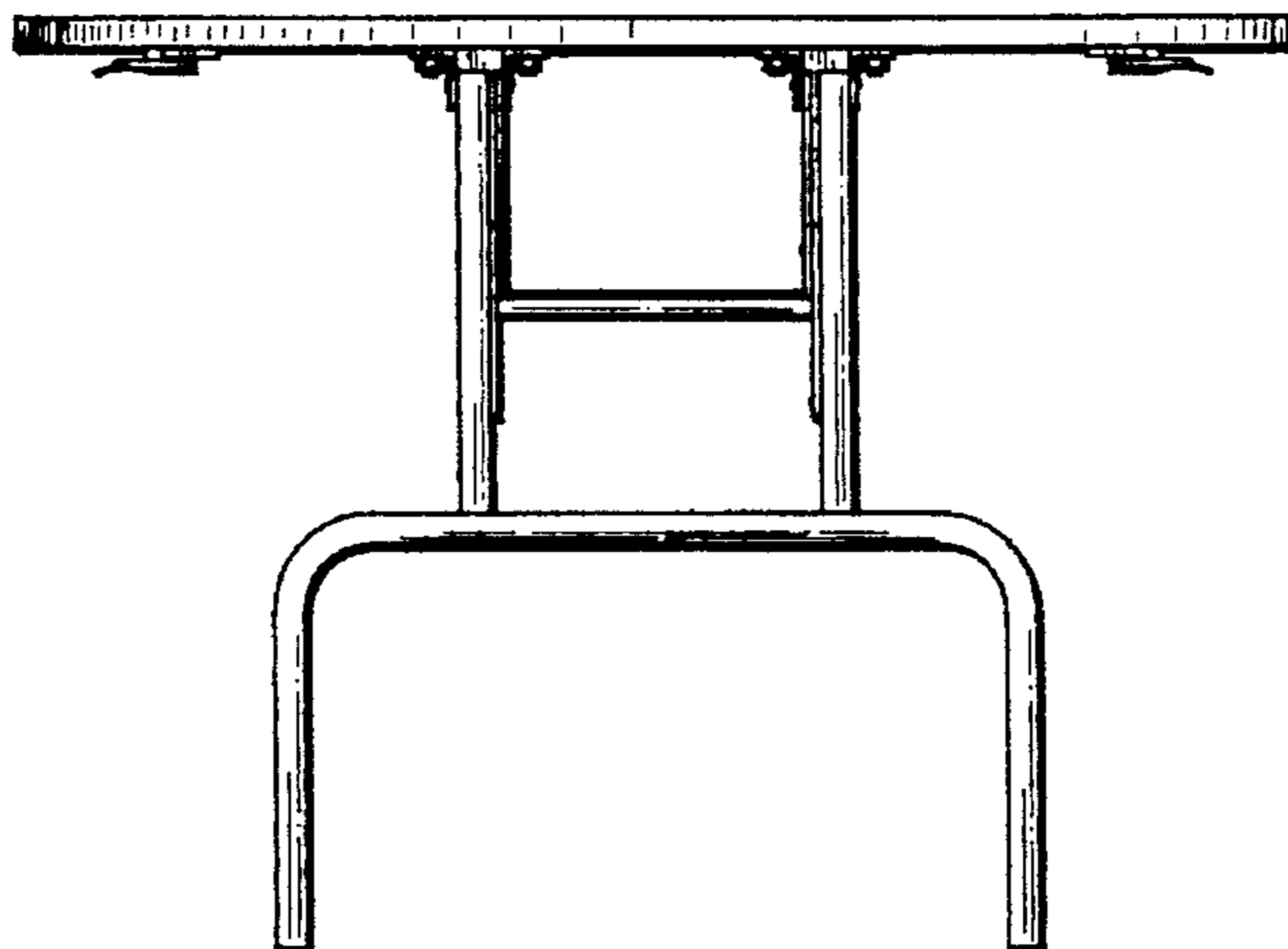


FIG. 4

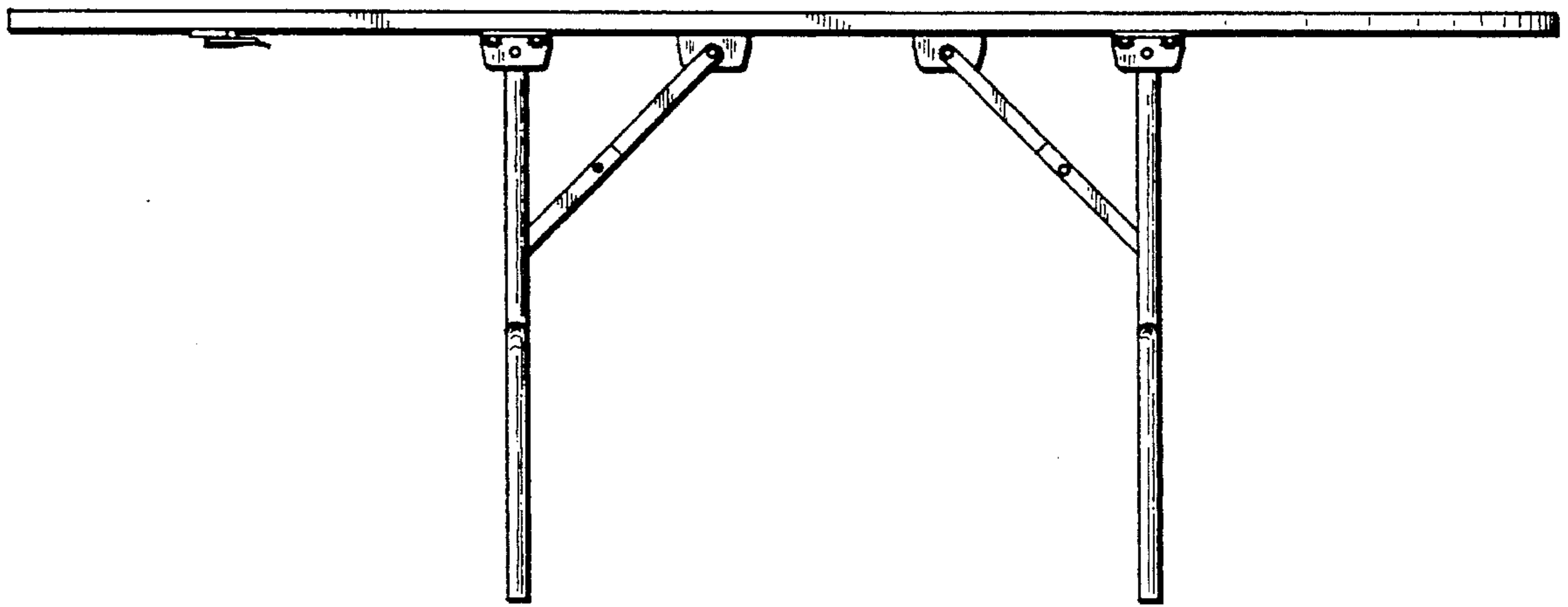


FIG. 6

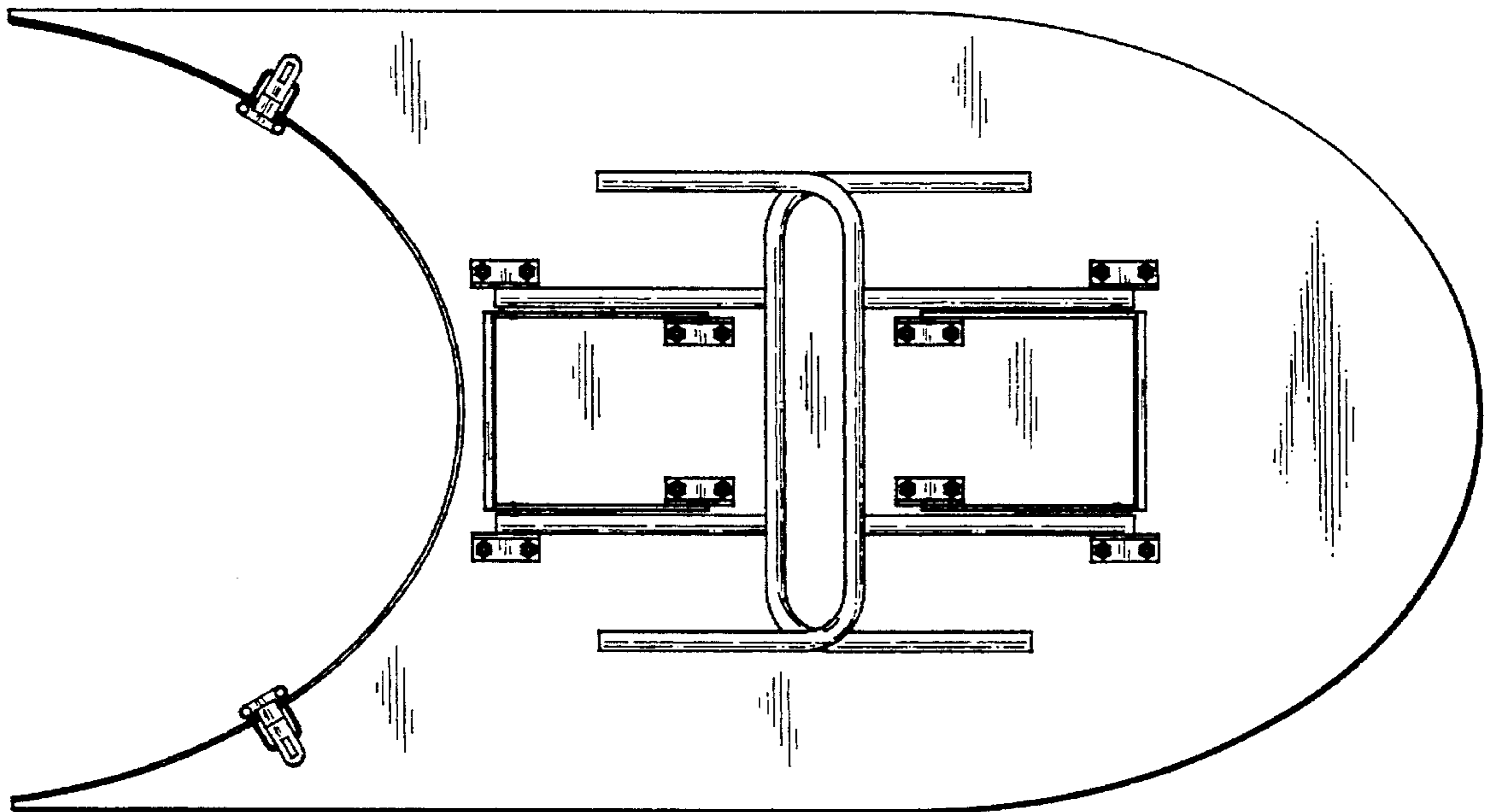


FIG. 7

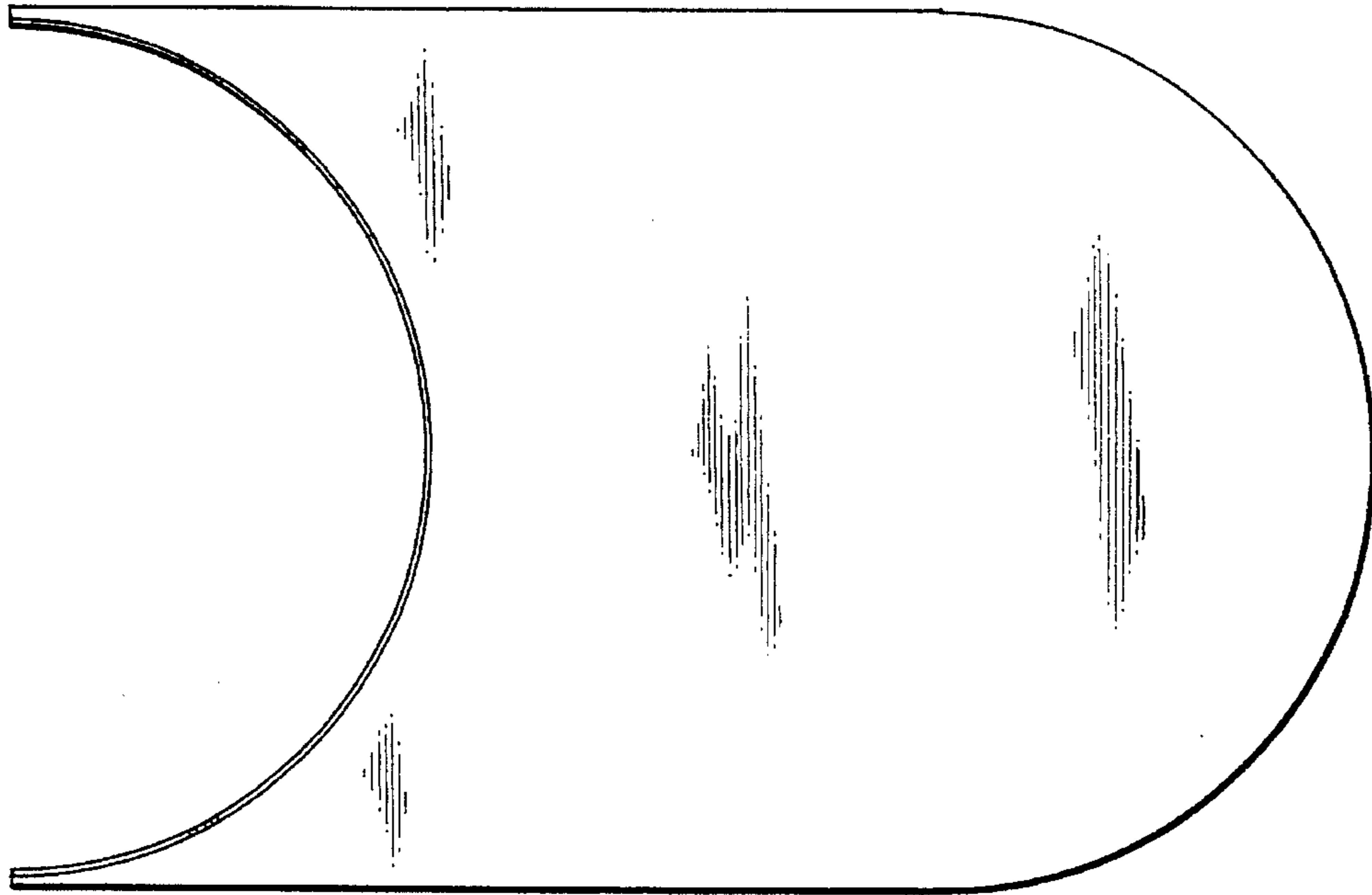


FIG. 8

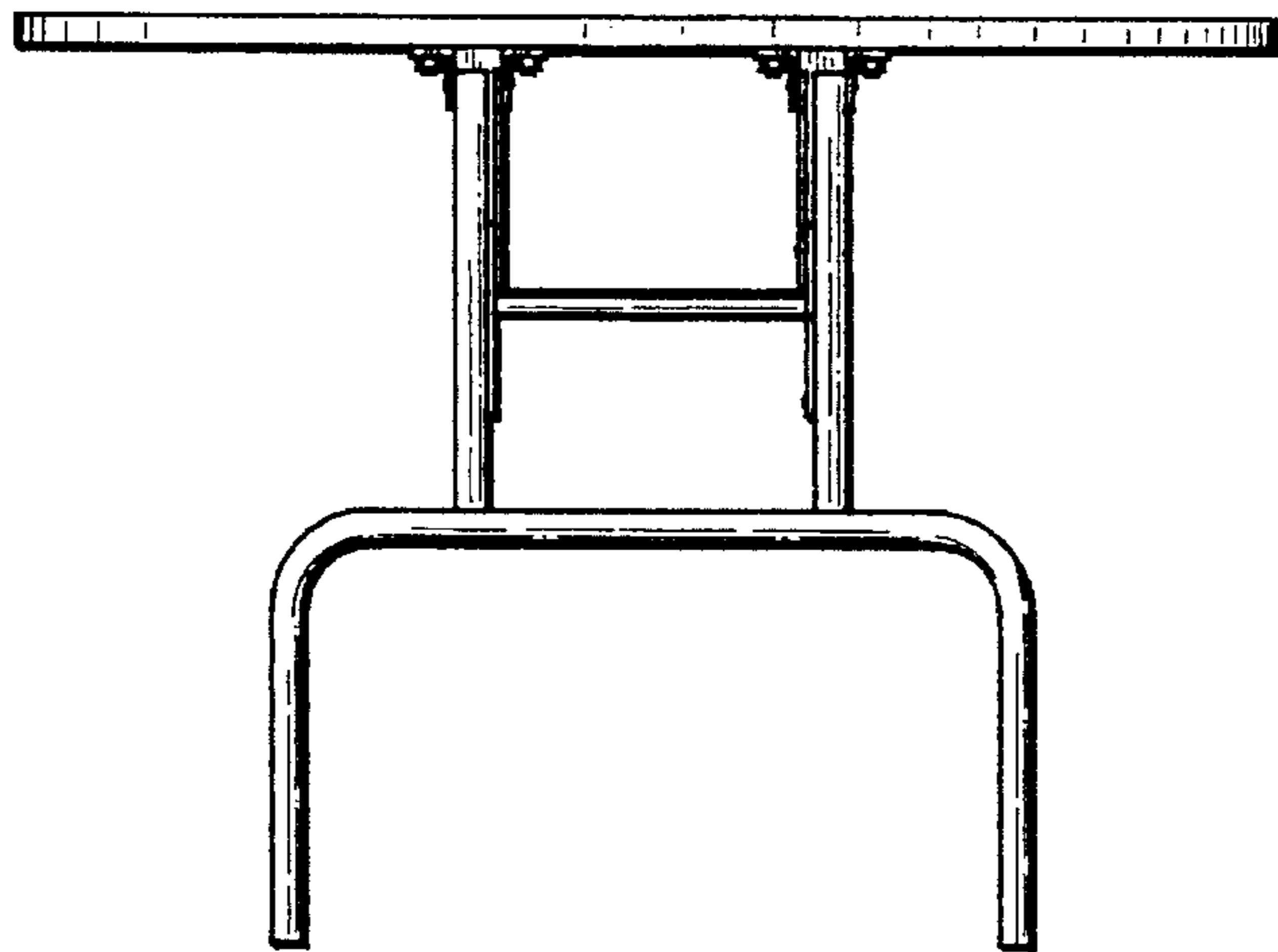


FIG. 10

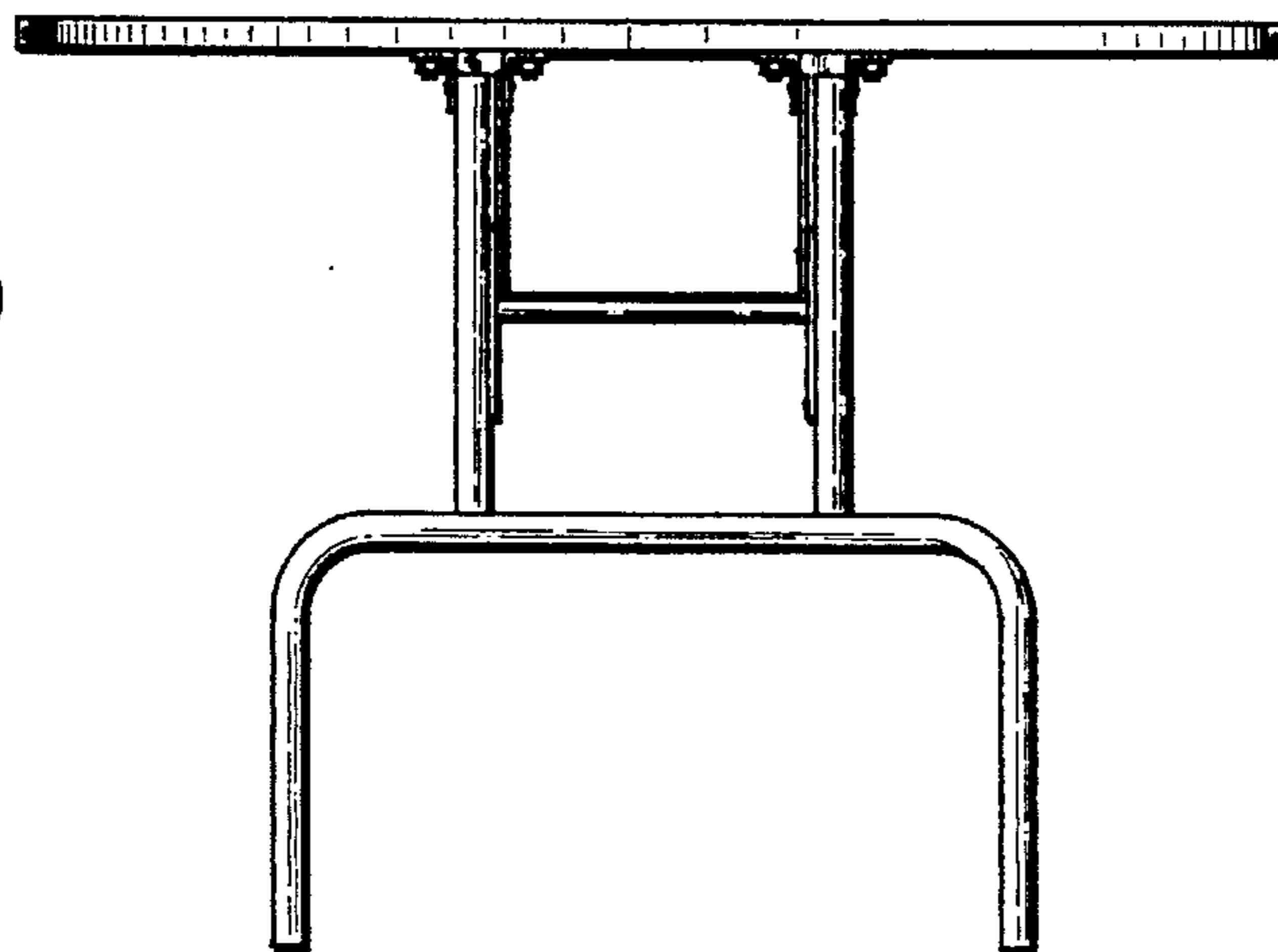


FIG. 9

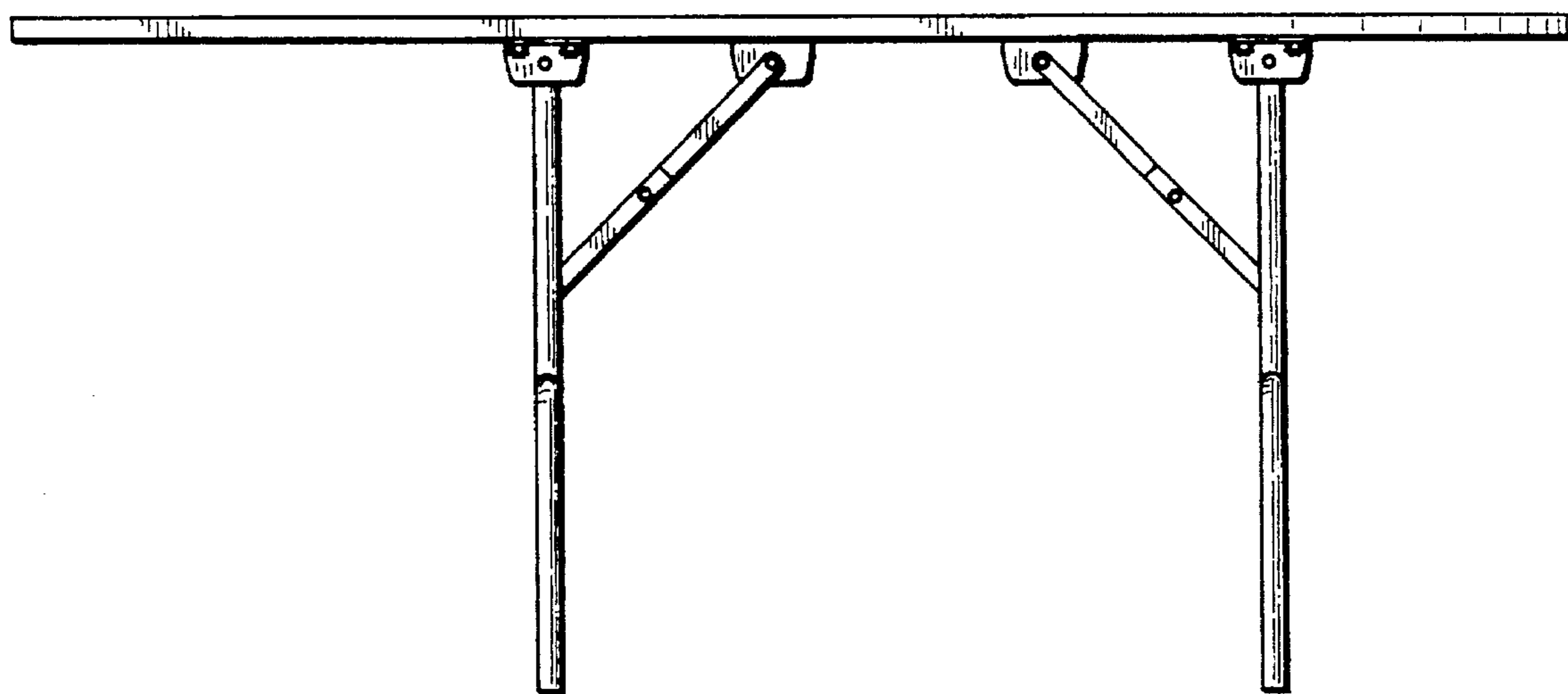


FIG. 11

