



US00D373914S

# United States Patent [19]

[11] Patent Number: **Des. 373,914**

Lechleiter et al.

[45] Date of Patent: **\*\*Sep. 24, 1996**

[54] VIDEO GAME DISPLAY

Primary Examiner—Alan P. Douglas

[75] Inventors: **Paul R. Lechleiter**, Powell; **Mark B. Artus**, Beechwold, both of Ohio

Assistant Examiner—S. Snapp

Attorney, Agent, or Firm—Akin, Gump, Strauss, Hauer & Feld, L.L.P.

[73] Assignee: **Blockbuster Entertainment Corp.**, Ft. Lauderdale, Fla.

### [57] CLAIM

[\*\*] Term: **14 Years**

The ornamental design for a video game display, as shown and described.

[21] Appl. No.: **27,744**

### DESCRIPTION

[22] Filed: **Aug. 29, 1994**

FIG. 1 is a perspective view of a video game display showing our new design;

[52] U.S. Cl. .... **D6/470**

FIG. 2 is a front elevational view thereof;

[58] Field of Search ..... D21/13, 48; D6/396, D6/397, 449, 450, 451, 466-475; D20/10, 18, 19, 29, 34, 40, 41; 312/7.2, 9.1, 114; 248/129

FIG. 3 is a top plan view thereof;

FIG. 4 is a right side elevational view thereof;

FIG. 5 is a left side elevational view thereof;

FIG. 6 is a rear elevational view thereof; and,

FIG. 7 is a bottom plan view thereof.

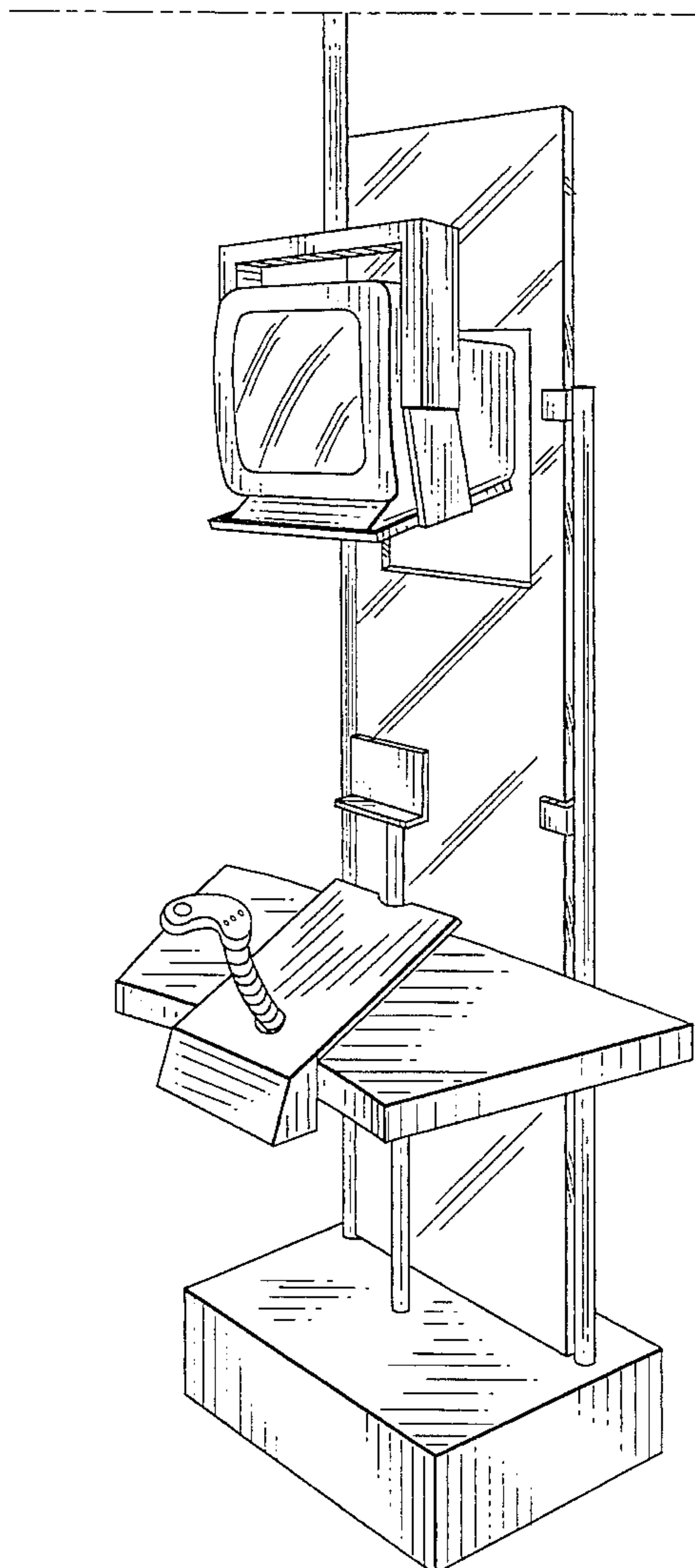
### [56] References Cited

The broken line showing of a portion of the ceiling in FIGS. 1, 2, 4, 5 & 6 is for illustrative purposes only and forms no part of the claimed design. The pole which extends into such broken lines is of an indeterminate length.

#### U.S. PATENT DOCUMENTS

D. 128,988	8/1941	Clouter .....	D6/397
D. 344,505	2/1994	Traldi .....	D20/10 X
3,405,985	10/1968	Higer .....	312/114

**1 Claim, 5 Drawing Sheets**



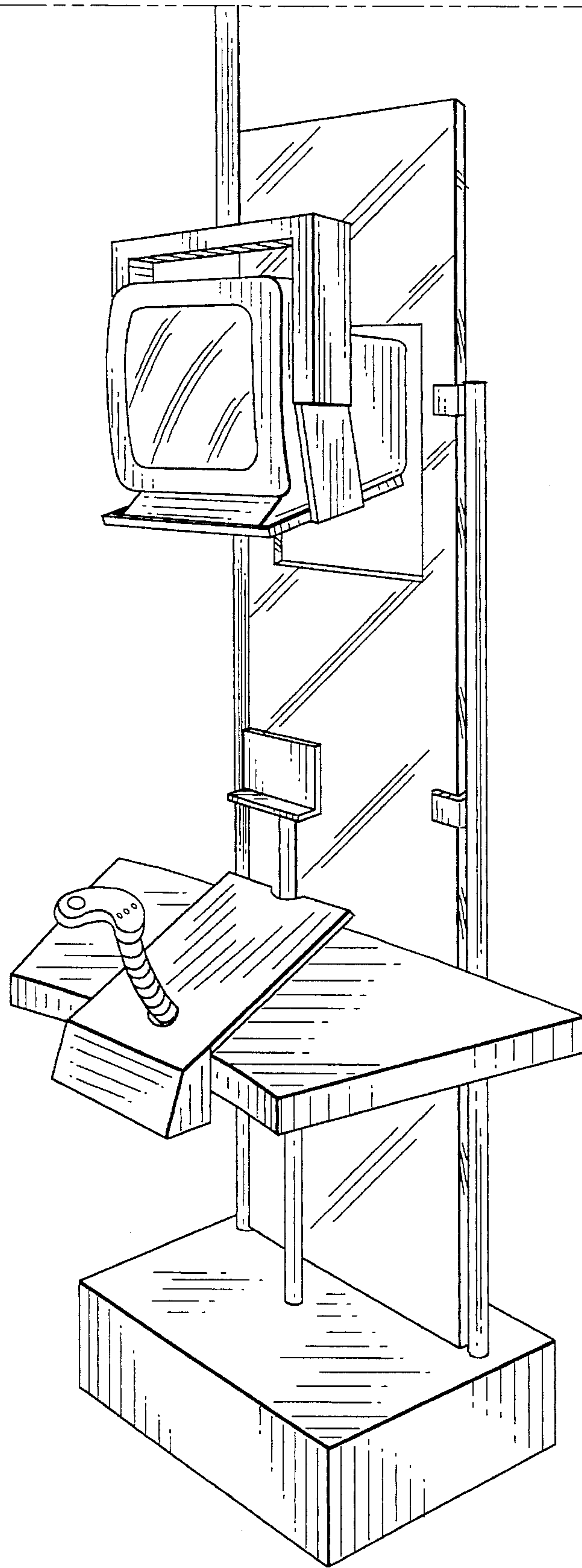


Fig. 1

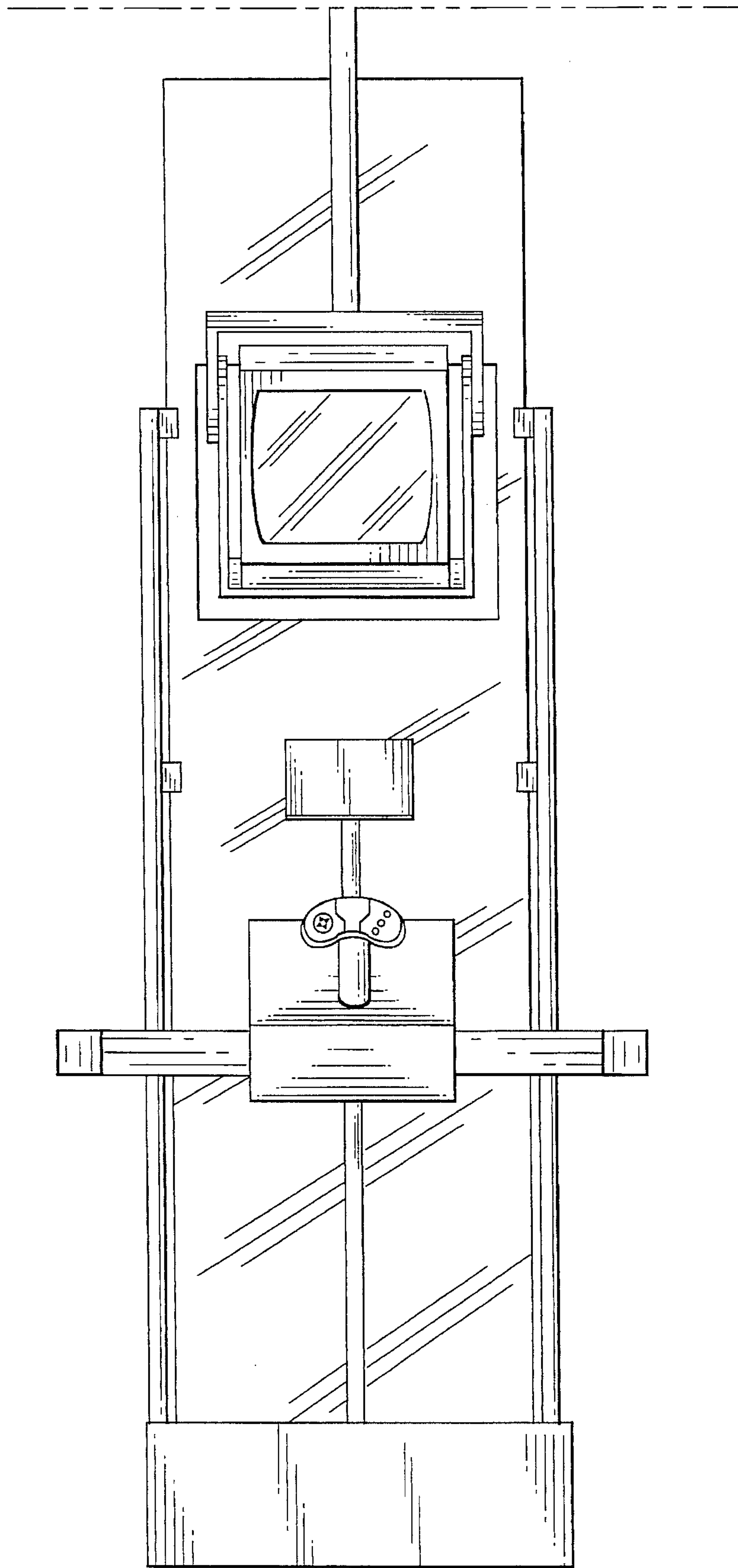


Fig. 2

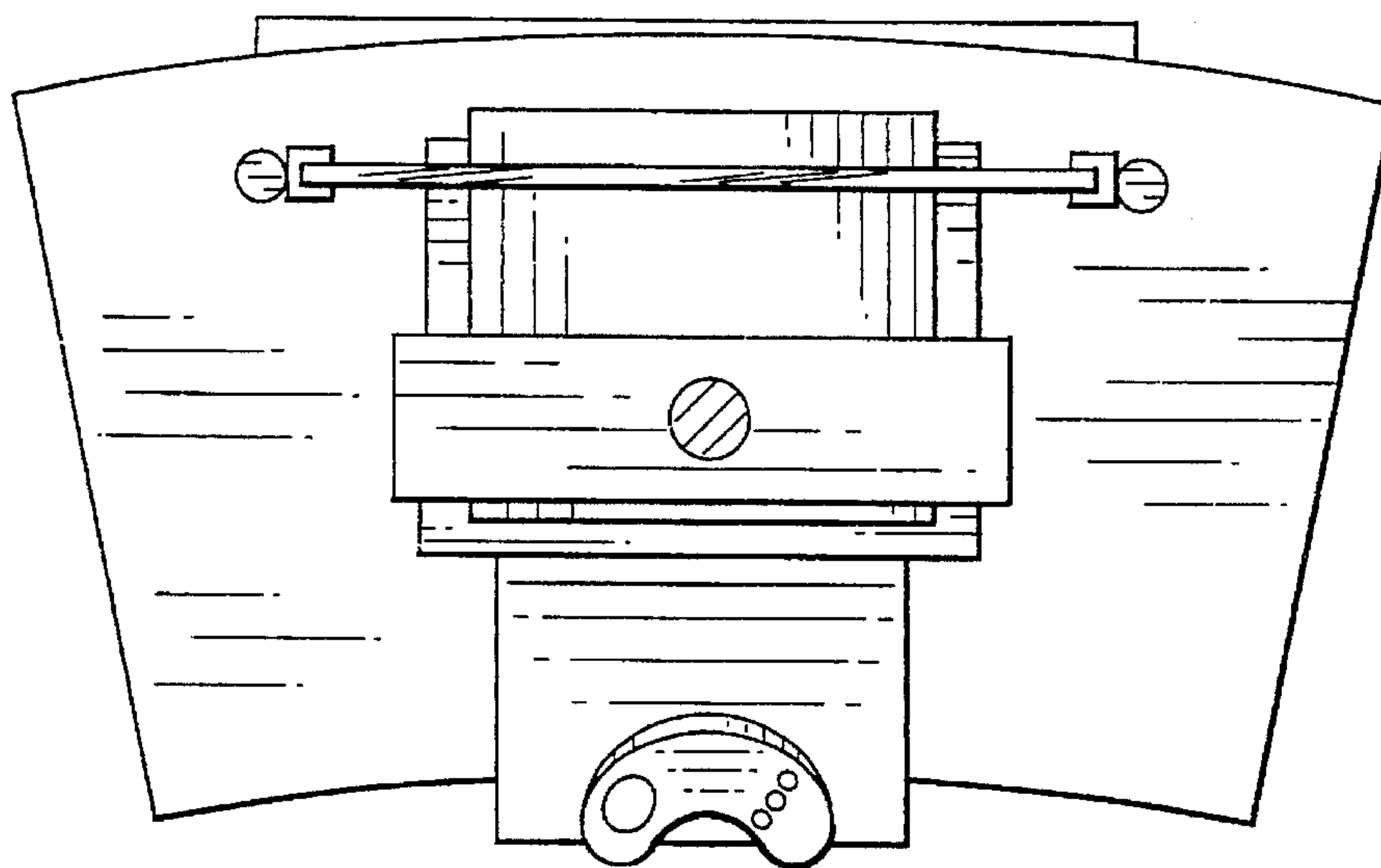


Fig. 3

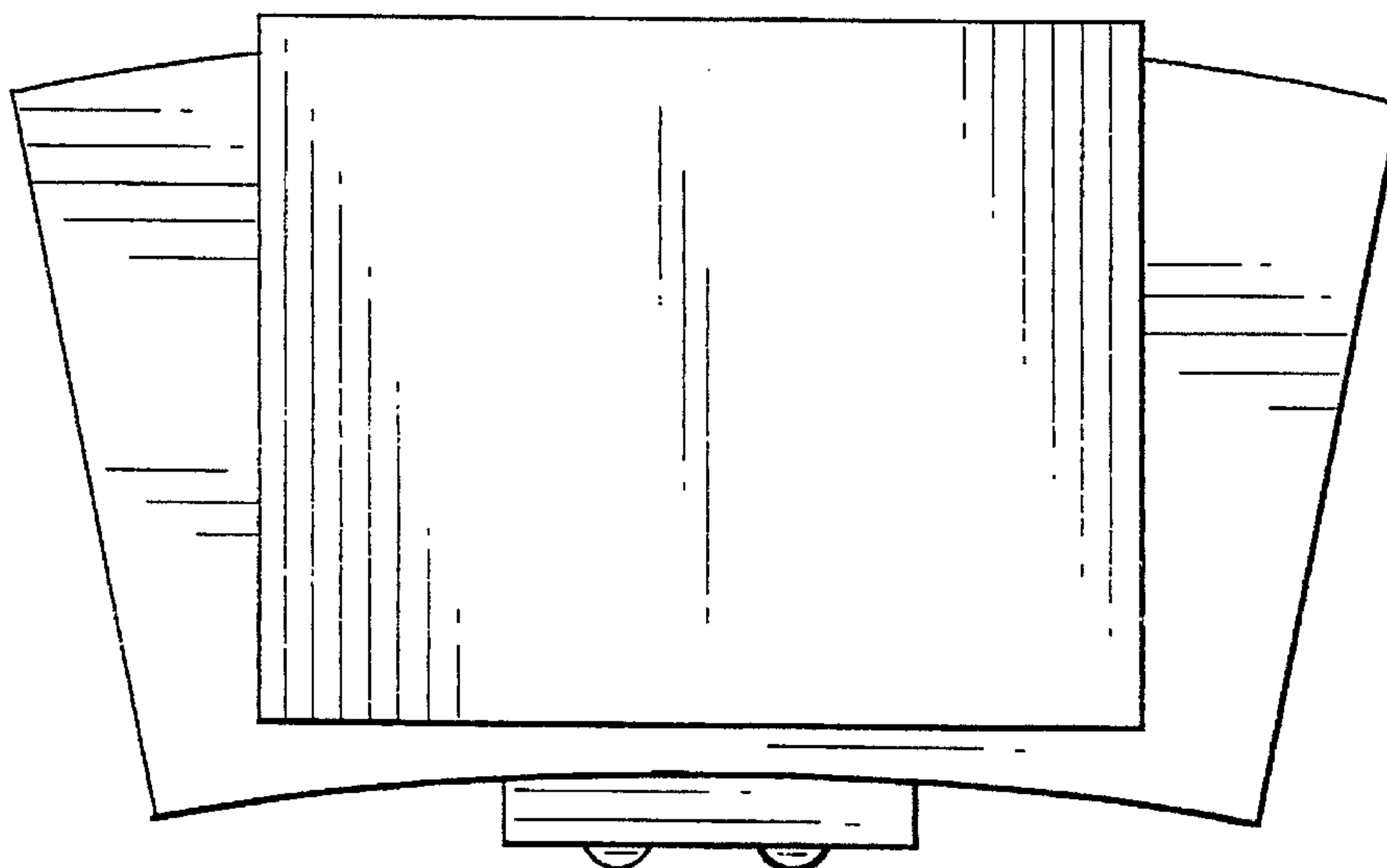


Fig. 7

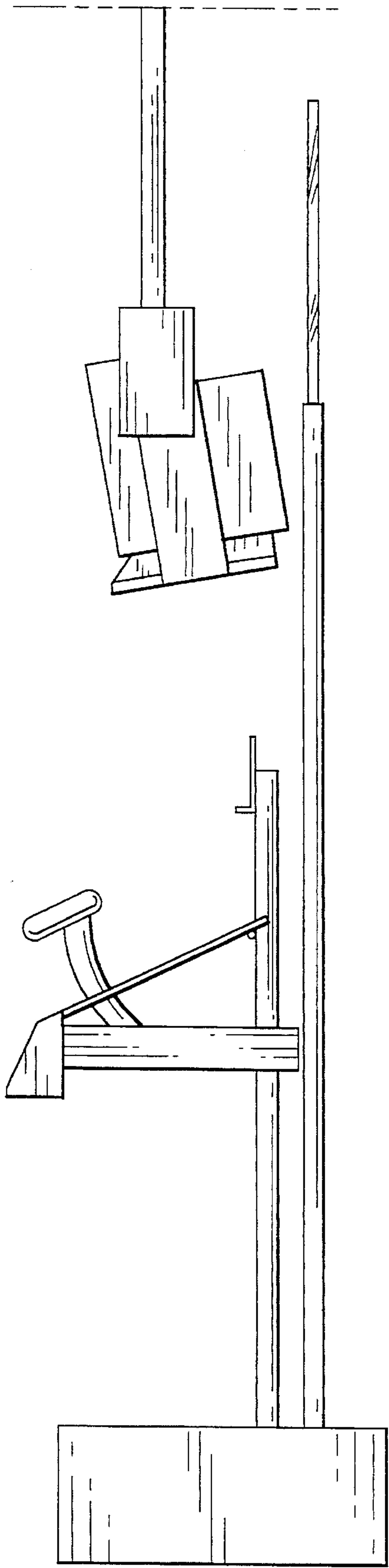


Fig. 4

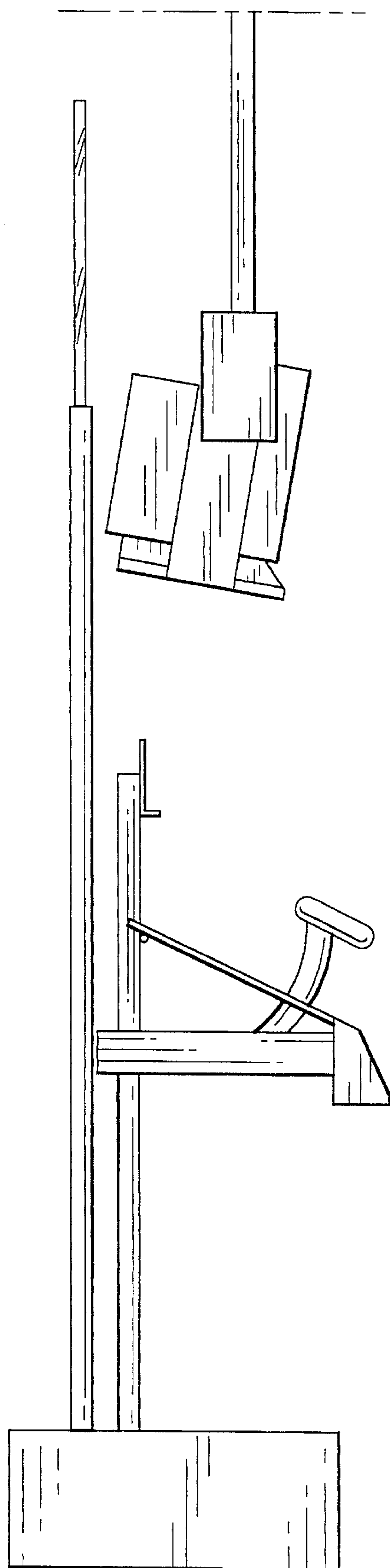


Fig. 5



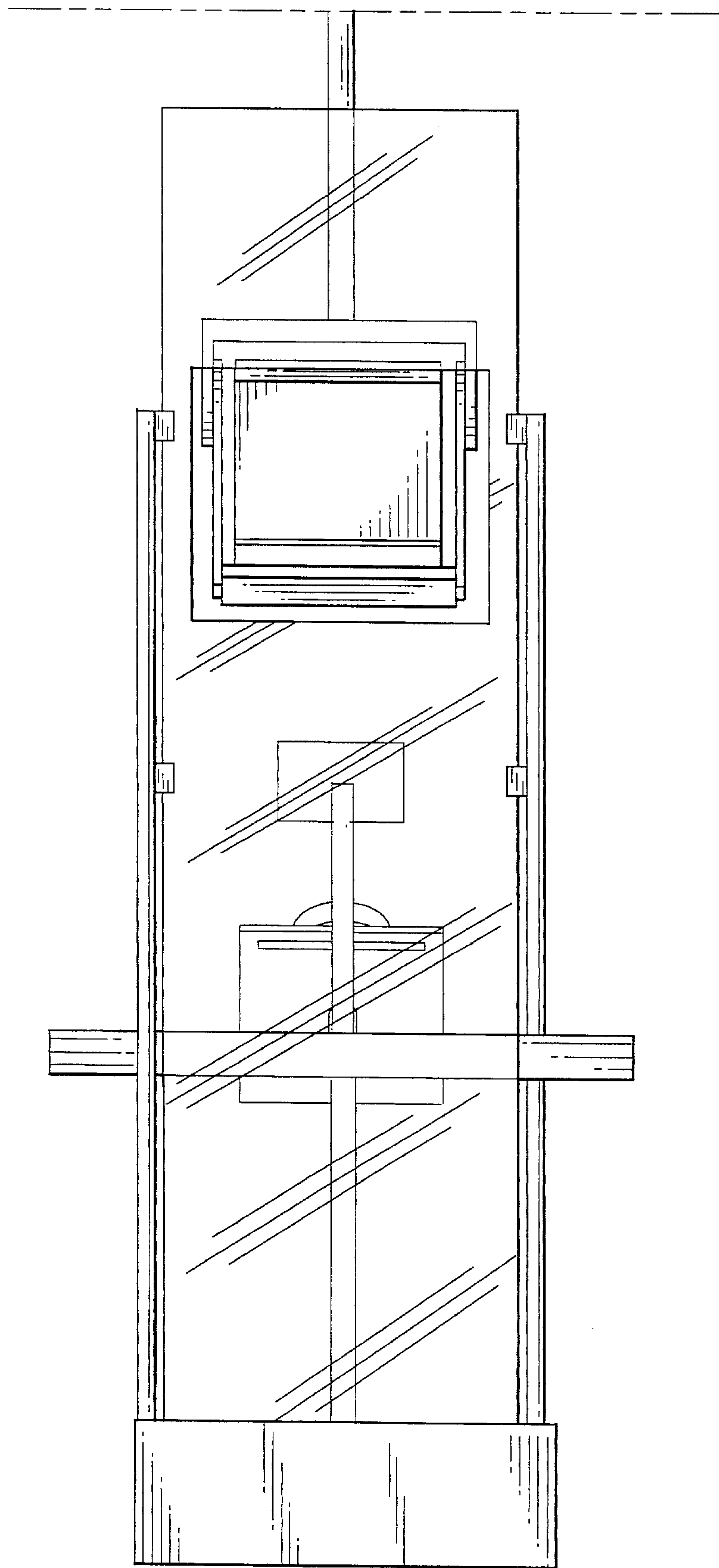


Fig. 6