



US00D373907S

United States Patent [19]

[11] Patent Number: Des. 373,907

Morales-Rivera

[45] Date of Patent: **Sep. 24, 1996

[54] FOLDABLE GARMENT HANGER HAVING STORAGE SPACES

FOREIGN PATENT DOCUMENTS

[76] Inventor: Manuel Morales-Rivera, Calle 1 S.O. 759 Caparra Terrace, San Juan, Puerto Rico, 00921

640043 11/1963 Belgium .
1548320 12/1968 France .

[**] Term: 14 Years

Primary Examiner—B. J. Bullock
Attorney, Agent, or Firm—Oblon, Spivak, McClelland, Maier, & Neustadt, P.C.

[21] Appl. No.: 33,325

[57] CLAIM

[22] Filed: Jan. 10, 1995

The ornamental design for a foldable garment hanger having storage spaces, as shown and described.

[52] U.S. Cl. D6/316; D6/319

DESCRIPTION

[58] Field of Search D6/315, 318, 319, D6/316; 211/113, 118; 223/89, 92, 94, 95, 98, 78, 85

FIG. 1 is a front elevational view showing my new design in an extended position of a foldable garment hanger having storage spaces;

[56] References Cited

U.S. PATENT DOCUMENTS

D. 167,836	9/1952	Kandarian	D6/318
D. 195,069	4/1963	Zuckerman	D6/316
D. 239,041	3/1976	Rubinstein	D6/318
1,374,024	4/1921	Morton .	
4,620,651	11/1986	Spies	223/85
4,809,889	3/1989	Friedman	223/78

FIG. 2 is a rear elevational view thereof;

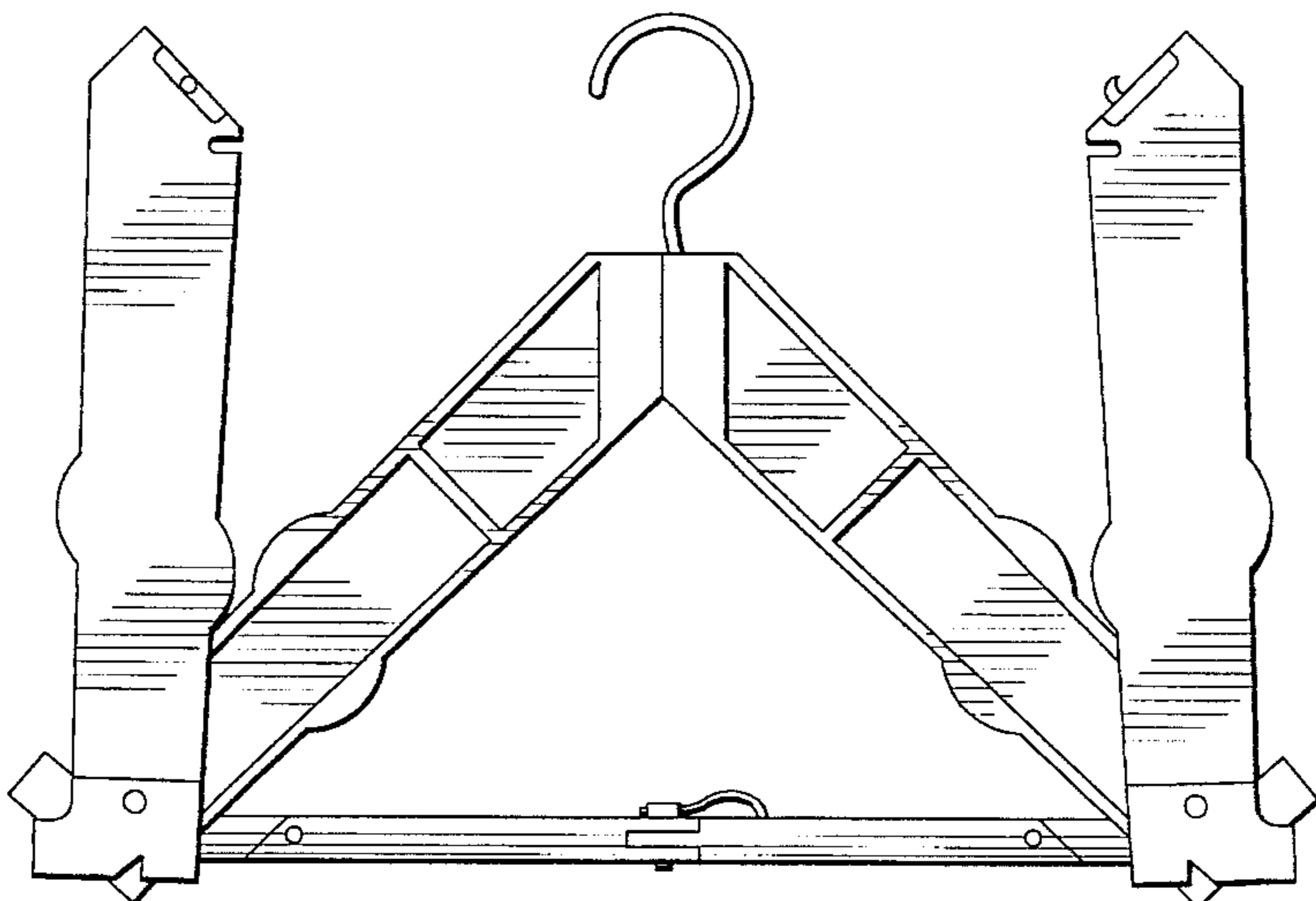
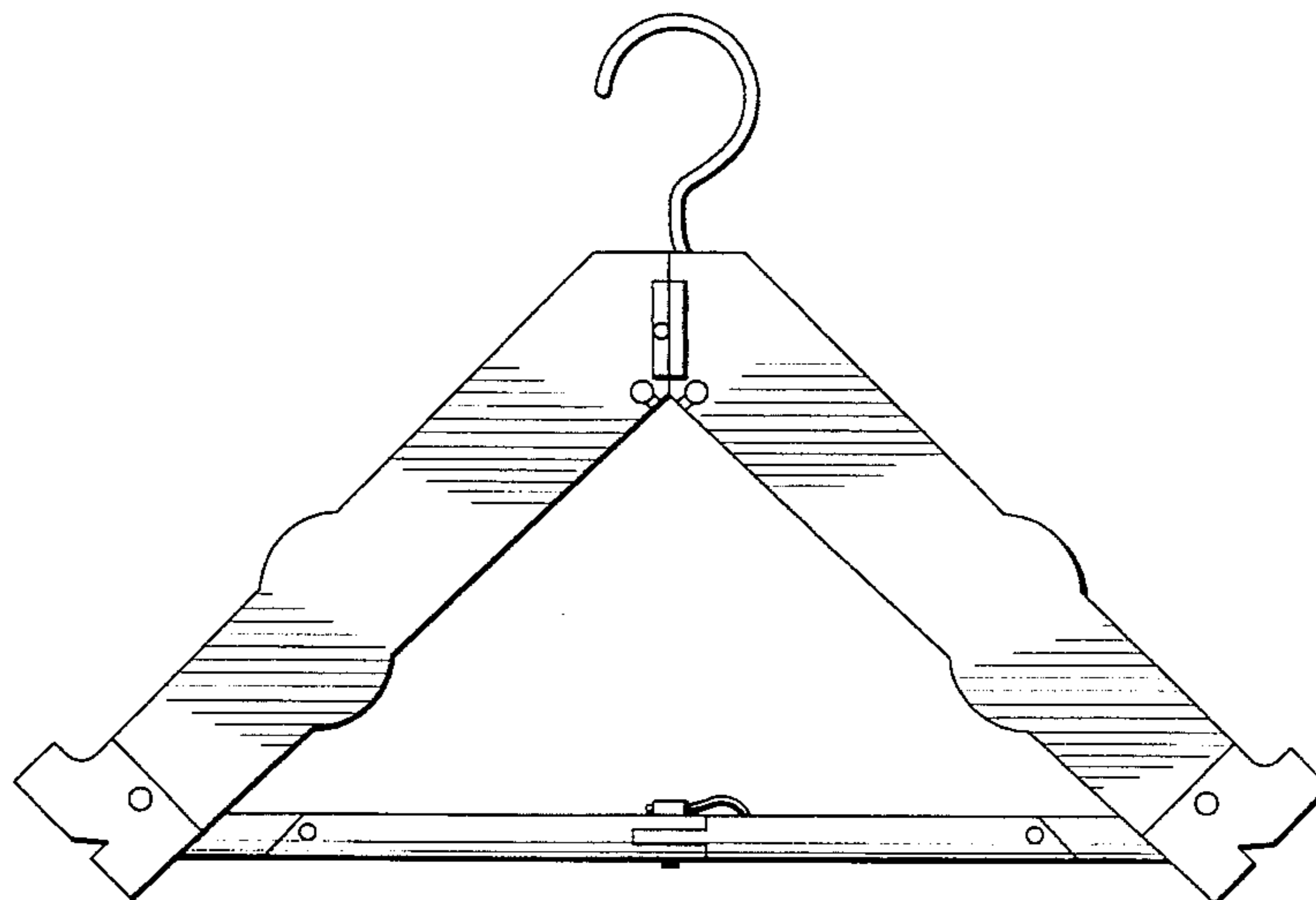
FIG. 3 is a top plan view thereof;

FIG. 4 is a top plan view thereof in its folded condition;

FIG. 5 is a bottom plan view thereof in its folded condition; and,

FIG. 6 is a front elevational view thereof, with the storage spaces opened.

1 Claim, 3 Drawing Sheets



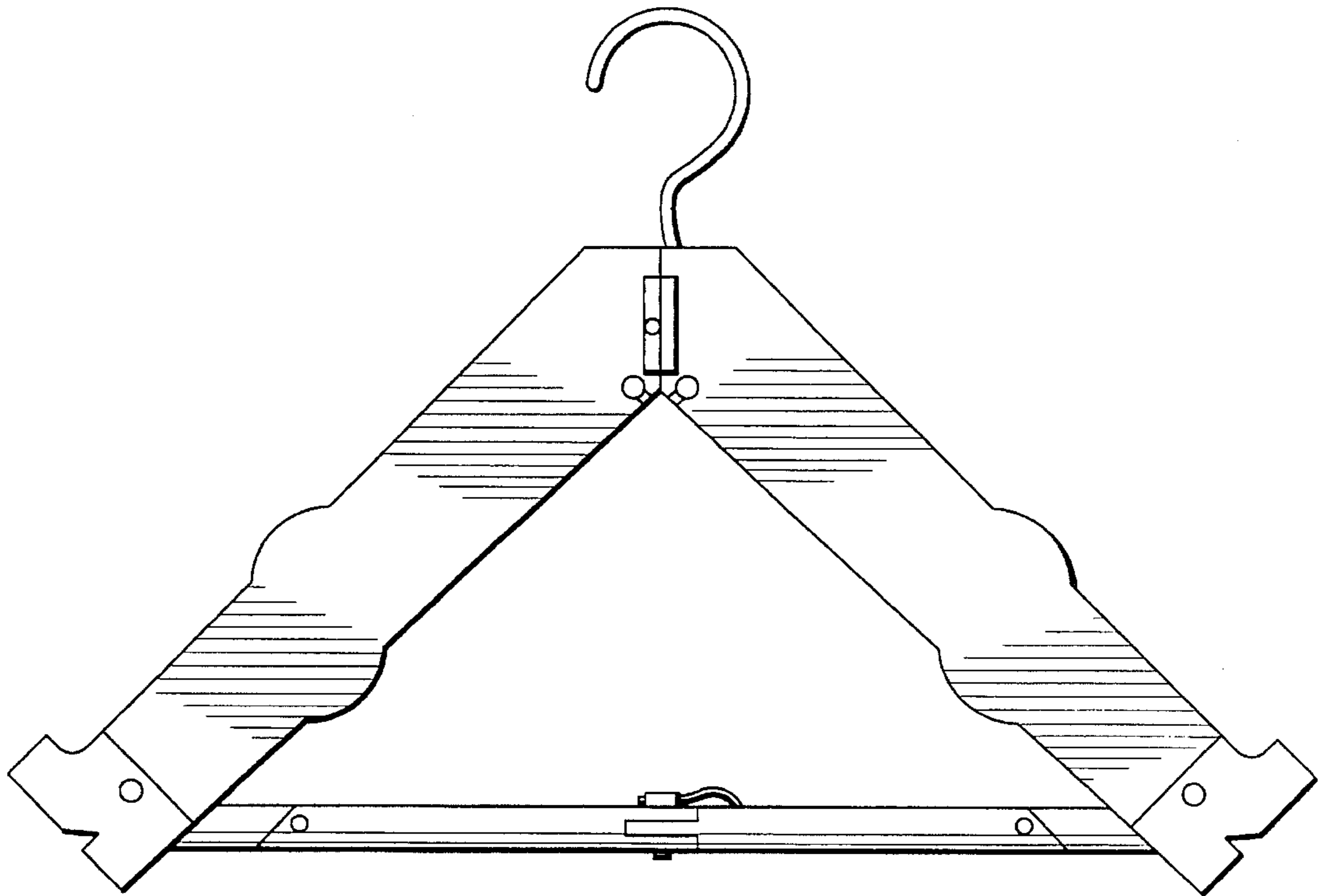


FIG. 1

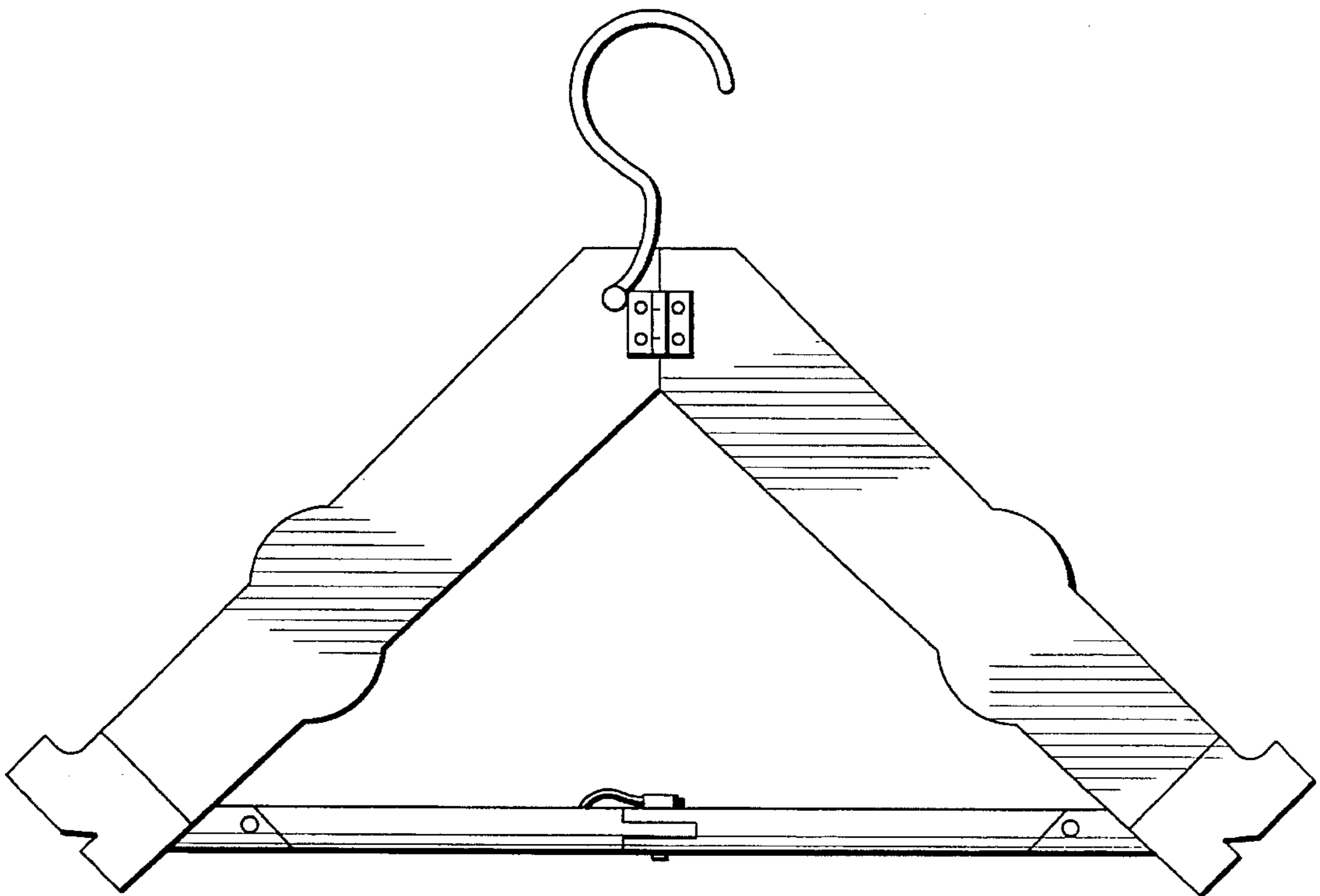


FIG. 2

FIG. 3

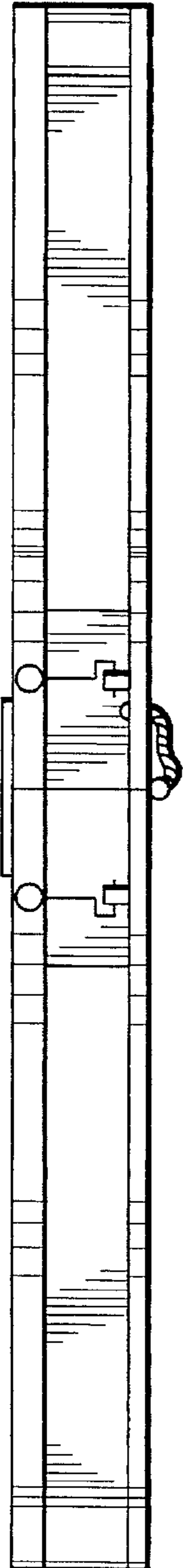


FIG. 5

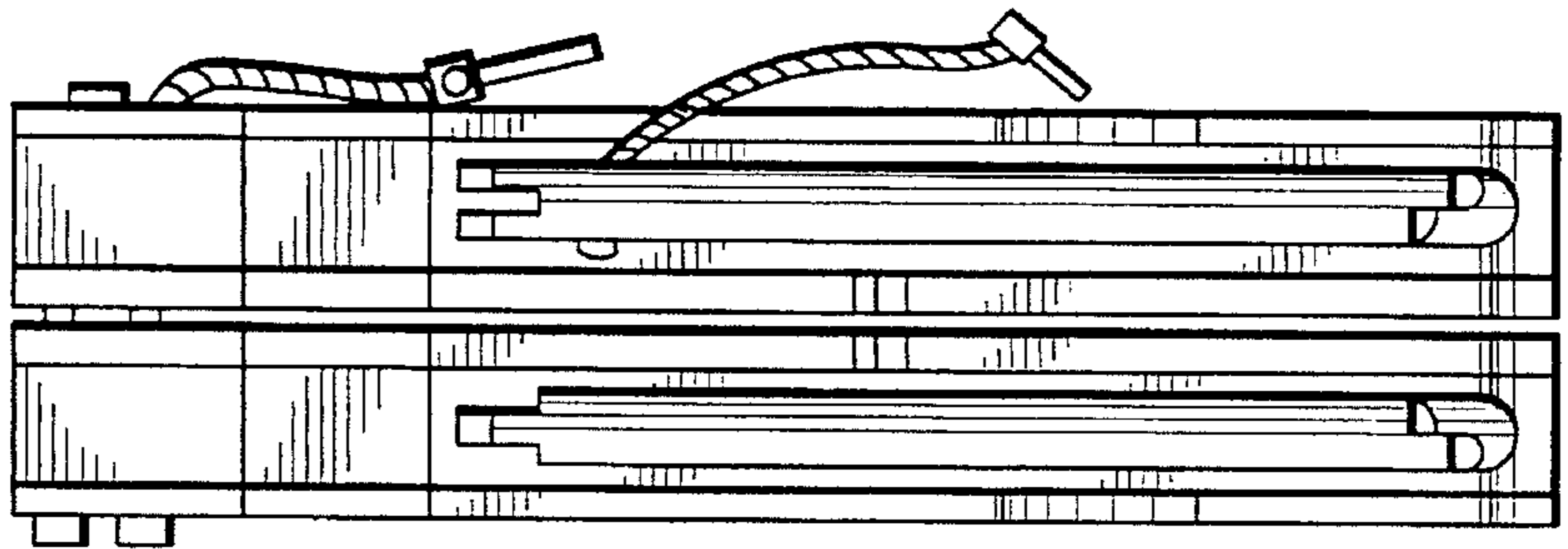
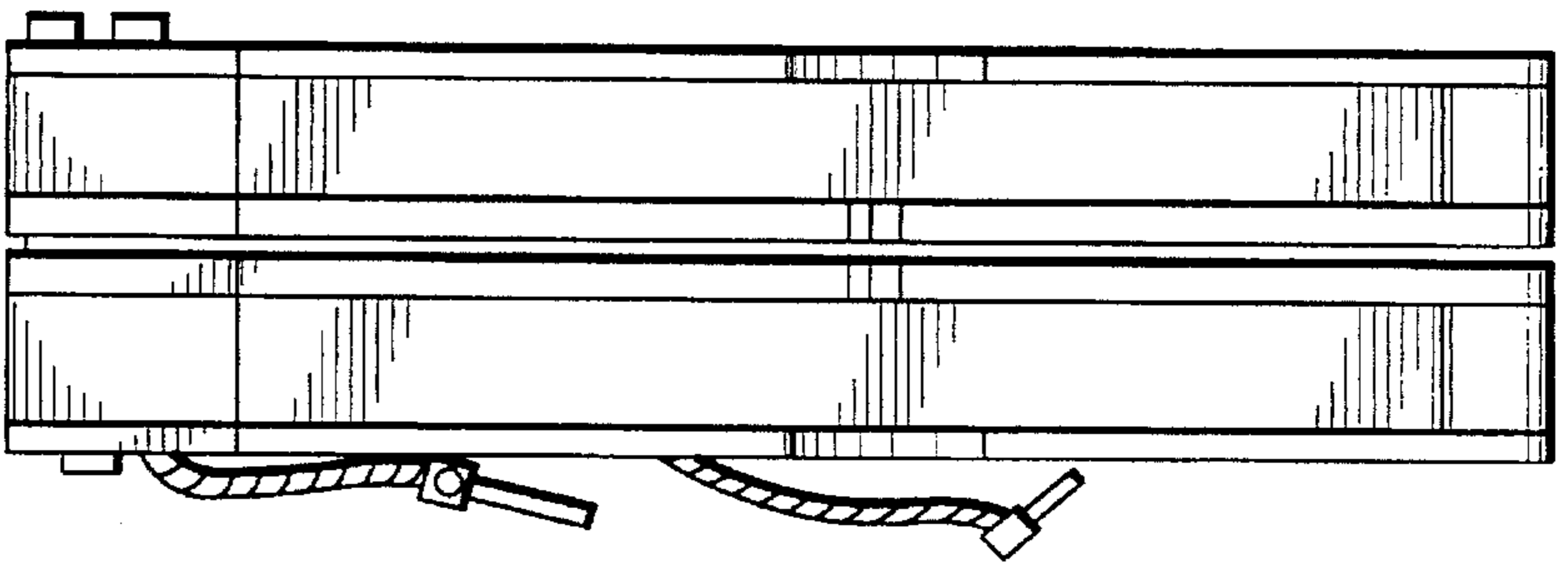


FIG. 4



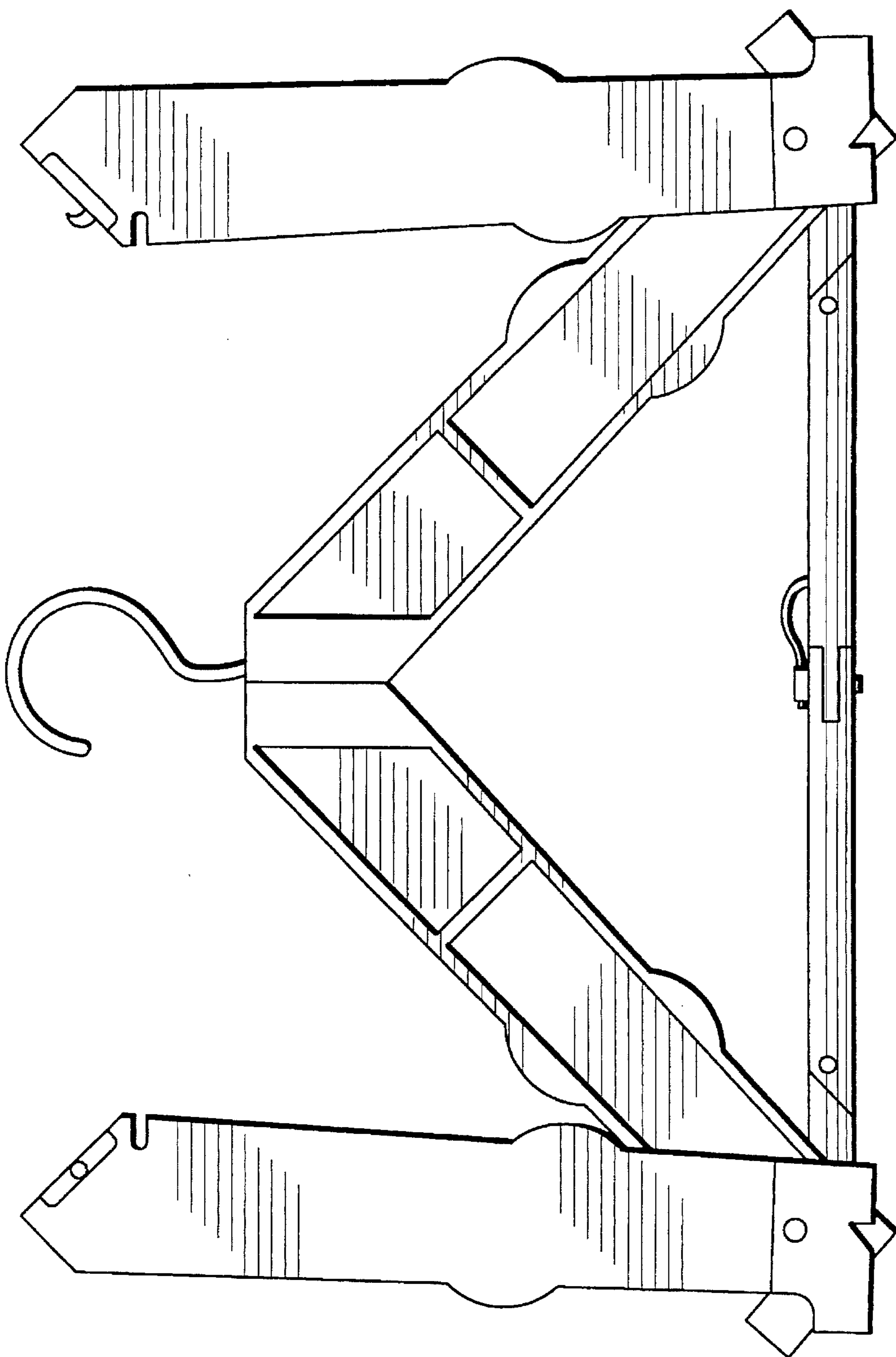


FIG. 6