



US00D373906S

United States Patent [19] Wang

[11] Patent Number: **Des. 373,906**
[45] Date of Patent: ****Sep. 24, 1996**

[54] **DISPLAY FRAME**

[76] Inventor: **Arthur J. Wang**, 300 E. 40th St., Apt. 22-D, New York, N.Y. 10016

[**] Term: **14 Years**

[21] Appl. No.: **32,627**

[22] Filed: **Dec. 22, 1994**

[52] U.S. Cl. **D6/300; D6/308**

[58] Field of Search **D6/300-314; 40/152, 40/152.1, 153, 154, 158.1, 160**

[56] **References Cited**

U.S. PATENT DOCUMENTS

D. 270,064	8/1983	Ackeret	D6/308
D. 343,299	1/1994	Olivier	D6/300
D. 349,618	8/1994	Barfield	D6/482
2,428,772	10/1947	Aranoff	D6/310
2,862,322	12/1958	Ziegler	40/154

Primary Examiner—Janice E. Seeger
Attorney, Agent, or Firm—Abelman, Frayne & Schwab

[57] **CLAIM**

The ornamental design for display frame, as shown and described.

DESCRIPTION

FIG. 1 is a front prospective view of the display frame, the rear prospective view being a mirror image of FIG. 1; FIG. 2 is a plan view of the display frame, the underside plan view being identical with FIG. 2; FIG. 3 is a front elevation of the display frame, the rear elevation being a mirror image of FIG. 3; FIG. 4 is an end view of the frame taken from either the left or the right hand side; FIG. 5 is a front elevation of a modified display frame as shown in FIG. 3, the display frame of FIG. 5 being of lesser vertical height than the display frame of FIG. 3; and, FIG. 6 is a side elevation of the display frame of FIG. 5 taken from either the left or the right hand side. The broken lines in FIG. 2 are for environmental purposes only and form no part of the claimed design.

1 Claim, 2 Drawing Sheets

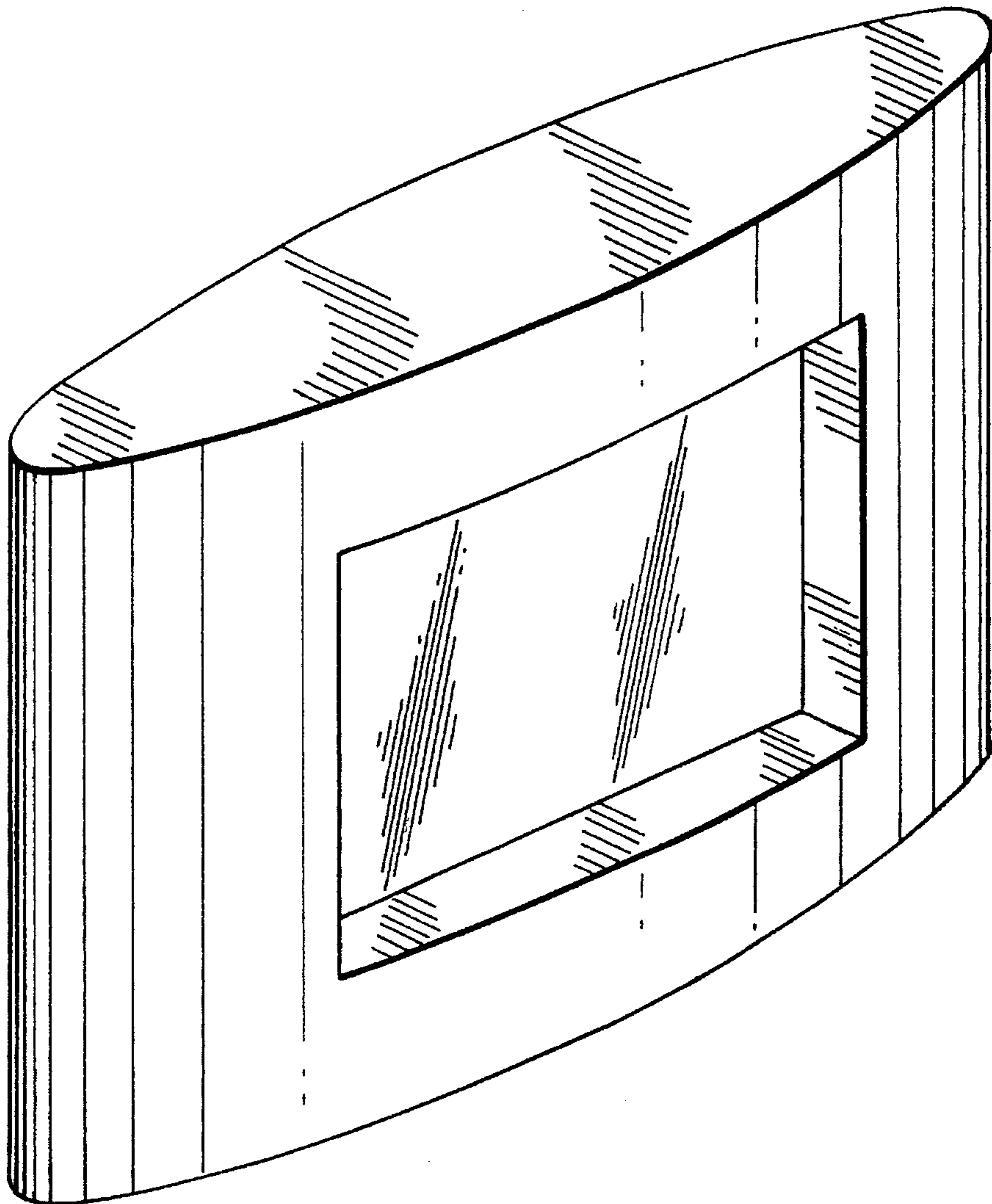


FIG. 1

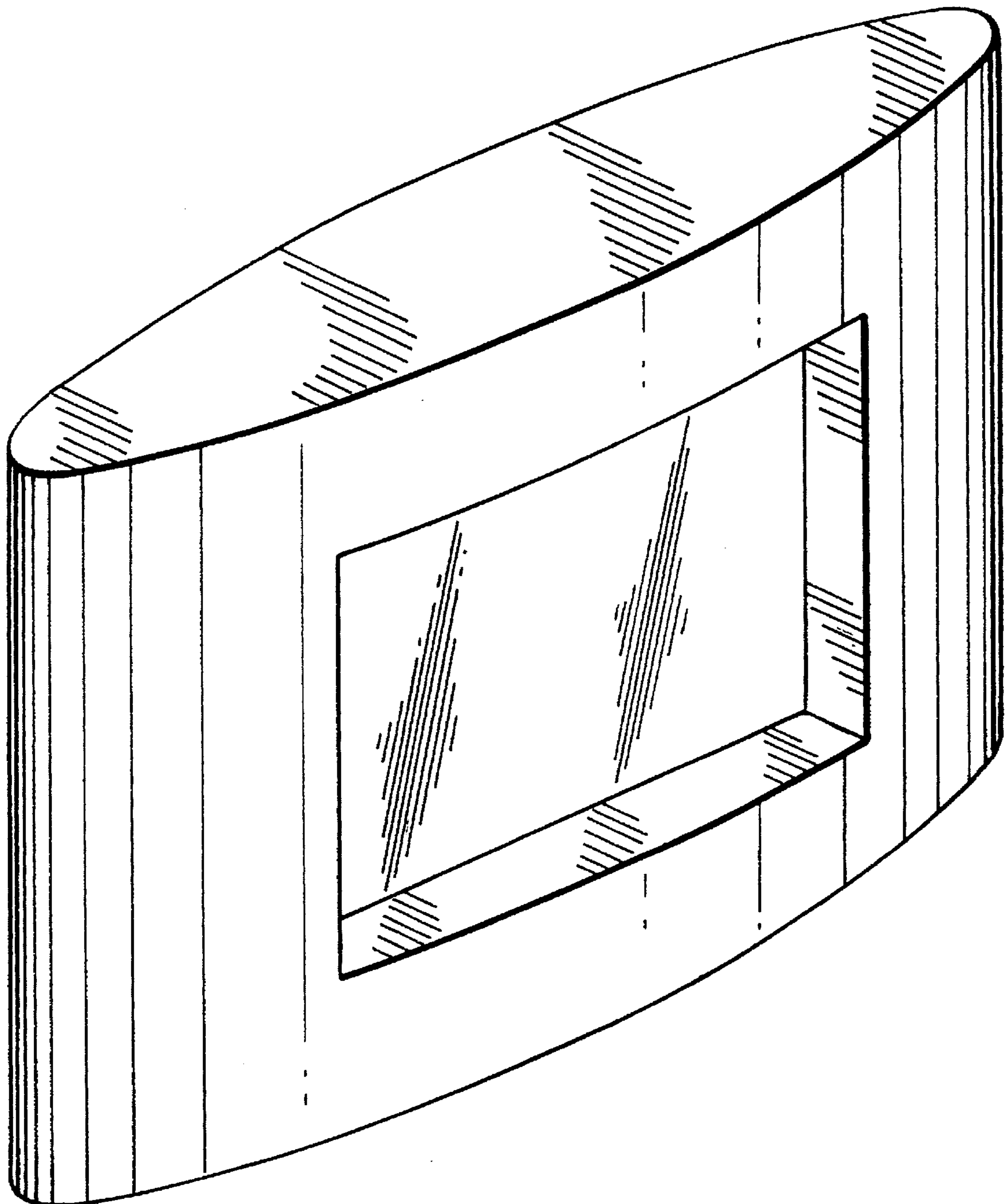


FIG.2

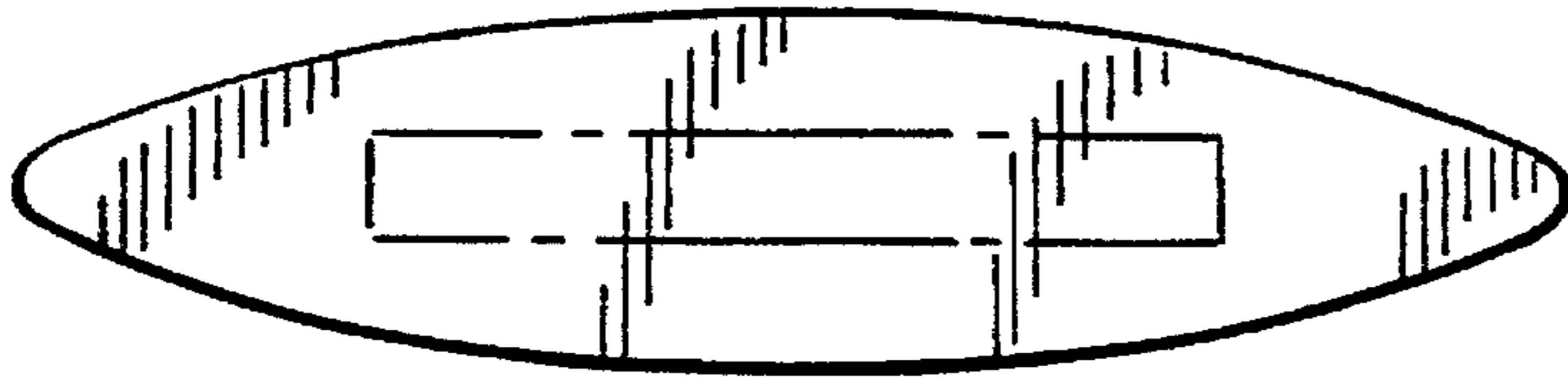


FIG.3

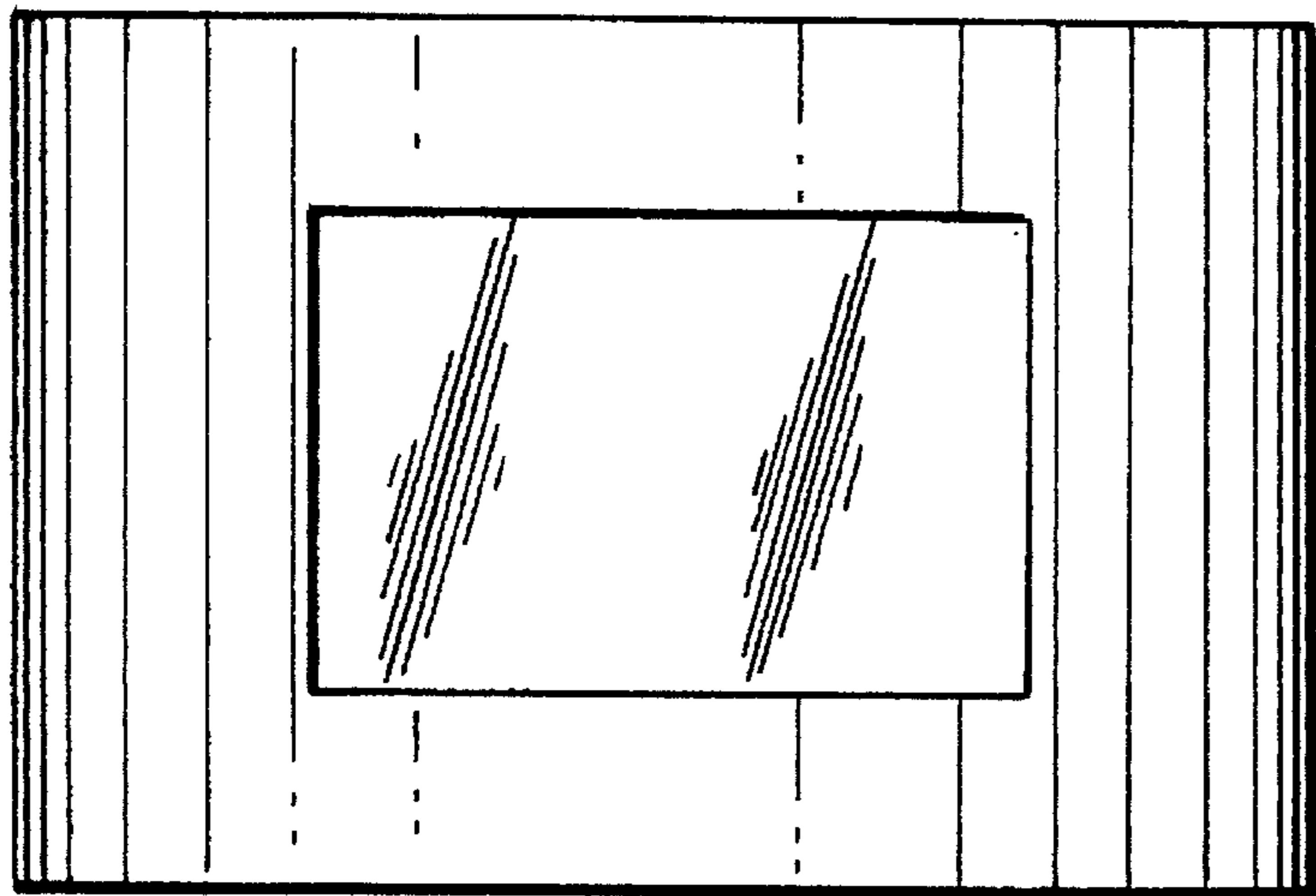


FIG.4

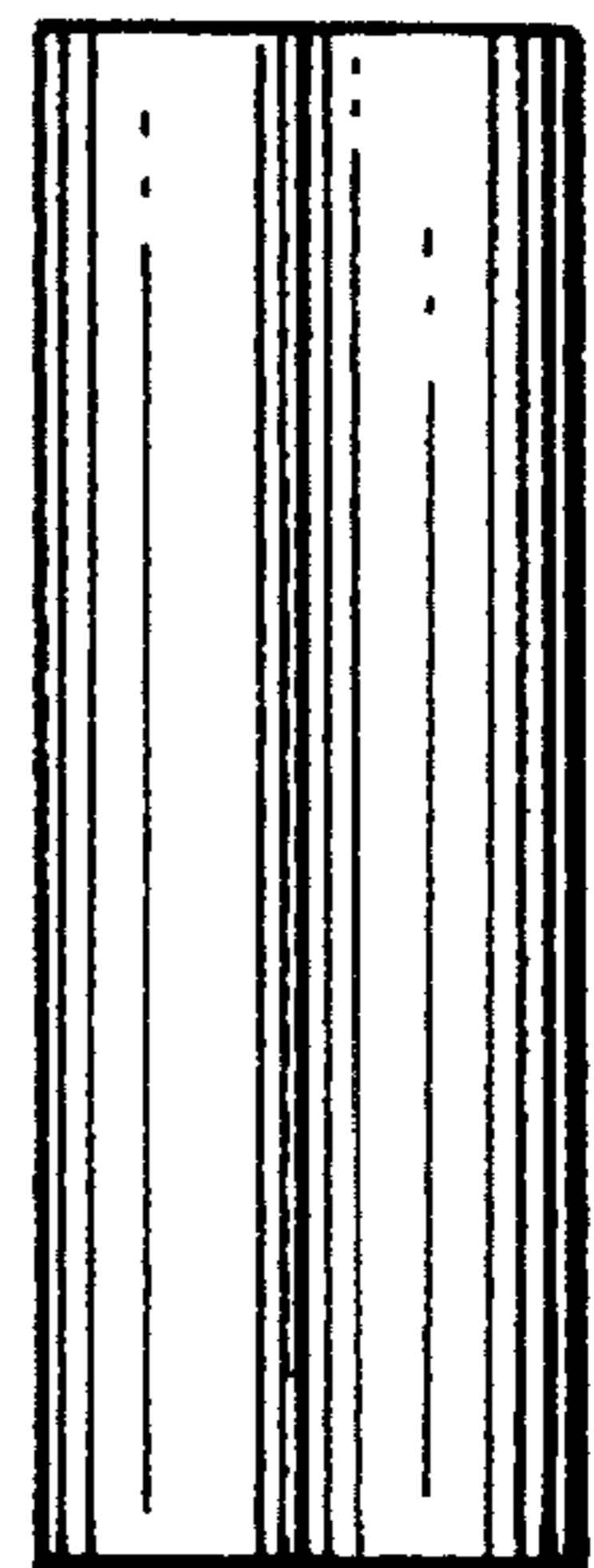


FIG.5

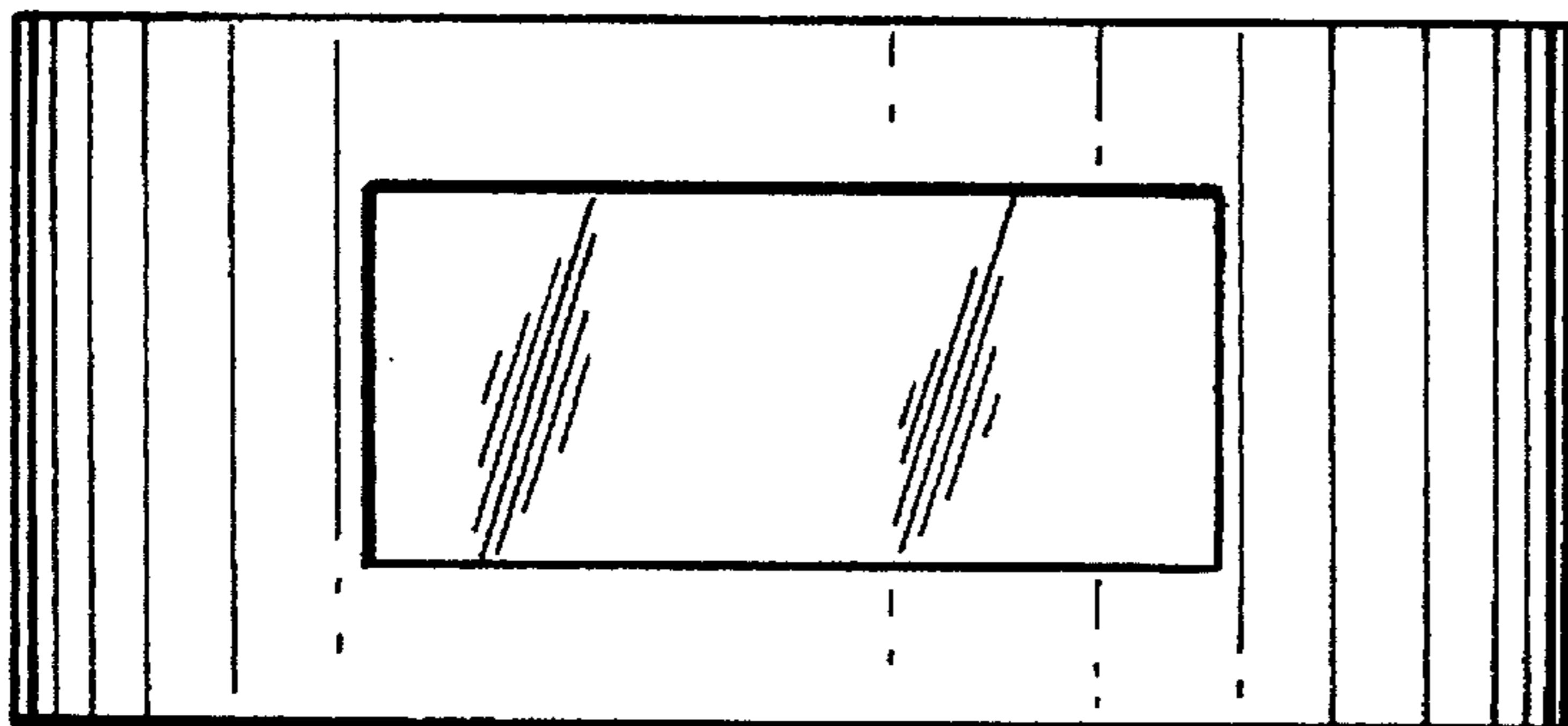


FIG.6

