



US00D373902S

United States Patent [19]

[11] Patent Number: **Des. 373,902**

Wang

[45] Date of Patent: ****Sep. 24, 1996**

[54] **SUPPORTING BRACKET FOR A RETRACTABLE HANDLE OF A SUITCASE**

5,461,756 10/1995 Wang 16/115

[76] Inventor: **King-sheng Wang**, No. 17, Lane 116, Ta An Gan Rd., Tachia Chen, Taichung Hsien, Taiwan

Primary Examiner—Ted Shooman
Assistant Examiner—Philip Hyder
Attorney, Agent, or Firm—Kolisch, Hartwell, McCormack, Dickinson & Heuser

[**] Term: **14 Years**

[57] **CLAIM**

[21] Appl. No.: **42,379**

The ornamental design for a supporting bracket for a retractable handle of a suitcase, as shown and described.

[22] Filed: **Aug. 9, 1995**

DESCRIPTION

[52] U.S. Cl. **D3/318; D8/349**

[58] Field of Search D3/279, 318; 16/115, 16/111 R; 190/18 A, 115, 114; D8/349, 373

FIG. 1 is a front-left-top perspective view of a supporting bracket for a retractable handle of a suitcase, showing my new design;

FIG. 2 is a front elevational view thereof;

FIG. 3 is a rear elevational view thereof;

FIG. 4 is a left side elevational view thereof, the right side elevational view being a mirror image thereof;

FIG. 5 is a top plan view thereof;

FIG. 6 is a bottom plan view thereof; and,

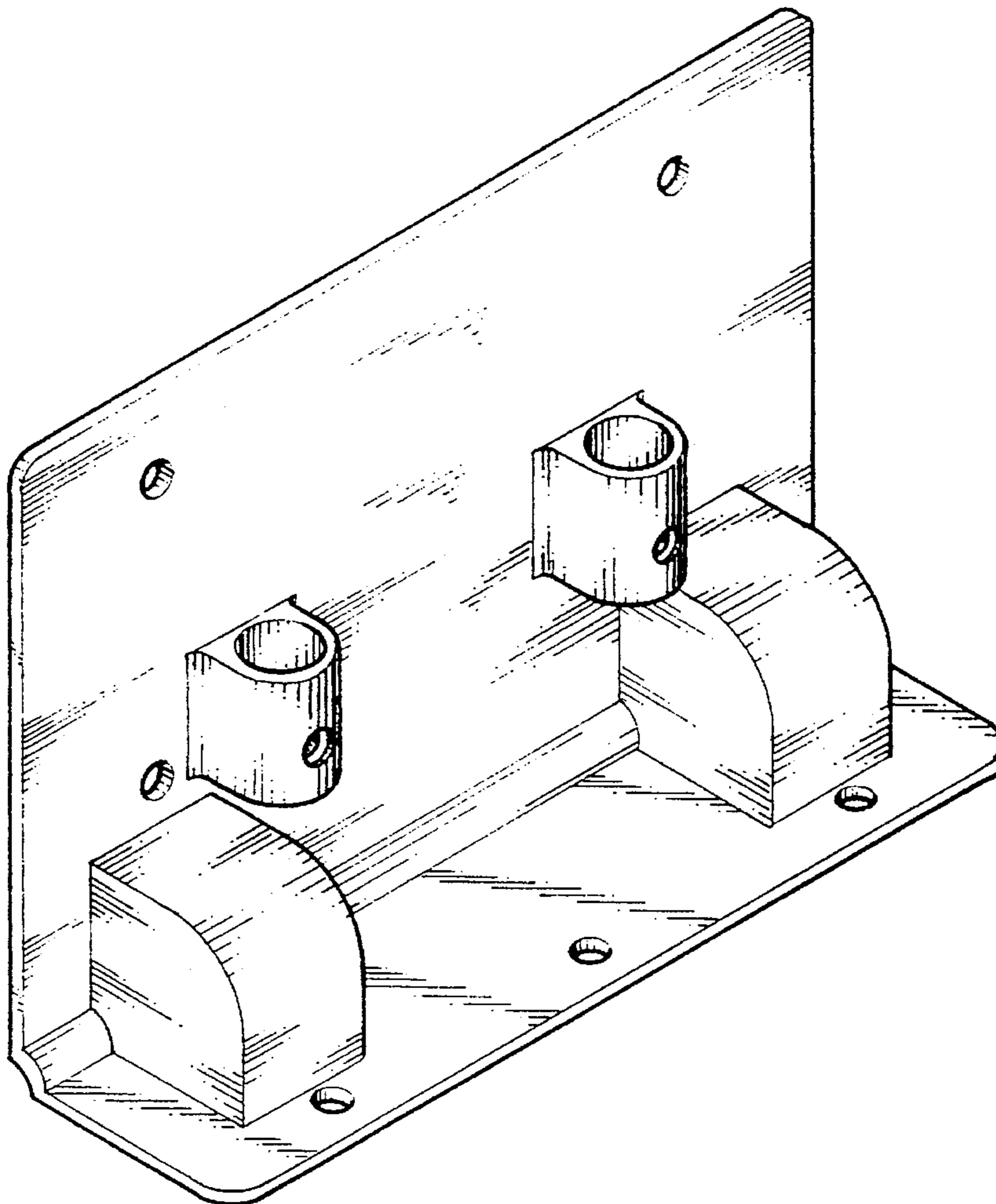
FIG. 7 is a perspective view thereof, wherein the broken line showing of the of the suit case is for illustrative purposes only and forms no part of the claimed design.

[56] **References Cited**

U.S. PATENT DOCUMENTS

5,335,759	8/1994	Yeh	190/18 A
5,355,980	10/1994	Hsieh	16/115
5,414,895	5/1995	Kazmark, Jr.	16/115
5,433,461	7/1995	Chang	190/18 A
5,447,217	9/1995	Chou	190/18 A
5,452,778	9/1995	Wang	190/18 A
5,460,393	10/1995	Tsai	190/18 A

1 Claim, 4 Drawing Sheets



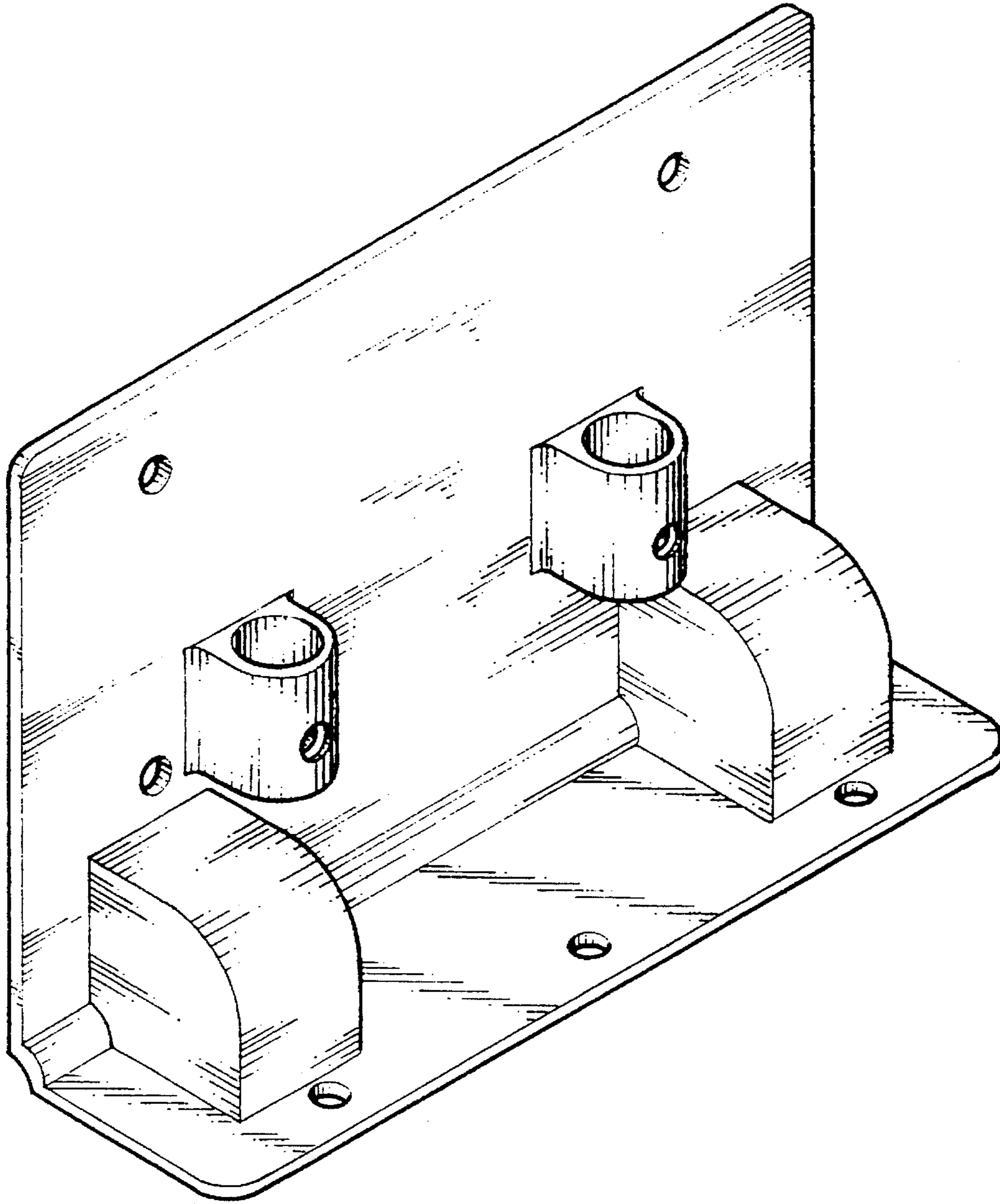


FIG. 1

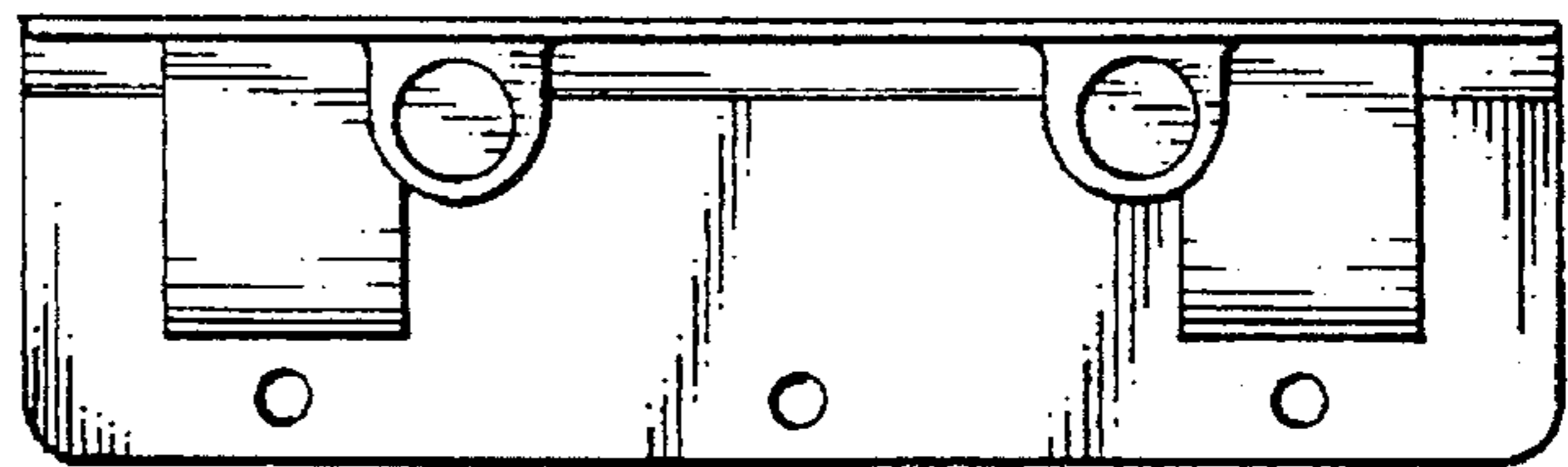


FIG. 5

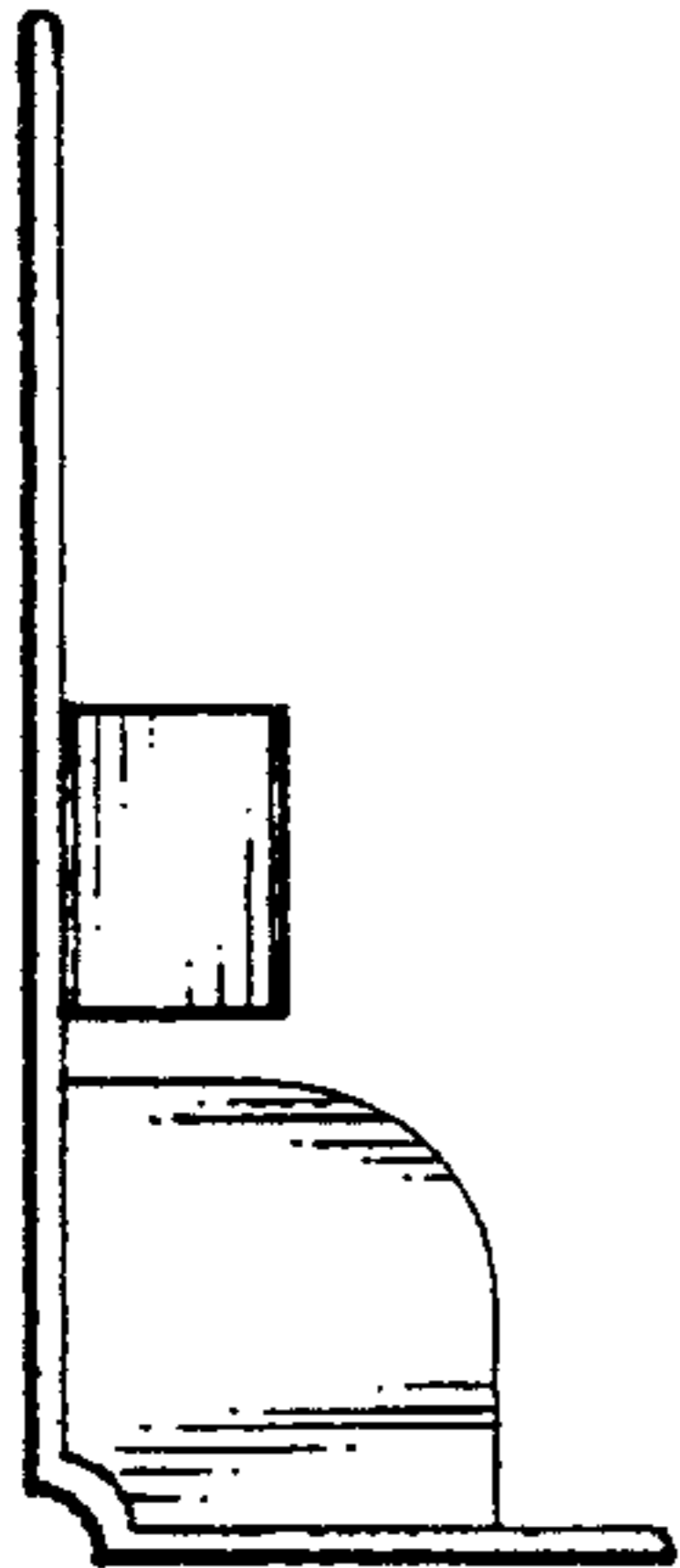


FIG. 4

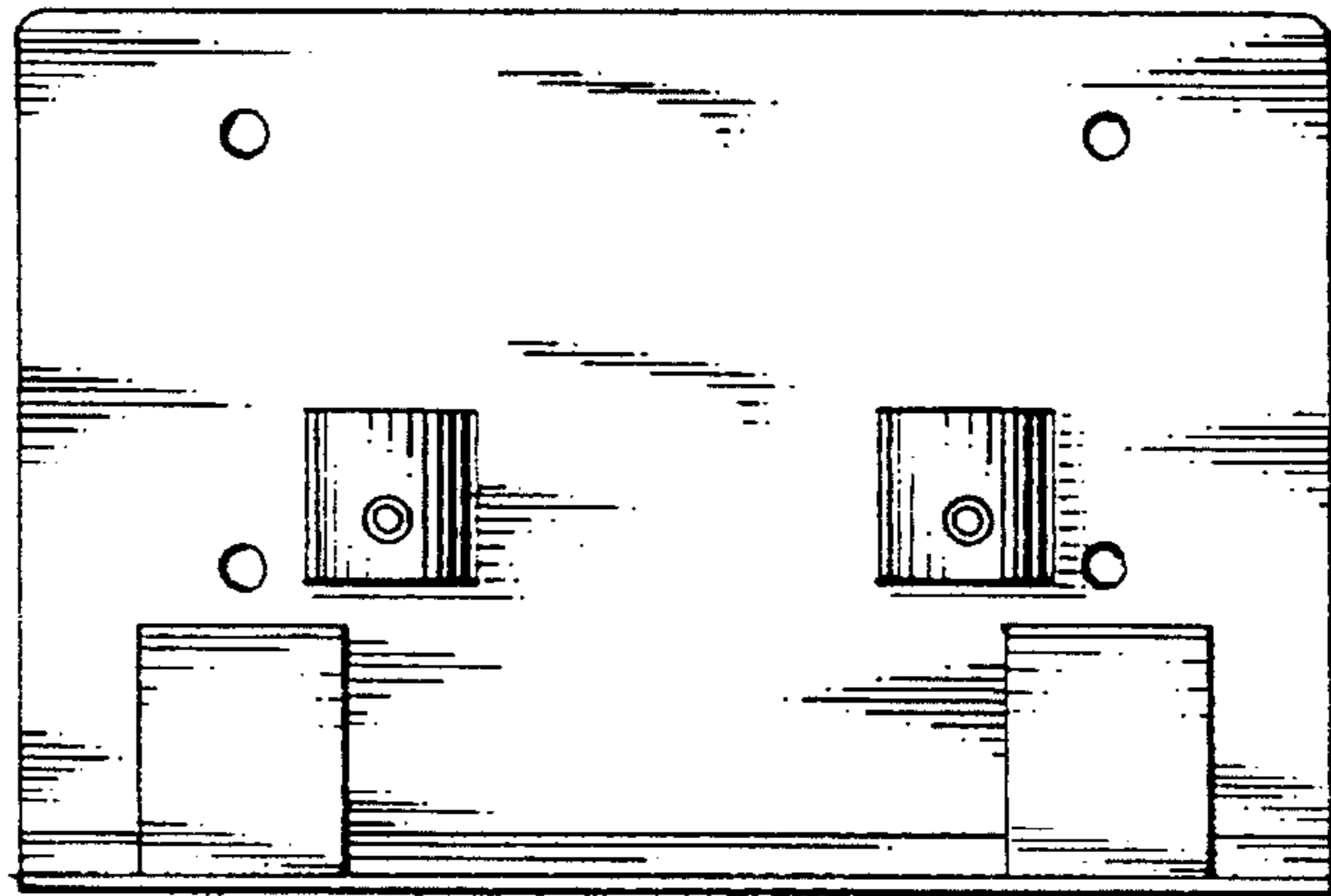


FIG. 2

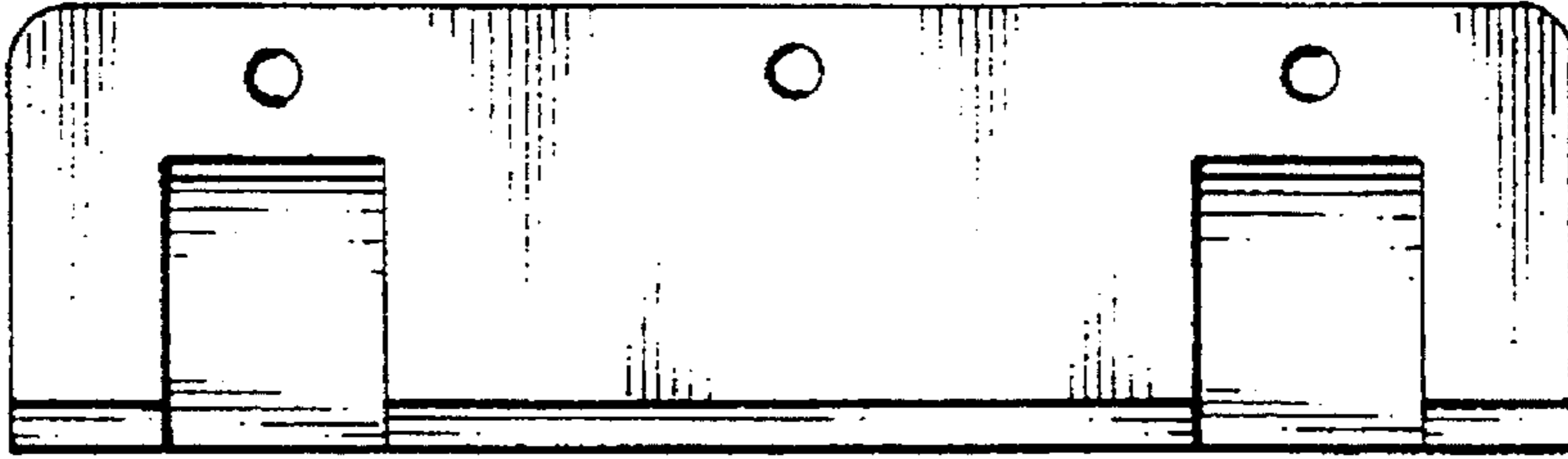


FIG. 6

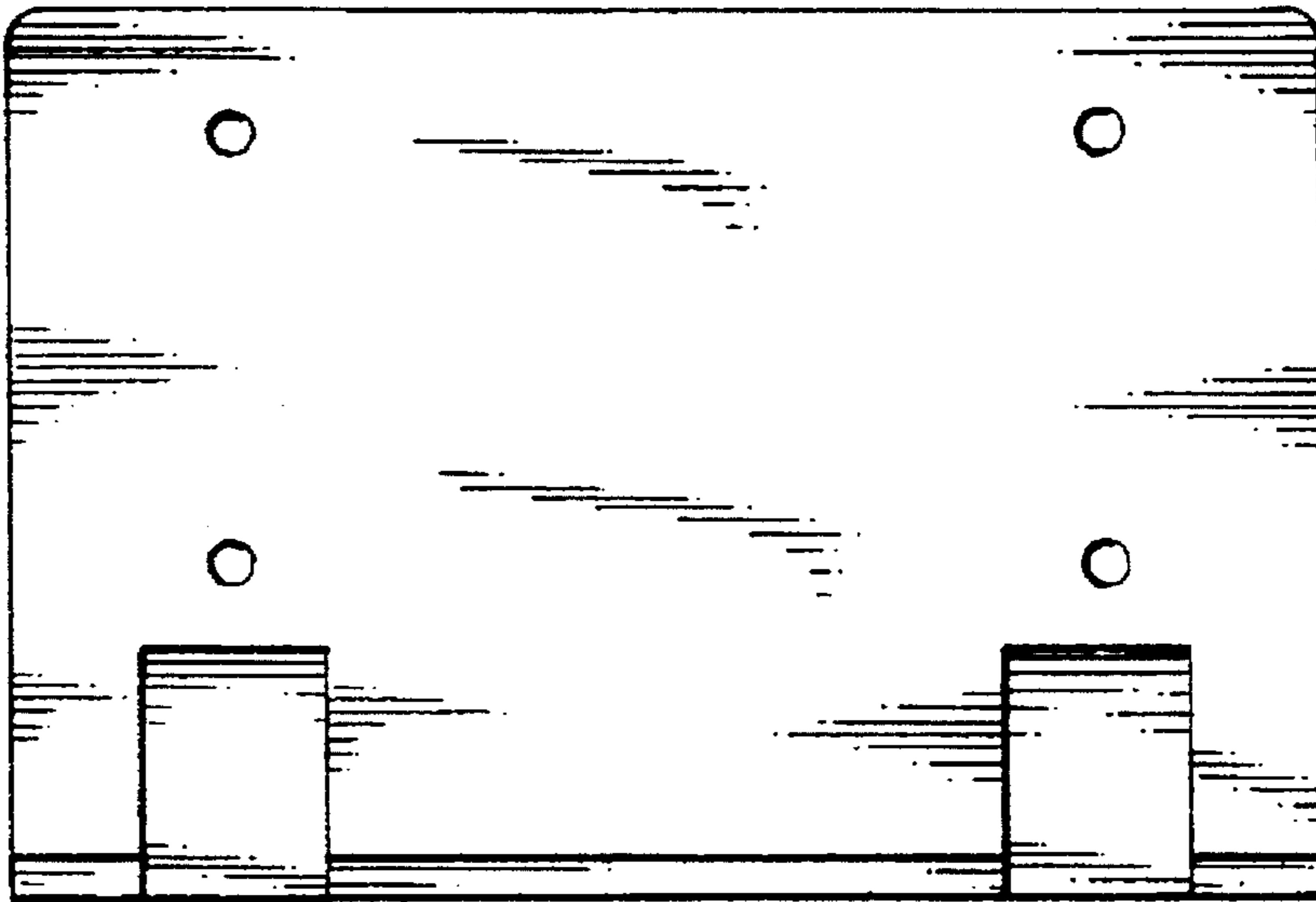


FIG. 3

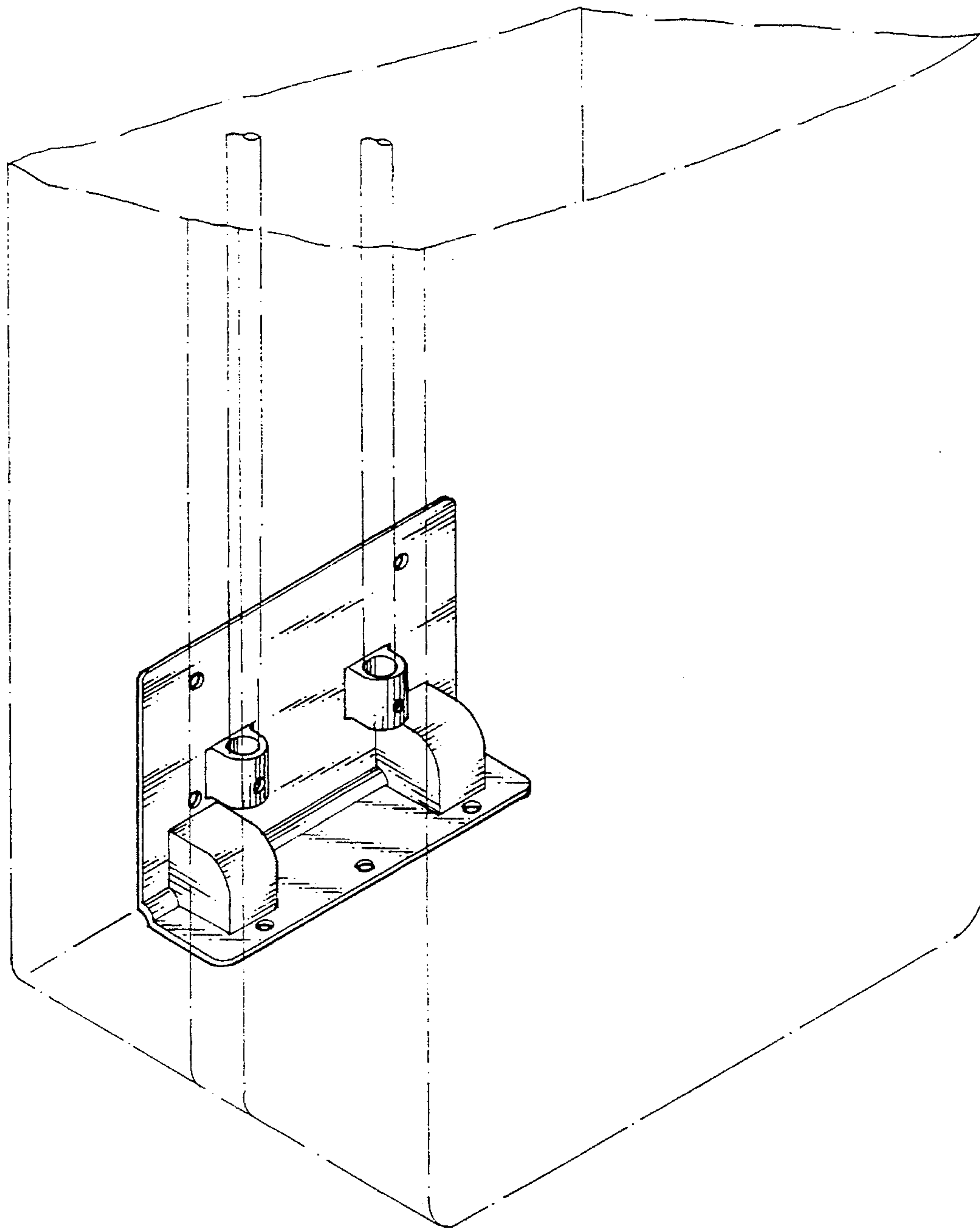


FIG. 7