



US00D373894S

United States Patent [19]

Turner

[11] Patent Number: **Des. 373,894**

[45] Date of Patent: ****Sep. 24, 1996**

[54] CAP

[76] Inventor: **Larry G. Turner**, 3180 Brandywine Pl., Marietta, Ga. 30064

[**] Term: **14 Years**

[21] Appl. No.: **39,201**

[22] Filed: **May 23, 1995**

[52] U.S. Cl. **D2/881; D2/865**

[58] Field of Search D2/865, 867, 870, D2/872, 874, 877, 879, 880, 881, 882, 876, 500, 501; 2/171, 181, 195.1, 195.8, 209.12, 209.13

[56] **References Cited**

U.S. PATENT DOCUMENTS

| | | | |
|------------|---------|---------------------|----------|
| D. 284,517 | 7/1986 | Gray | D2/869 X |
| D. 350,847 | 9/1994 | Thomas | D2/881 X |
| D. 357,792 | 5/1995 | Cromer | D2/881 X |
| D. 359,384 | 6/1995 | Dlugokesia | D2/865 X |
| D. 365,432 | 12/1995 | Buccelli | D2/881 |
| 882,686 | 3/1908 | Ireland et al. | D2/865 X |
| 1,505,289 | 8/1924 | Sanders | D2/865 X |
| 1,622,647 | 3/1927 | Jackson | D2/865 X |

| | | | |
|-----------|---------|------------------|----------|
| 2,147,504 | 2/1939 | Spanel | D2/867 X |
| 3,321,774 | 5/1967 | Tames | 2/181 |
| 3,512,181 | 5/1970 | Osborne | D2/881 X |
| 4,873,726 | 10/1989 | Tapia . | |
| 5,070,545 | 12/1991 | Tapia . | |
| 5,177,810 | 1/1993 | Minton et al. . | |
| 5,253,364 | 10/1993 | Robinson . | |
| 5,343,567 | 9/1994 | Zumbiel . | |
| 5,381,559 | 1/1995 | Wakefield, III . | |

Primary Examiner—Paula A. Mortimer
Attorney, Agent, or Firm—Hopkins & Thomas

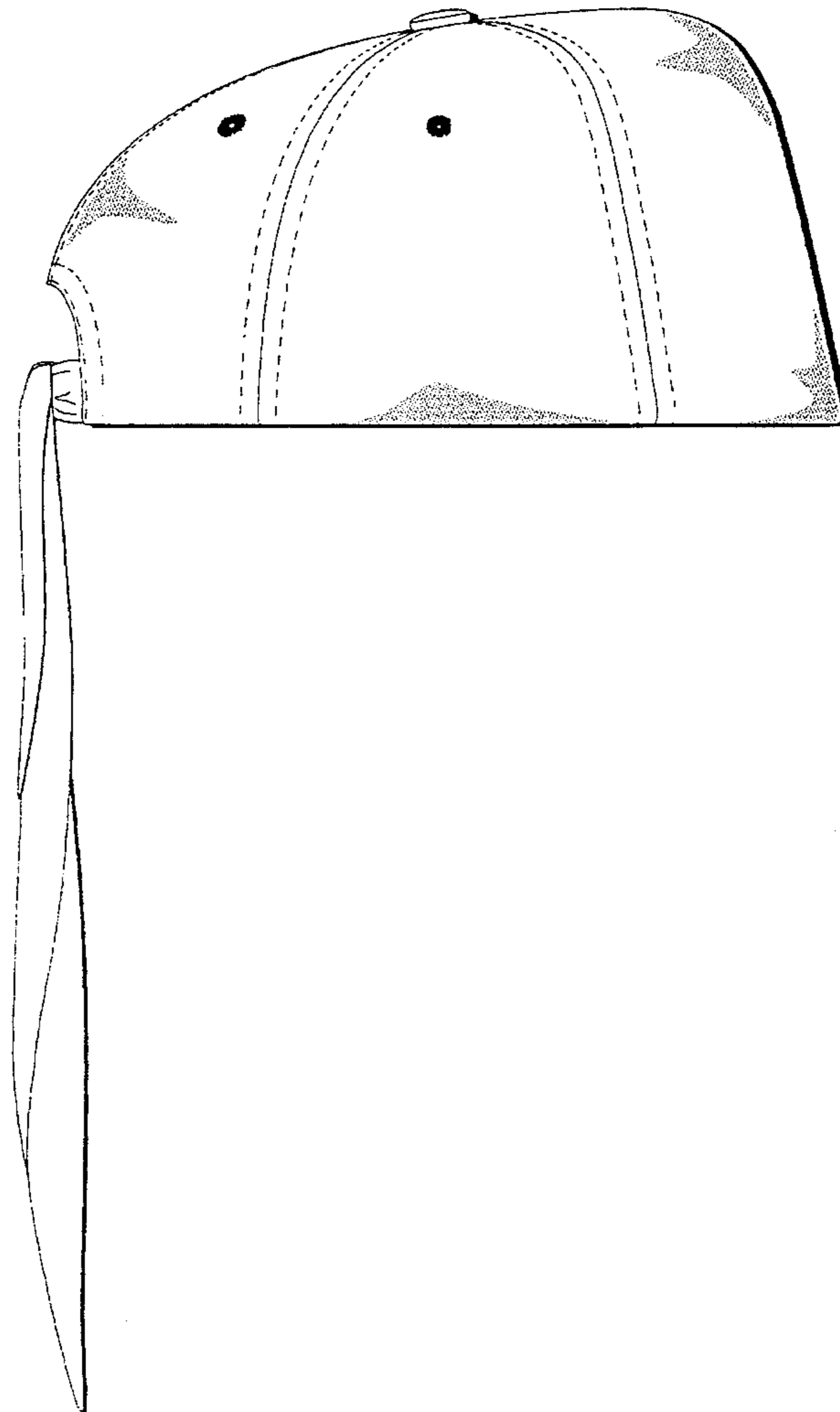
[57] **CLAIM**

The ornamental design of a cap, as shown and described.

DESCRIPTION

FIG. 1 is a perspective view of a cap showing my new design;
FIG. 2 is a left side elevational view thereof, the right side being a mirror image thereof;
FIG. 3 is a front elevational view thereof;
FIG. 4 is a rear elevational view thereof;
FIG. 5 is a top plan view thereof; and,
FIG. 6 is a bottom plan view thereof.

1 Claim, 4 Drawing Sheets



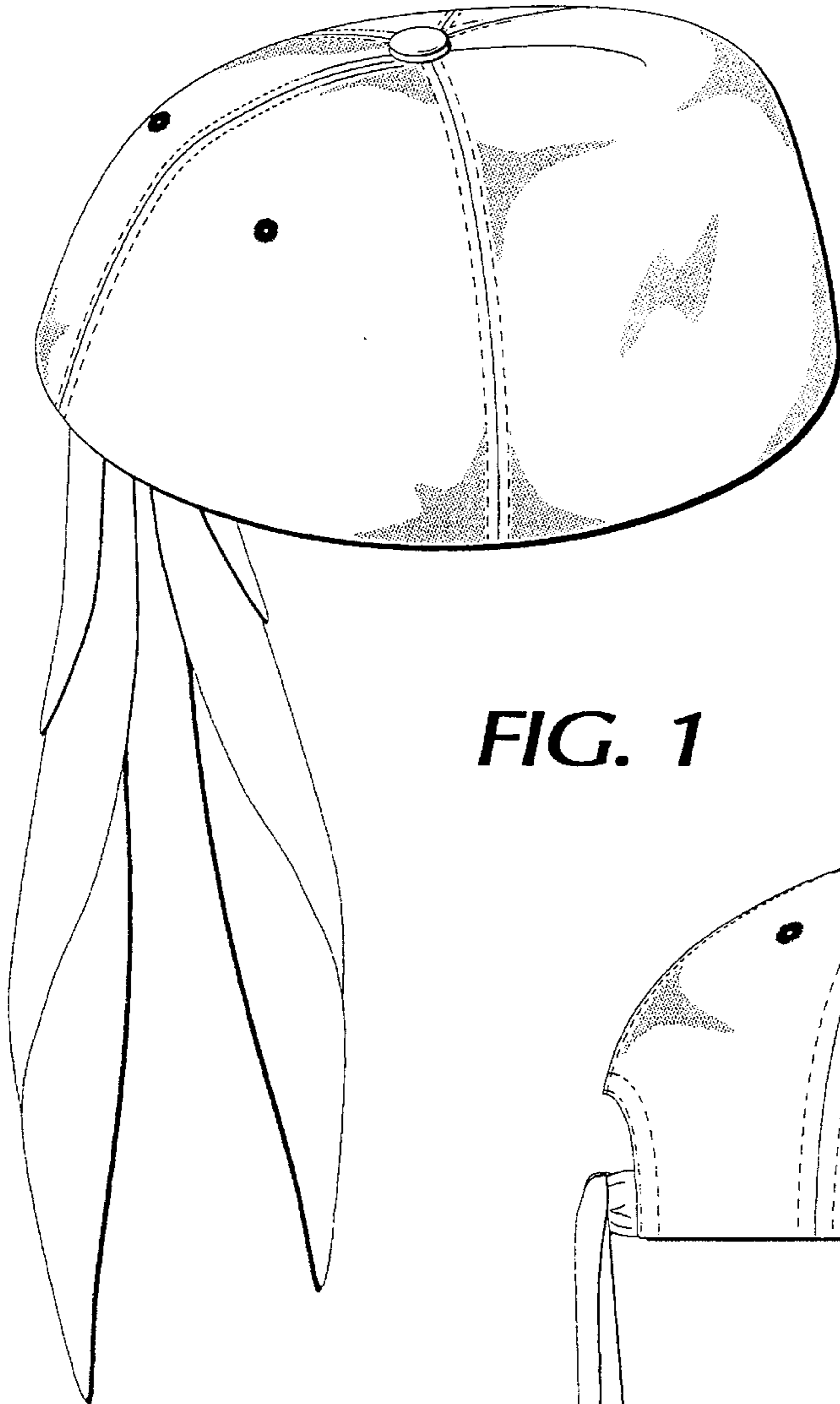


FIG. 1

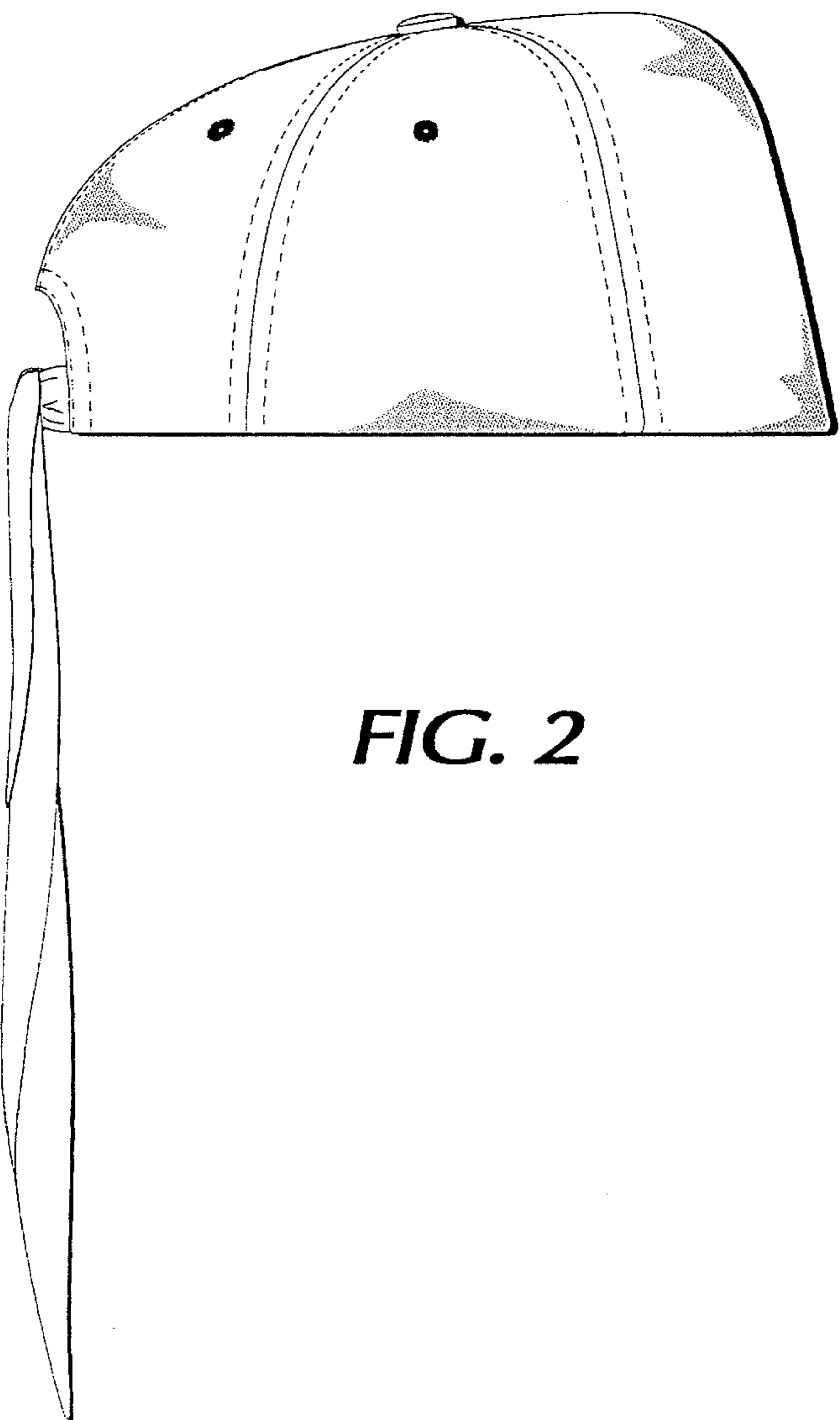


FIG. 2

FIG. 5

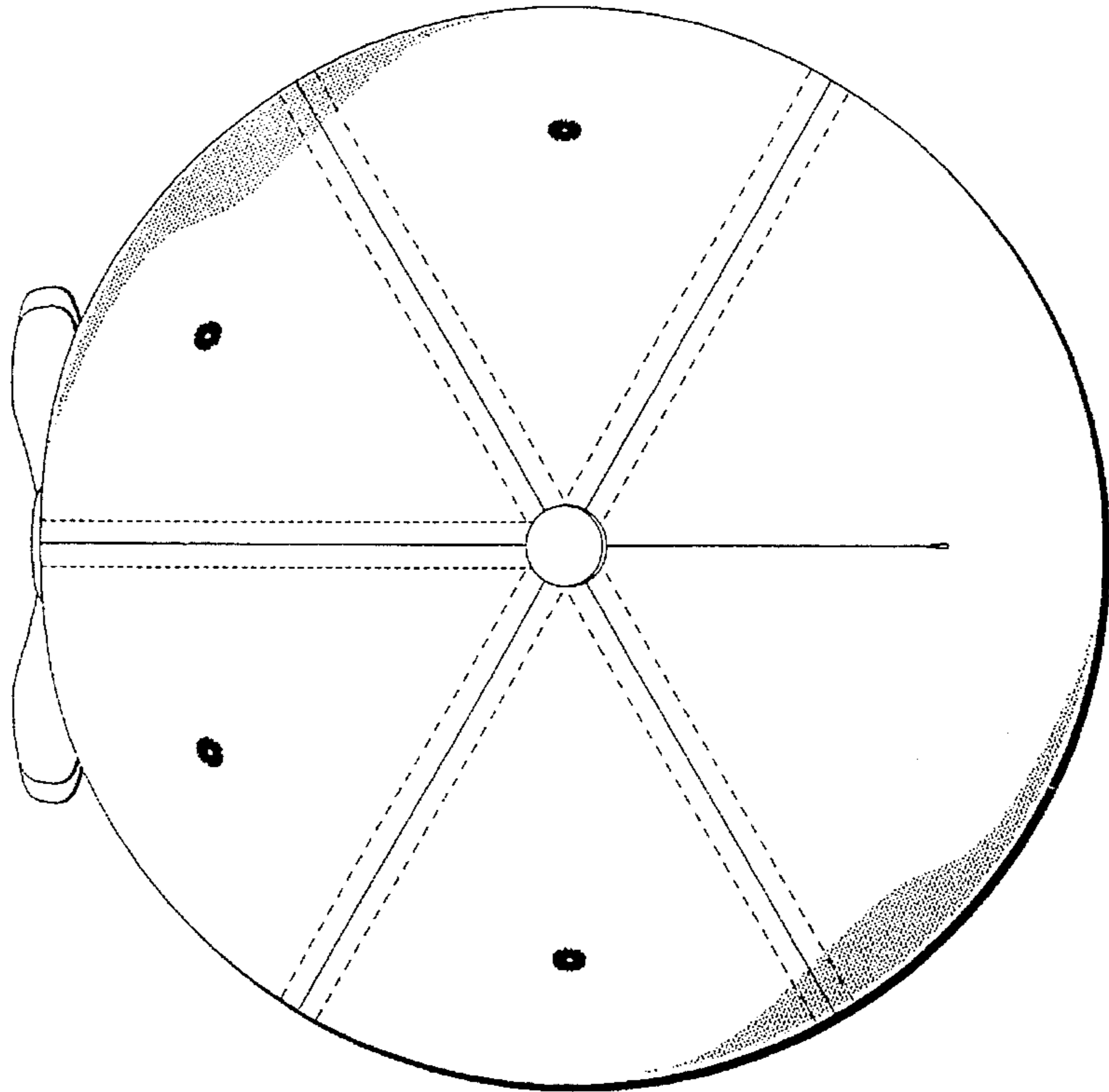
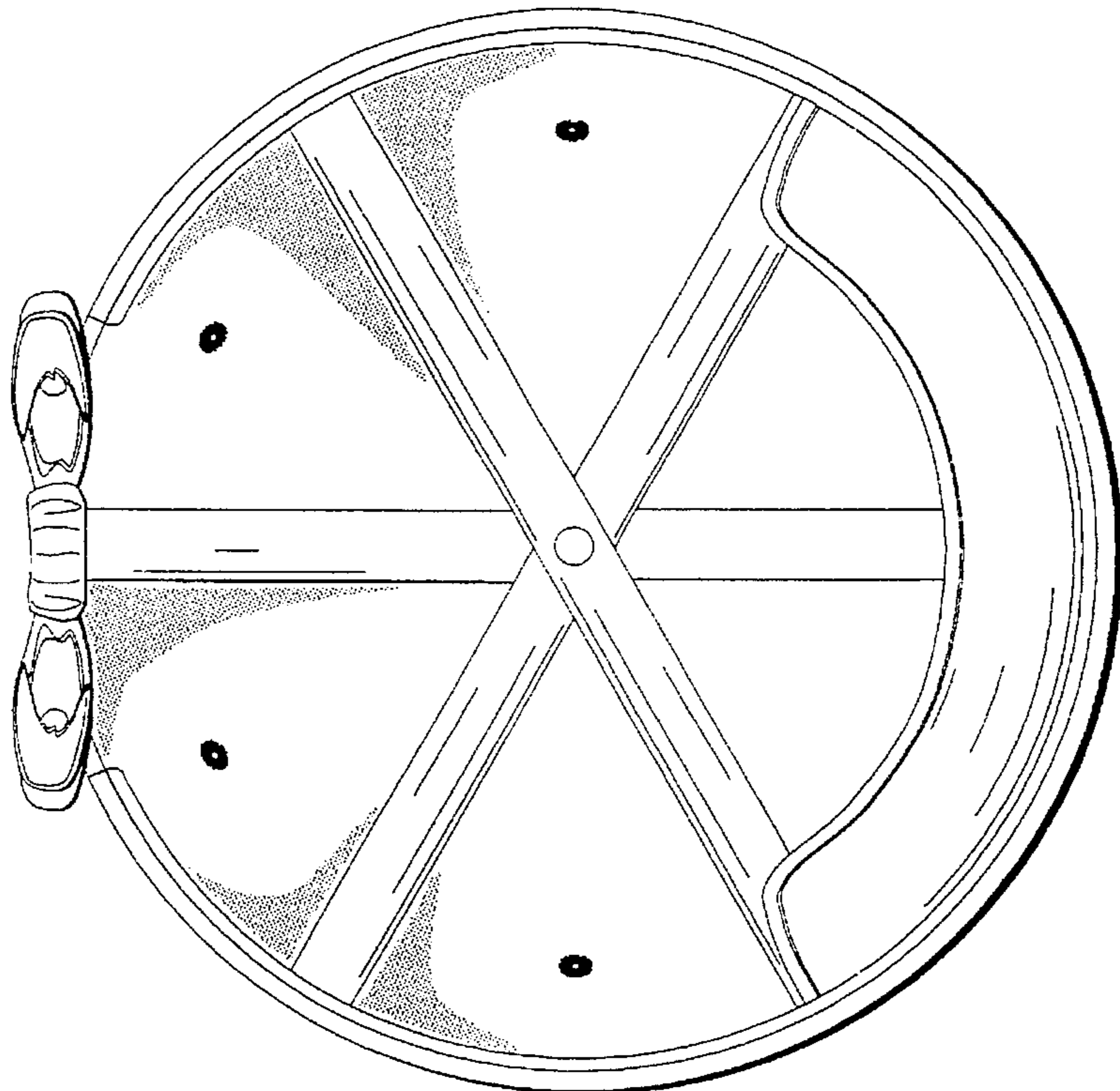


FIG. 6



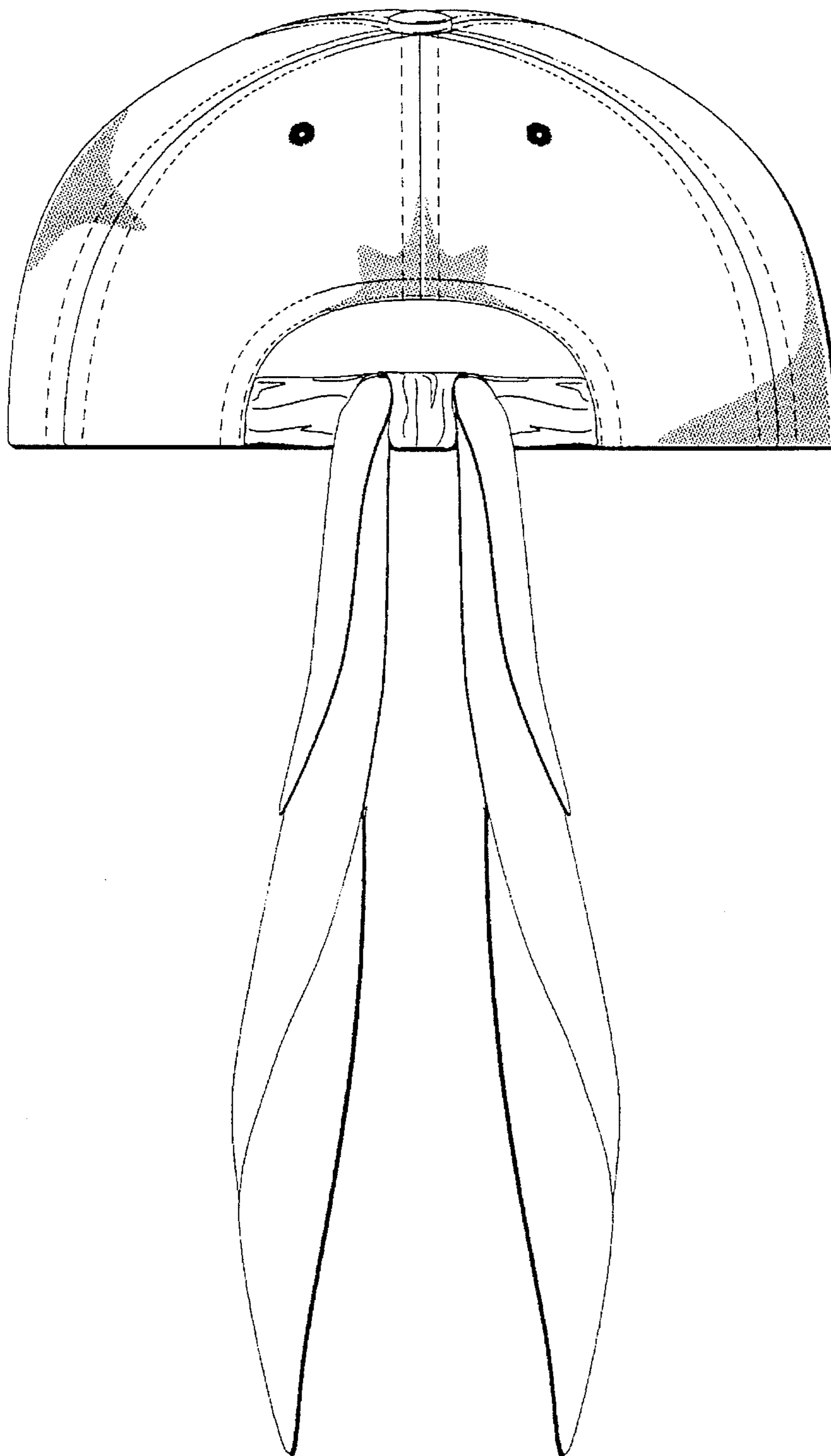


FIG. 4

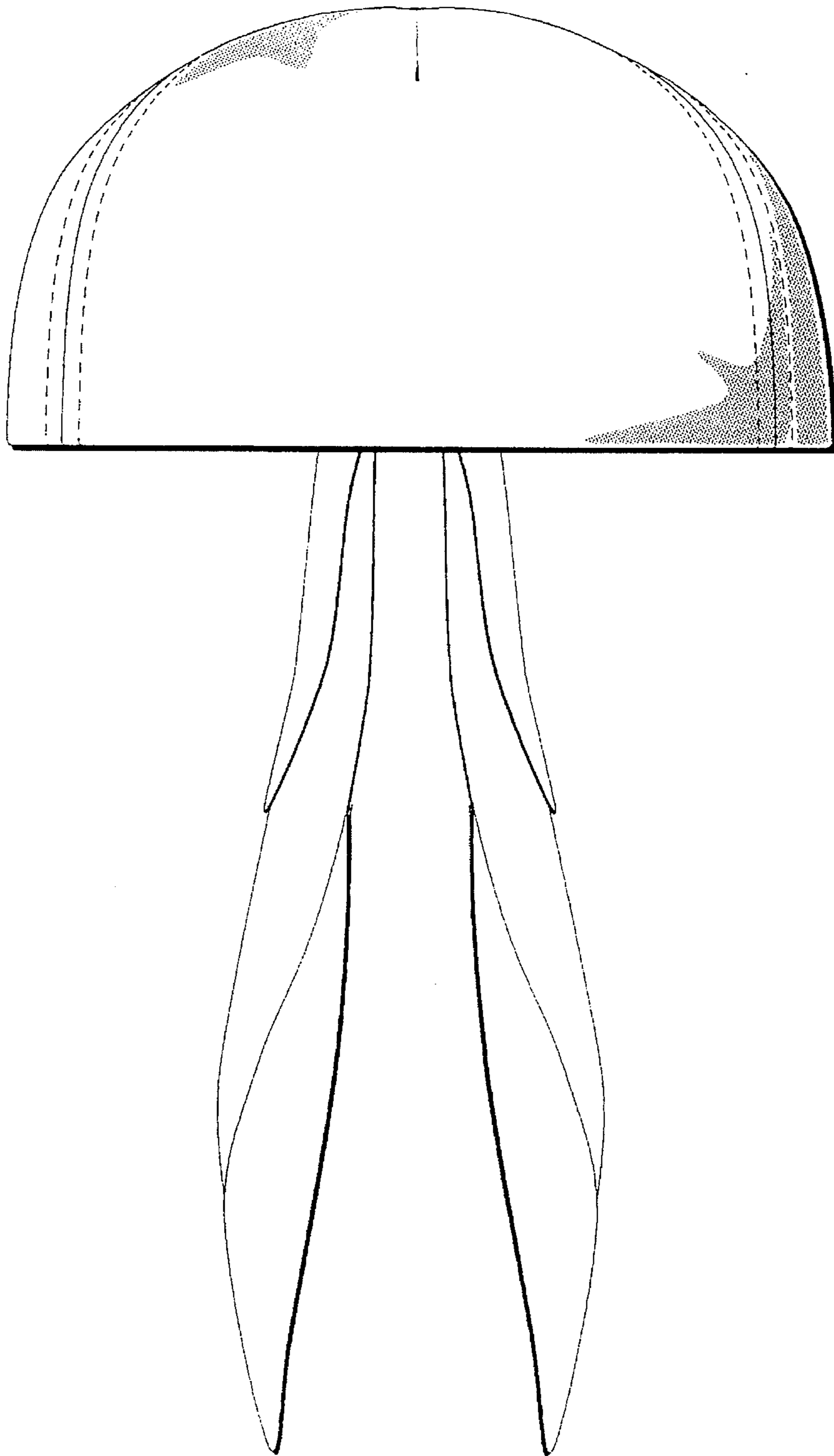


FIG. 3