



US00D373890S

# United States Patent [19]

Hiro et al.

[11] Patent Number: **Des. 373,890**

[45] Date of Patent: **\*\*Sep. 17, 1996**

[54] **COSMETIC COMPACT**

D. 355,507 2/1995 Weiss ..... D28/79

[75] Inventors: **Tetsuo Hiro; Tetsuo Togasawa**, both of Tokyo; **Yotsuda Chieko**, Yokohama, all of Japan

### OTHER PUBLICATIONS

Nang Kong Enterprise, Nov. 1987, p. 251: item Nos. 444 G, 9435/M and 5445/M.

[73] Assignee: **Shiseido Company, Ltd.**, Tokyo, Japan

*Primary Examiner*—Sandra L. Morris

[\*\*] Term: **14 Years**

*Assistant Examiner*—C. Tuttle

*Attorney, Agent, or Firm*—Lackebach Siegel Marzullo Aronson & Greenspan, P.C.

[21] Appl. No.: **39,388**

[22] Filed: **May 19, 1995**

### [57] CLAIM

The ornamental design for a cosmetic compact, as shown.

### [30] Foreign Application Priority Data

### DESCRIPTION

Nov. 21, 1994 [JP] Japan ..... 6-35103

[52] U.S. Cl. .... **D28/78**

[58] Field of Search ..... D28/76-84; D9/314, D9/420, 423; 132/298-307, 316; 206/235, 381, 323; 220/DIG. 26

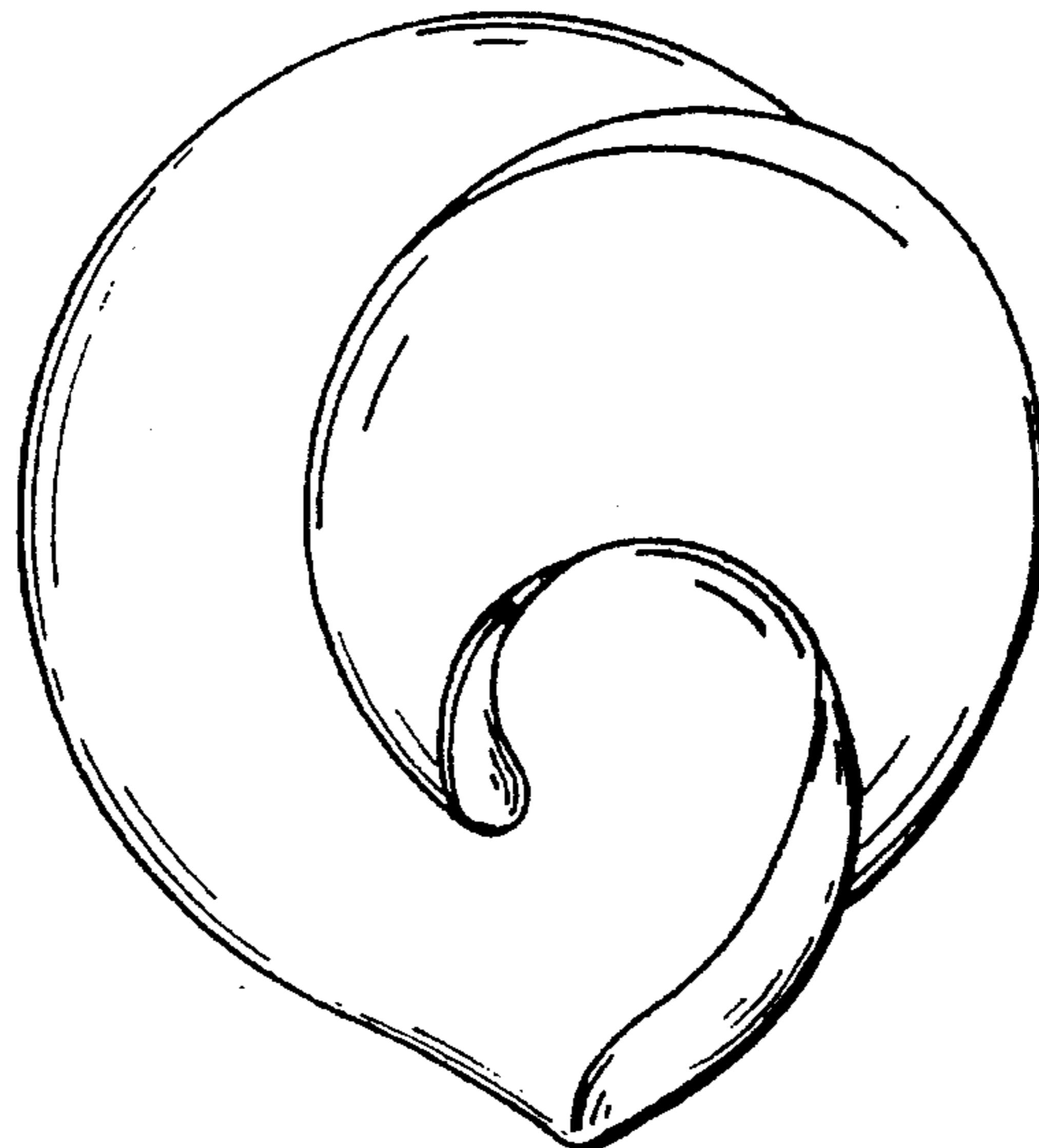
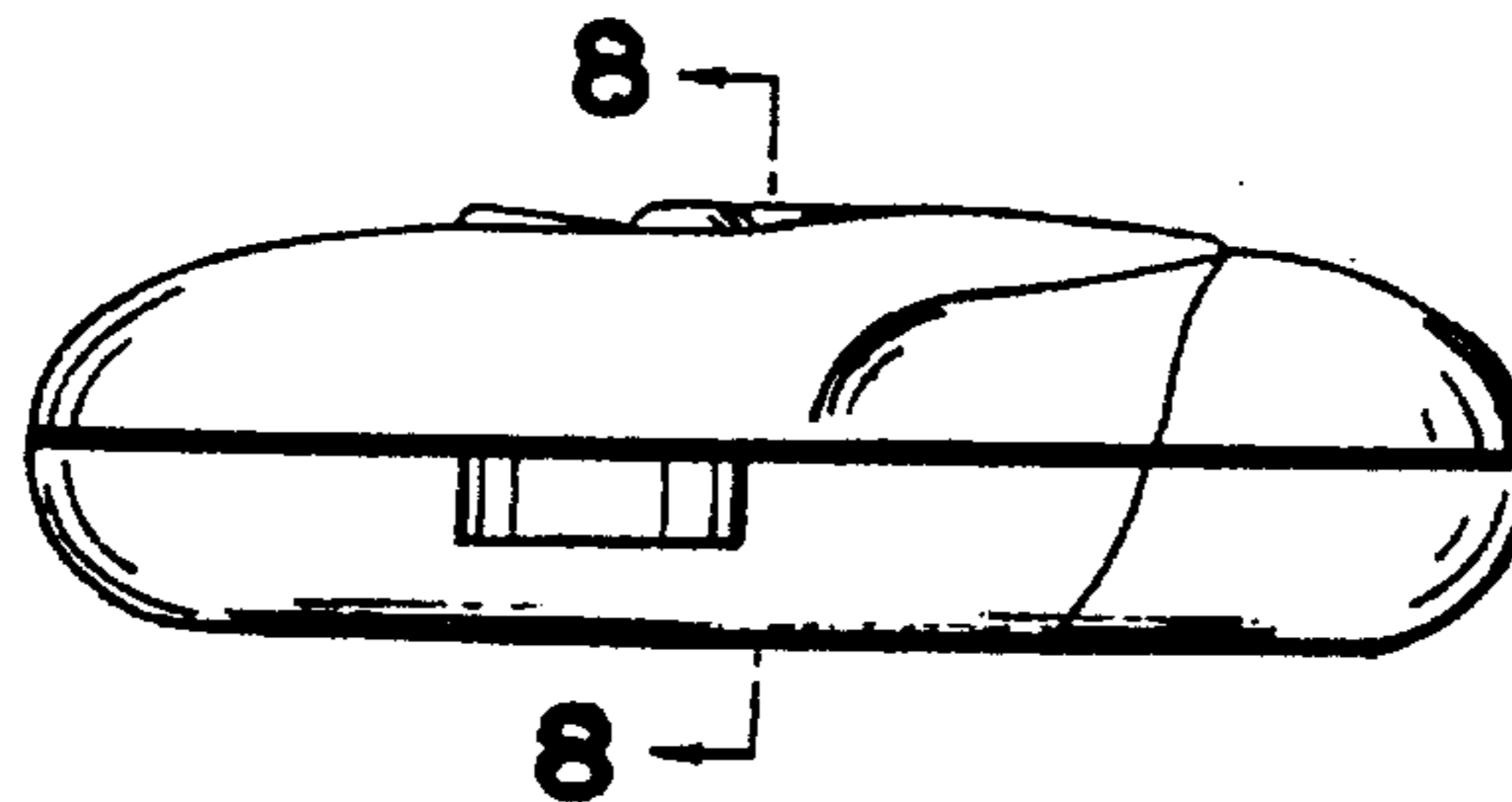
FIG. 1 is a front elevational view of our cosmetic compact; FIG. 2 is a rear elevational view thereof; FIG. 3 is a right side view thereof; FIG. 4 is a left side view thereof; FIG. 5 is a top plan view thereof; FIG. 6 is a bottom plan view thereof; FIG. 7 is a top plan view thereof, but with the compact opened; and, Fig. 8 is a cross-sectional view taken along the line 8—8 of FIG. 1.

### [56] References Cited

#### U.S. PATENT DOCUMENTS

- D. 124,222 12/1940 Lawrence ..... D28/81
- D. 169,367 4/1953 Ferraro ..... D9/315
- D. 252,590 8/1979 Peretti et al. .... D28/80
- D. 276,087 10/1984 Kotyuk, Jr. .... D28/79
- D. 333,560 3/1993 Miyashita et al. .... D3/294

**1 Claim, 2 Drawing Sheets**



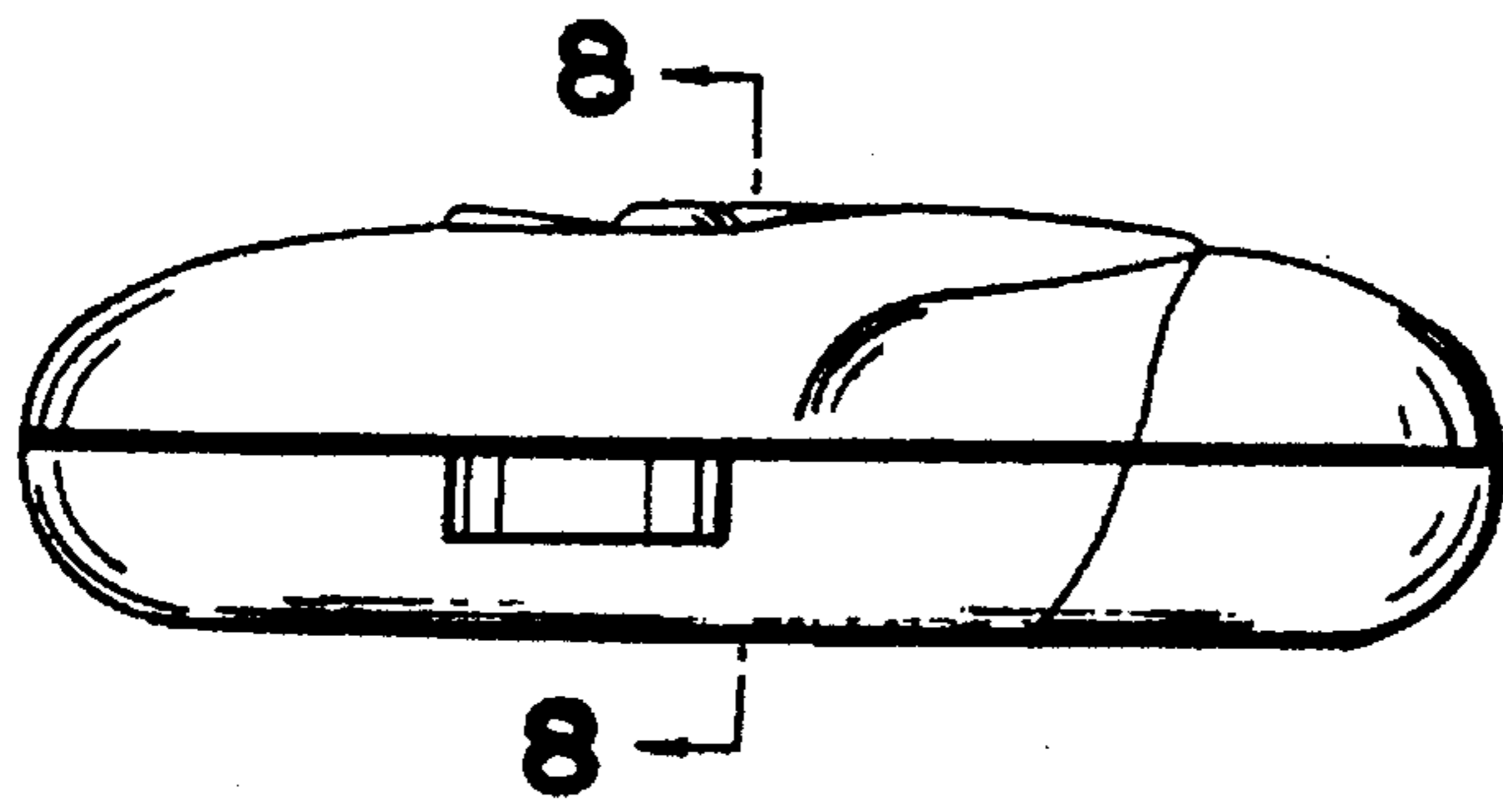


FIG. 1

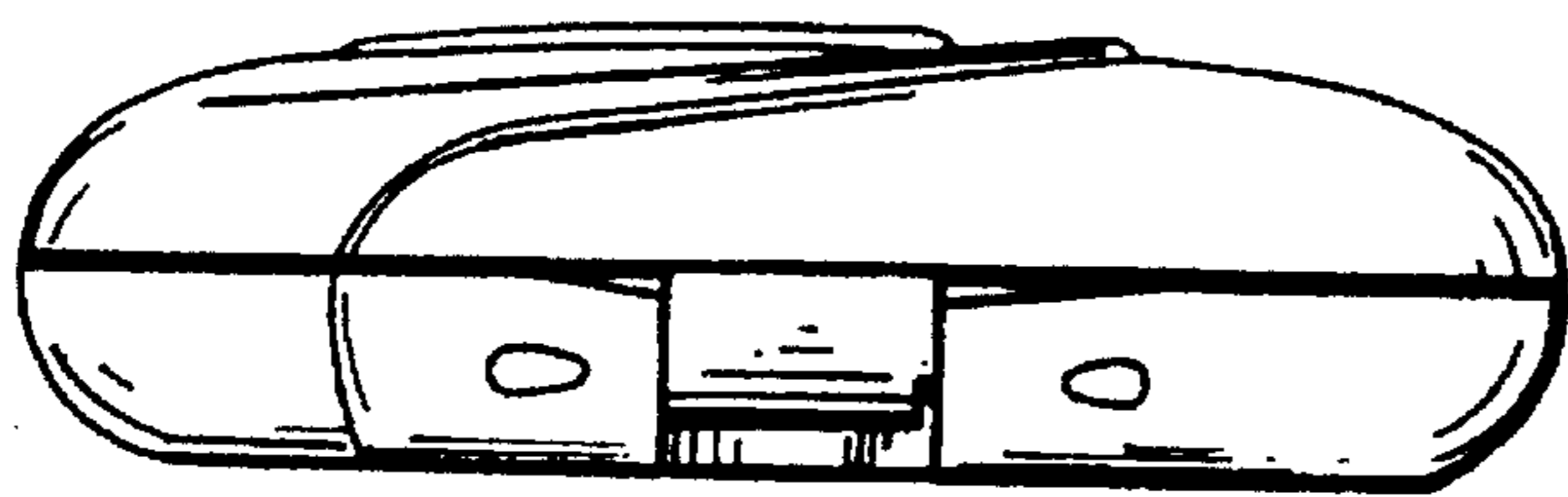


FIG. 2

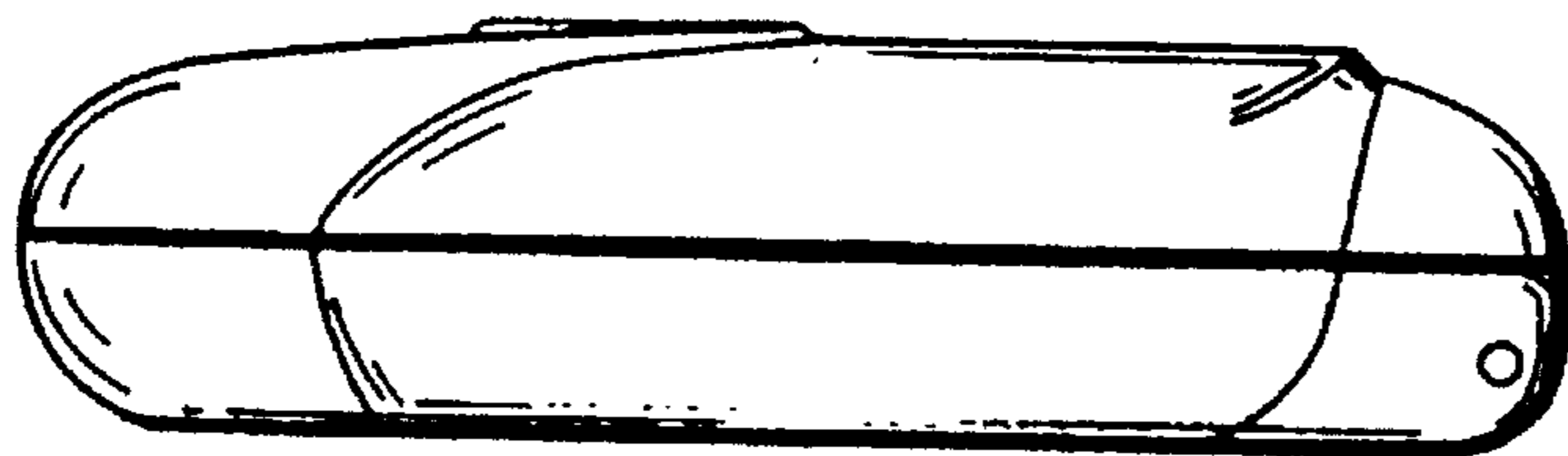


FIG. 3

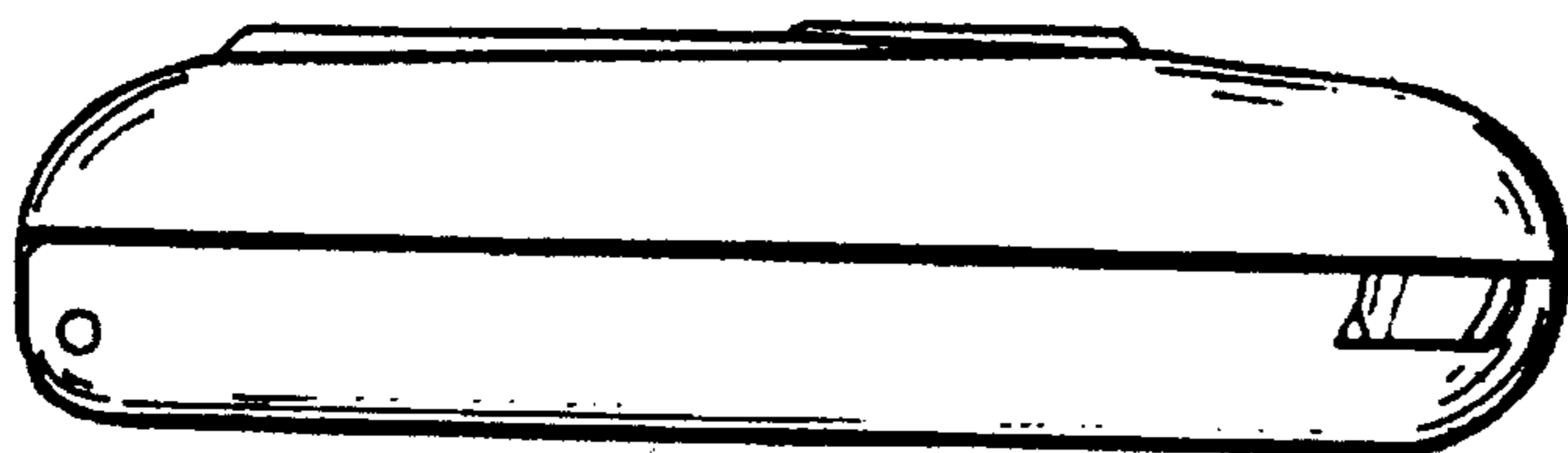


FIG. 4

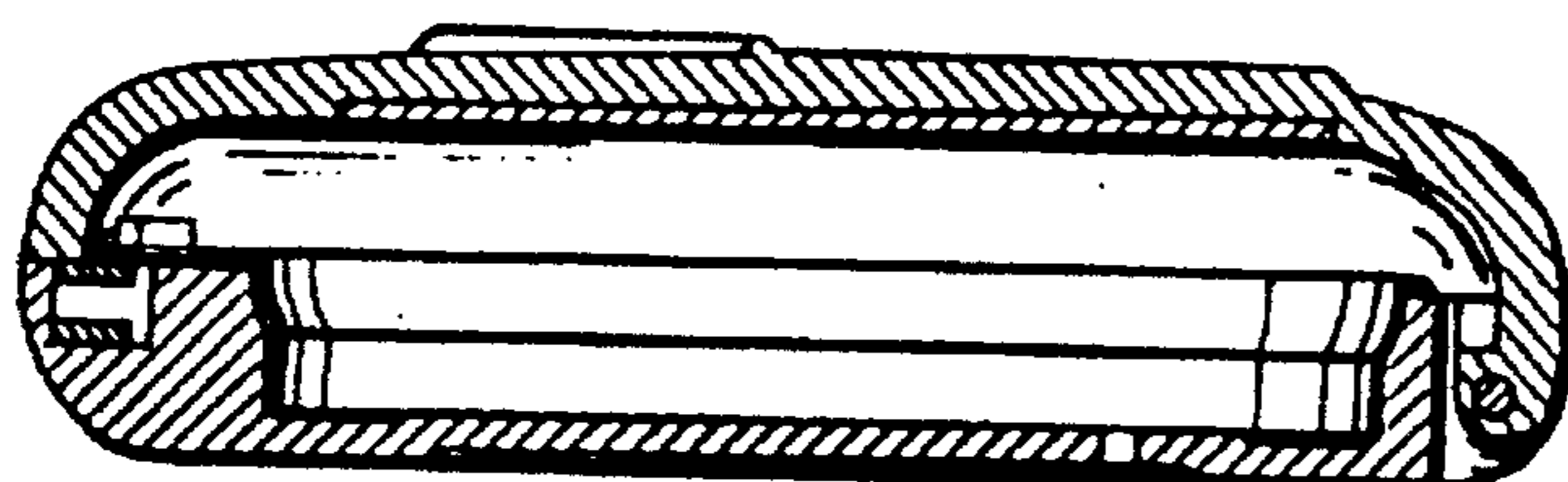


FIG. 8

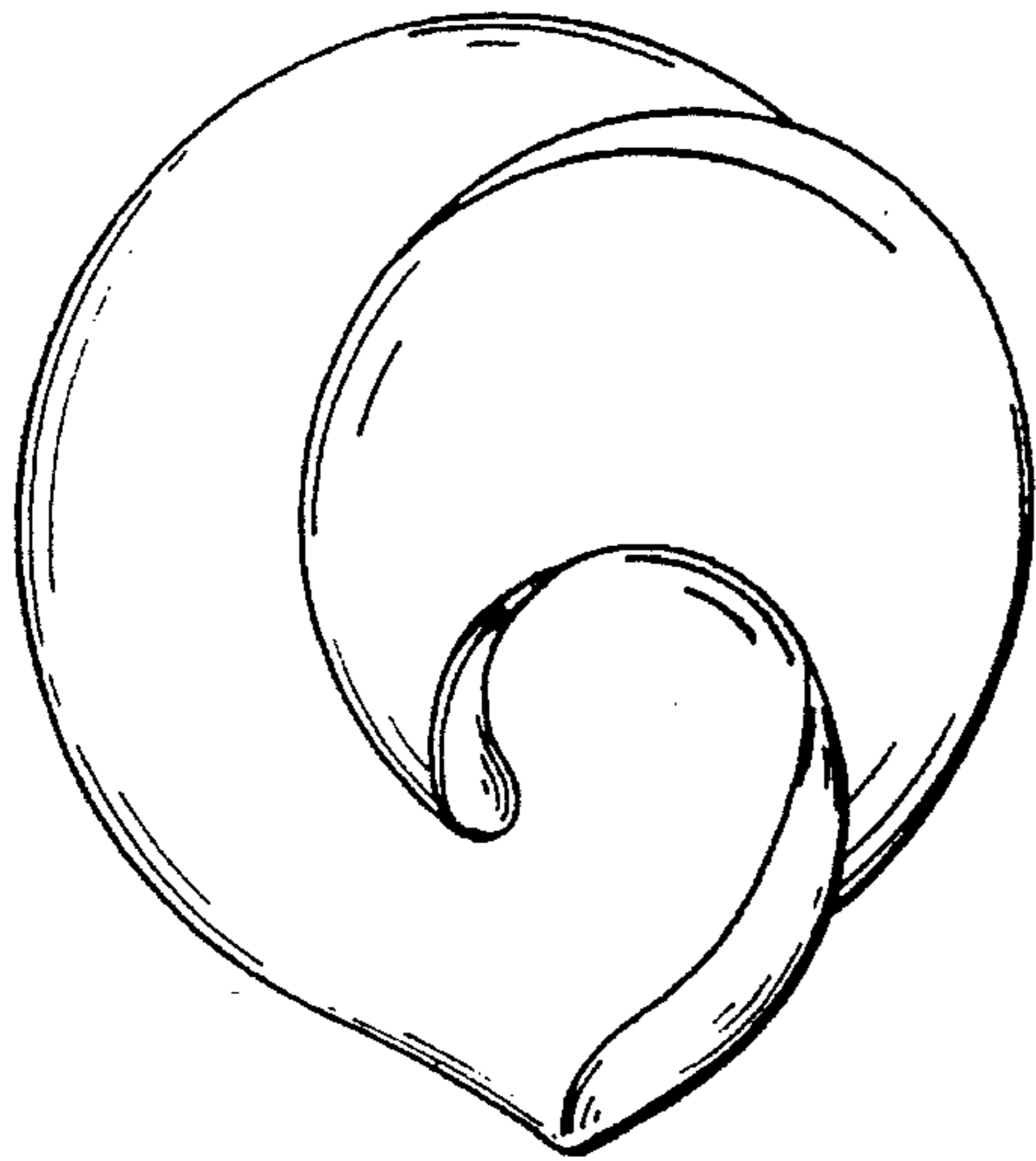


FIG. 5

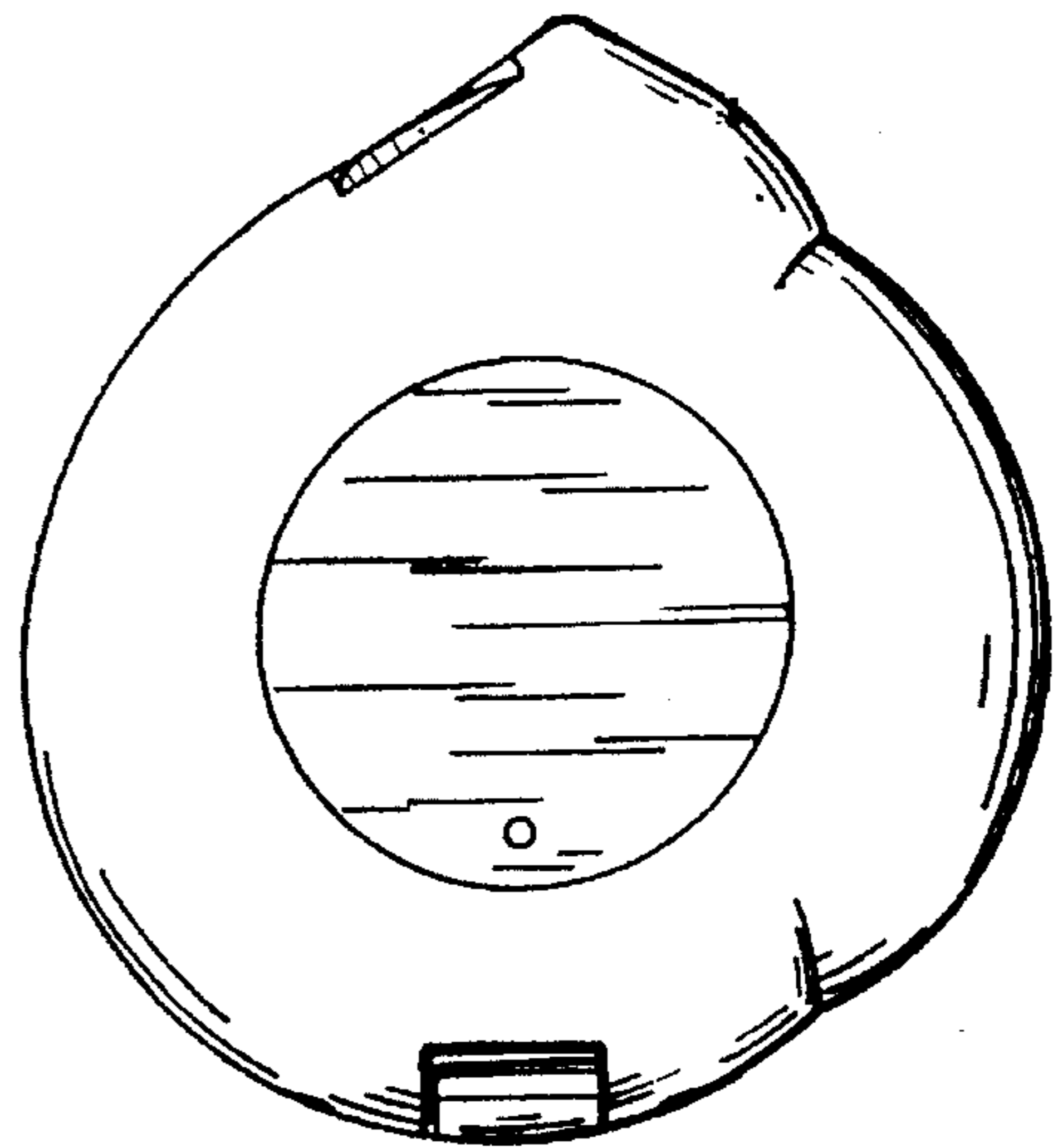


FIG. 6

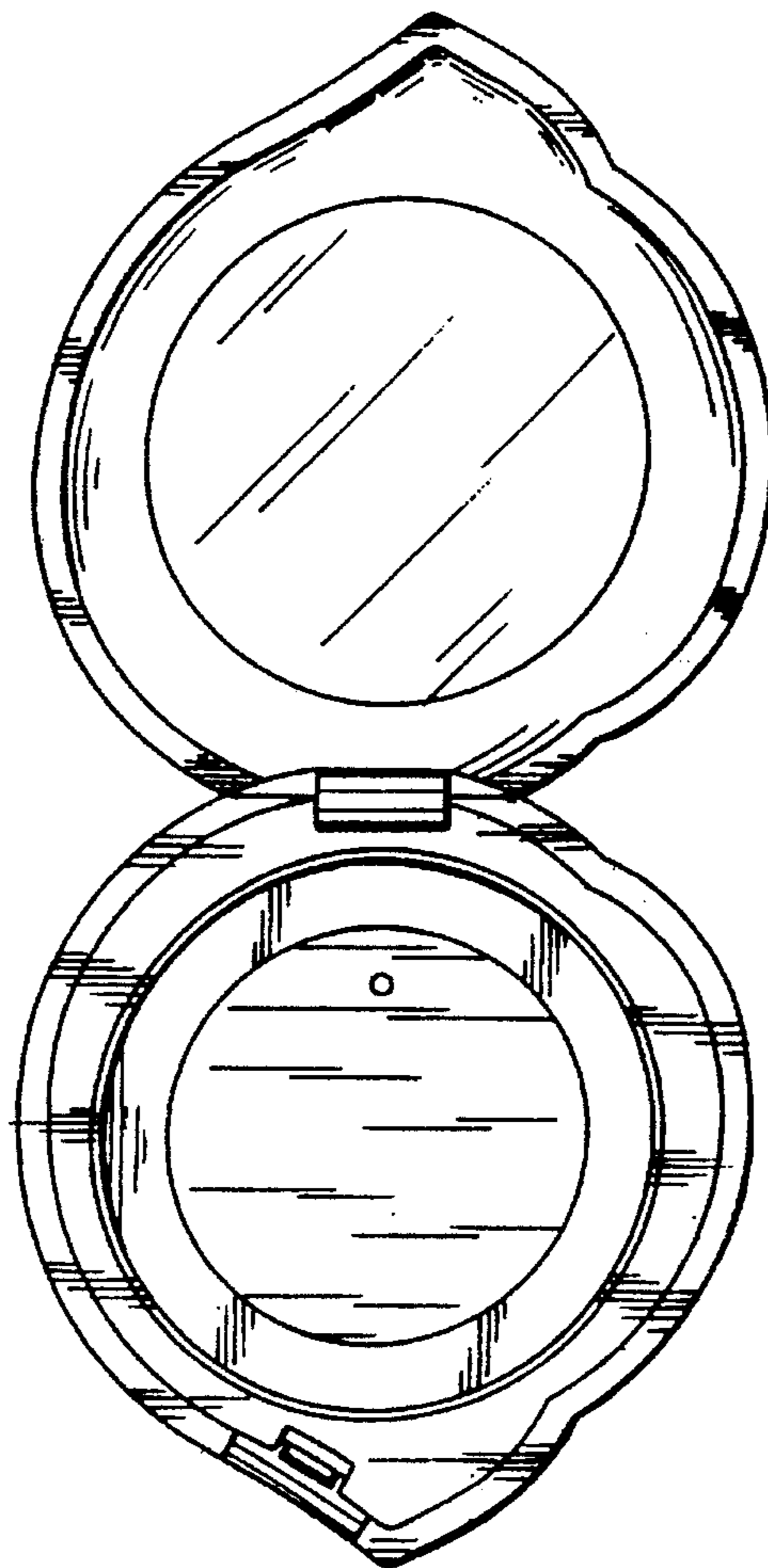


FIG. 7