



US00D373887S

United States Patent [19]

Soederberg

[11] Patent Number: **Des. 373,887**

[45] Date of Patent: ****Sep. 17, 1996**

[54] LIFT TRUCK WITH DRIVER'S SEAT

[75] Inventor: **Richard Soederberg**, Muehlacker, Germany

[73] Assignee: **Dr. Ing. h.c.F. Porsche AG**, Weissach, Germany

[**] Term: **14 Years**

[21] Appl. No.: **32,638**

[22] Filed: **Dec. 22, 1994**

[30] Foreign Application Priority Data

Jun. 22, 1994 [DE] Germany M9404823.1

[52] U.S. Cl. **D34/34**

[58] Field of Search D34/28, 34, 37; 414/785, 592, 640; 180/12, 194, 89.14, 89.17, 89.18, 89.19; 187/222, 237-8

[56] References Cited

U.S. PATENT DOCUMENTS

| | | | |
|------------|---------|----------------------|---------|
| D. 222,670 | 11/1971 | Goodacre et al. | D34/34 |
| D. 237,371 | 10/1975 | Brown | D34/37 |
| D. 348,759 | 7/1994 | Bhambra | D34/28 |
| 2,327,848 | 8/1943 | Schroeder | 187/222 |
| 2,354,178 | 7/1944 | Ulinski | 187/222 |
| 2,758,890 | 8/1956 | Boylan | 187/238 |
| 3,143,190 | 8/1964 | Knights et al. | 187/238 |
| 3,240,372 | 3/1966 | Joyce et al. | 187/222 |

OTHER PUBLICATIONS

Item #9, p. 9 Modern Materials Handling Catalog, Feb. 1959.

Primary Examiner—A. Hugo Word
Assistant Examiner—Robin V. Taylor
Attorney, Agent, or Firm—Evenson, McKeon, Edwards & Lenahan, P.L.L.C.

[57] CLAIM

The ornamental design for a lift truck with driver's seat, as shown and described.

DESCRIPTION

FIG. 1 is a right side view of the lift truck with the driver's seat according to my novel design;

FIG. 2 is a left side view of the lift truck with the driver's seat according to my novel design;

FIG. 3 is a front view of the lift truck with the driver's seat according to my novel design;

FIG. 4 is a rear view of the lift truck with the driver's seat according to my novel design;

FIG. 5 is a top view of the lift truck with the driver's seat according to my novel design;

FIG. 6 is an enlarged view of the top, left portion of the lift truck with driver's seat shown fragmented for ease of illustration;

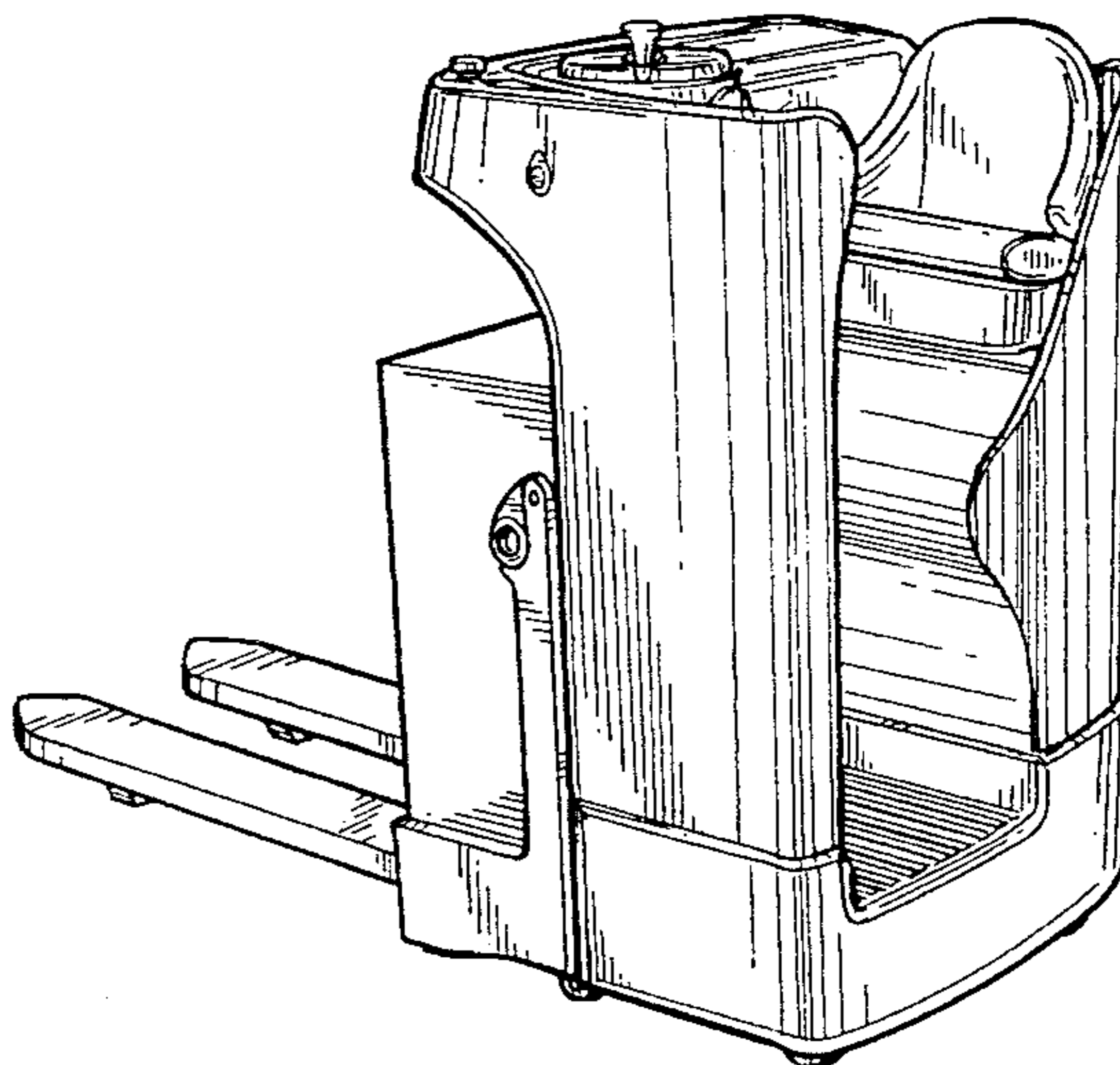
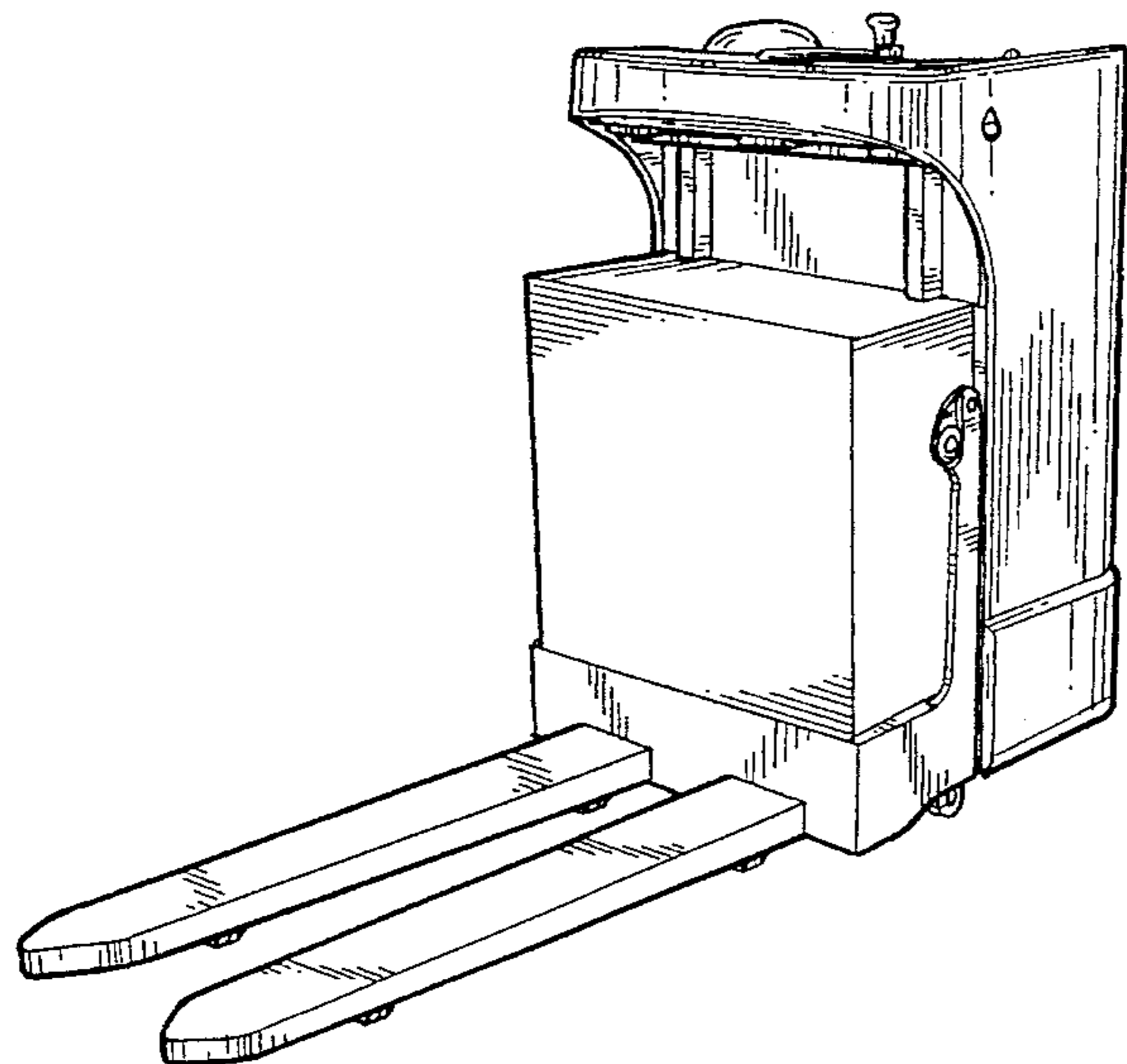
FIG. 7 is a front right perspective view of the lift truck with the driver's seat according to my novel design;

FIG. 8 is a front left perspective view of the lift truck with the driver's seat according to my novel design;

FIG. 9 is a right rear perspective view of the lift truck with the driver's seat according to my novel design; and,

FIG. 10 is a left rear perspective view of the lift truck with the driver's seat according to my novel design.

1 Claim, 5 Drawing Sheets



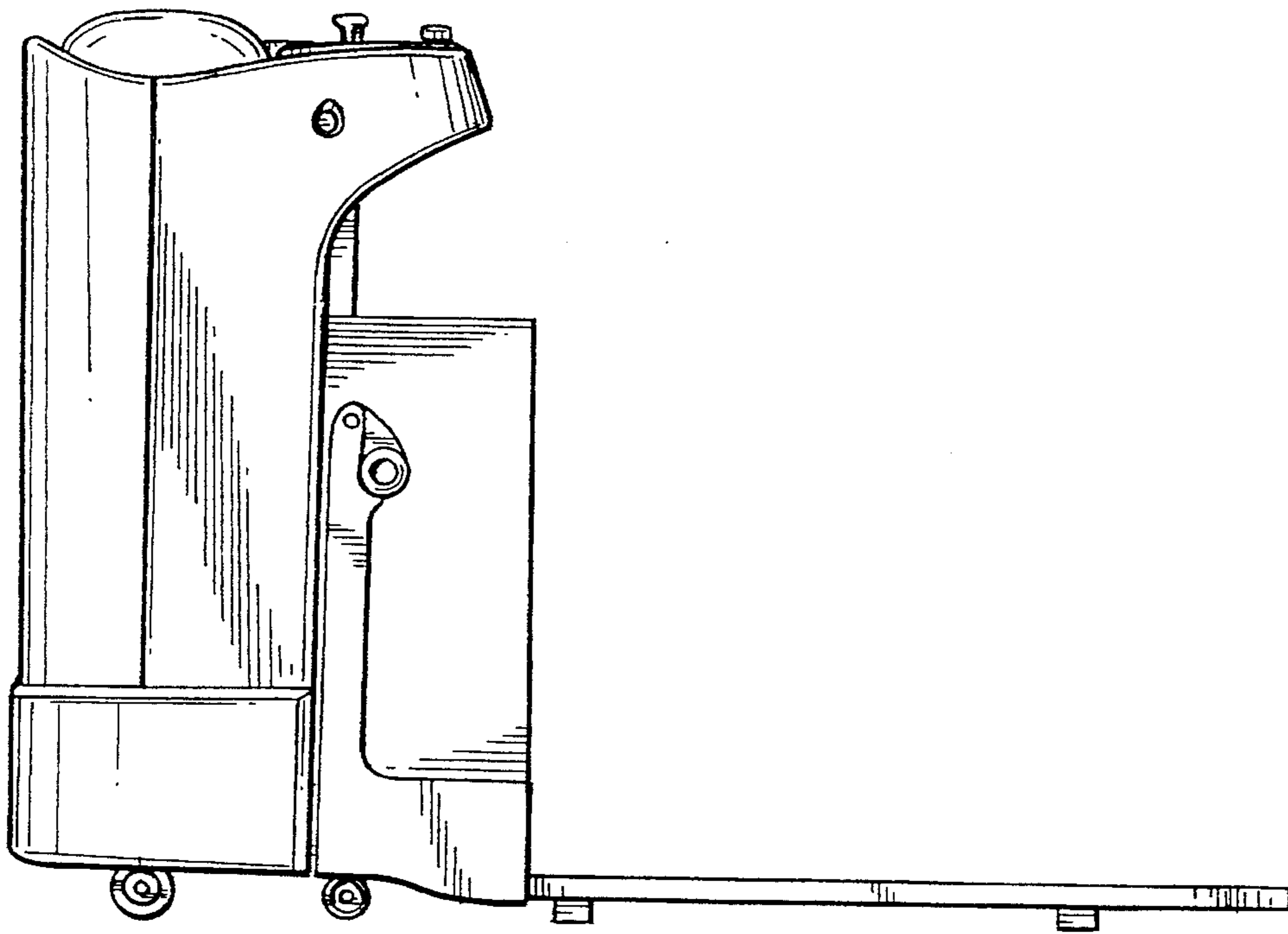


FIG. 1

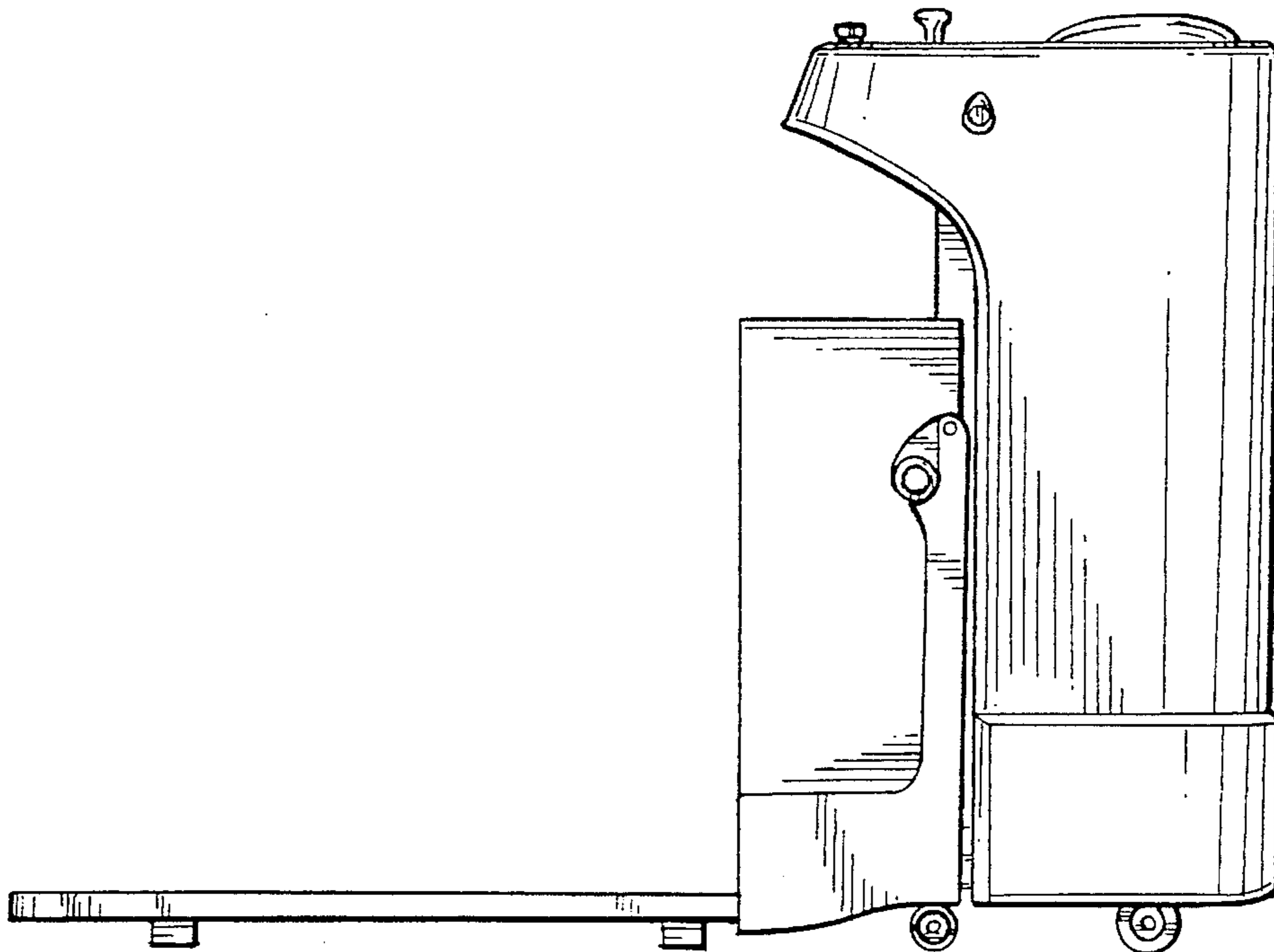


FIG. 2

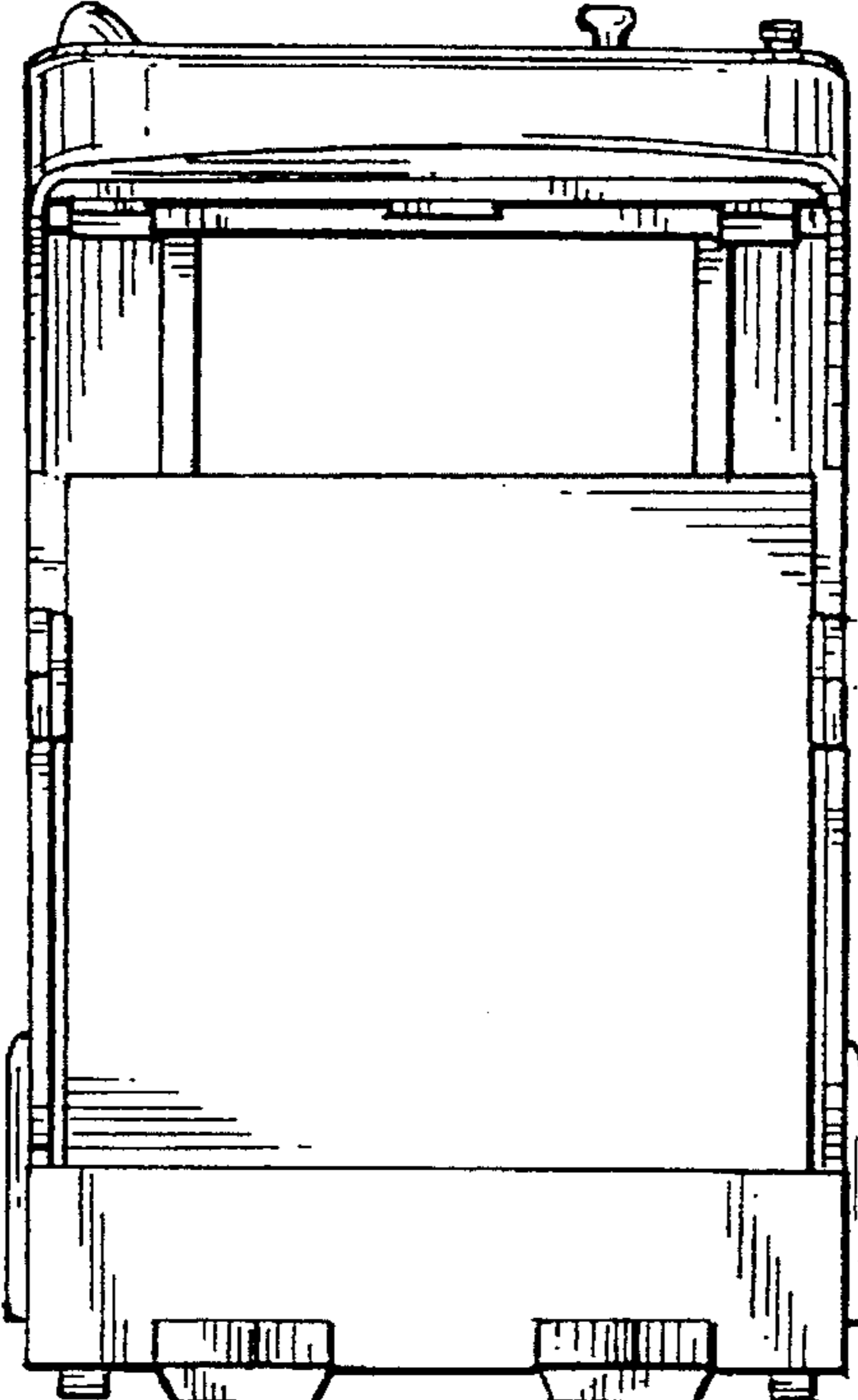


FIG. 3

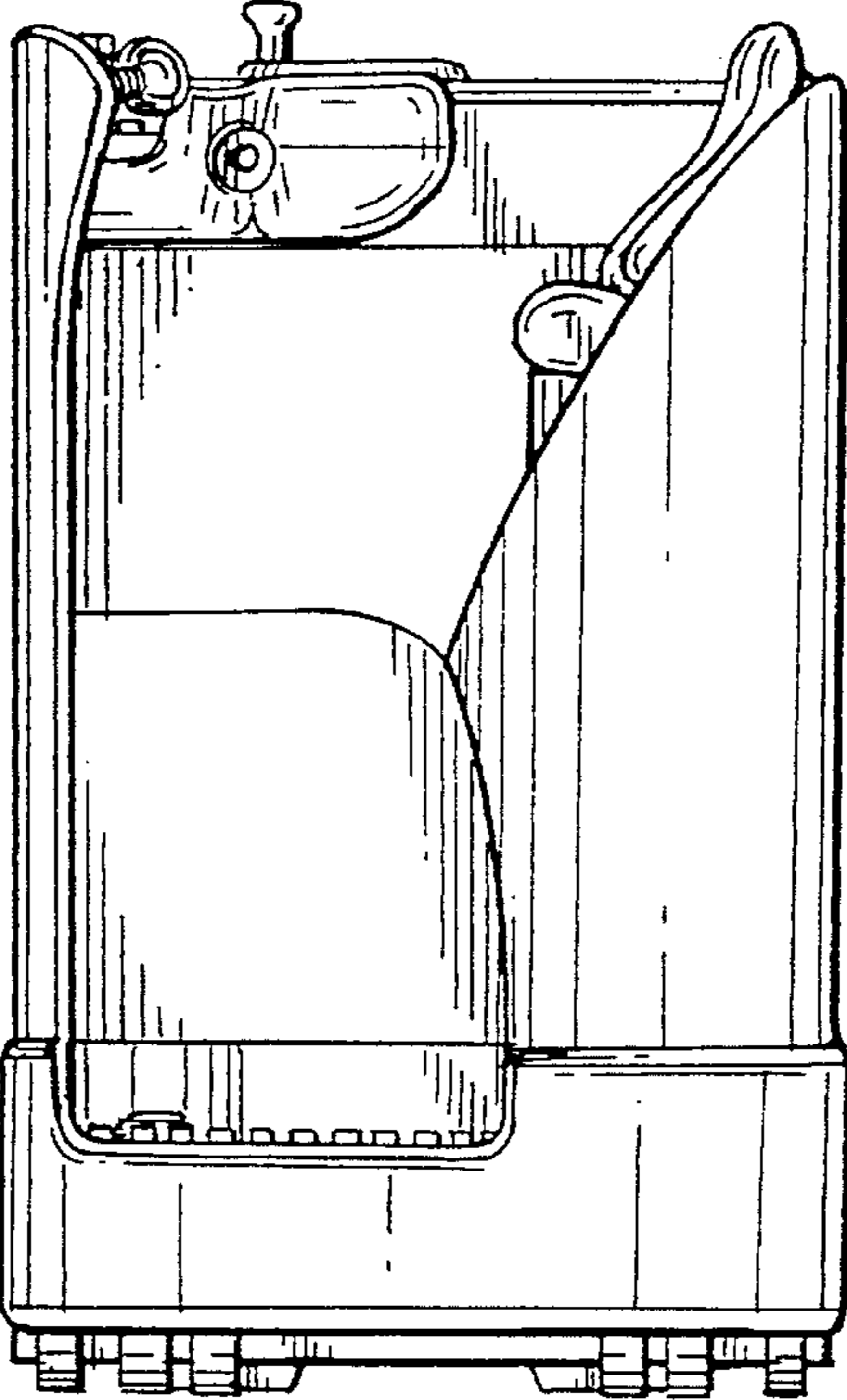


FIG. 4

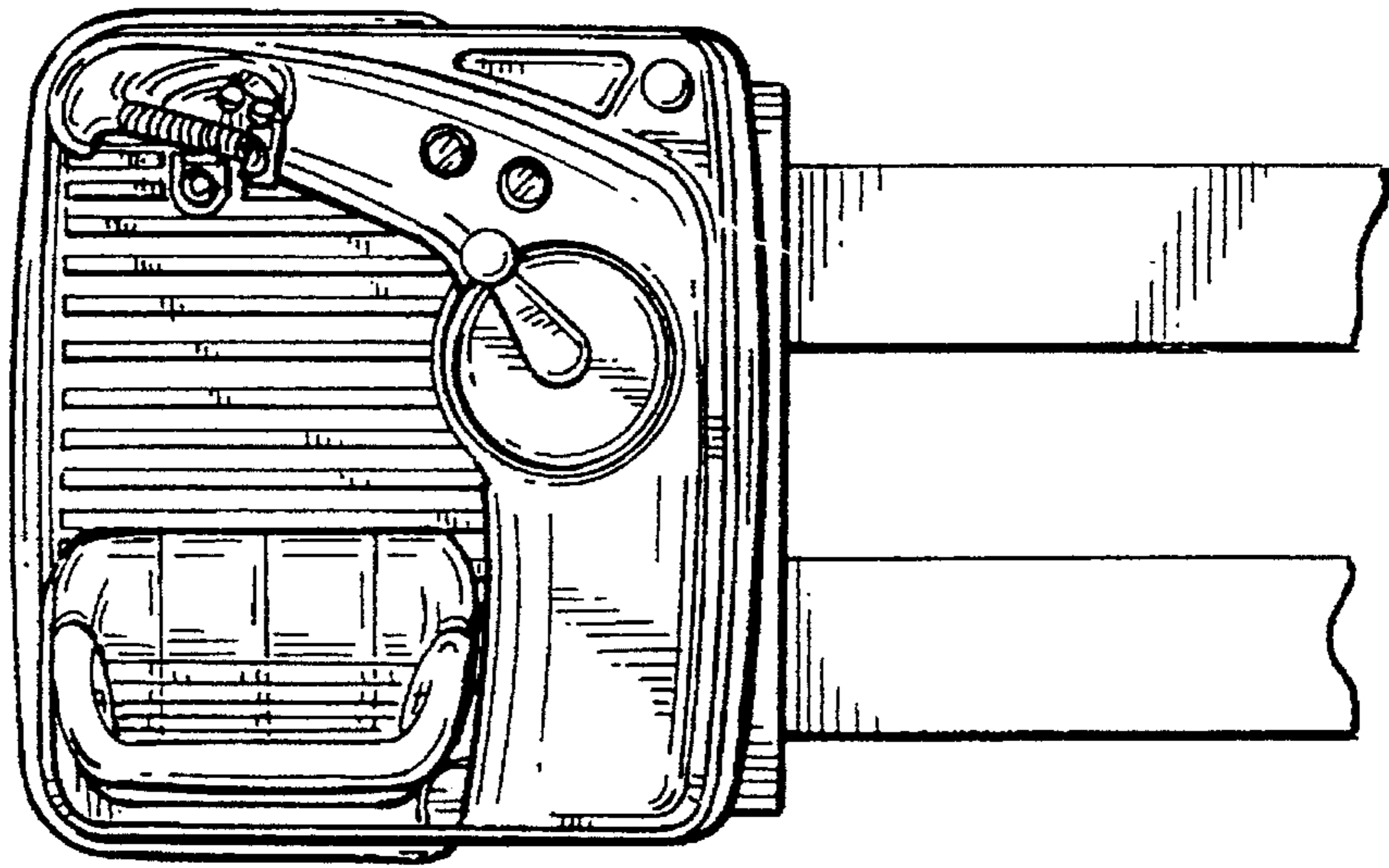


FIG. 5

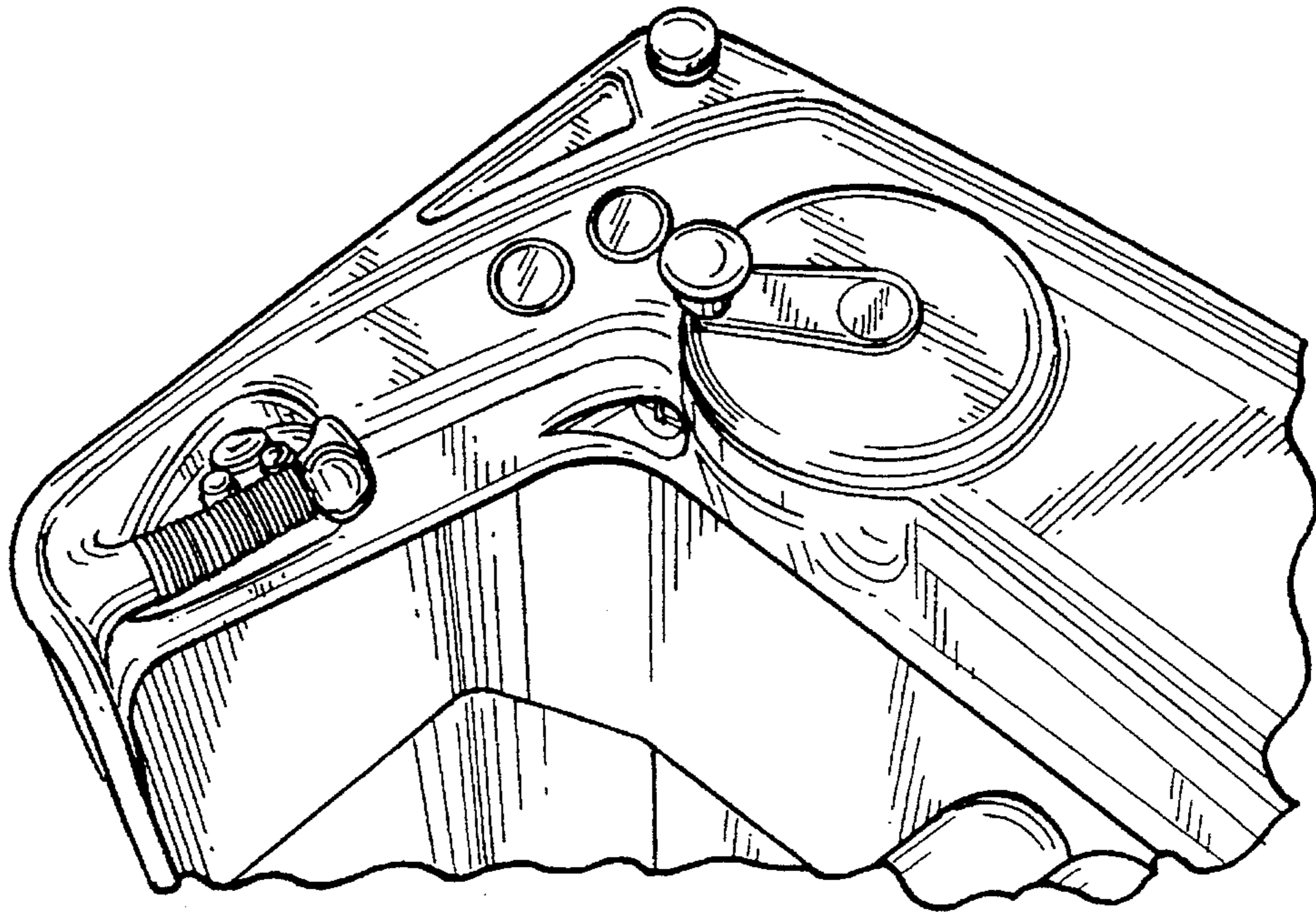


FIG. 6

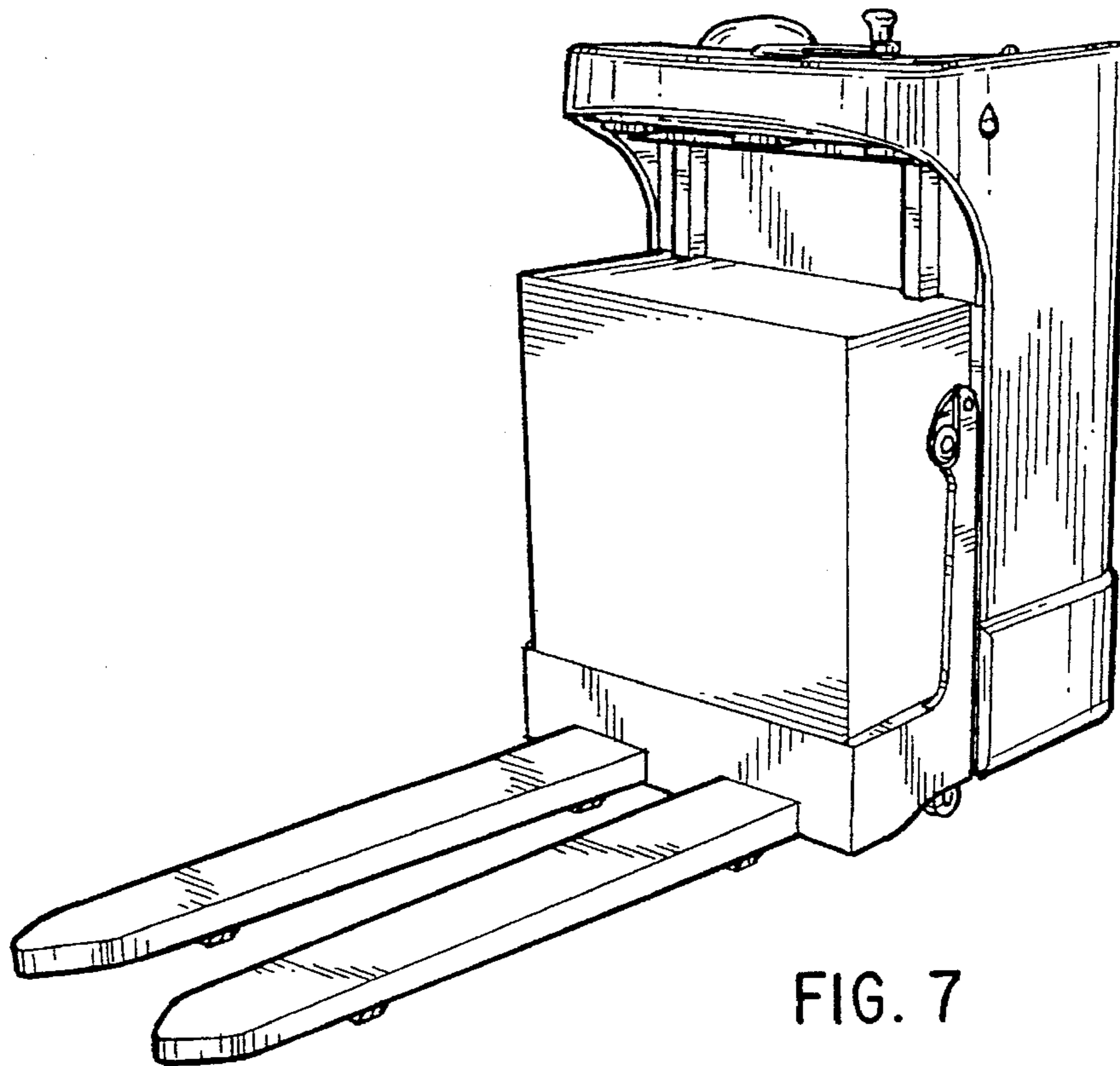


FIG. 7

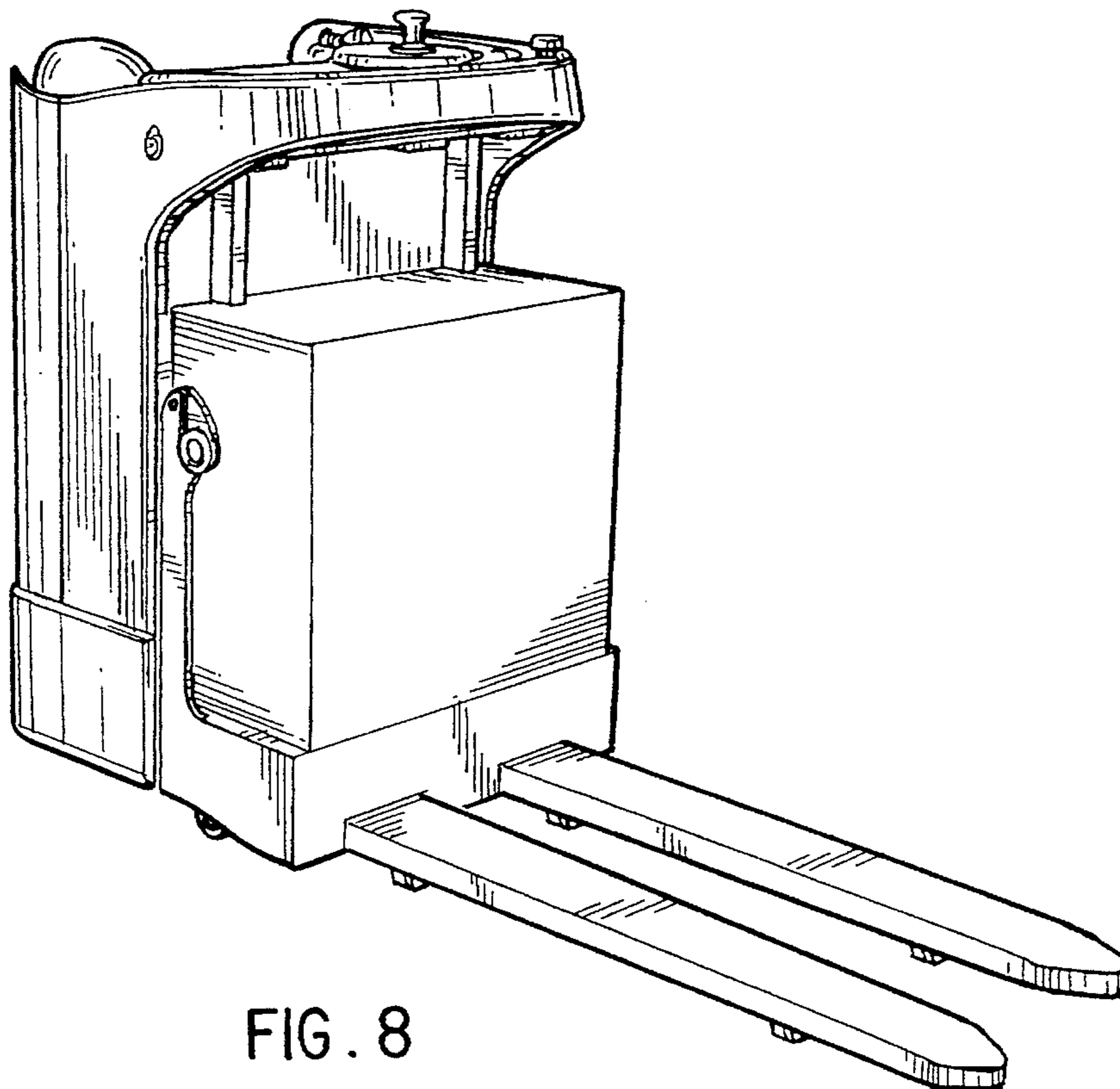


FIG. 8

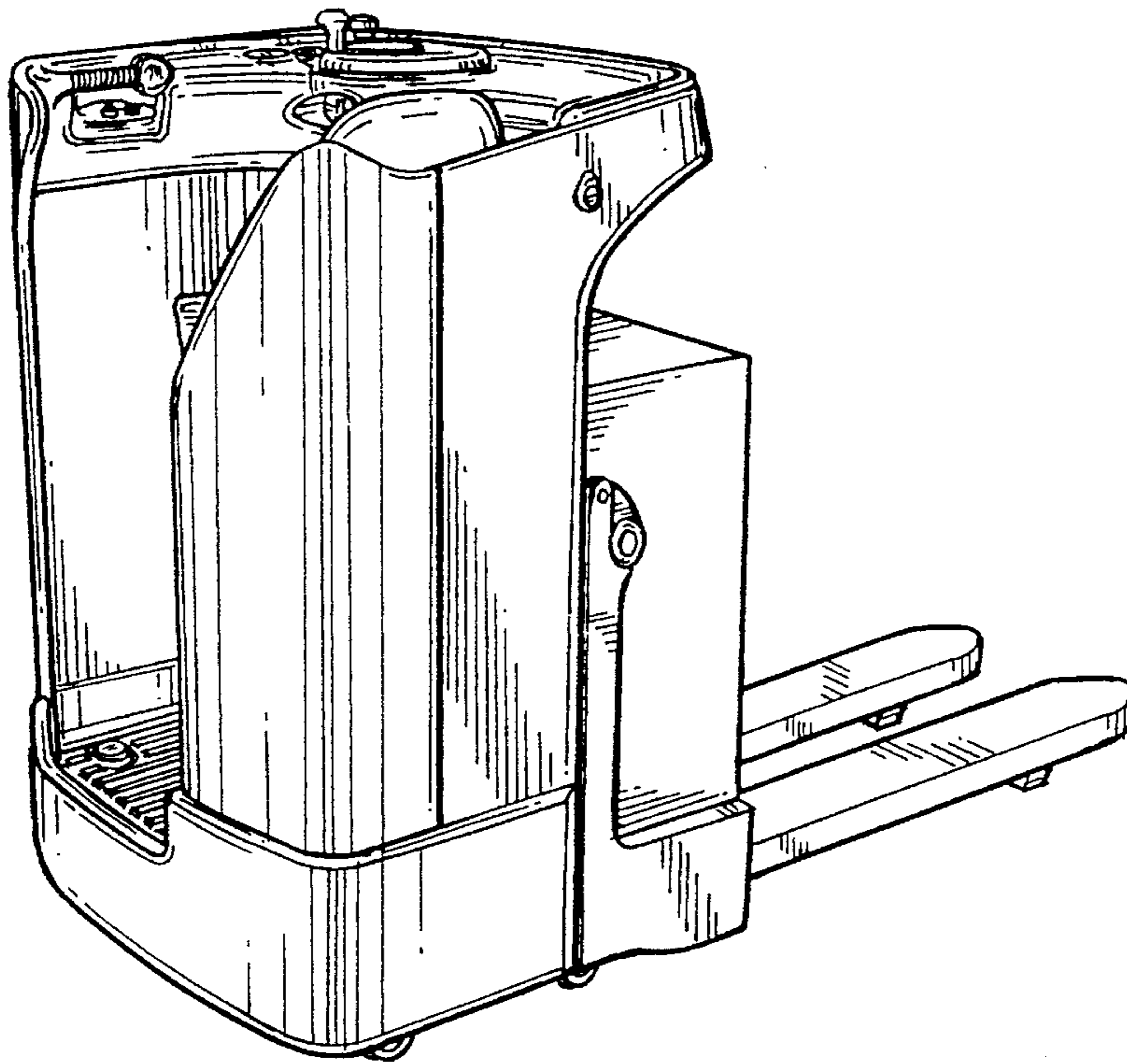


FIG. 9

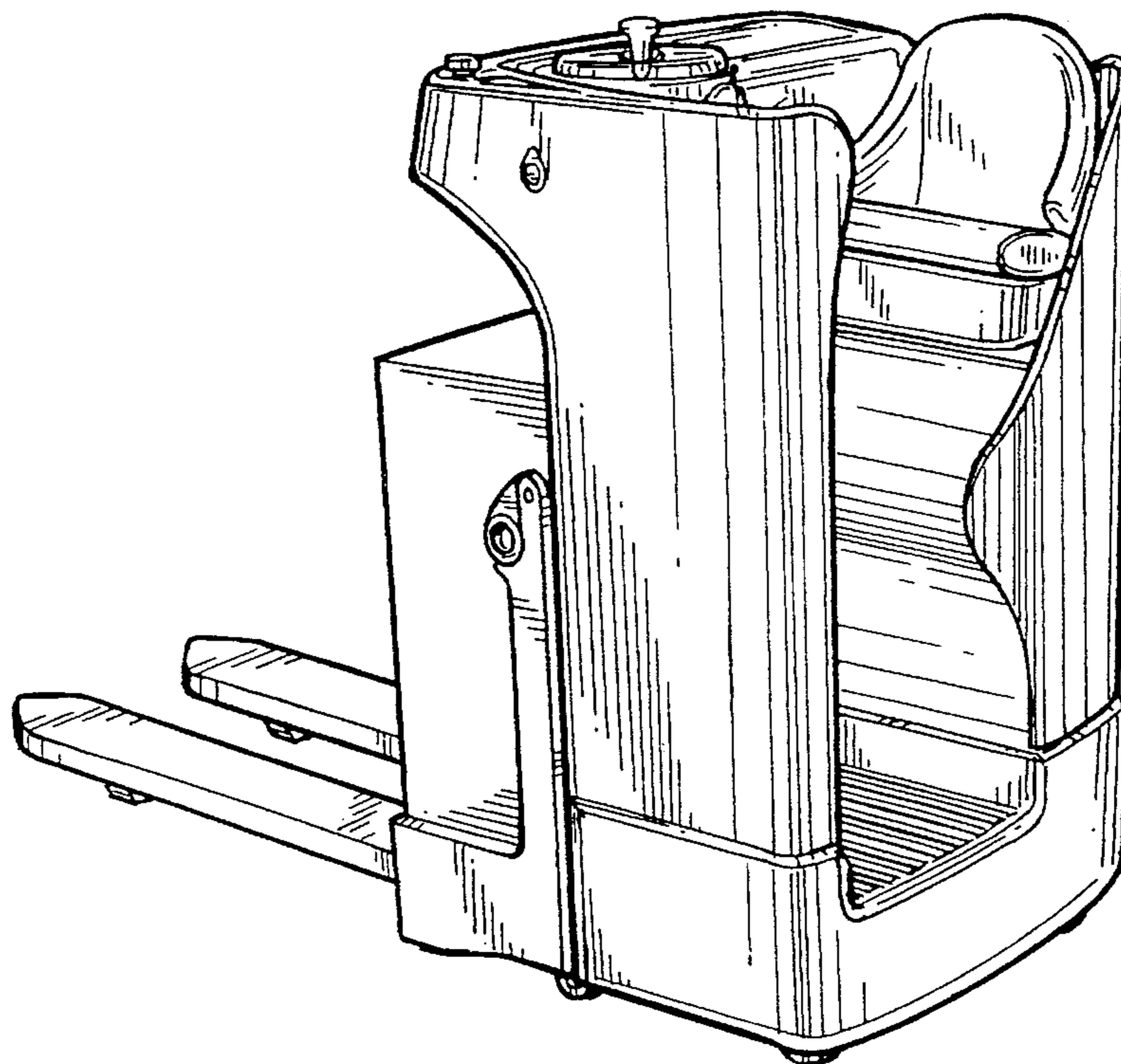


FIG. 10