



US00D373886S

United States Patent [19]

McCloud, Jr.

[11] Patent Number: **Des. 373,886**

[45] Date of Patent: ****Sep. 17, 1996**

[54] **VEHICLE SELF-PULLING WINCH**

[76] Inventor: **Marvin H. McCloud, Jr.**, P.O. Box 895, Wand Cove, Ak. 99928

[**] Term: **14 Years**

[21] Appl. No.: **30,069**

[22] Filed: **Oct. 21, 1994**

[52] U.S. Cl. **D34/33**

[58] Field of Search D34/28, 29, 33, D34/34; 254/279, 282, 323, 328, 325, 280

[56] **References Cited**

U.S. PATENT DOCUMENTS

D. 188,282	6/1960	Mathieu	D34/33
D. 271,150	10/1983	Cavanagh	D34/33
D. 347,721	6/1994	Carter, Jr.	D34/28 X
2,959,396	11/1960	Lawrence	254/323 X
4,093,034	6/1978	Curley	254/328
4,135,681	1/1979	Cooper	254/282 X
4,568,036	2/1986	Kearney	254/323 X
4,650,163	3/1987	Peterson	254/328
5,054,745	10/1991	Swayze	254/328

Primary Examiner—A. Hugo Word
Assistant Examiner—Cynthia E. Ramirez
Attorney, Agent, or Firm—Terry M. Gernstein

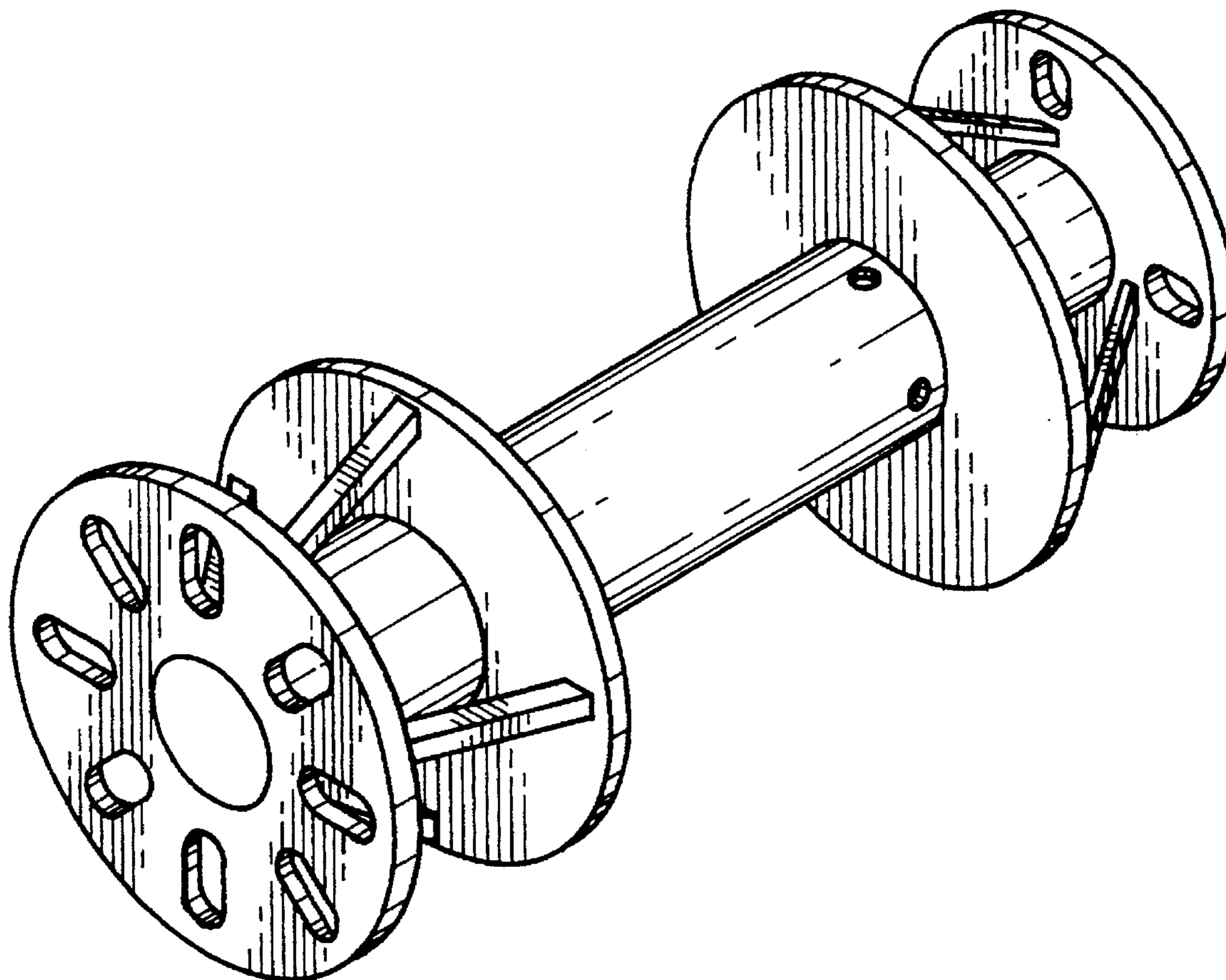
[57] **CLAIM**

The ornamental design for a vehicle self-pulling winch, as shown and described.

DESCRIPTION

FIG. 1 is a front, top and side perspective view of the vehicle self-pulling winch showing my new design;
FIG. 2 is a front elevational view thereof, the rear, top and bottom all being mirrors image of the front shown in FIG. 2;
FIG. 3 is a side elevational view thereof;
FIG. 4 is an opposite side elevational view thereof; and,
FIG. 5 is a perspective view showing the device in position for use in pulling a vehicle using the vehicle's own power. The broken line showing of the winch, the bar and the cables in FIG. 5 is for illustrative purposes only and forms no part of the claimed design.

1 Claim, 3 Drawing Sheets



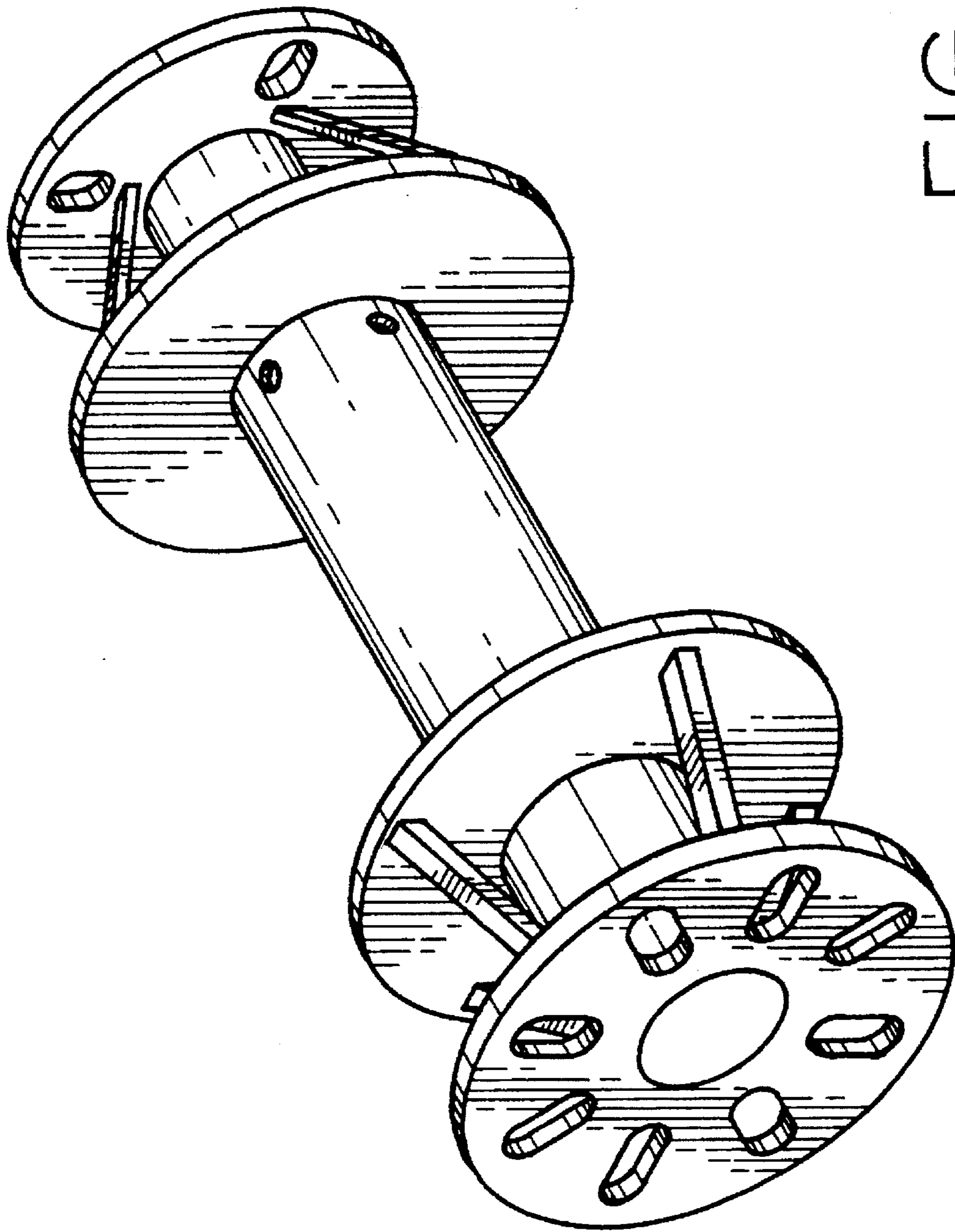


FIG. 1

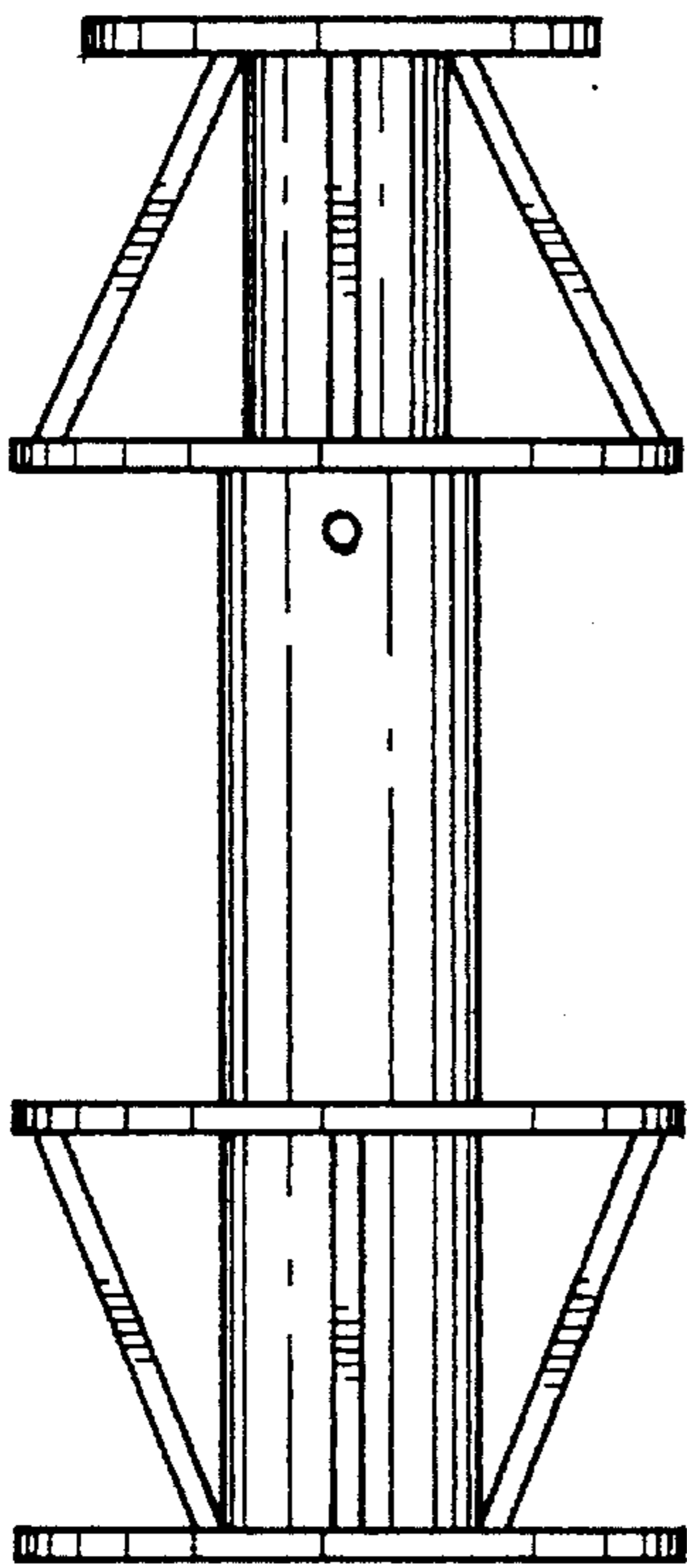


FIG. 2

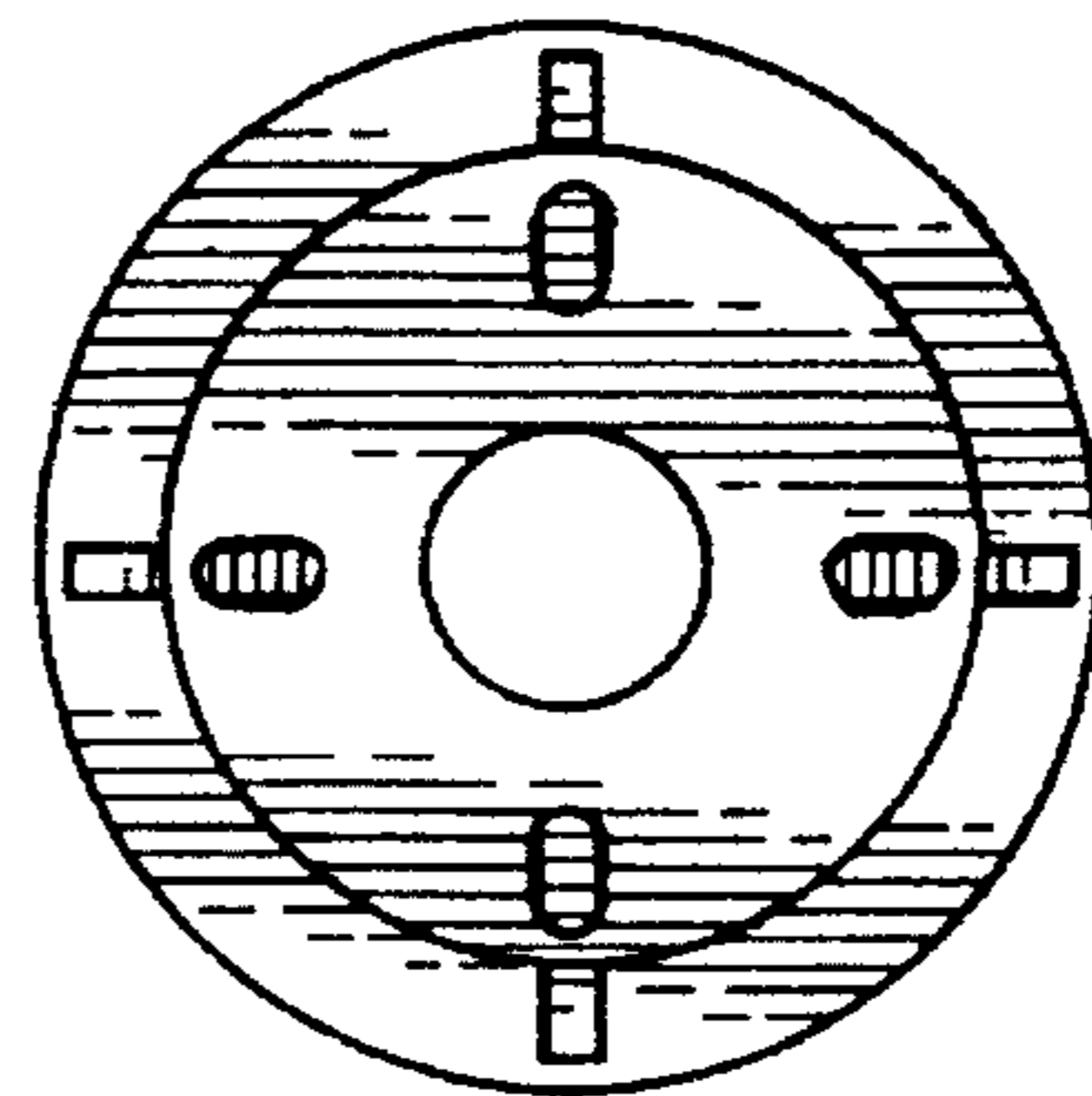


FIG. 4

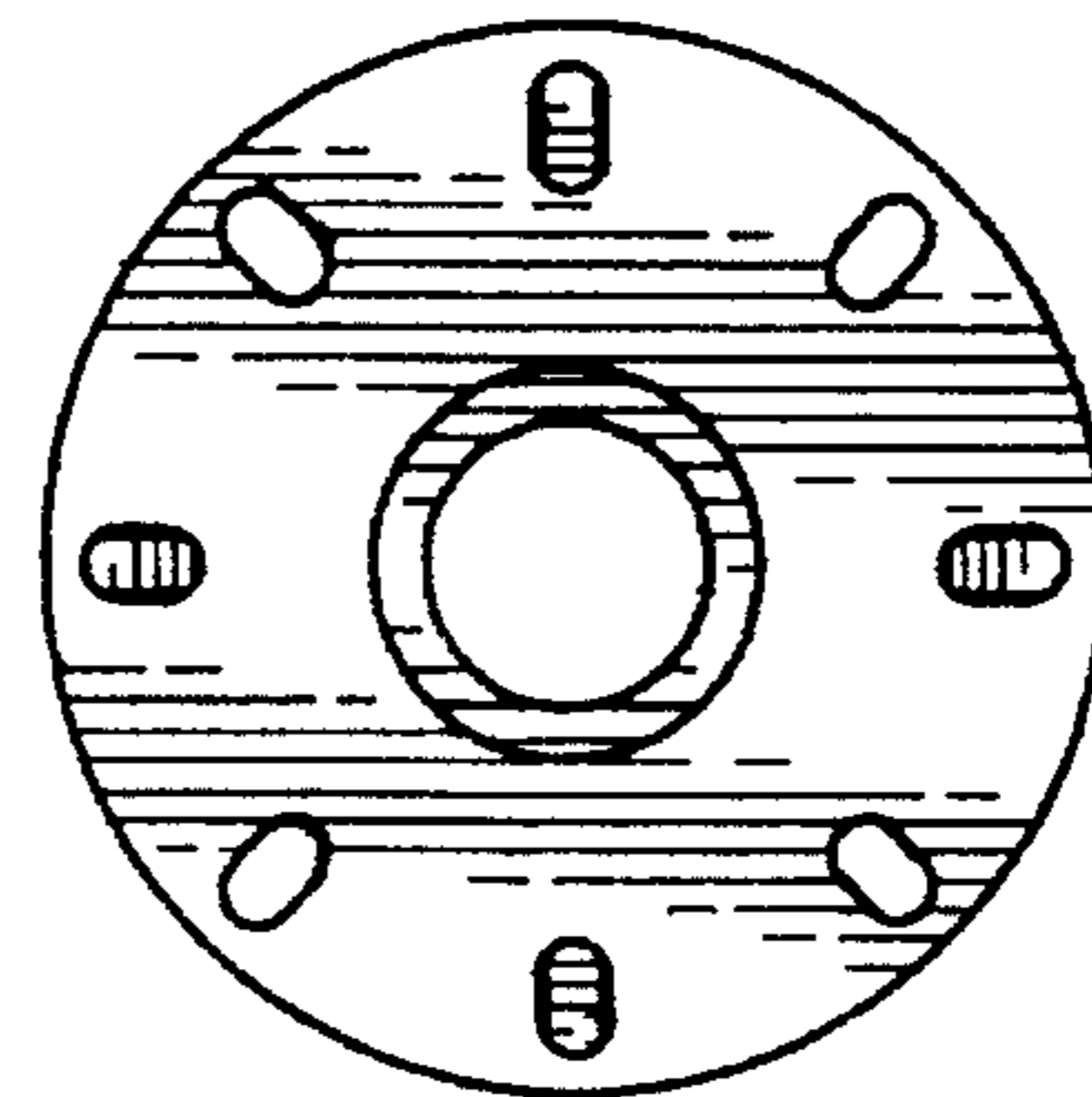


FIG. 3

