



US00D373885S

United States Patent [19]

Holland, Jr.

[11] Patent Number: **Des. 373,885**

[45] Date of Patent: ****Sep. 17, 1996**

[54] TELESCOPIC RAMP

[76] Inventor: **Wayne H. Holland, Jr.**, 12501 Rajah, Sylmar, Calif. 91342

[**] Term: **14 Years**

[21] Appl. No.: **34,350**

[22] Filed: **Feb. 2, 1995**

[52] U.S. Cl. **D34/32**

[58] Field of Search D34/32, 28, 29; 14/69.5, 71.1, 71.5

[56] References Cited

U.S. PATENT DOCUMENTS

D. 348,552	7/1994	Woodward et al.	D34/32
D. 354,603	1/1995	Bullard	D34/32
4,920,597	5/1990	Hamilton	14/69.5
5,325,558	7/1994	Labreche	14/69.5

OTHER PUBLICATIONS

1993 Fall/Winter Catalog Advance Storage Products p. 161
Wheelchair ramps for ADA compliance.

Primary Examiner—Alan P. Douglas

Assistant Examiner—Linda Brooks

Attorney, Agent, or Firm—Kelly Bauersfeld & Lowry

[57] CLAIM

The ornamental design for a telescopic ramp, as shown and described.

DESCRIPTION

FIG. 1 is a perspective view showing the top, left and front sides of a telescopic ramp embodying my new design, showing the ramp in an extended configuration, the dotted line depiction of a tailgate for a pick-up truck being for illustrative purposes only;

FIG. 2 is a front end elevation thereof;

FIG. 3 is a rear end elevation thereof;

FIG. 4 is a fragmented top plan view thereof;

FIG. 5 is a bottom plan view thereof;

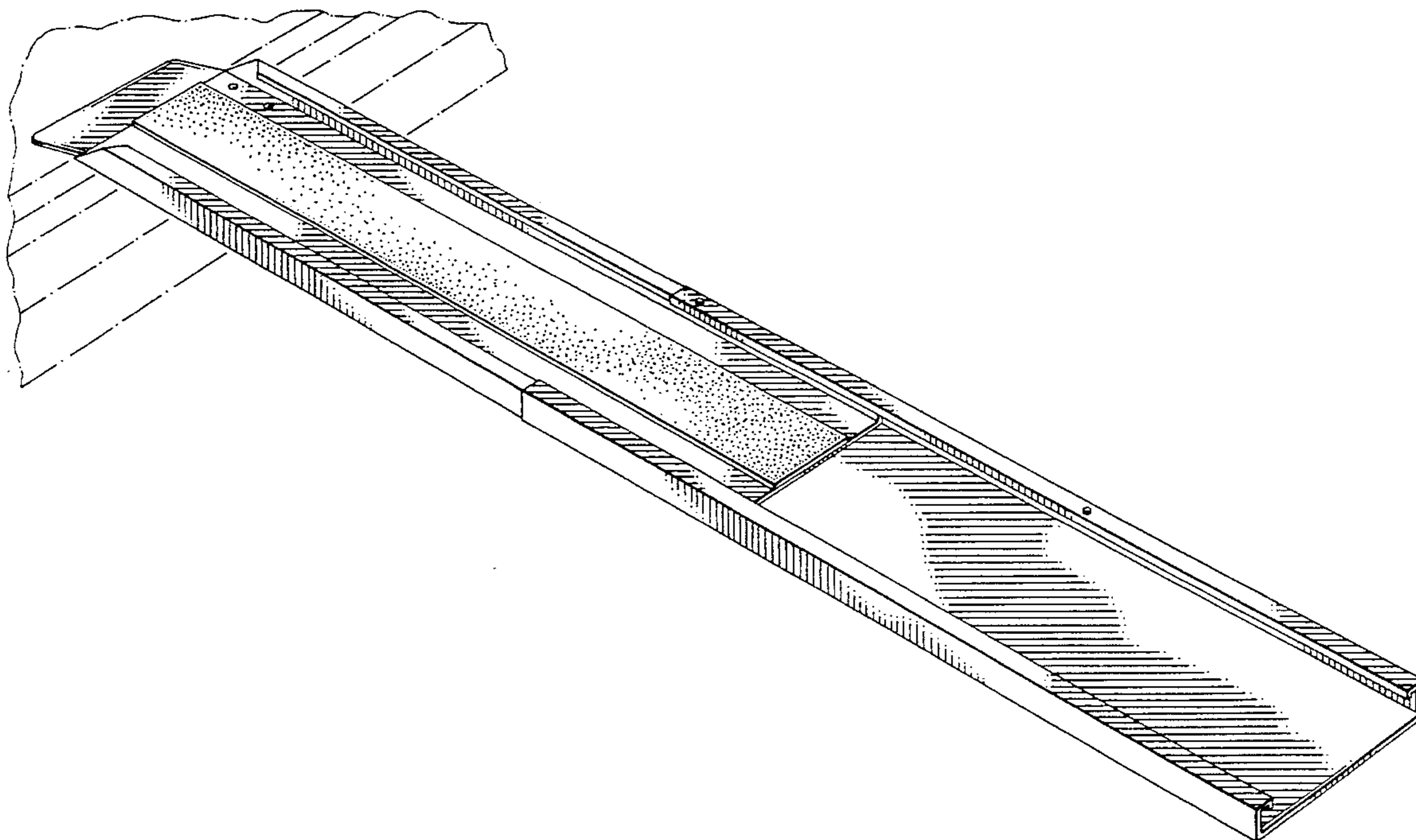
FIG. 6 is a left side elevation view thereof, the right side elevation being a mirror image of the left side as shown, and the dotted line depiction of a pick-up truck being for illustrative purposes only;

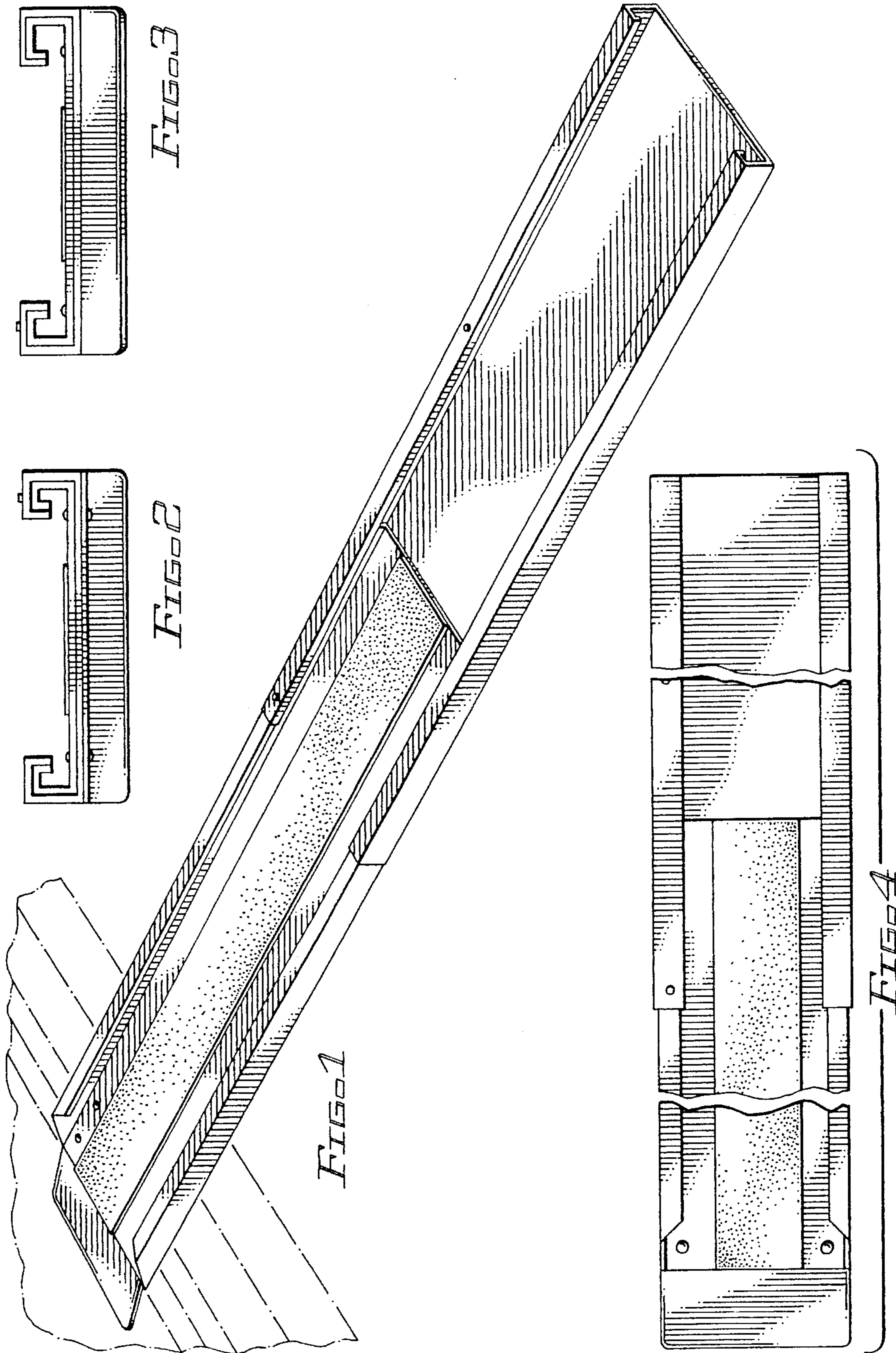
FIG. 7 is an end elevation view showing the ramp in use in association with a pick-up truck depicted in dotted lines for illustrative purposes only;

FIG. 8 is a top plan view showing the ramp in a collapsed configuration; and,

FIG. 9 is a bottom plan view of the ramp in a collapsed configuration.

1 Claim, 2 Drawing Sheets





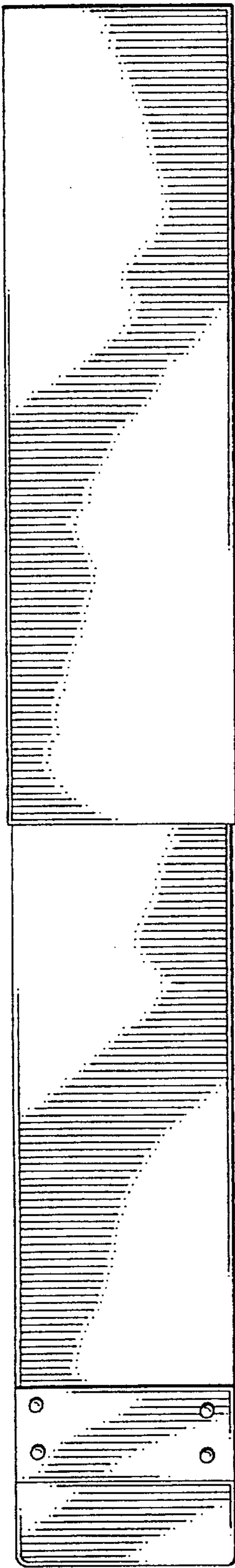


FIG 5

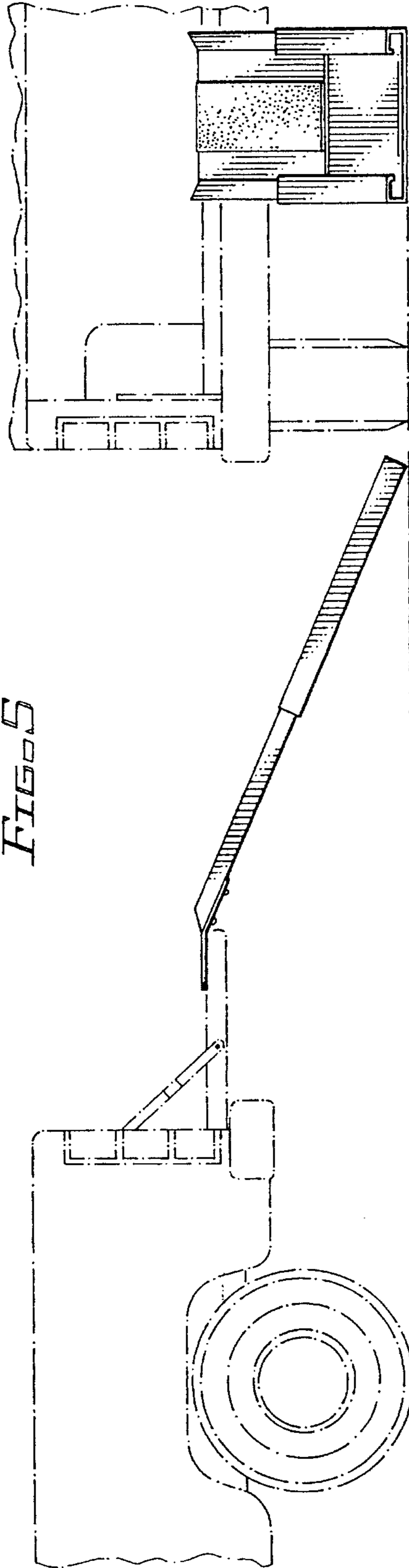


FIG 6

FIG 7

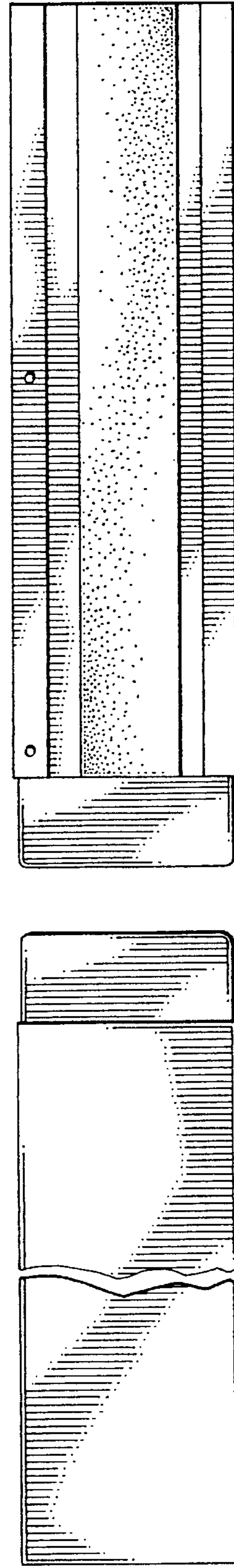


FIG 8

FIG 9