



US00D373882S

United States Patent [19] Thacker

[11] Patent Number: **Des. 373,882**

[45] Date of Patent: ****Sep. 17, 1996**

[54] **AIR TABLE**

[75] Inventor: **Roy Thacker**, Watauga, Tex.

[73] Assignee: **Thacker Industrial Service Company**,
Fort Worth, Tex.

[**] Term: **14 Years**

[21] Appl. No.: **33,183**

[22] Filed: **Jan. 6, 1995**

[52] U.S. Cl. **D34/29**

[58] Field of Search D6/480, 484, 400;
D34/29; 406/88; 414/676; 29/DIG. 78

[56] **References Cited**

U.S. PATENT DOCUMENTS

D. 163,234	5/1951	Wilson	D6/484
3,429,544	6/1967	Williams, III	414/676 X
3,931,974	1/1976	Goldfarb et al.	406/88 X

4,371,309	2/1983	Principe et al.	406/88 X
4,702,664	10/1987	Lukens, Jr.	406/88 X
4,747,329	5/1988	Lukens, Jr.	414/676 X
5,246,331	9/1993	Hallahan et al.	414/676

Primary Examiner—Janice E. Seeger
Attorney, Agent, or Firm—James E. Bradley

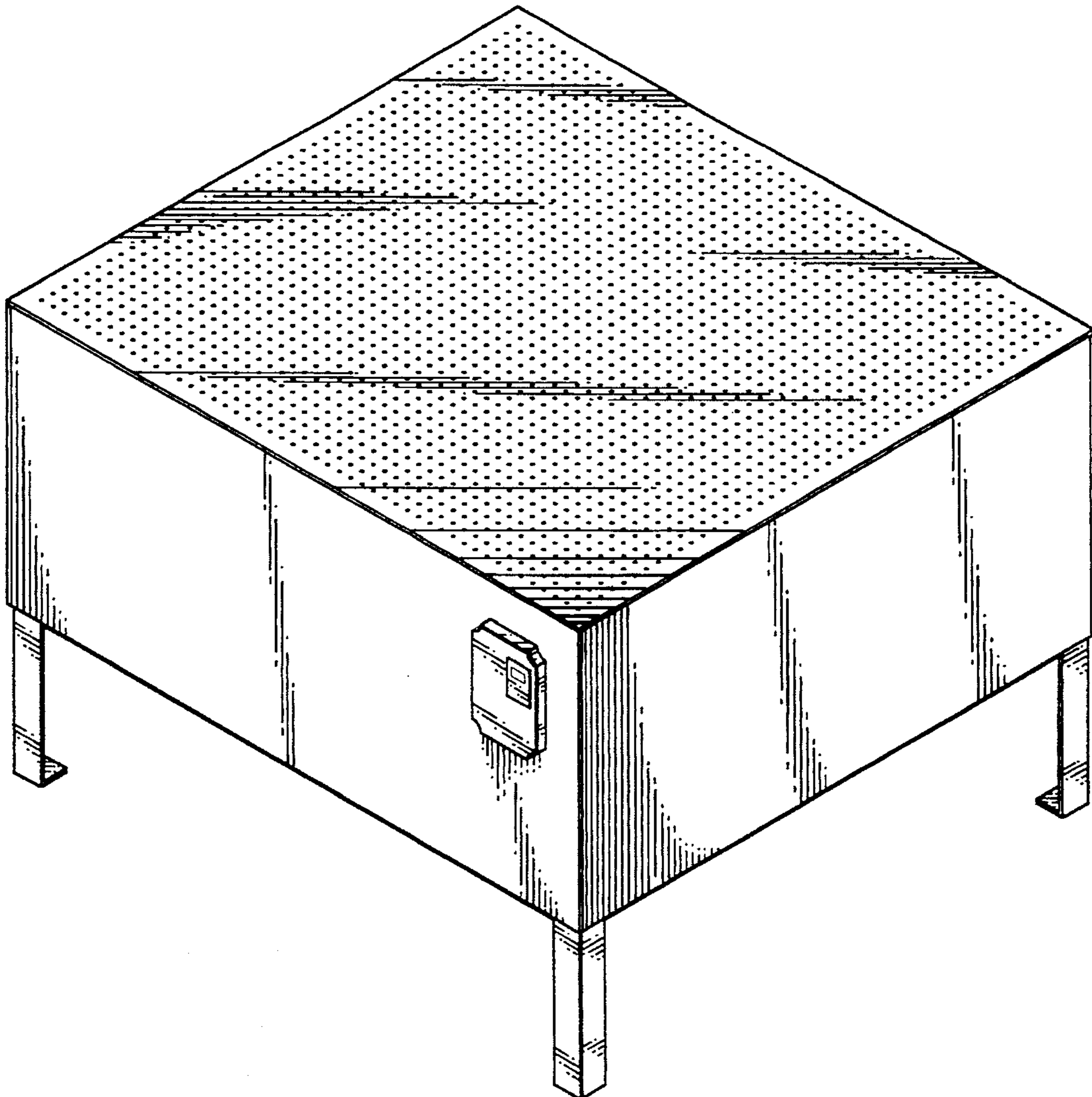
[57] **CLAIM**

The ornamental design for an air table, as shown.

DESCRIPTION

FIG. 1 is the front prospective view of an air table;
FIG. 2 is a top plan view thereof;
FIG. 3 is a front elevational view thereof;
FIG. 4 is a left side elevational view thereof;
FIG. 5 is a rear elevational view thereof;
FIG. 6 is a right elevational view thereof; and,
FIG. 7 is a bottom plan view thereof.

1 Claim, 4 Drawing Sheets



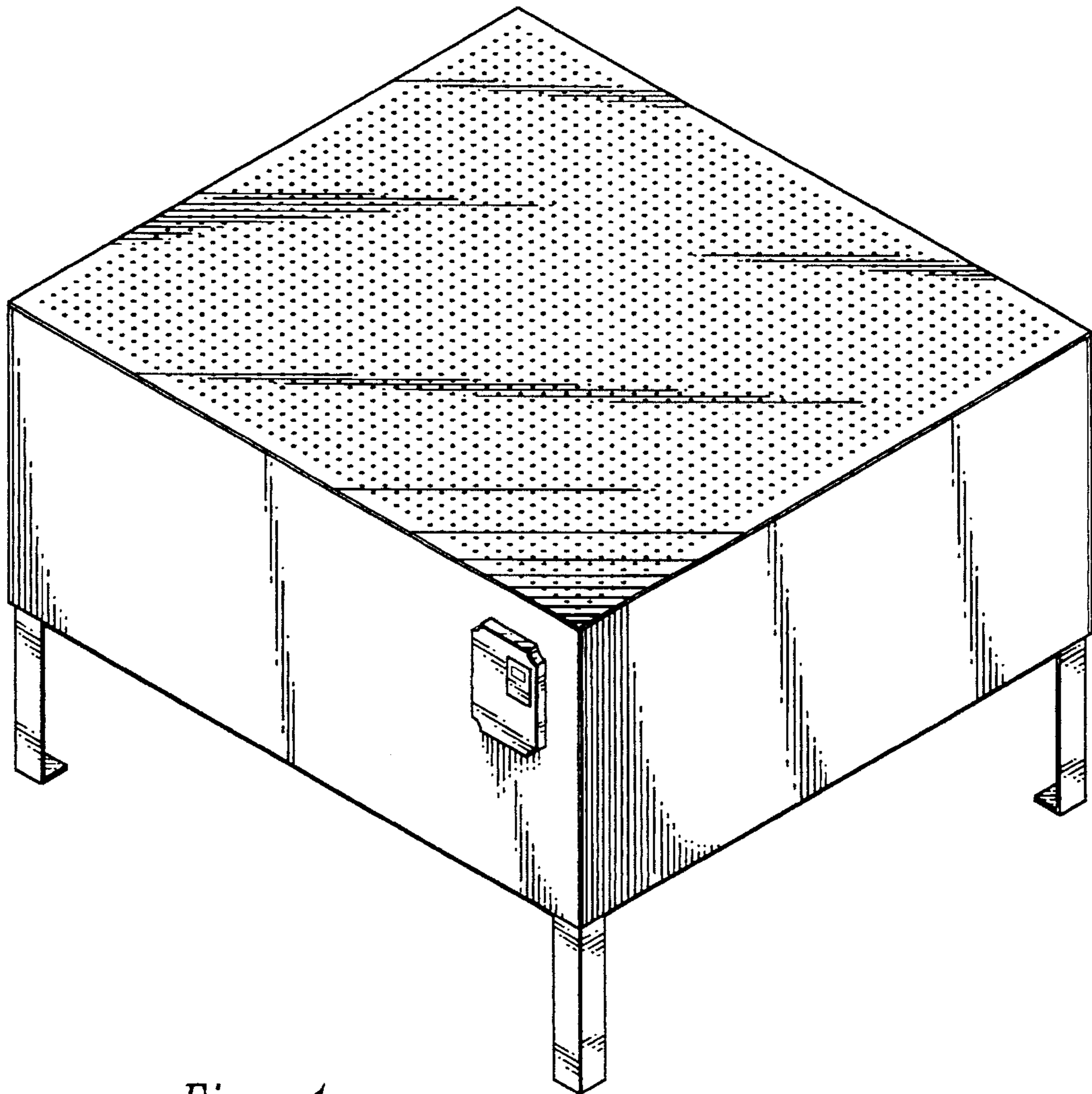


Fig. 1

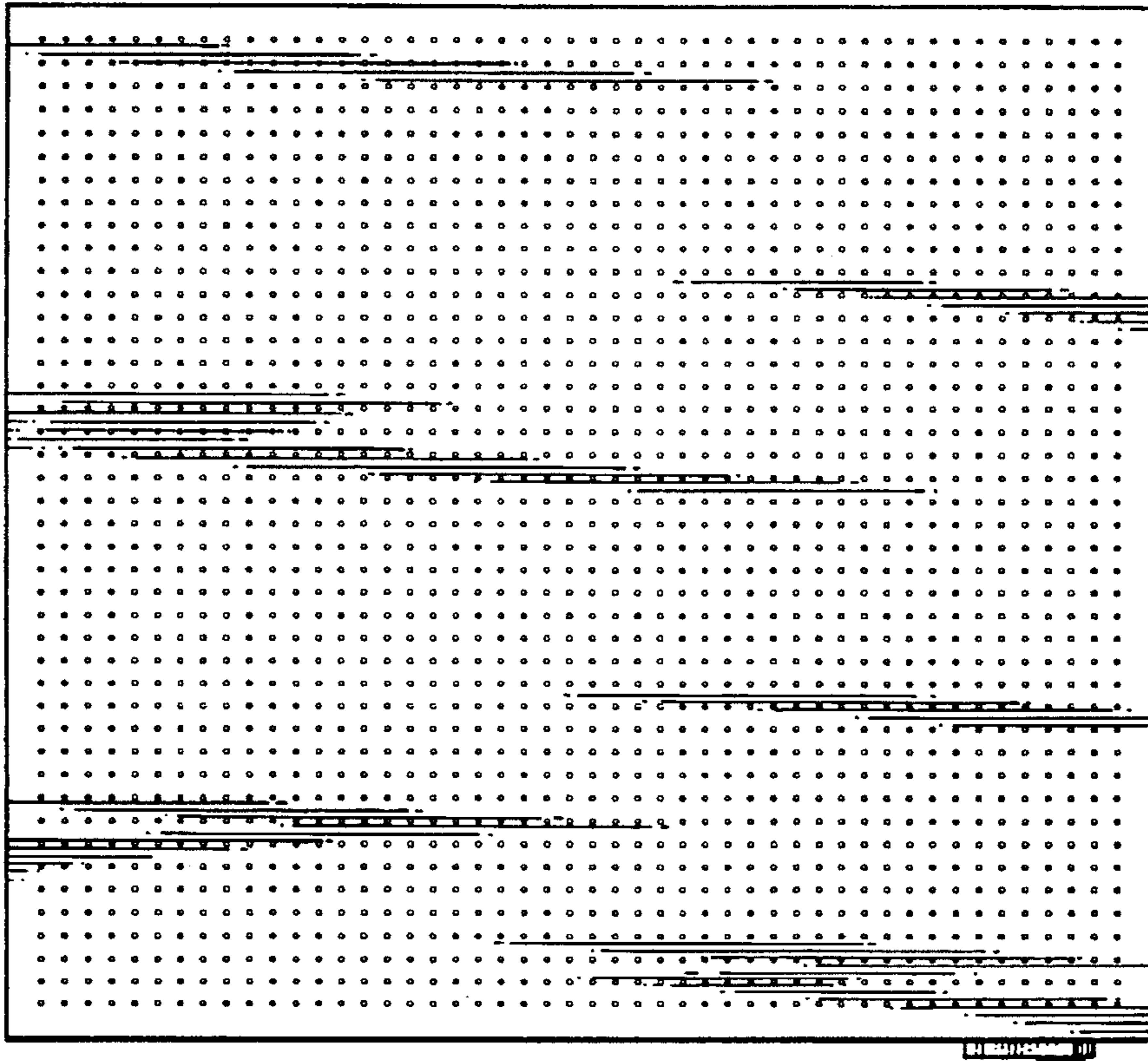


Fig. 2

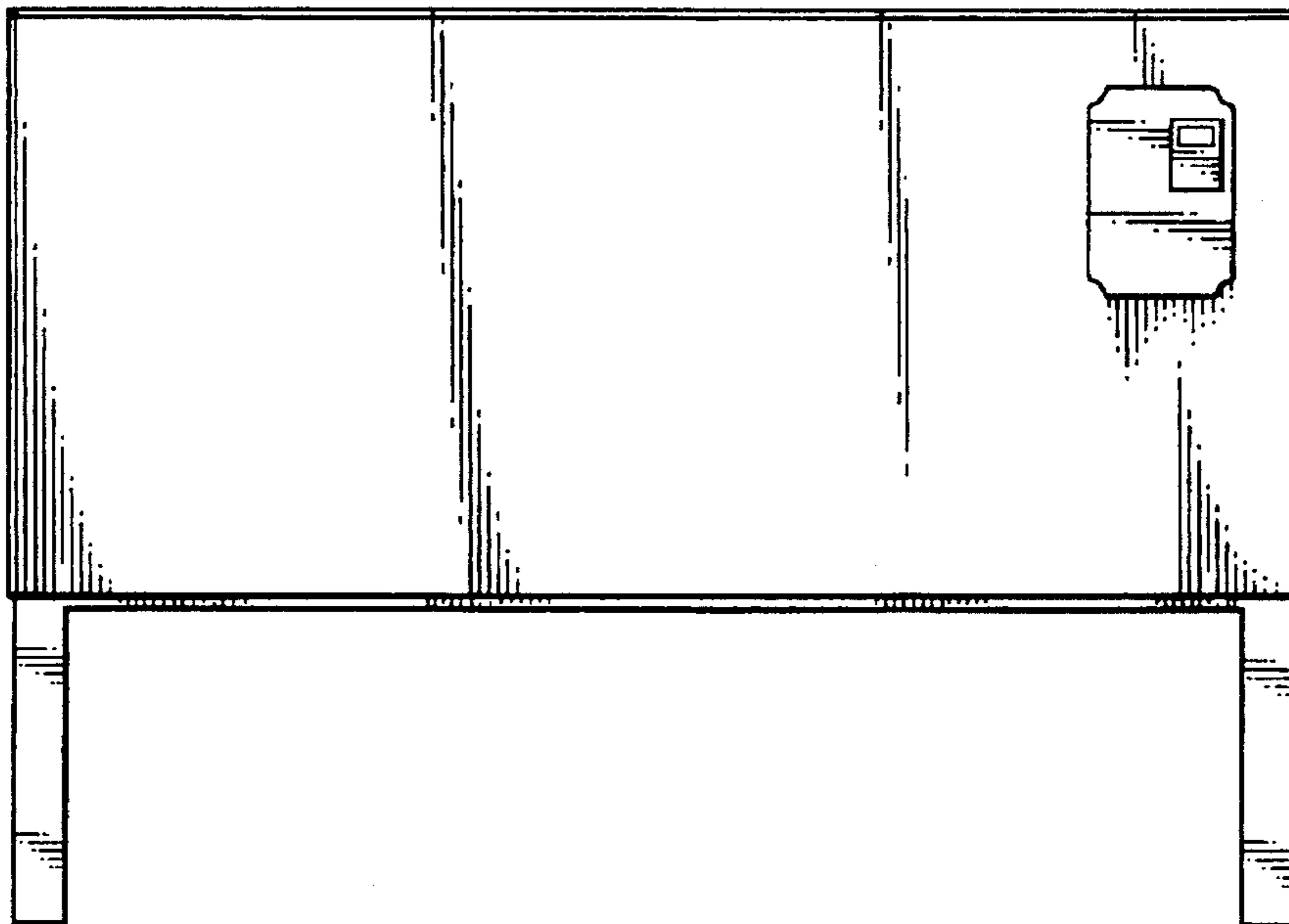


Fig. 3

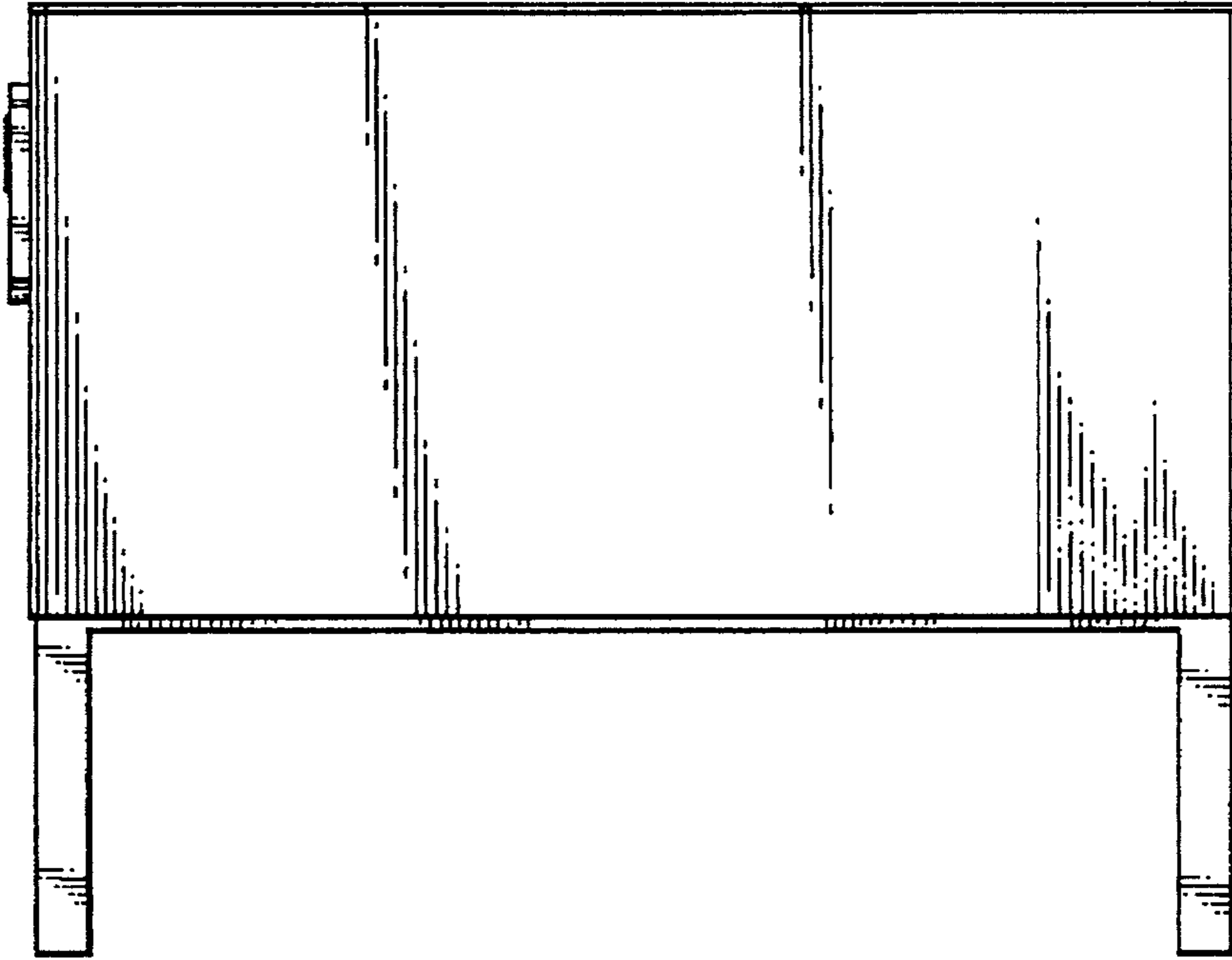


Fig. 4

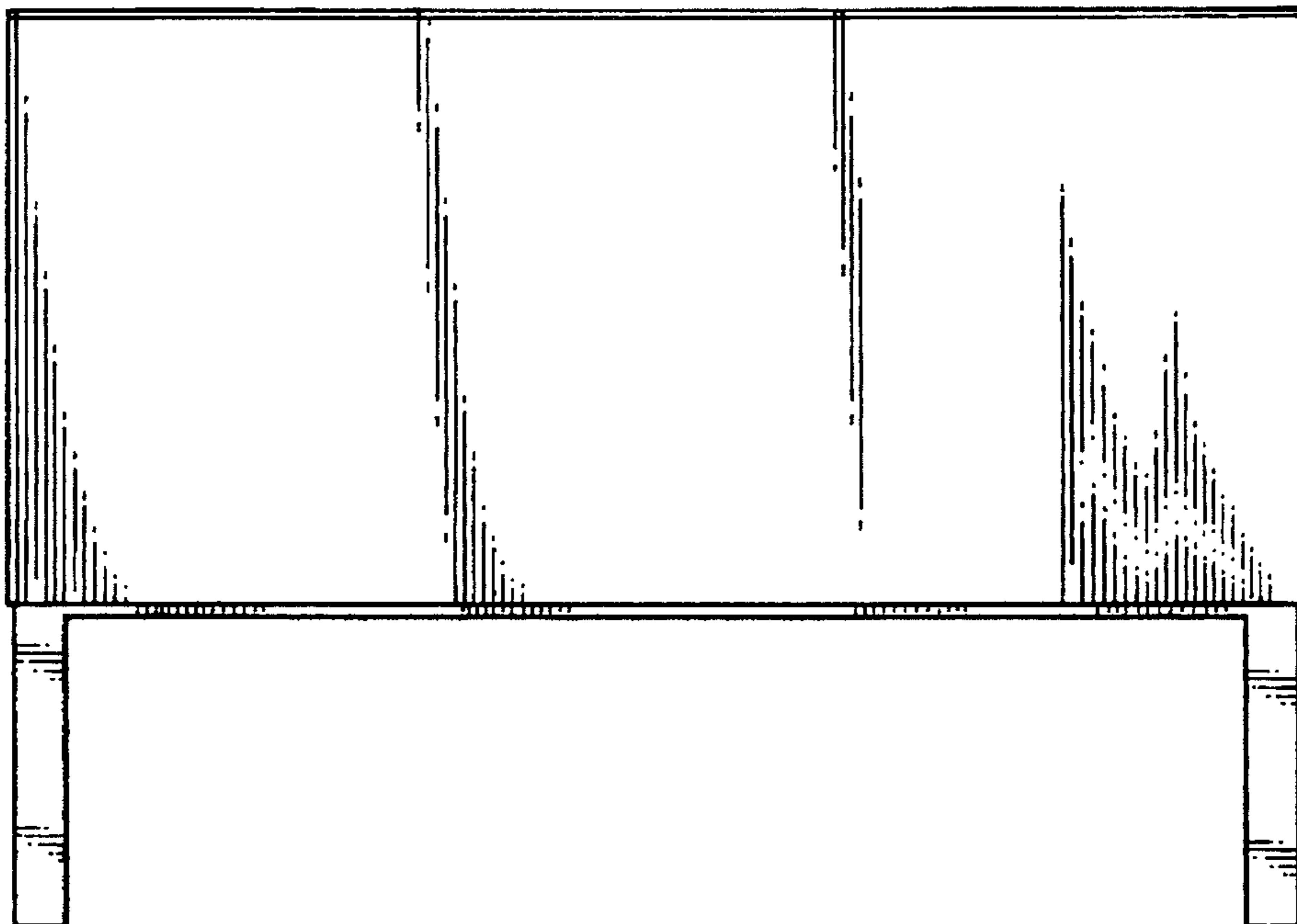


Fig. 5

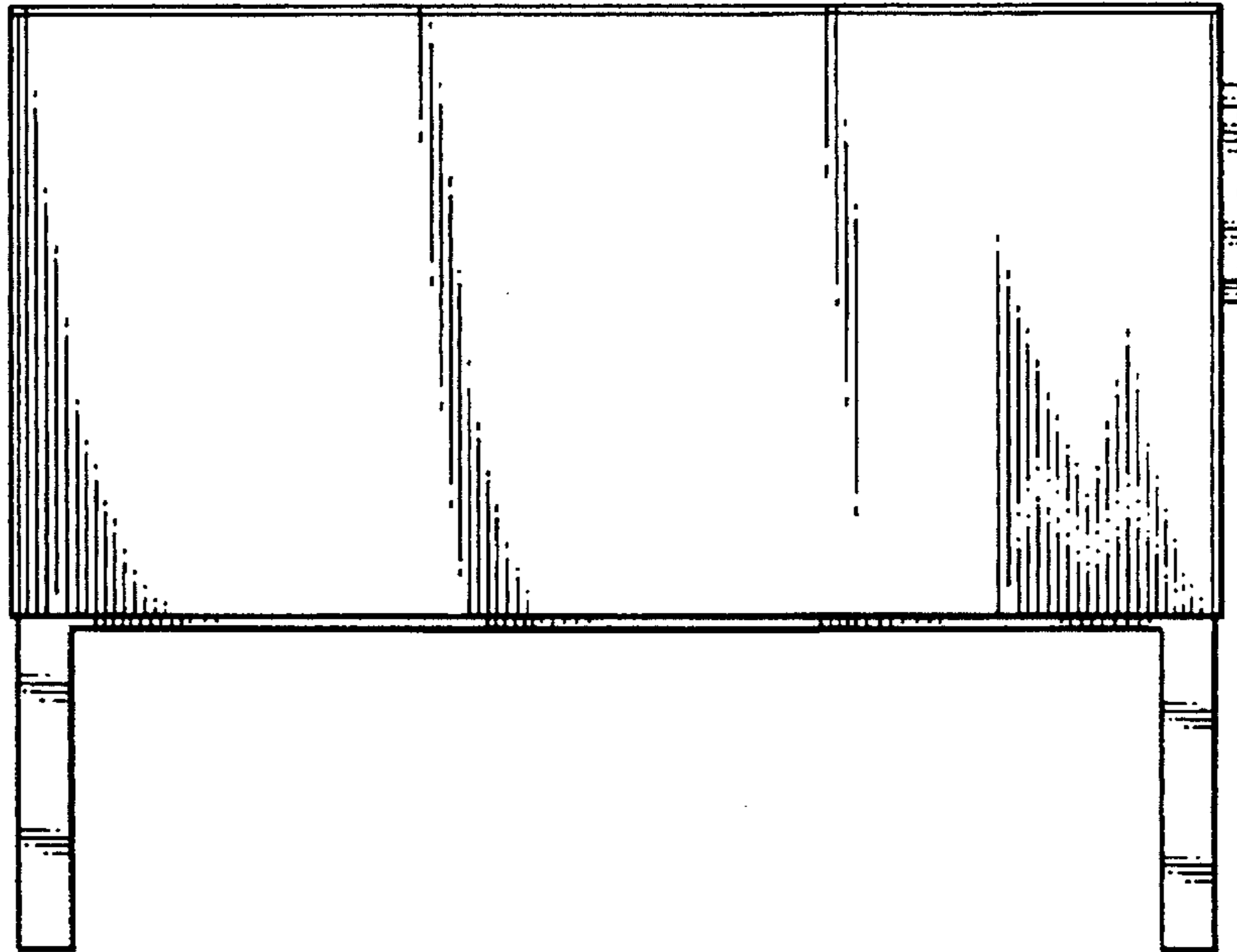


Fig. 6



Fig. 7