



US00D373880S

# United States Patent [19]

Wrobel

[11] Patent Number: **Des. 373,880**

[45] Date of Patent: **\*\*Sep. 17, 1996**

[54] **WHEELCHAIR LIFT**

[76] Inventor: **Robert M. Wrobel**, 23730 Marine, Eastpointe, Mich. 48021-3422

[\*\*] Term: **14 Years**

[21] Appl. No.: **41,266**

[22] Filed: **Jul. 10, 1995**

[52] U.S. Cl. .... **D34/28**

[58] Field of Search ..... D34/28, 33; 187/200; 414/539-541, 678, 921

[56] **References Cited**

**U.S. PATENT DOCUMENTS**

D. 302,893	8/1989	Wakefield .....	D34/28
D. 331,995	12/1992	Curtin .....	D34/28
3,737,900	6/1973	Stoddard .....	187/200
5,421,692	6/1995	Varrichio .....	414/921

*Primary Examiner*—A. Hugo Word  
*Assistant Examiner*—Robin V. Taylor  
*Attorney, Agent, or Firm*—Harpman & Harpman

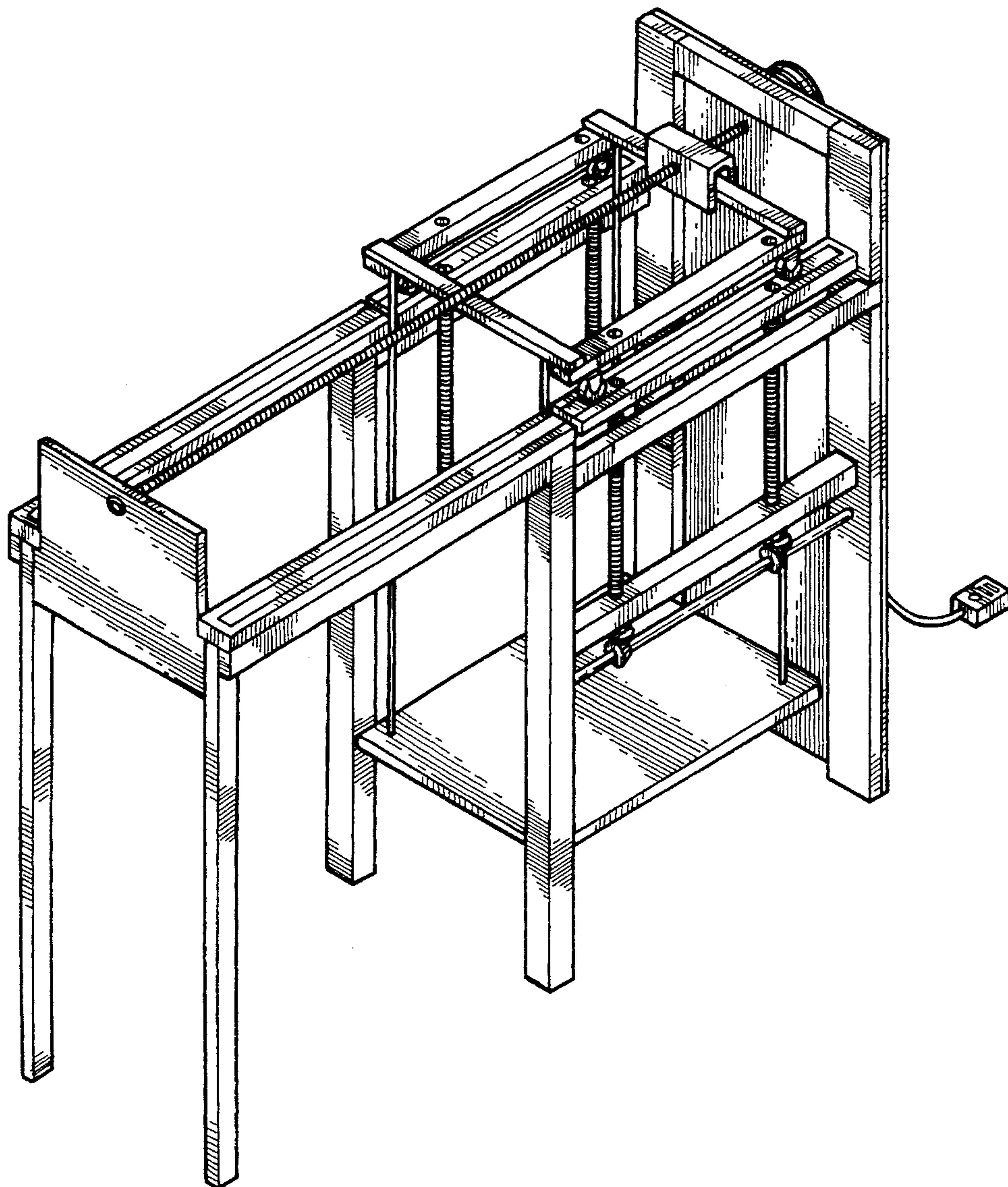
[57] **CLAIM**

The ornamental design for a wheelchair lift, as shown and described.

**DESCRIPTION**

FIG. 1 is a front, top and side perspective view of the wheelchair lift embodying the design of the present invention; FIG. 2 is a front elevational view thereof; FIG. 3 is a rear elevational view thereof; FIG. 4 is a side elevational view thereof, the side opposite being a mirror image of the side shown in FIG. 4; FIG. 5 is a top plan view thereof; and, FIG. 6 is a bottom plan view thereof.

**1 Claim, 3 Drawing Sheets**



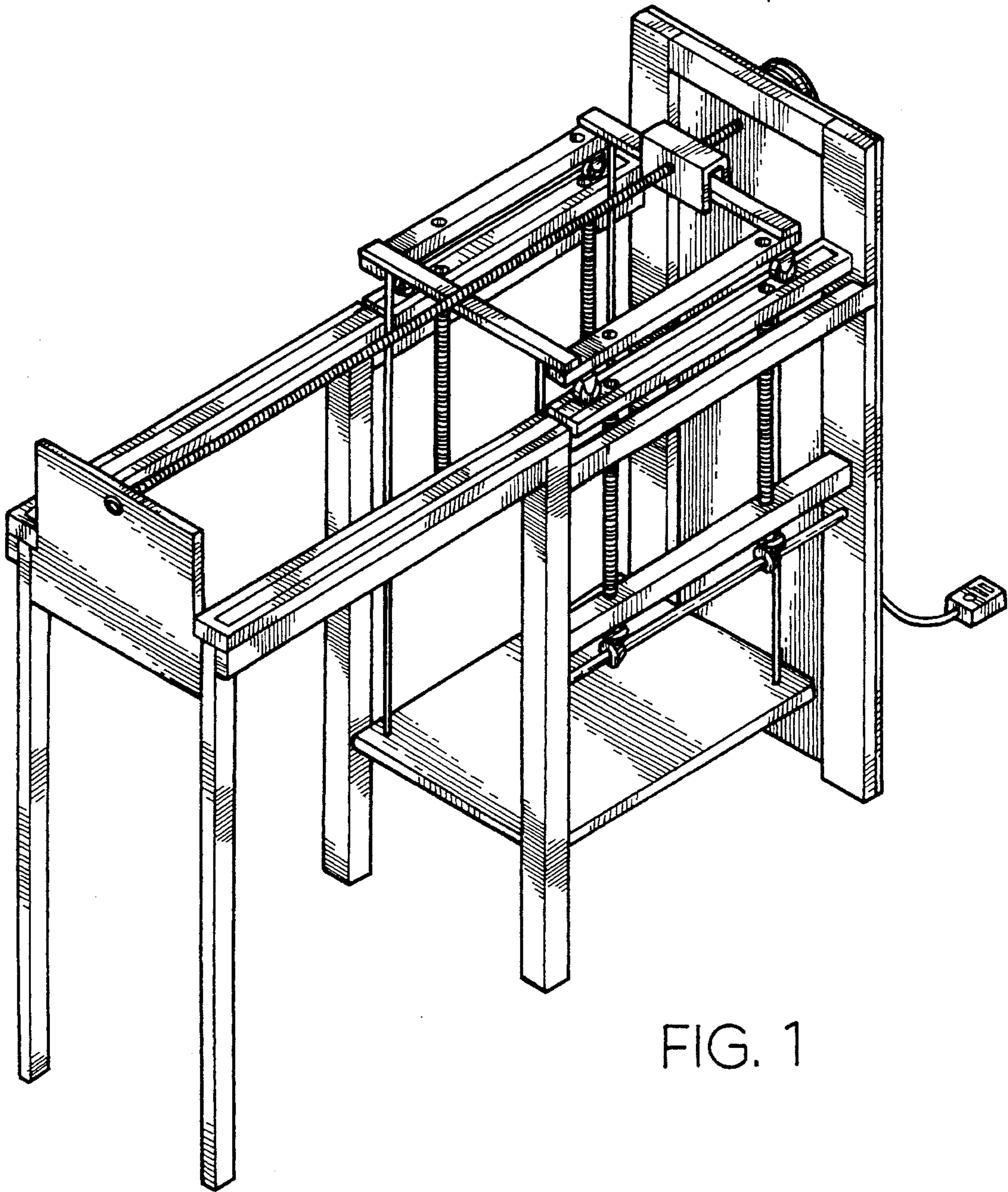


FIG. 1



FIG. 2

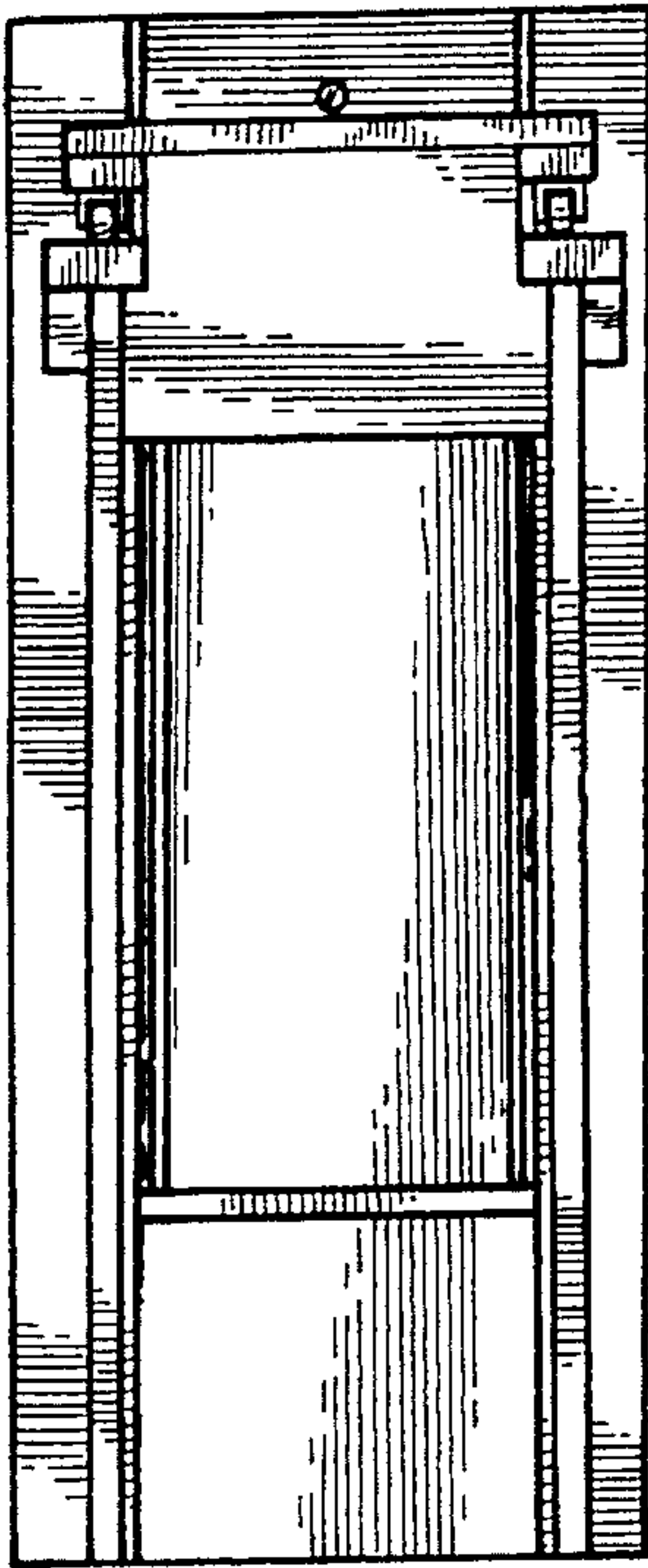


FIG. 3

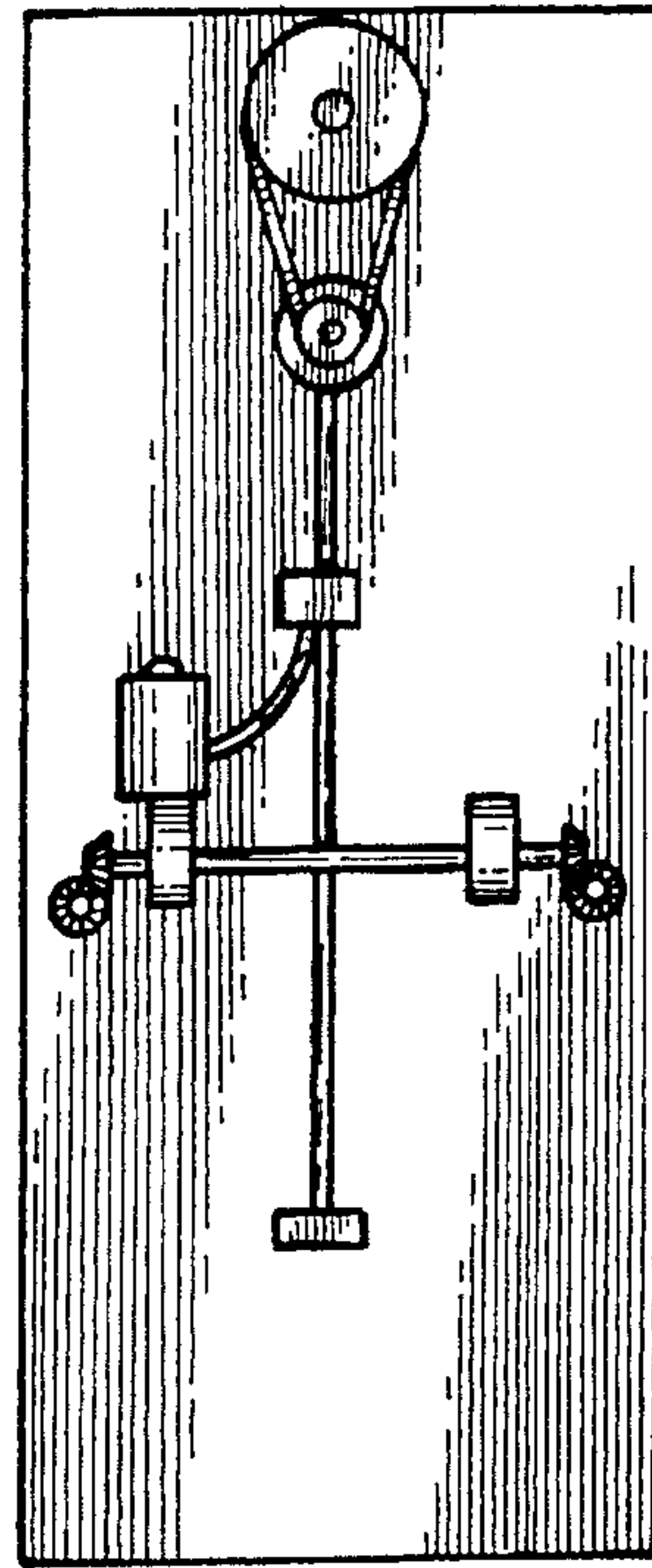
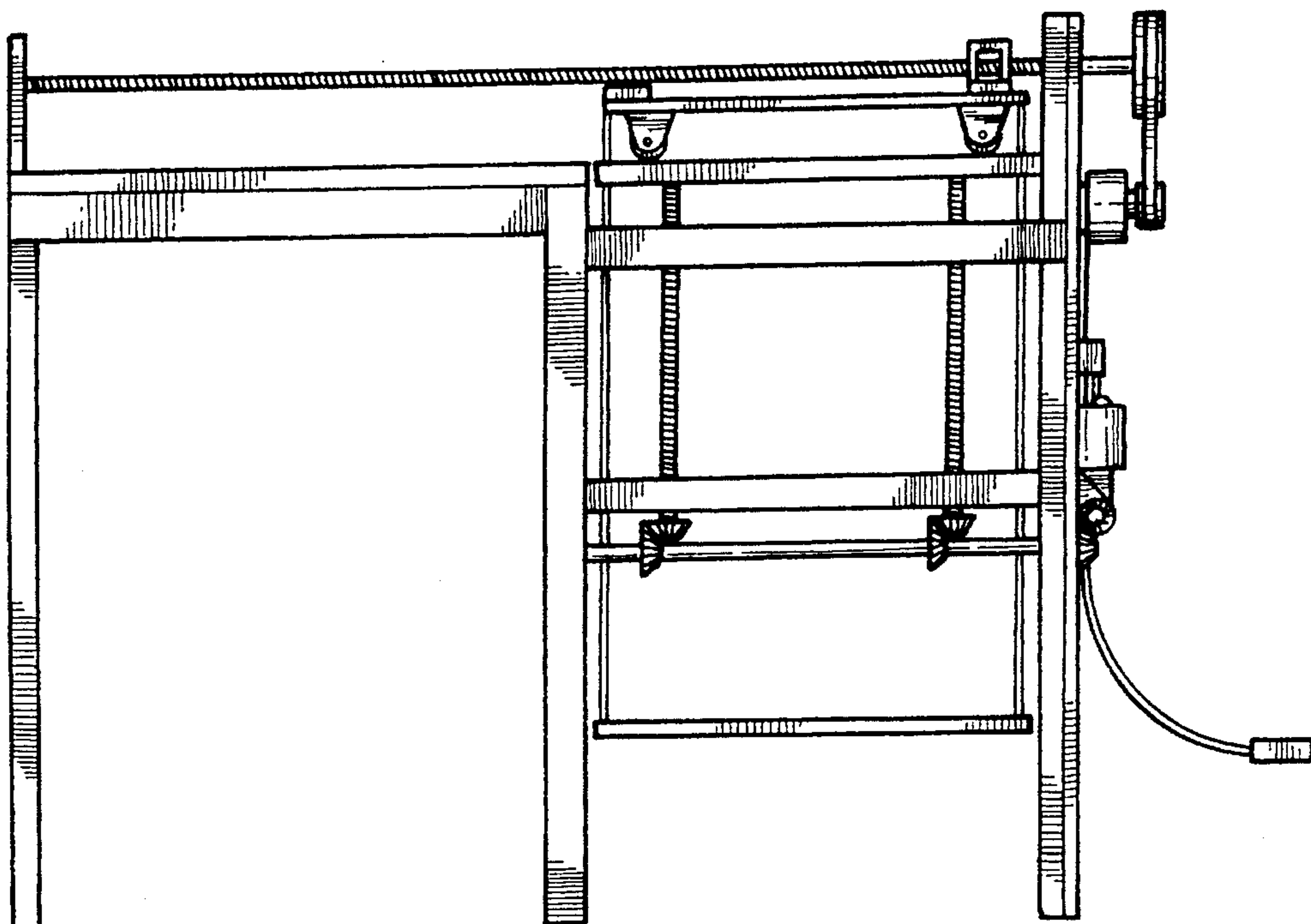


FIG. 4



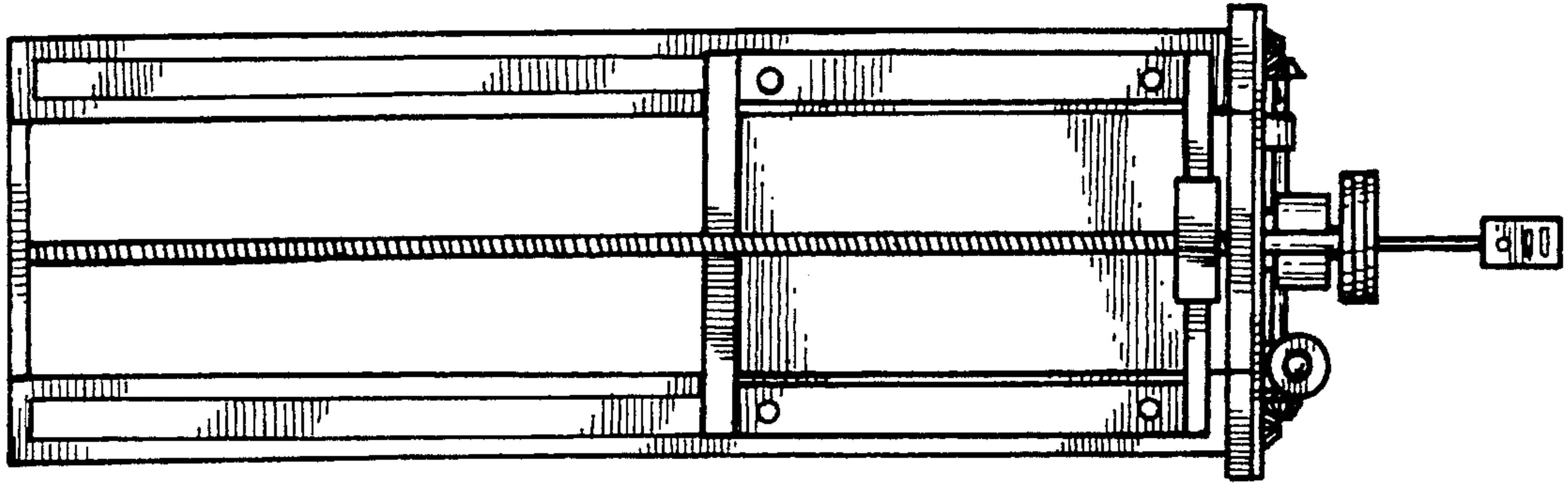


FIG. 5

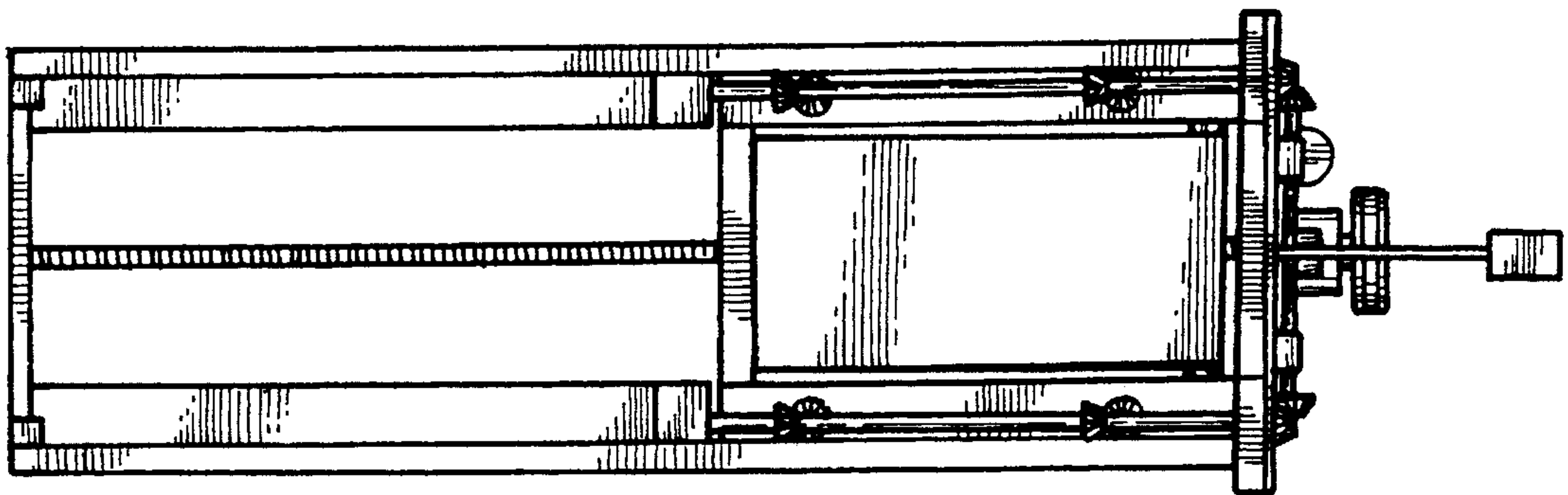


FIG. 6