



US00D373879S

United States Patent [19]

[11] Patent Number: **Des. 373,879**

Wyborn

[45] Date of Patent: ****Sep. 17, 1996**

[54] **WHEELCHAIR HOIST**

4,759,684 7/1988 Lanzillotta D34/28

[76] Inventor: **Kenneth G. Wyborn**, 26 Peppermint Place, South Grafton, New South Wales, 2460, Australia

Primary Examiner—A. Hugo Word
Assistant Examiner—Robin V. Taylor
Attorney, Agent, or Firm—Fitzpatrick, Cella, Harper & Scinto

[**] Term: **14 Years**

[57] **CLAIM**

[21] Appl. No.: **38,850**

The ornamental design for a wheelchair hoist, as shown and described.

[22] Filed: **May 16, 1995**

[30] **Foreign Application Priority Data**

DESCRIPTION

Nov. 16, 1994 [AU] Australia 3851/94

[52] U.S. Cl. **D34/28**

[58] Field of Search D34/28, 33; 187/200; 414/539-541, 678, 921

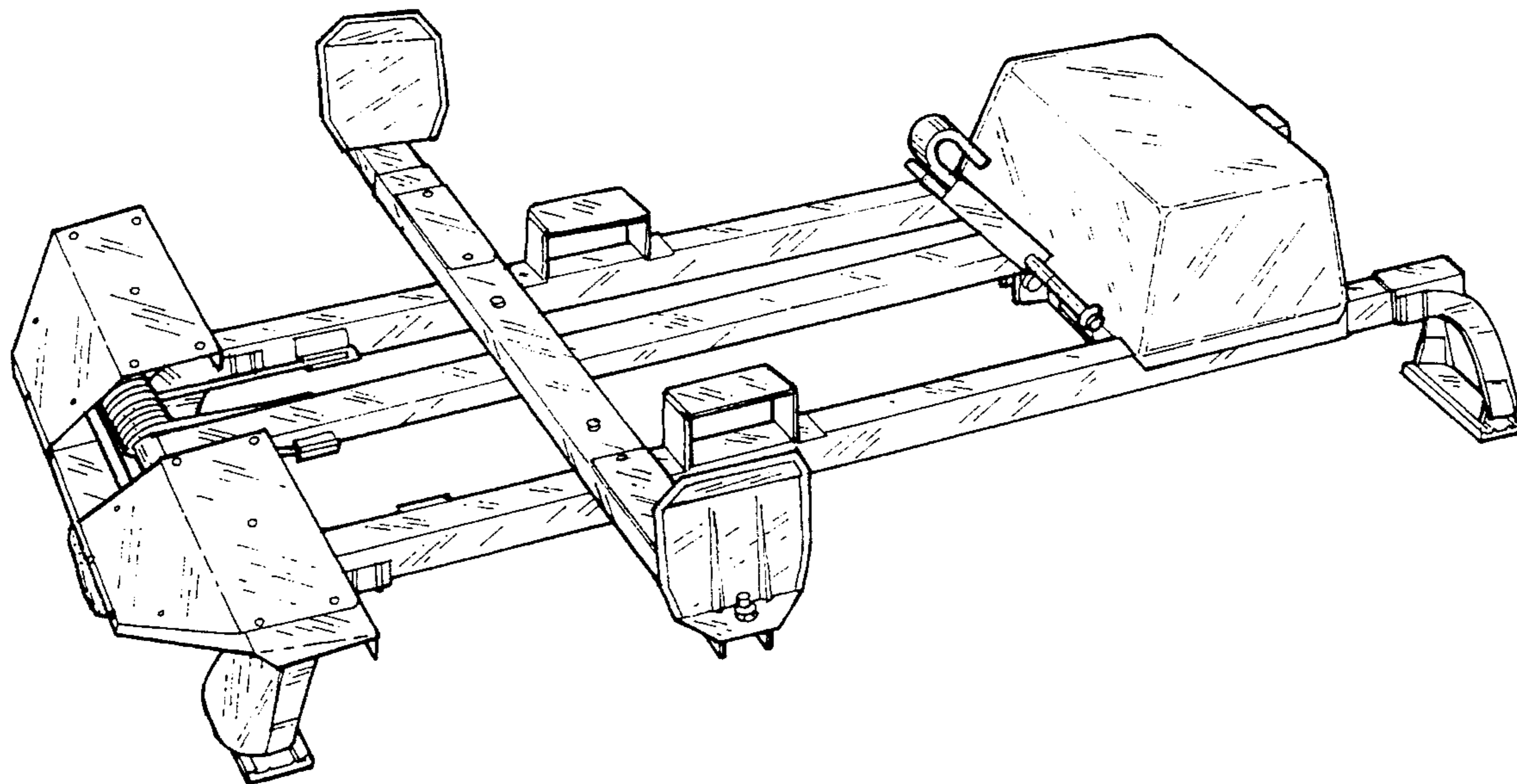
FIG. 1 is a perspective view from above and to the side of a wheelchair hoist showing my new design; FIG. 2 is an end view thereof; FIG. 3 is an opposite end view thereof; FIG. 4 is a side view thereof; FIG. 5 is an opposite side view thereof; FIG. 6 is a further perspective view from above; and, FIG. 7 is a perspective view from below.

[56] **References Cited**

U.S. PATENT DOCUMENTS

D. 314,654 2/1991 Olyslagers D34/28
4,493,602 1/1985 Koerber 414/541

1 Claim, 7 Drawing Sheets



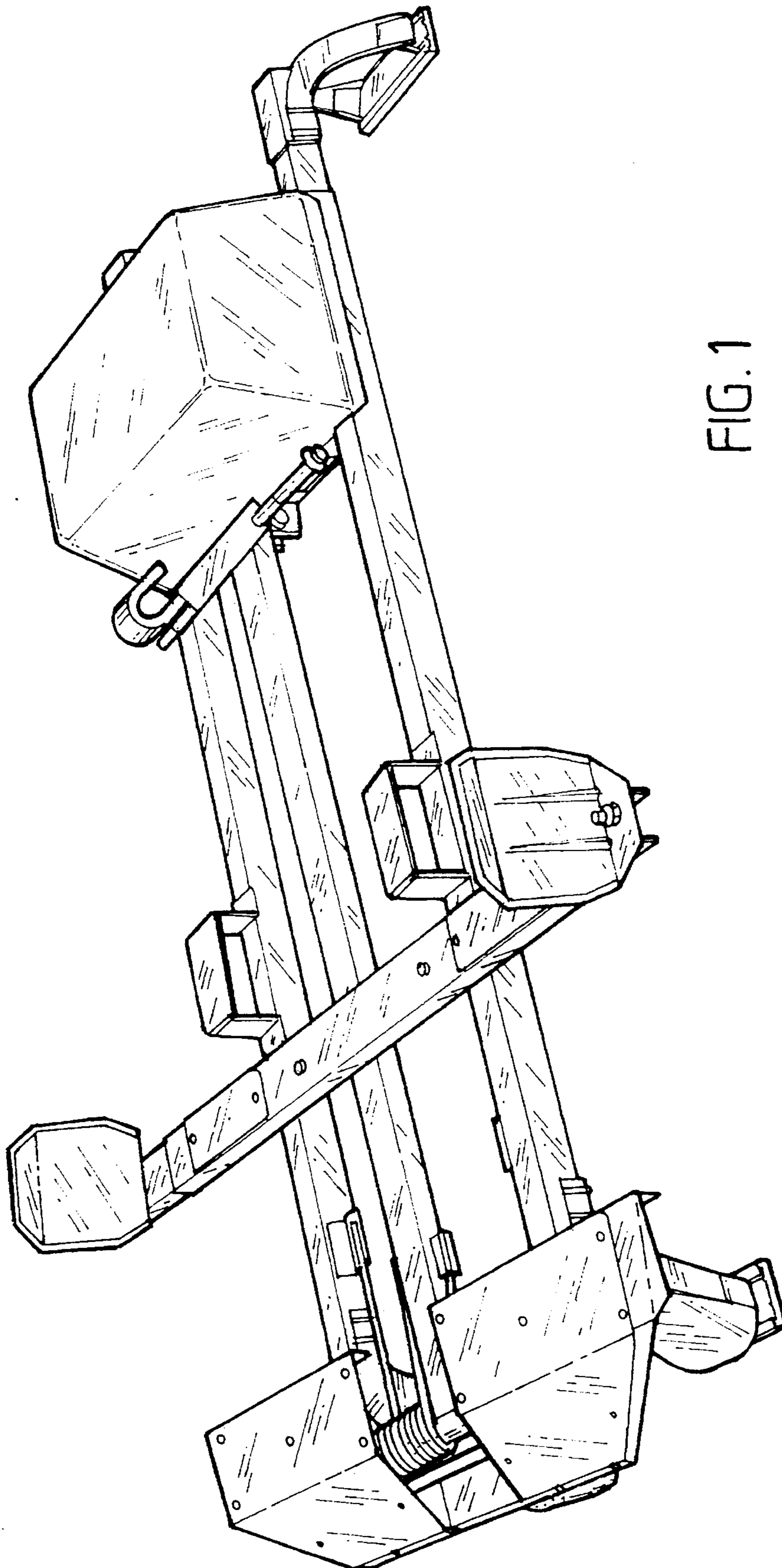


FIG. 1

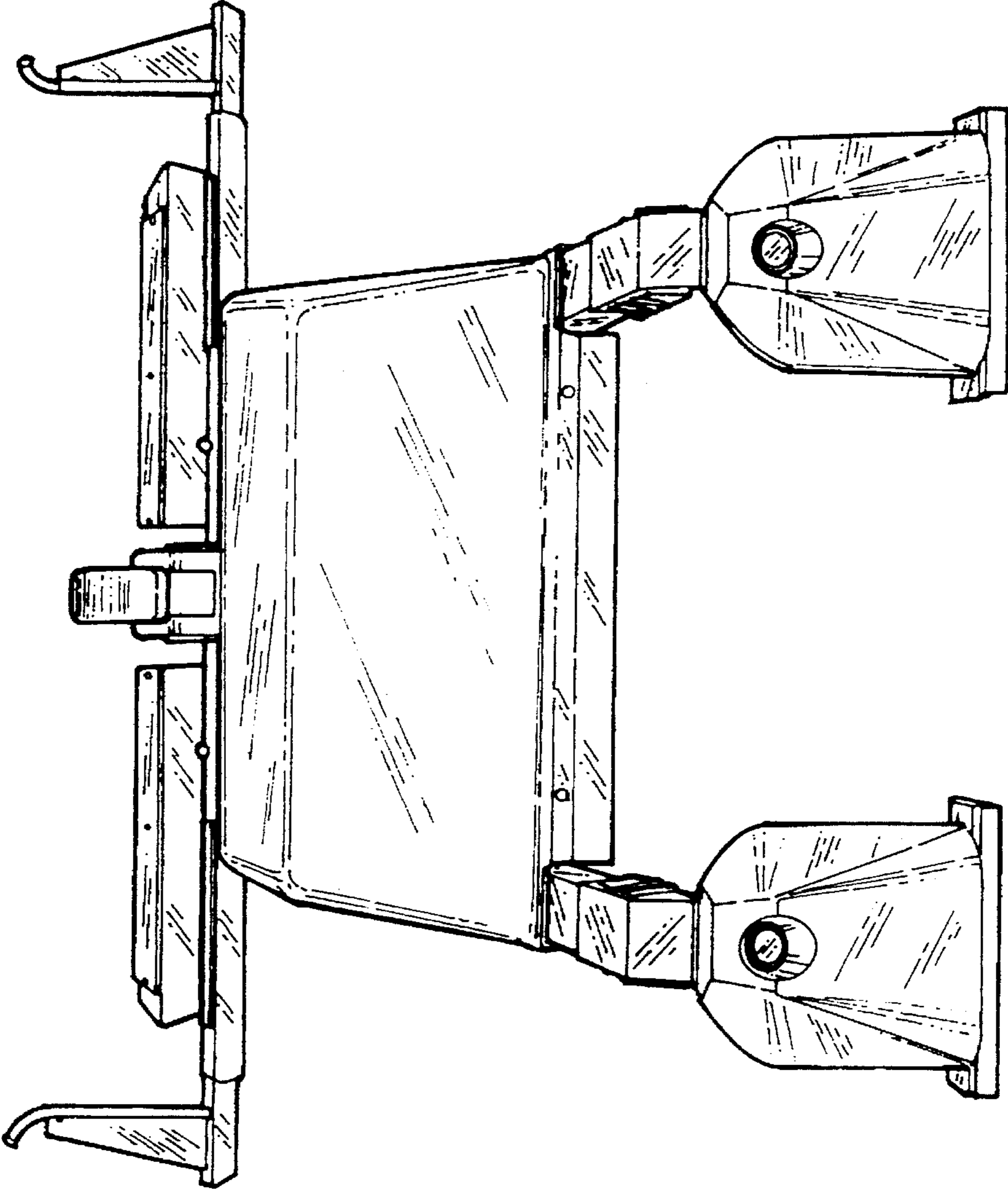


FIG. 2

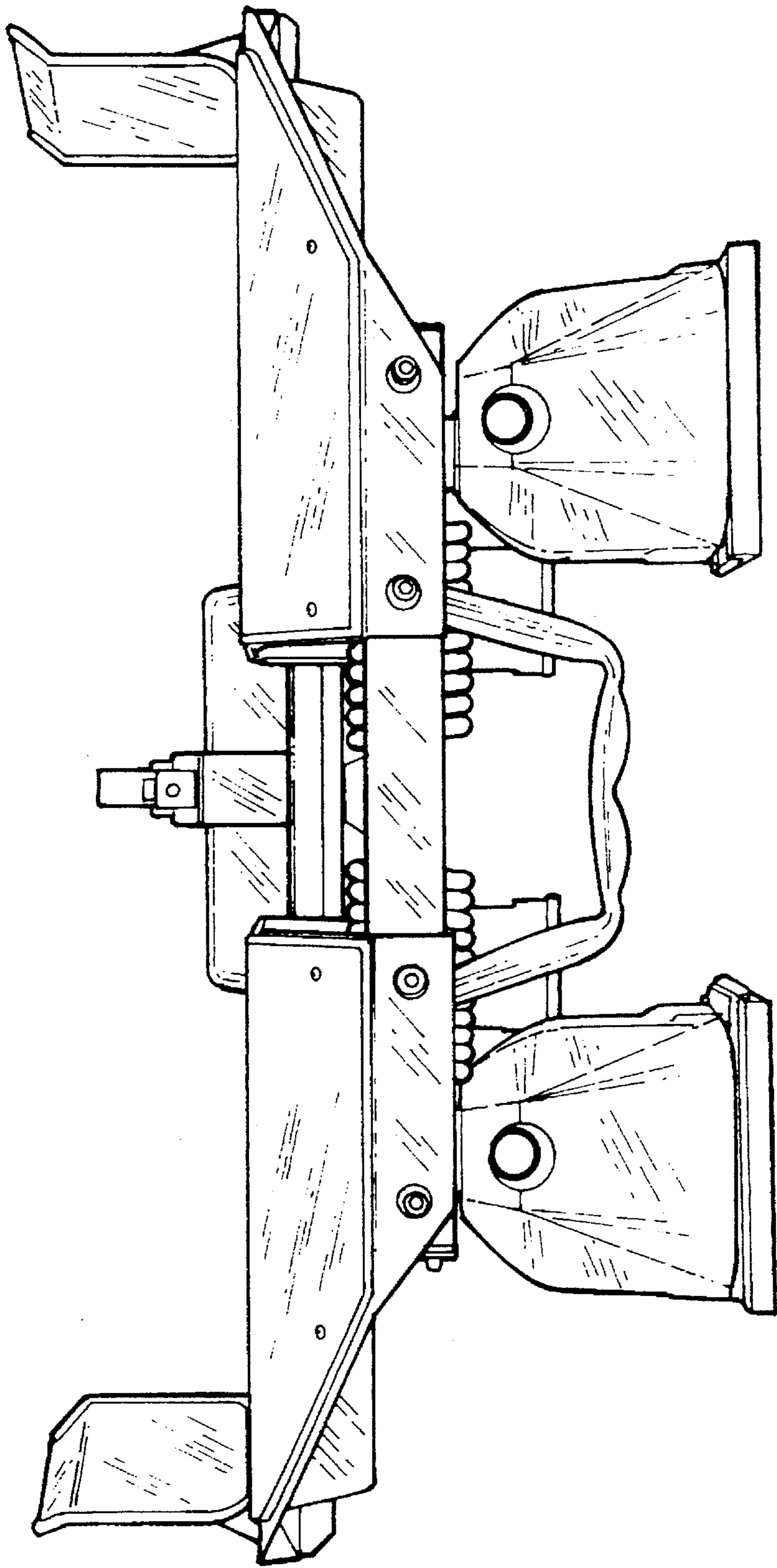


FIG. 3

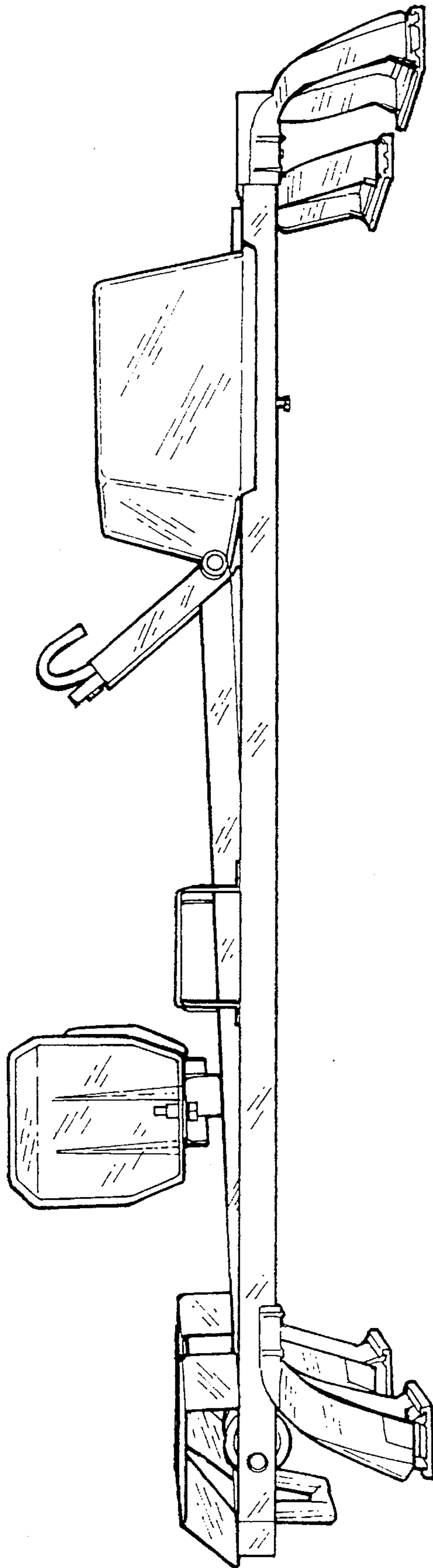


FIG. 4

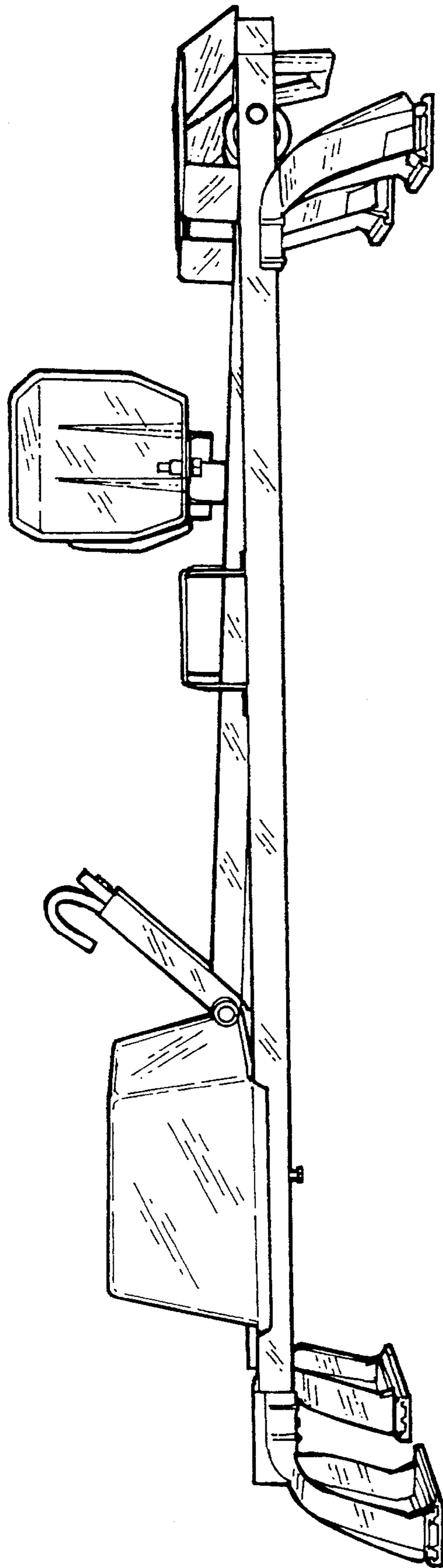


FIG. 5

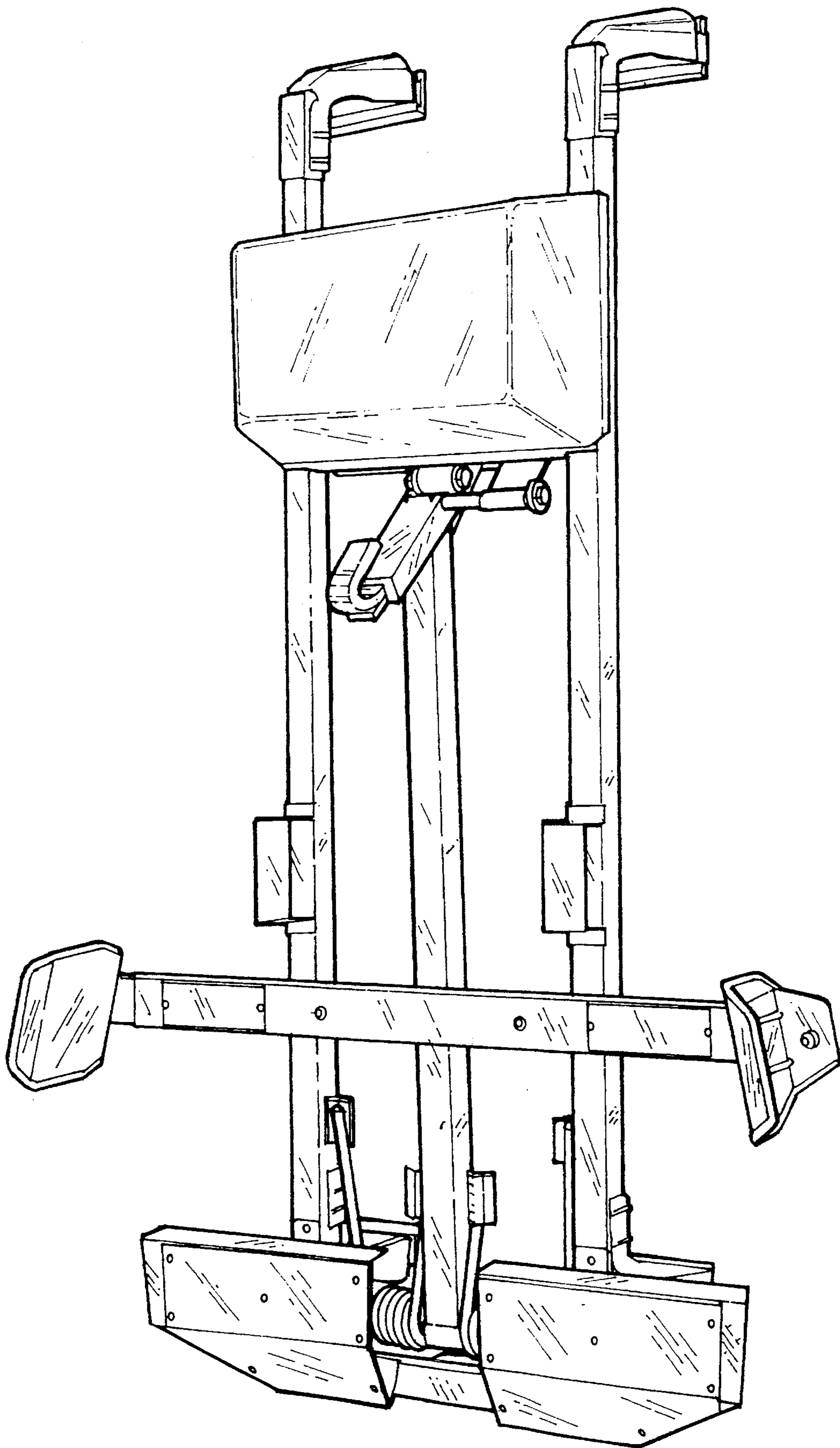


FIG. 6

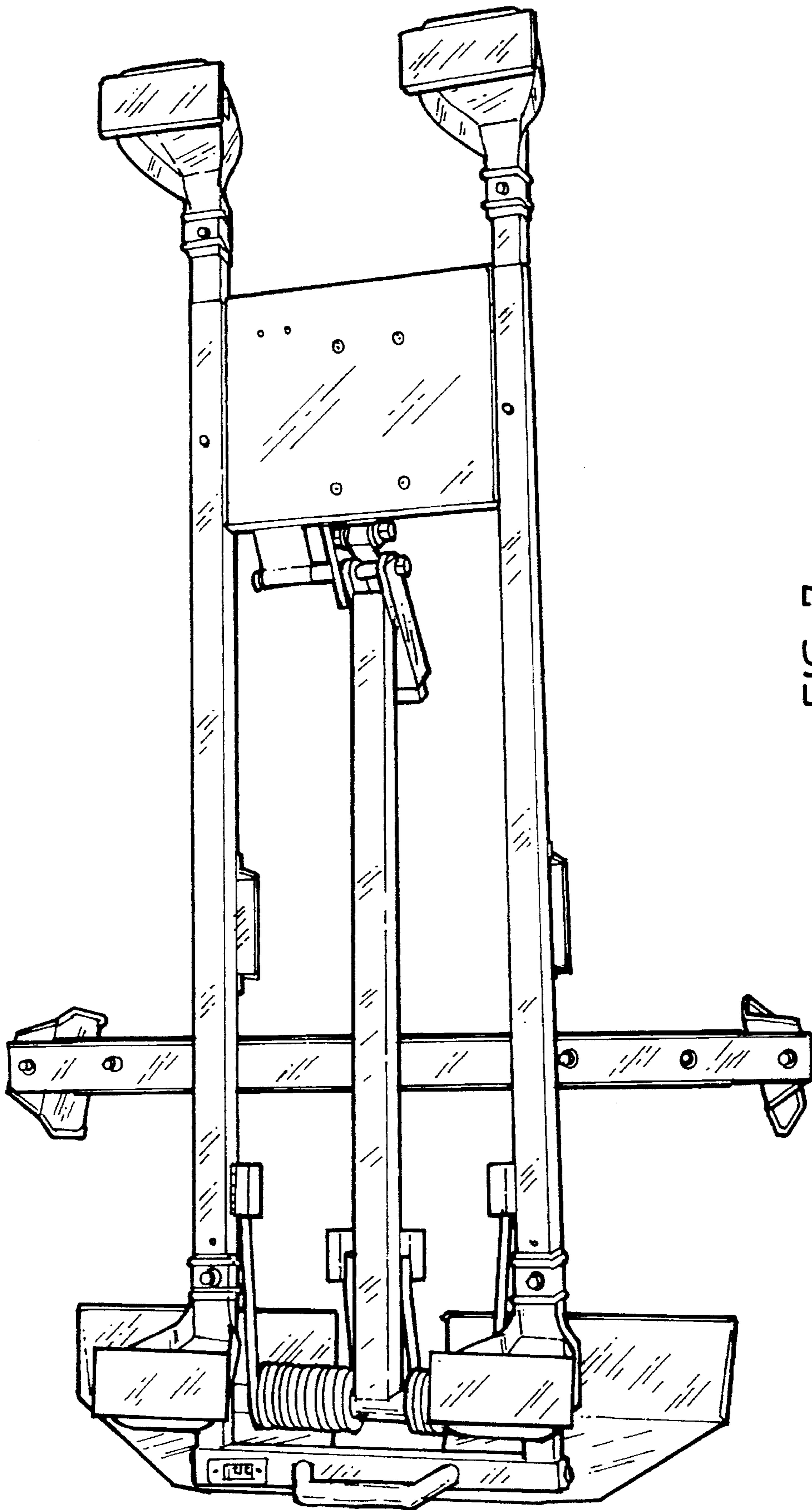


FIG. 7