



US00D373878S

# United States Patent [19]

Van Der Storm

[11] Patent Number: **Des. 373,878**

[45] Date of Patent: **\*\*Sep. 17, 1996**

[54] **FOLDABLE WHEELBARROW**

2146591	4/1985	United Kingdom .....	280/653
2206317	1/1989	United Kingdom .....	280/653
2240749	8/1991	United Kingdom .....	280/653

[75] Inventor: **Eric L. Van Der Storm**, Zandvoort, Netherlands

*Primary Examiner*—Kay H. Chin  
*Attorney, Agent, or Firm*—Hill, Steadman & Simpson, A Professional Corporation

[73] Assignee: **Alu-Light Products B.V.**, Zandvoort, Netherlands

[\*\*] Term: **14 Years**

[57] **CLAIM**

[21] Appl. No.: **24,631**

The ornamental design for a foldable wheelbarrow, as shown and described.

[22] Filed: **Jun. 17, 1994**

**DESCRIPTION**

[30] **Foreign Application Priority Data**

FIG. 1 is a perspective view of the foldable wheelbarrow of my design;

Dec. 17, 1993 [BX] Benelux TM/Des. Off. .... 69316-00

FIG. 2 is a top plan view of the foldable wheelbarrow of FIG. 1;

[52] U.S. Cl. .... **D34/16**

FIG. 3 is a bottom plan view of the foldable wheelbarrow of FIG. 1;

[58] Field of Search ..... D34/12, 16, 15; D32/37; 280/47.31, 653, 47.26, 47.3

FIG. 4 is a front elevational view of the foldable wheelbarrow of FIG. 1;

[56] **References Cited**

**U.S. PATENT DOCUMENTS**

FIG. 5 is a back elevational view of the foldable wheelbarrow of FIG. 1; and,

3,870,367 3/1975 O'Brien ..... 280/47.31

FIG. 6 is a side elevational view of the foldable wheelbarrow of FIG. 1 with the opposite side being a mirror image.

**FOREIGN PATENT DOCUMENTS**

8403122 5/1986 Netherlands ..... 280/653

**1 Claim, 3 Drawing Sheets**

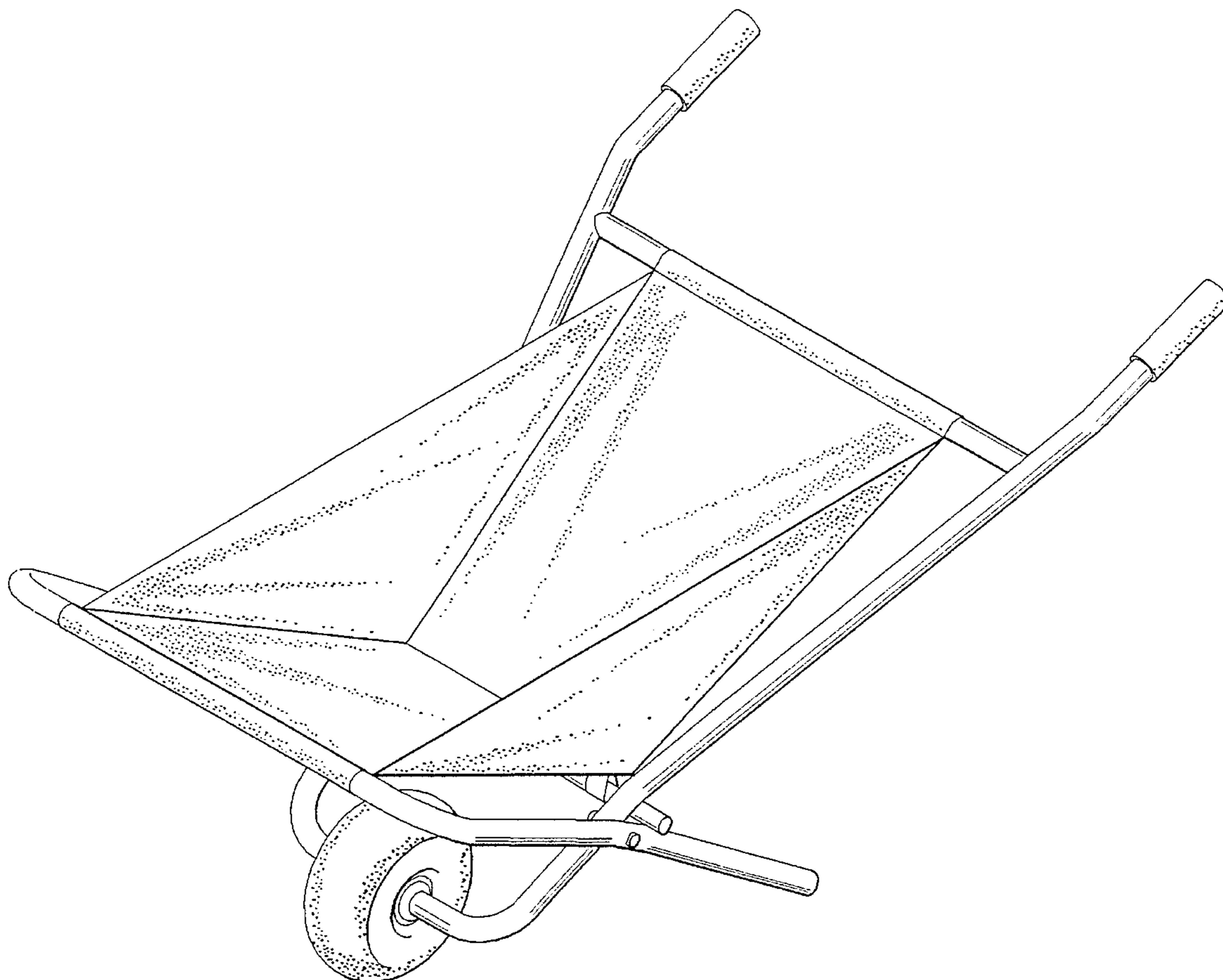


FIG. 1

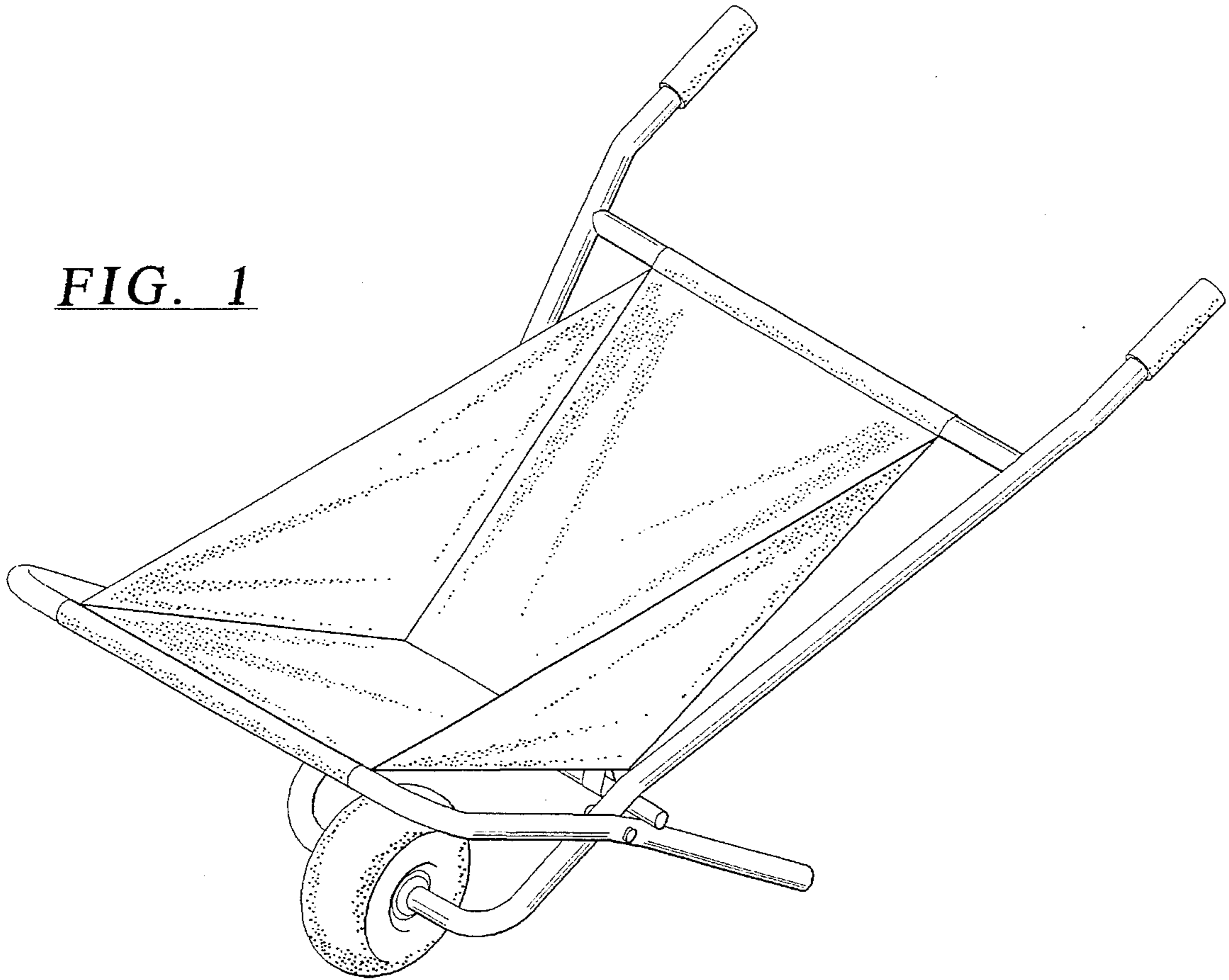


FIG. 2

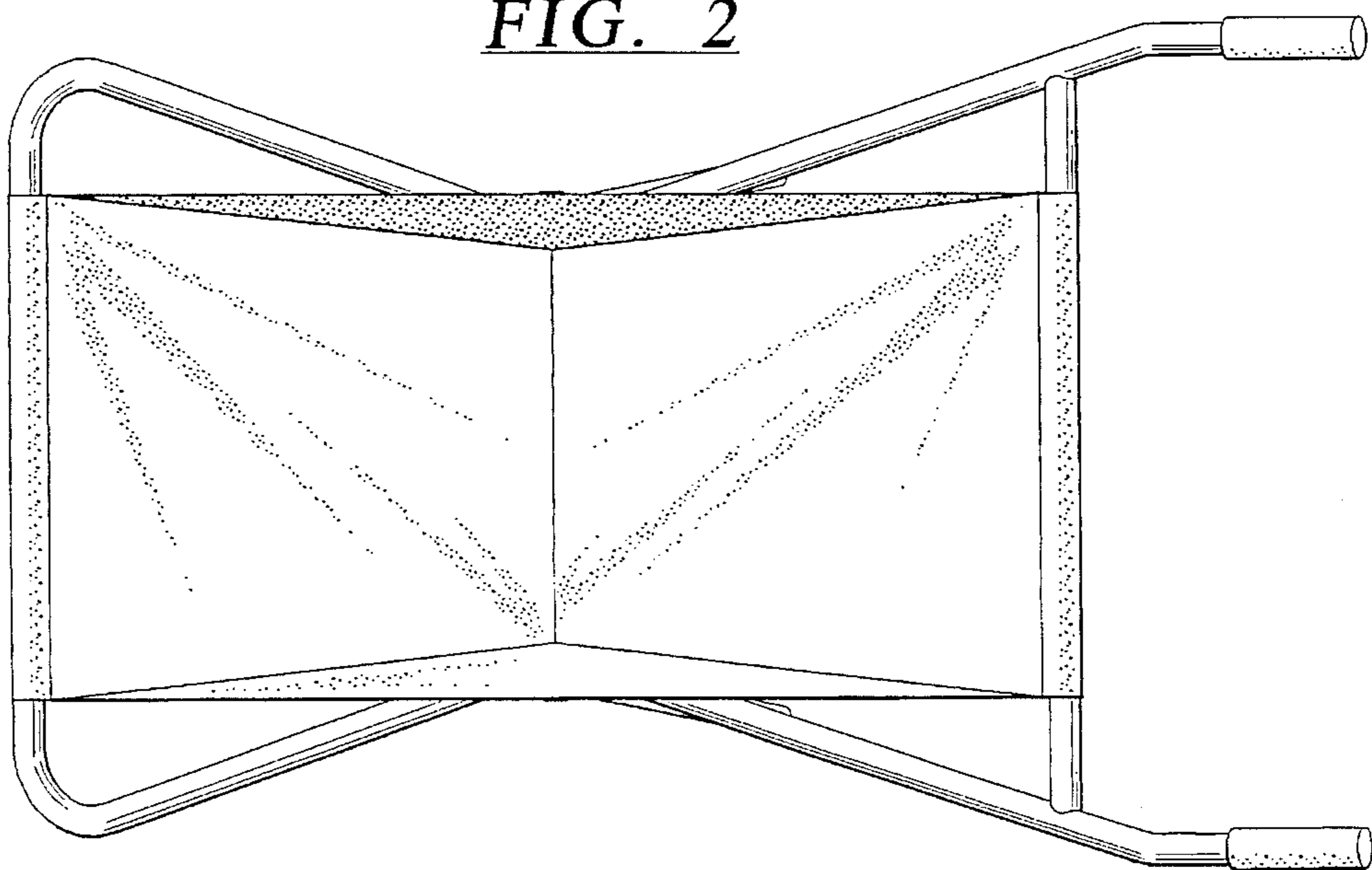


FIG. 3

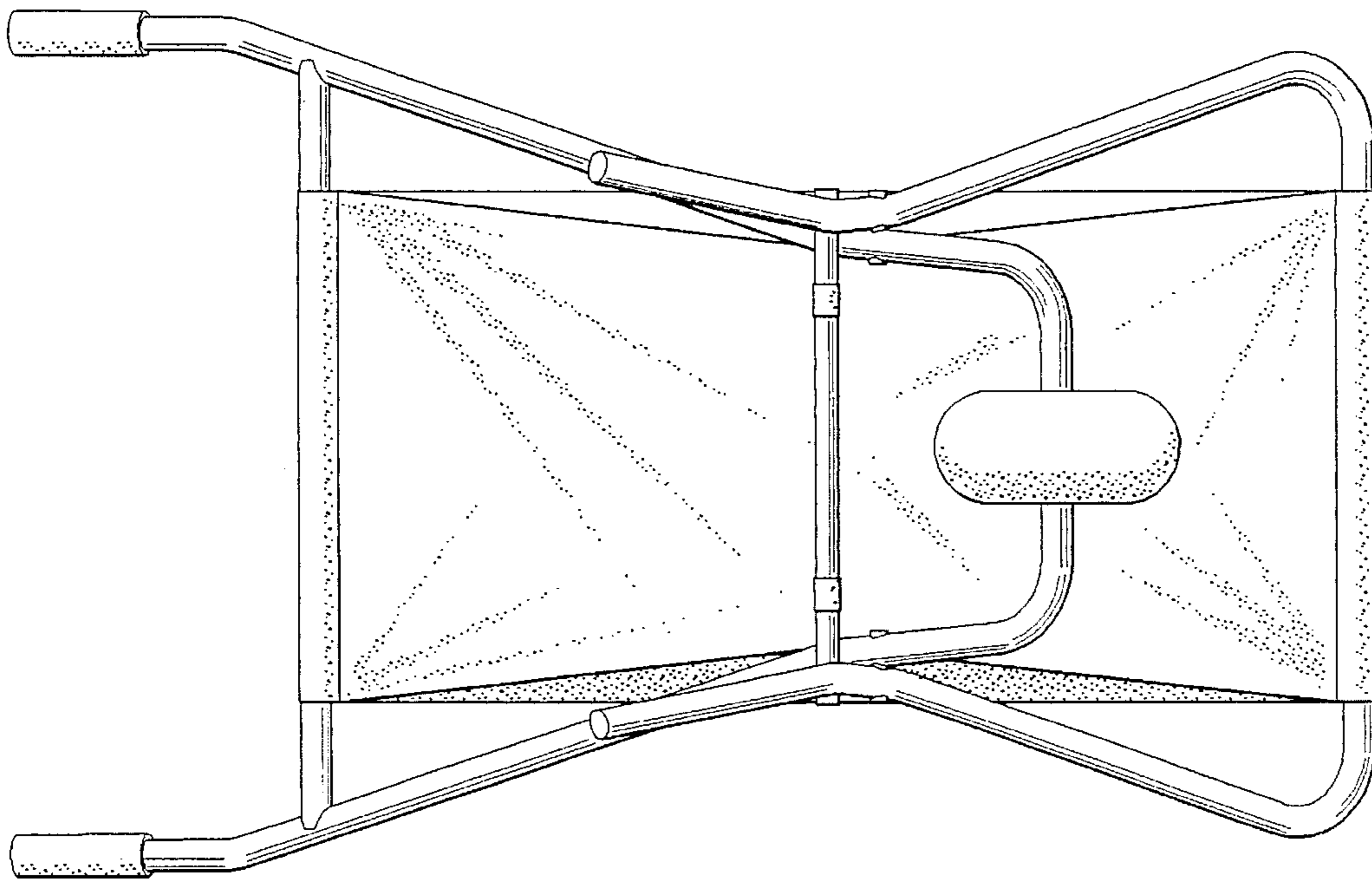
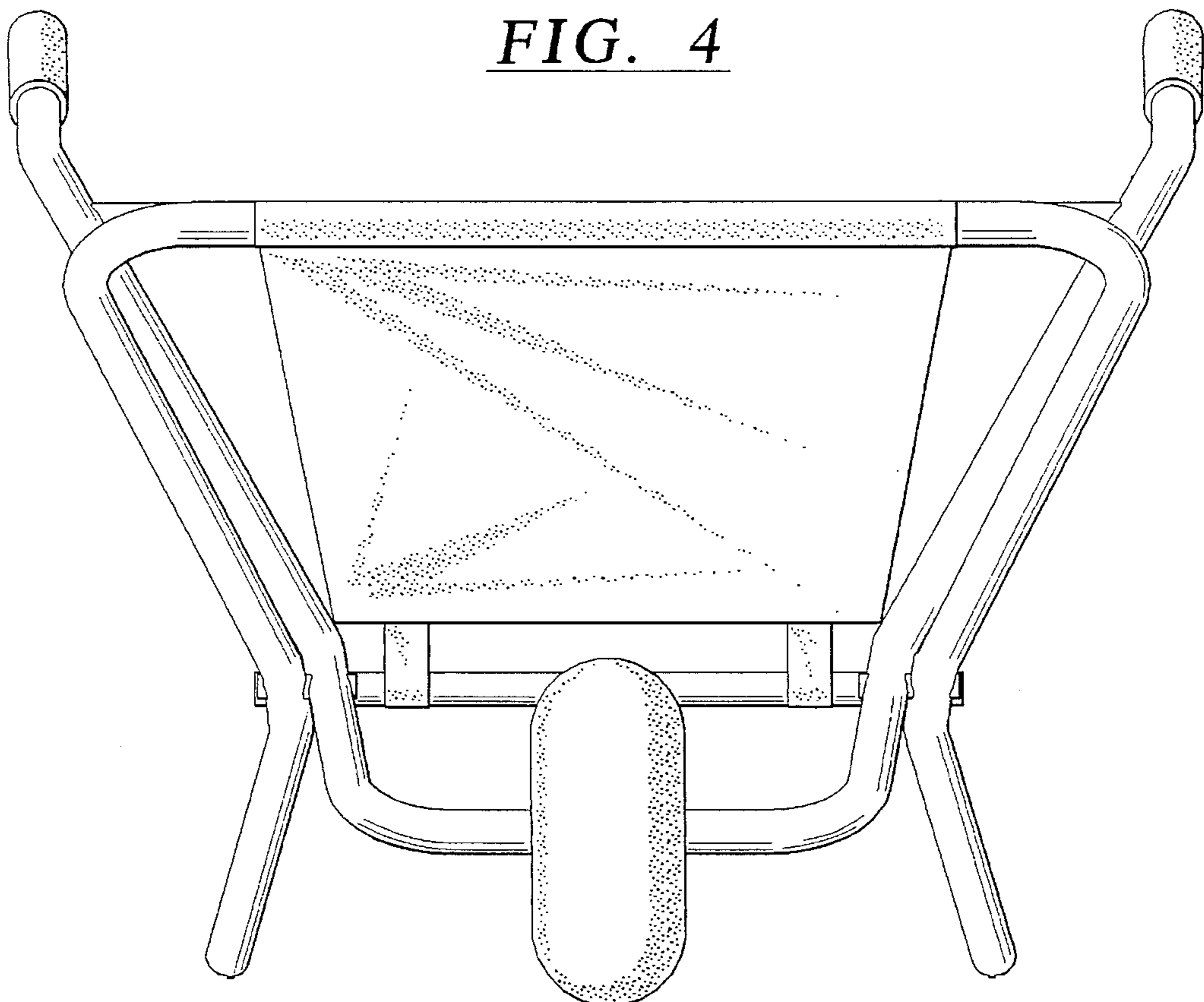


FIG. 4



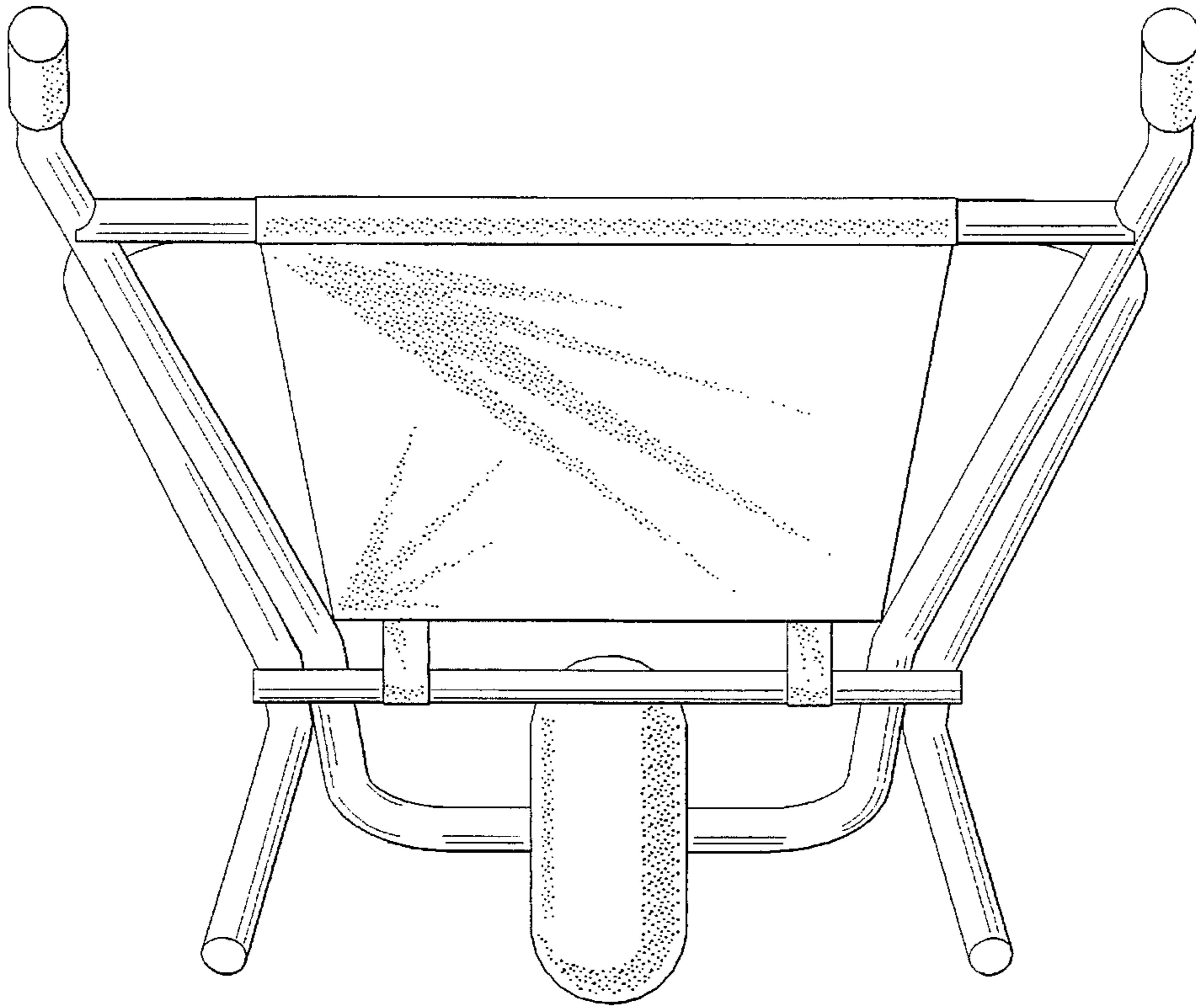


FIG. 5

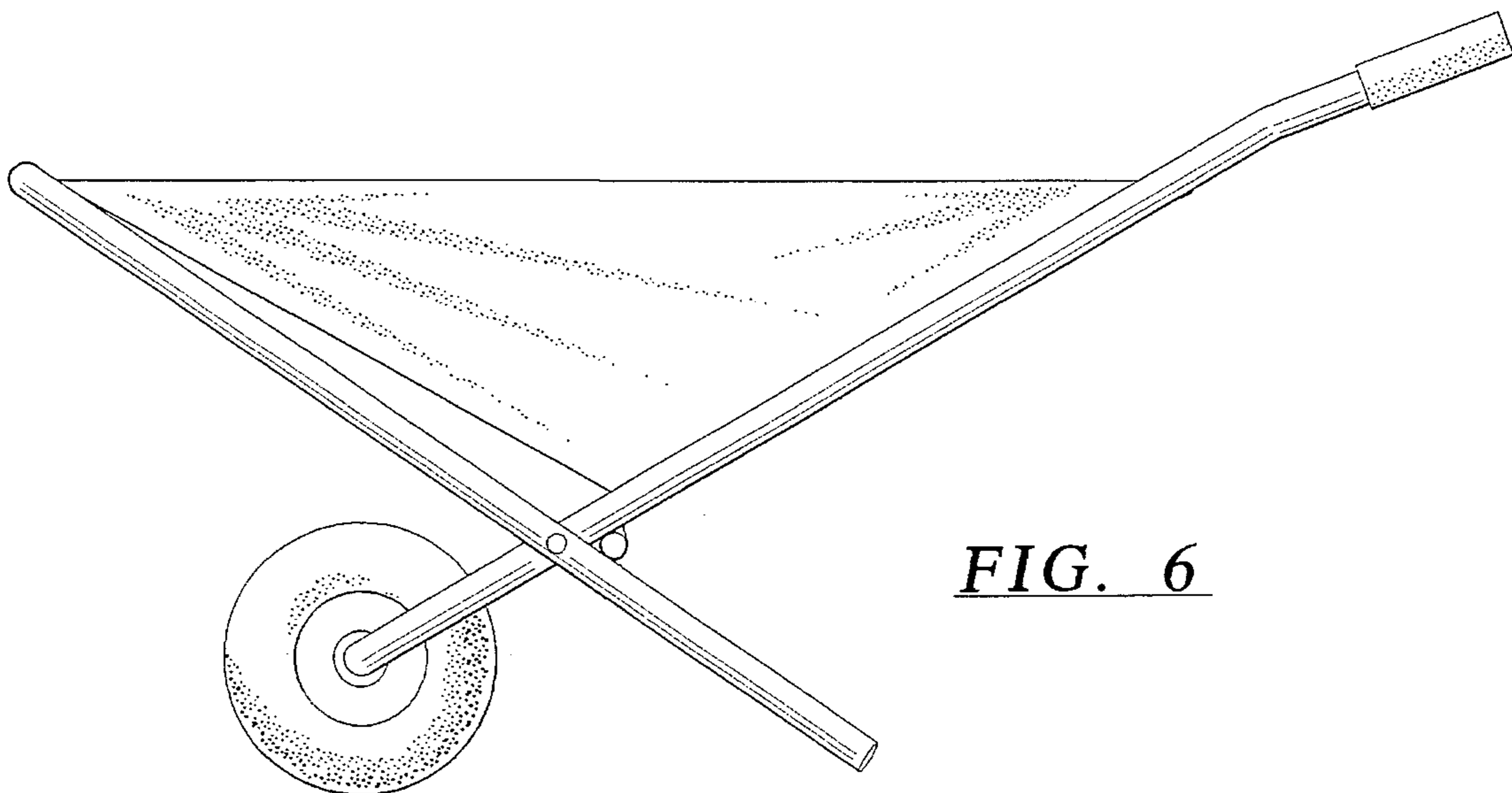


FIG. 6