



US00D373877S

United States Patent [19]

[11] Patent Number: **Des. 373,877**

Tsai

[45] Date of Patent: ****Sep. 17, 1996**

[54] MULTI-PURPOSE CART

DESCRIPTION

[76] Inventor: **Yih K. Tsai**, No. 4-6, Lane 150 Sec. 1, Hsin Sheng S. Rd., Taipei, Taiwan

[**] Term: **14 Years**

[21] Appl. No.: **12,847**

[22] Filed: **Sep. 10, 1993**

[52] U.S. Cl. **D34/12; D25/66**

[58] Field of Search **D12/1; D15/122, D15/199; D25/62-69; D34/12; 144/286 R, 286 A, 287; 280/30, 32, 43.17**

[56] References Cited

U.S. PATENT DOCUMENTS

D. 157,023	1/1950	Ashenfelter	D25/66
D. 265,425	7/1982	Graas	D25/66
2,781,201	2/1957	Trembley	280/30
4,637,626	1/1987	Foss et al.	280/43.17 X

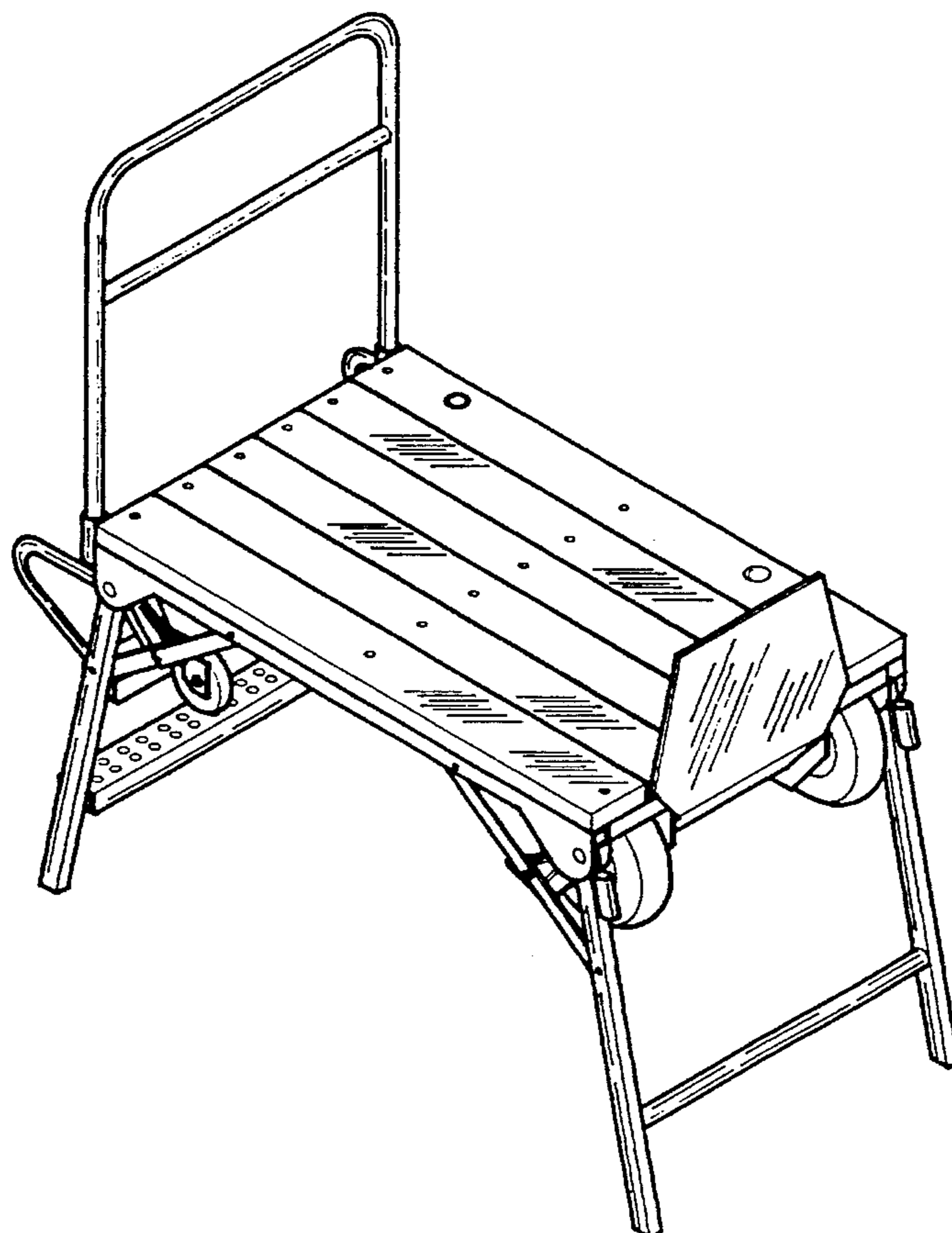
Primary Examiner—Alan P. Douglas
Assistant Examiner—Antoine D. Davis
Attorney, Agent, or Firm—W. Wayne Liauh

[57] CLAIM

The ornamental design for a multi-purpose cart, shown and described.

FIG. 1 is a left side elevational view of a multi-purpose cart in accordance with the design of the present invention; FIG. 2 is a front elevational view thereof; FIG. 3 is a rear elevational view thereof; FIG. 4 is a top plan view thereof; FIG. 5 is a bottom plan view thereof; FIG. 6 is a right side elevational view thereof; FIG. 7 is a perspective view thereof; FIG. 8 is a perspective view showing a second preferred embodiment of the design; FIG. 9 is a perspective view showing a third preferred embodiment of the design; FIG. 10 is a perspective view showing a fourth preferred embodiment of the design; FIG. 11 is a perspective view showing a fifth preferred embodiment of the design; FIG. 12 is a perspective view showing a sixth preferred embodiment of the design; FIG. 13 is a perspective view showing a seventh preferred embodiment of the design; FIG. 14 is a perspective view showing an eighth preferred embodiment of the design; FIG. 15 is a perspective view showing a ninth preferred embodiment of the design; and, FIG. 16 is a perspective view showing a tenth preferred embodiment of the design.

1 Claim, 16 Drawing Sheets



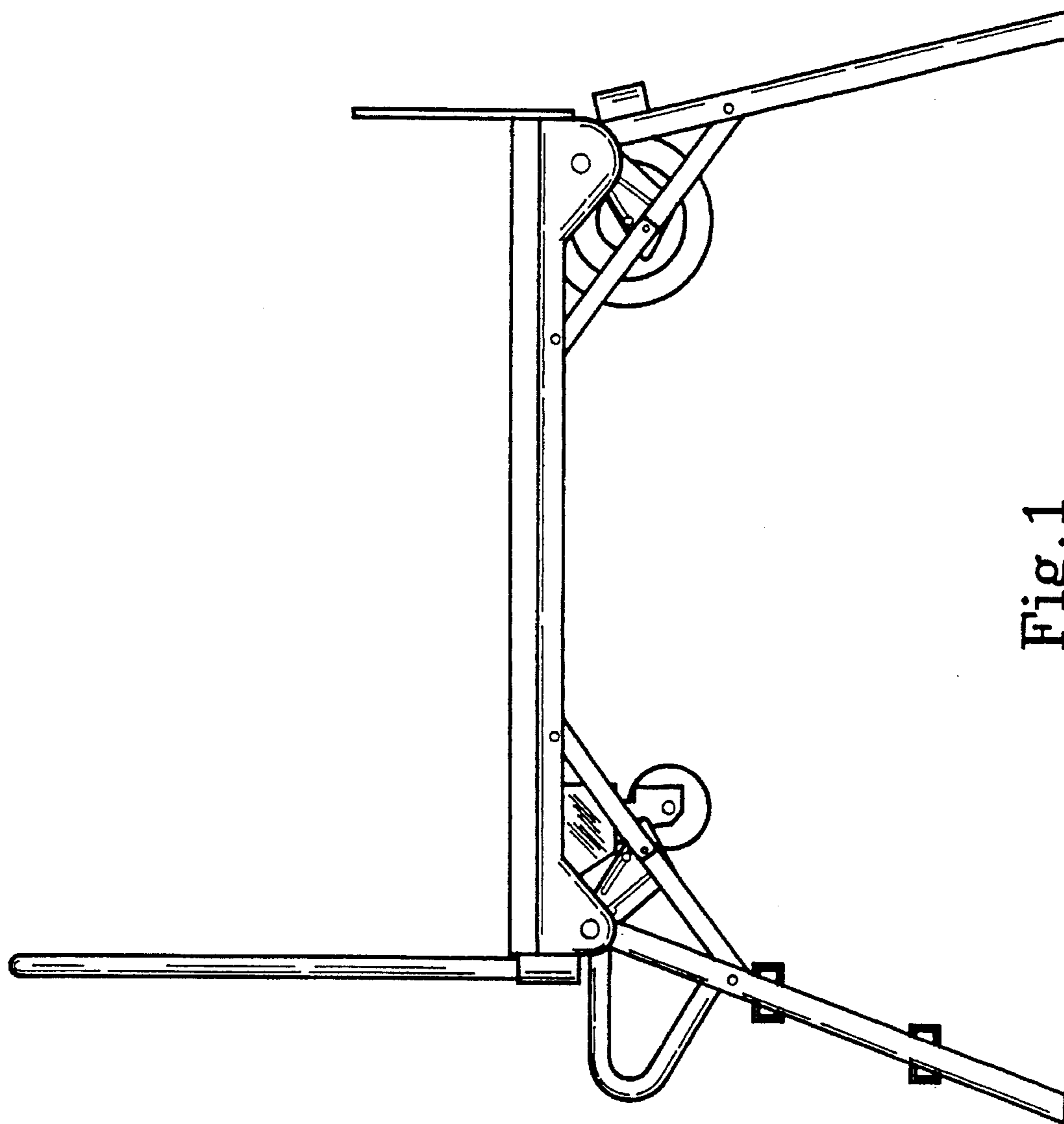


Fig. 1

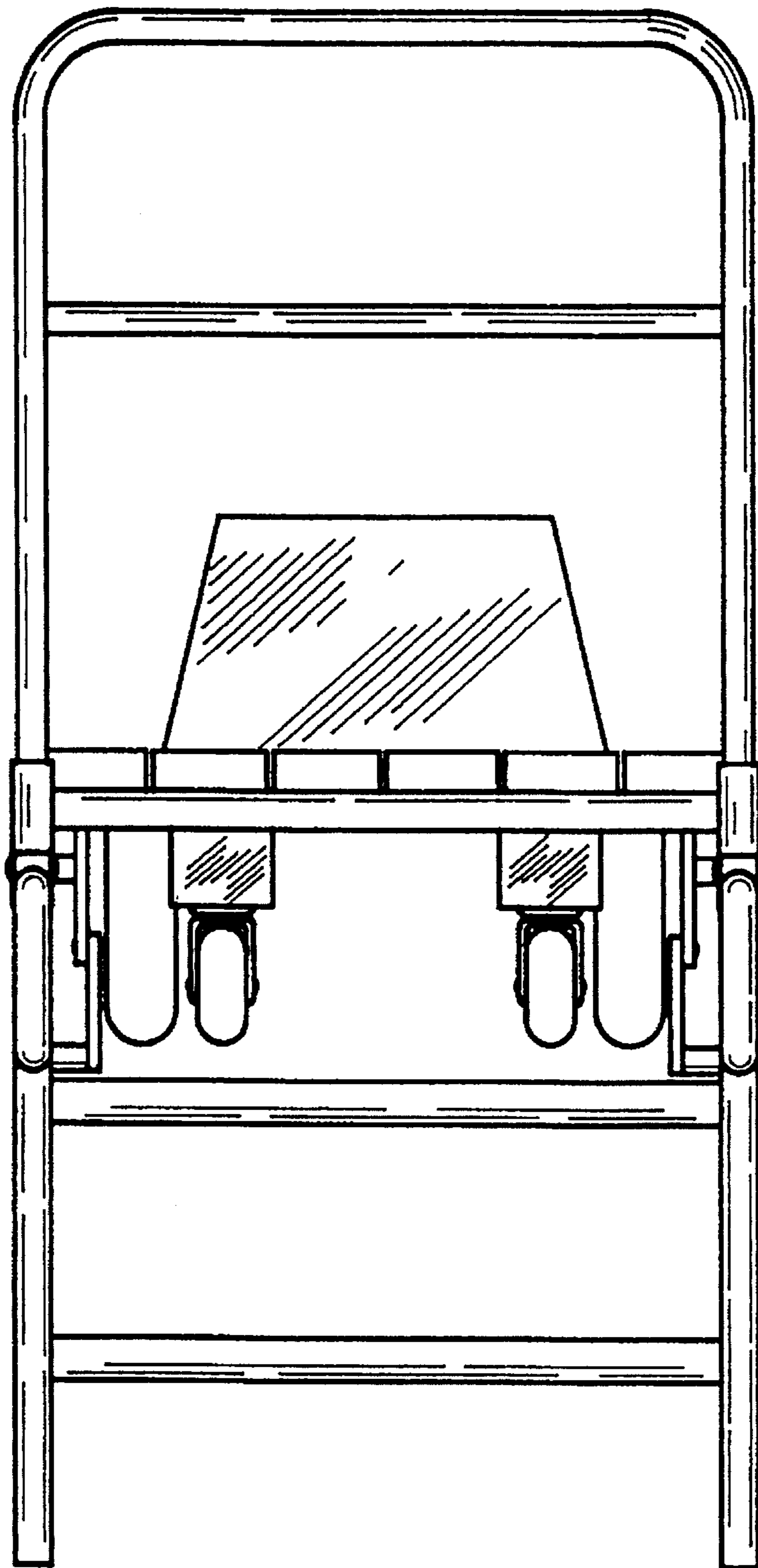


Fig. 2

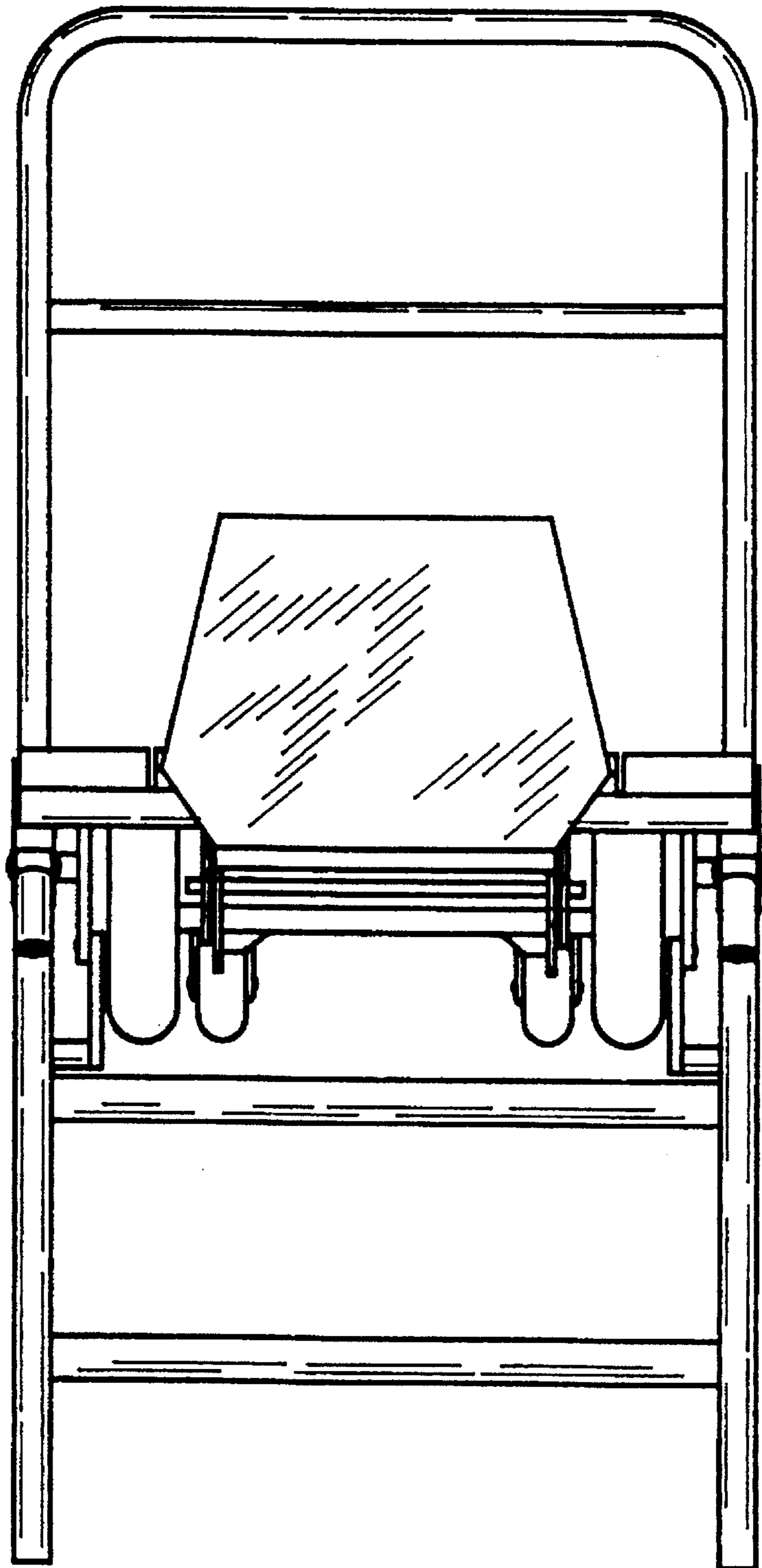


Fig. 3

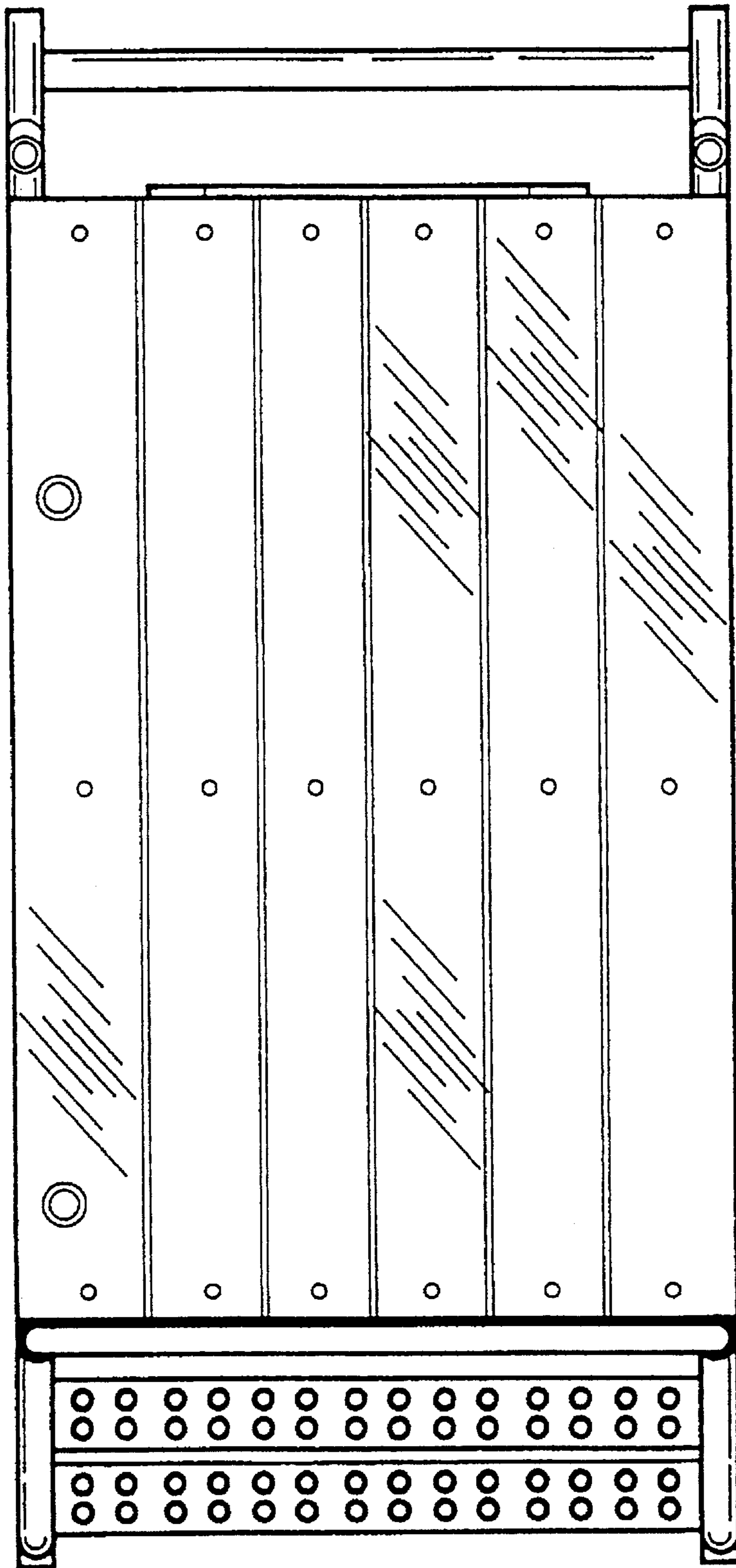


Fig. 4

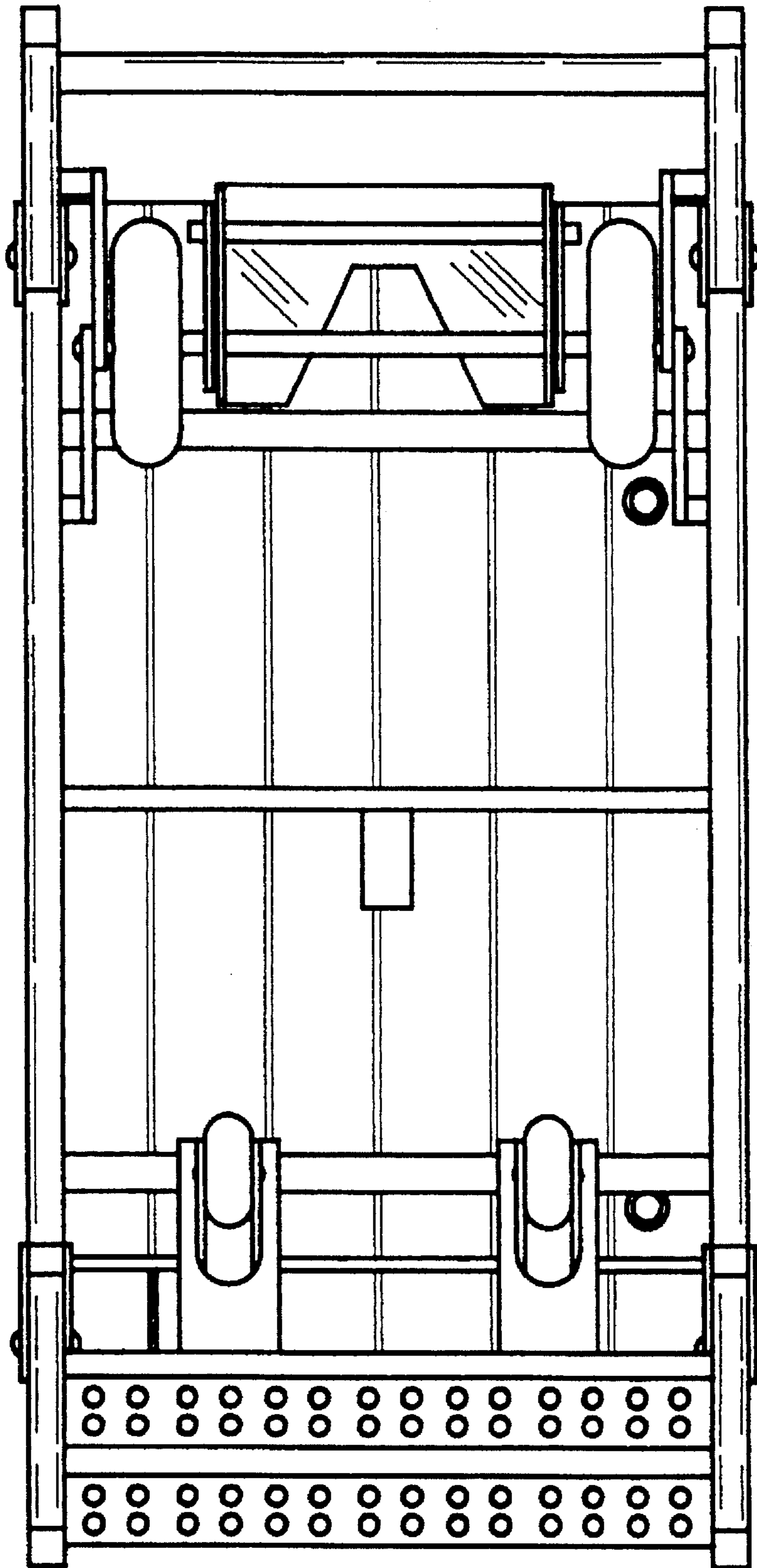


Fig. 5

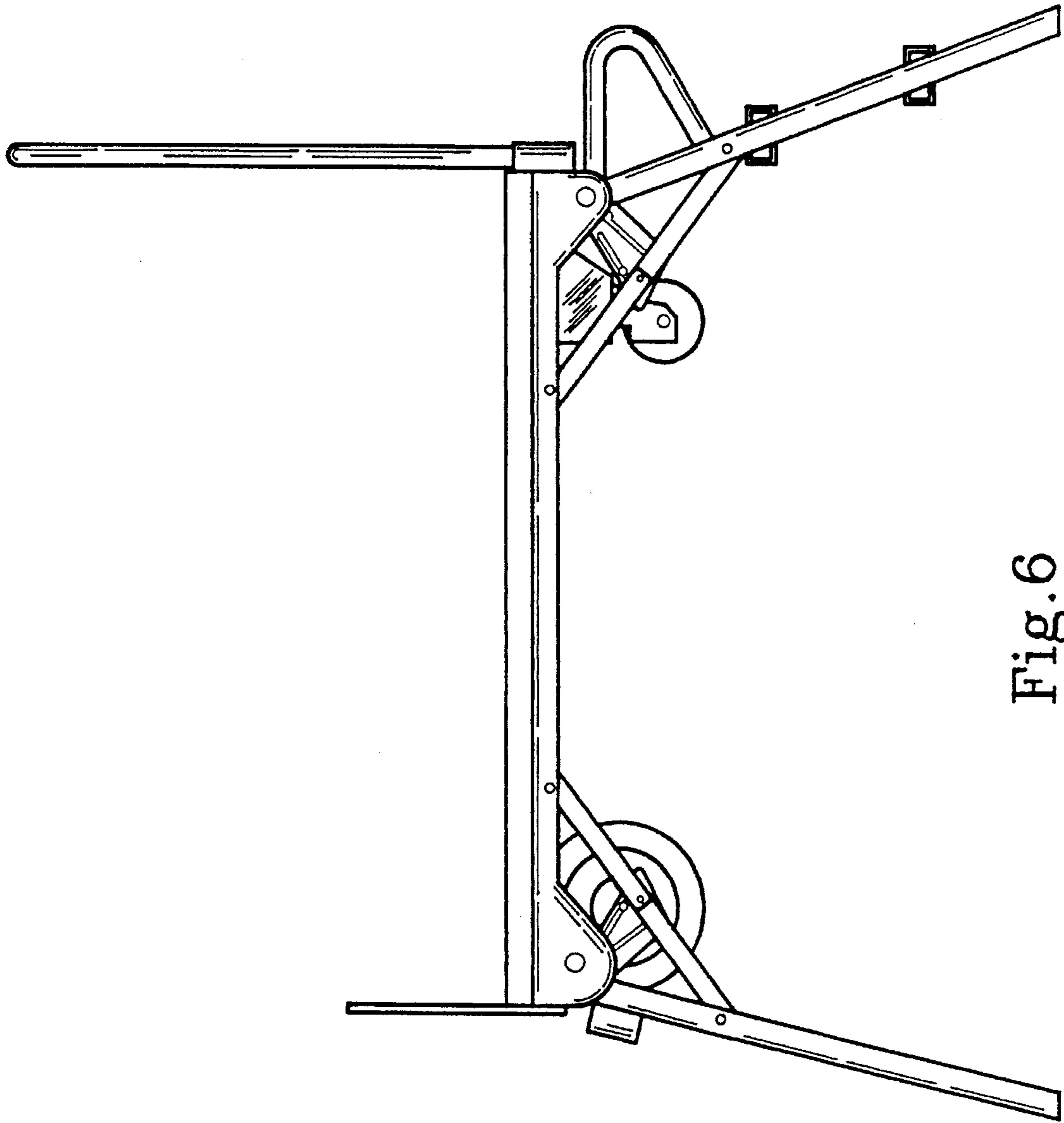


Fig. 6

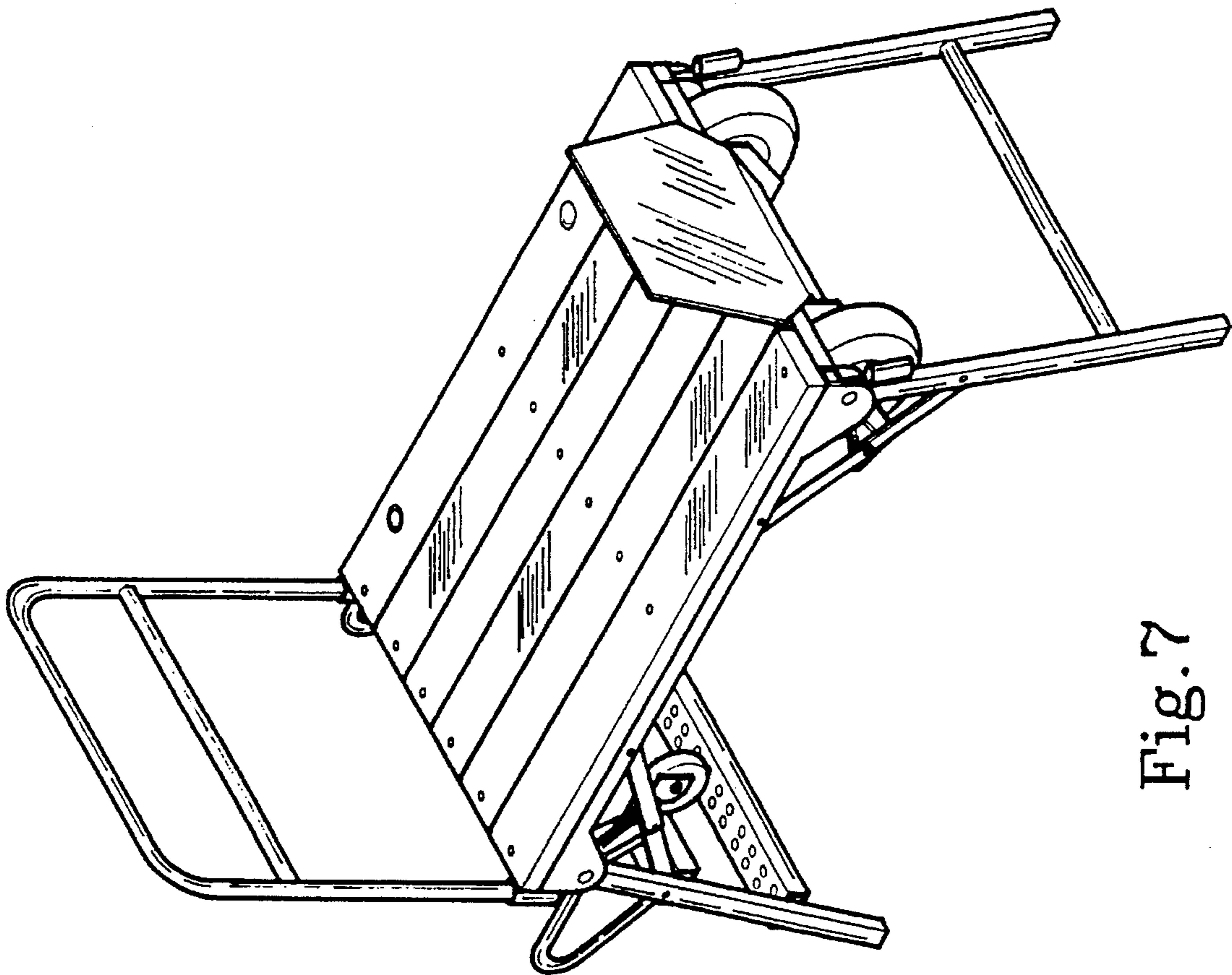


Fig. 7

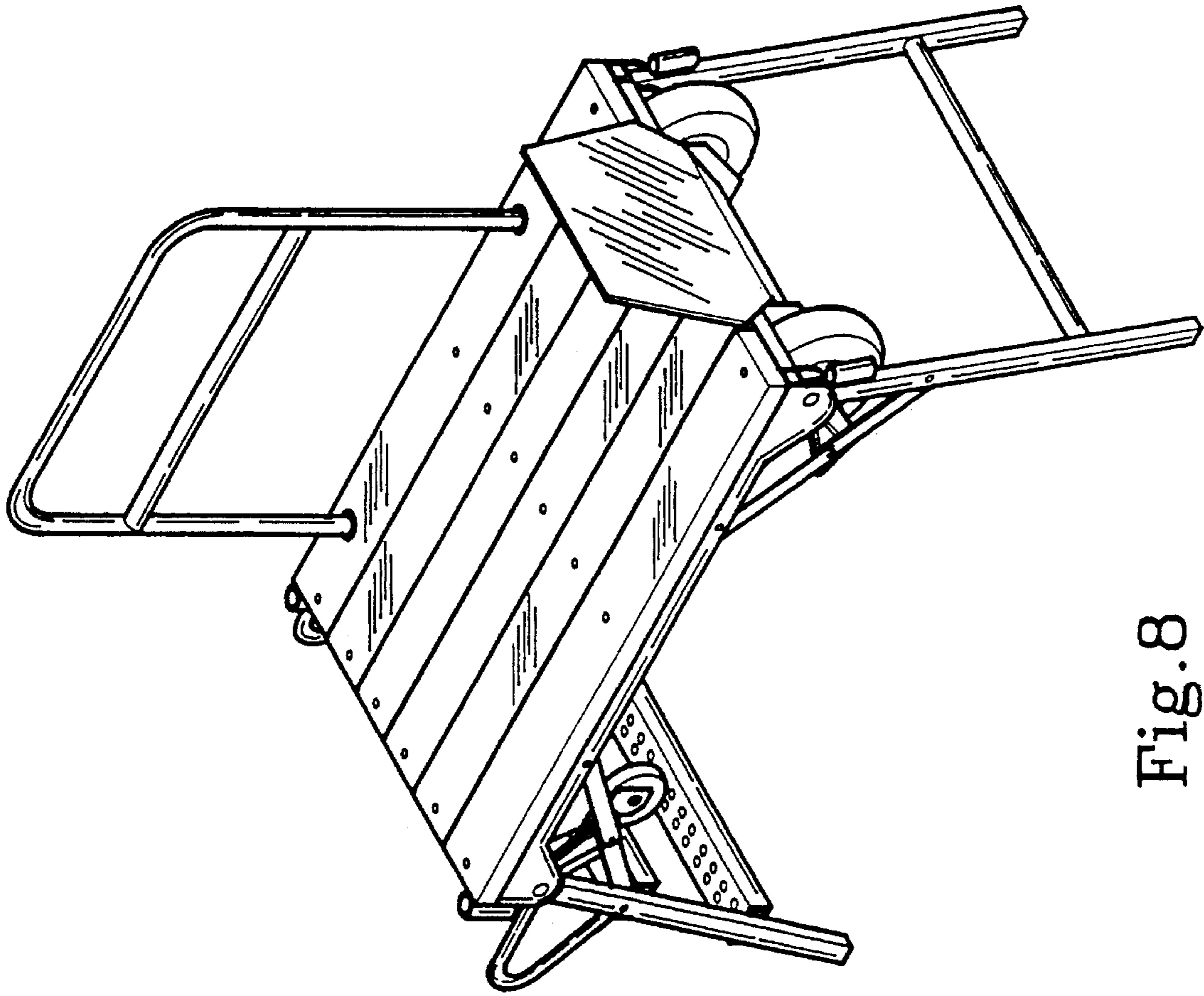


Fig. 8

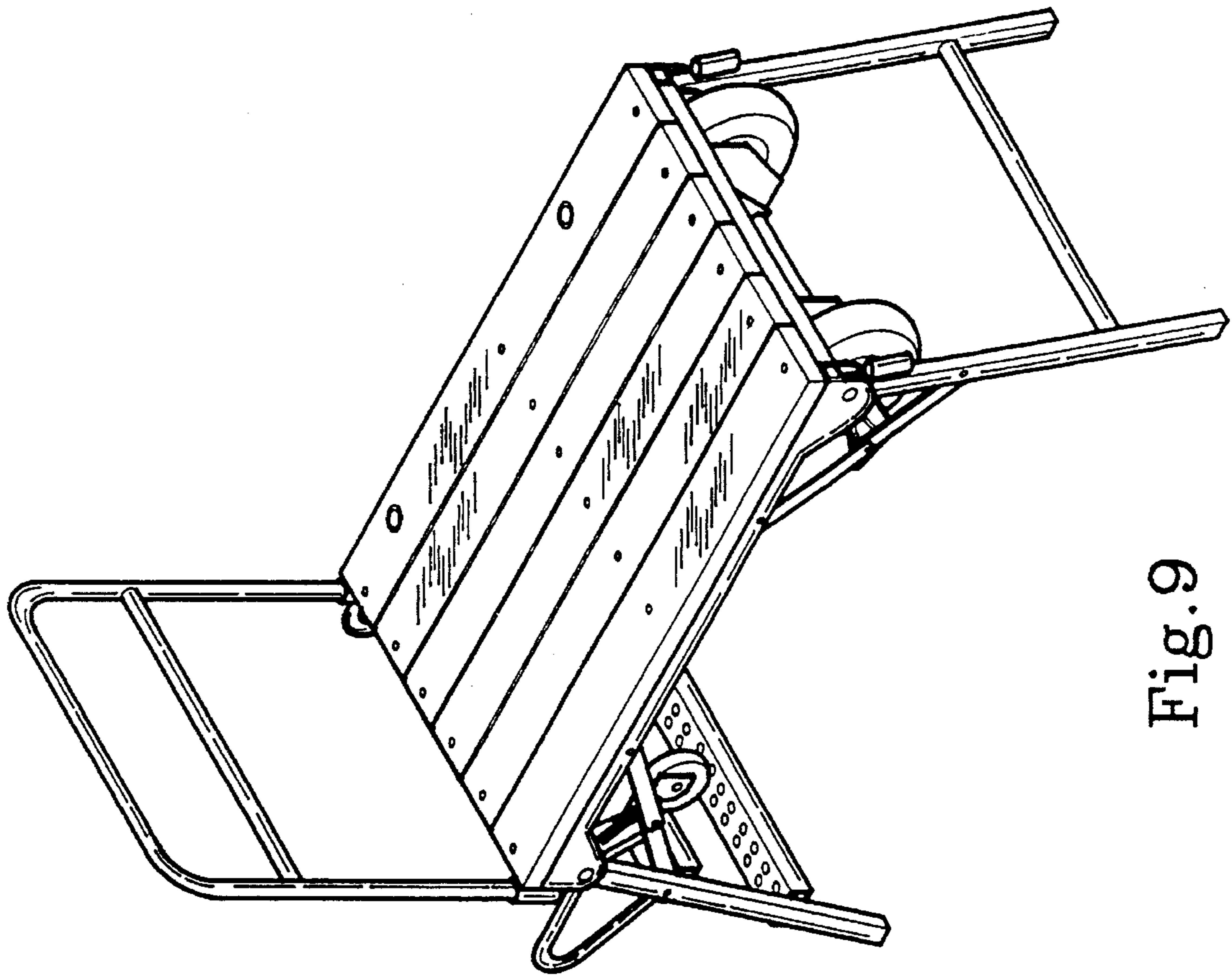


Fig. 9

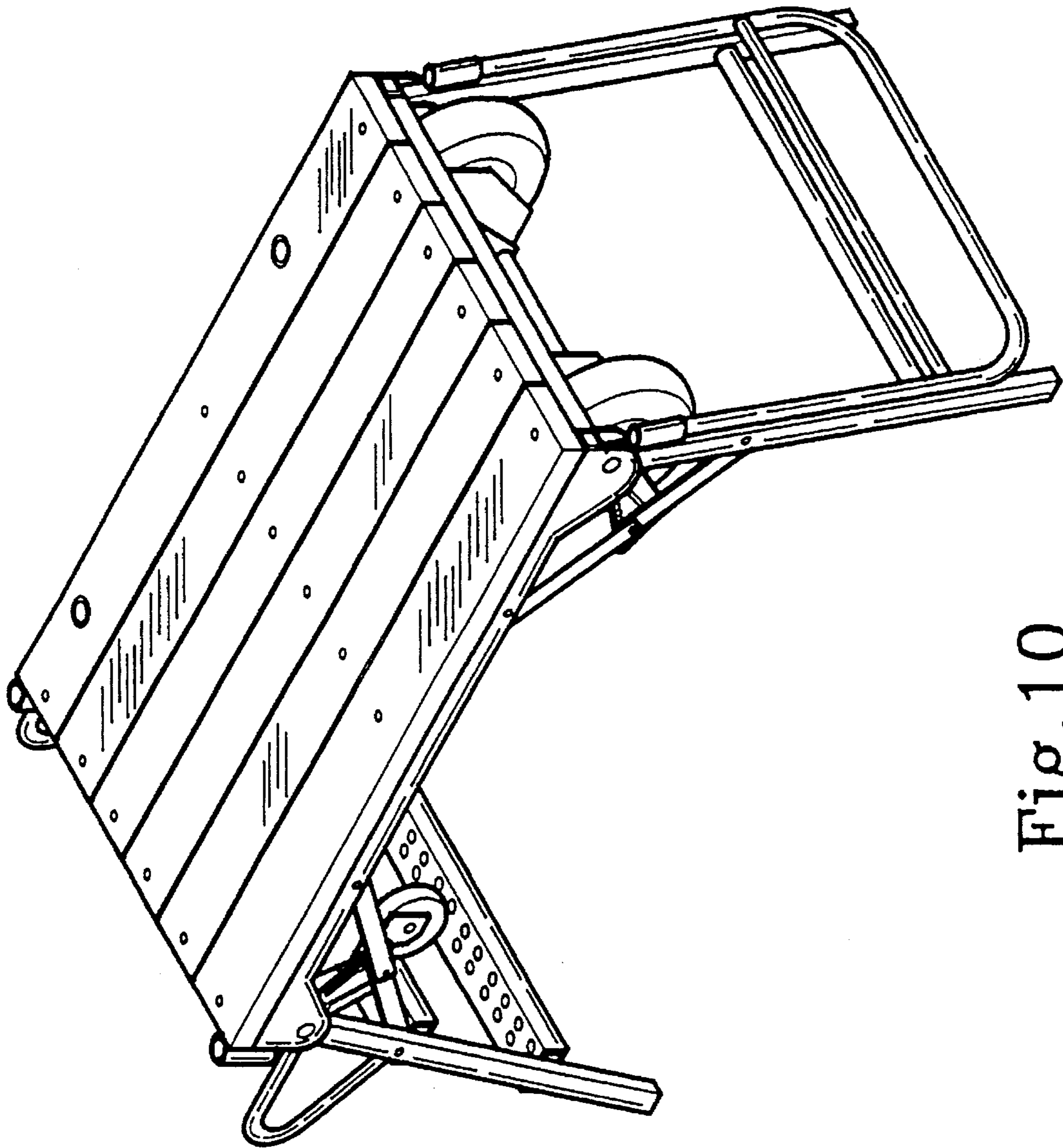


Fig. 10

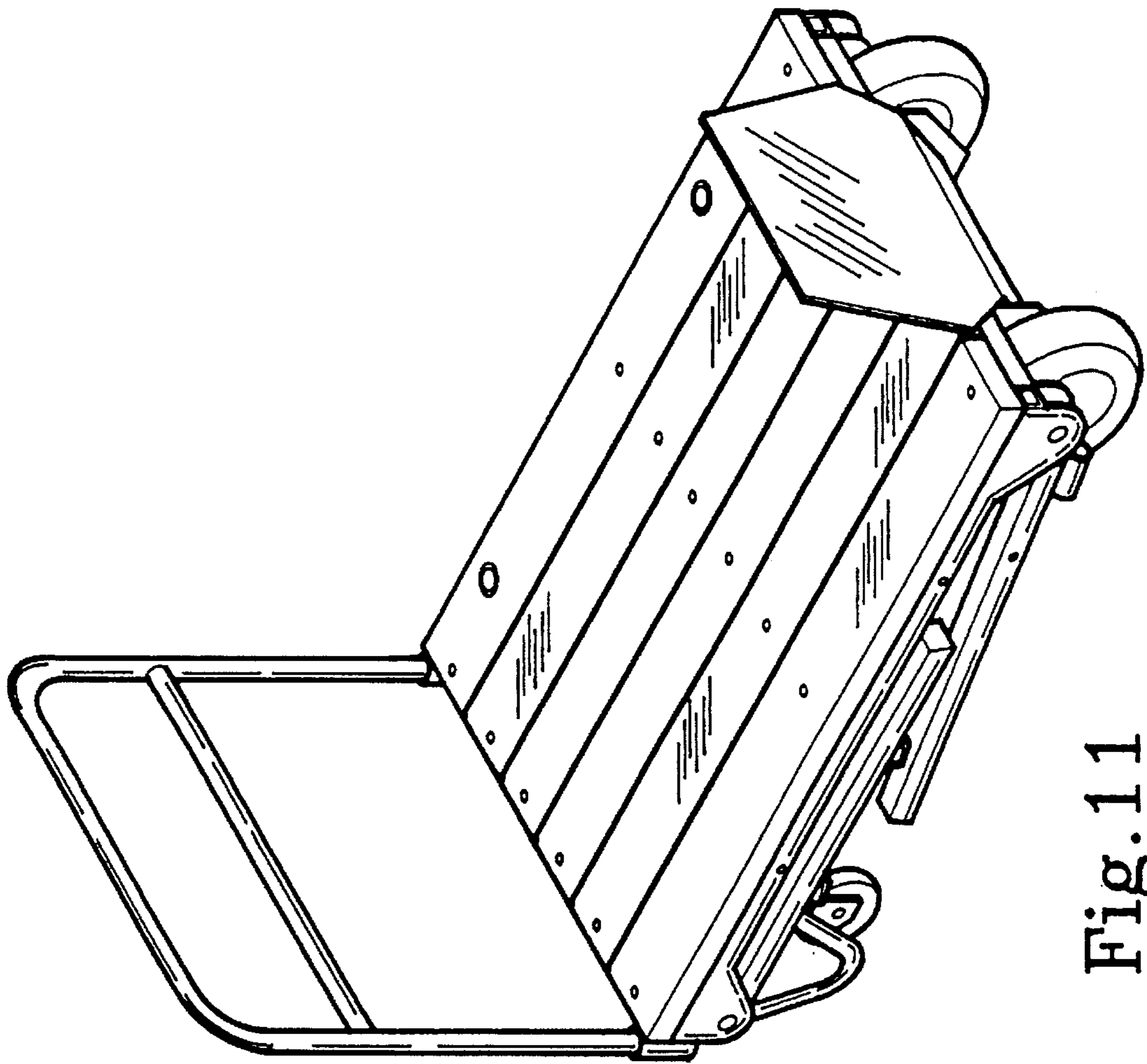


Fig. 11

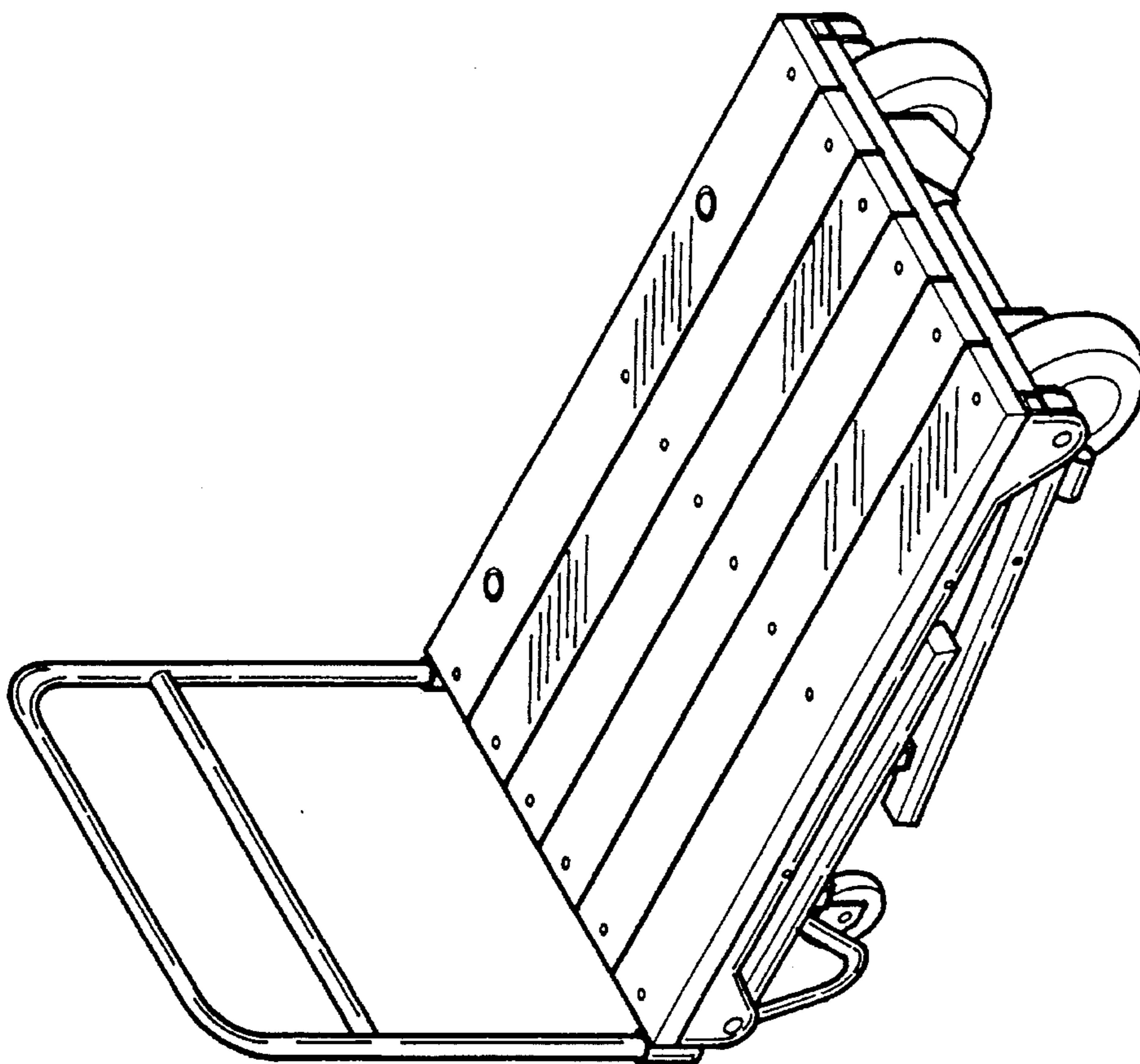


Fig.12

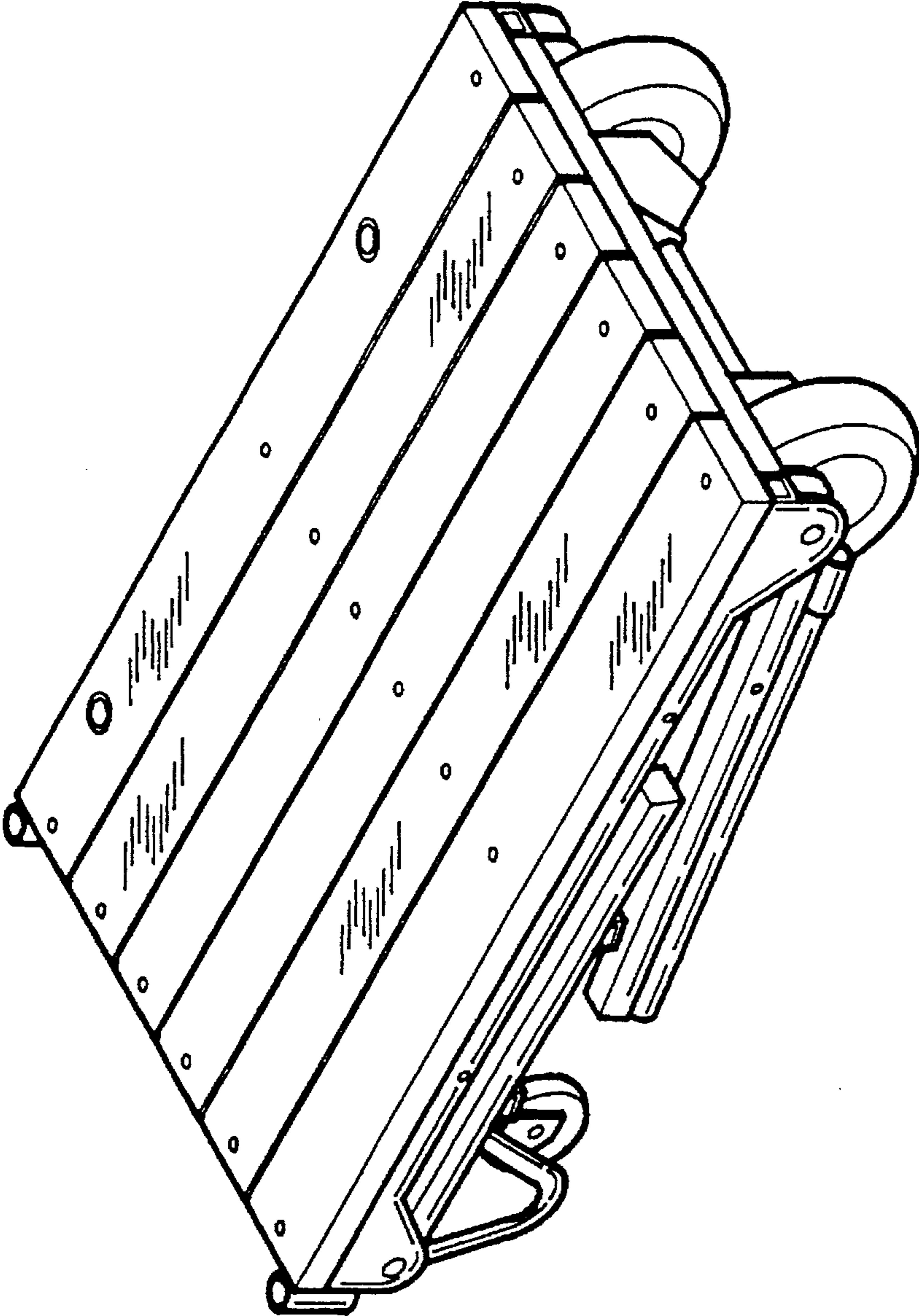


Fig. 13

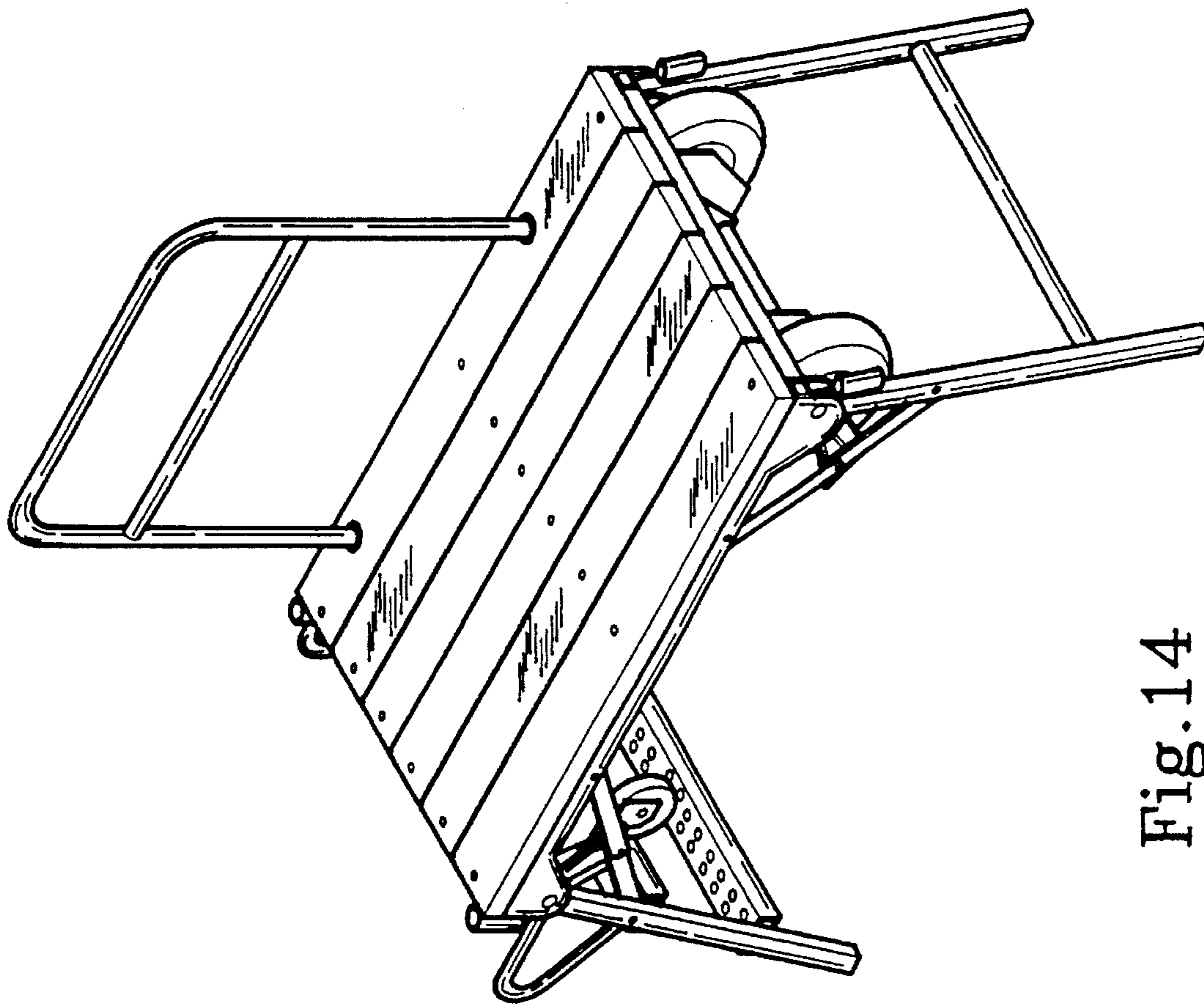


Fig. 14

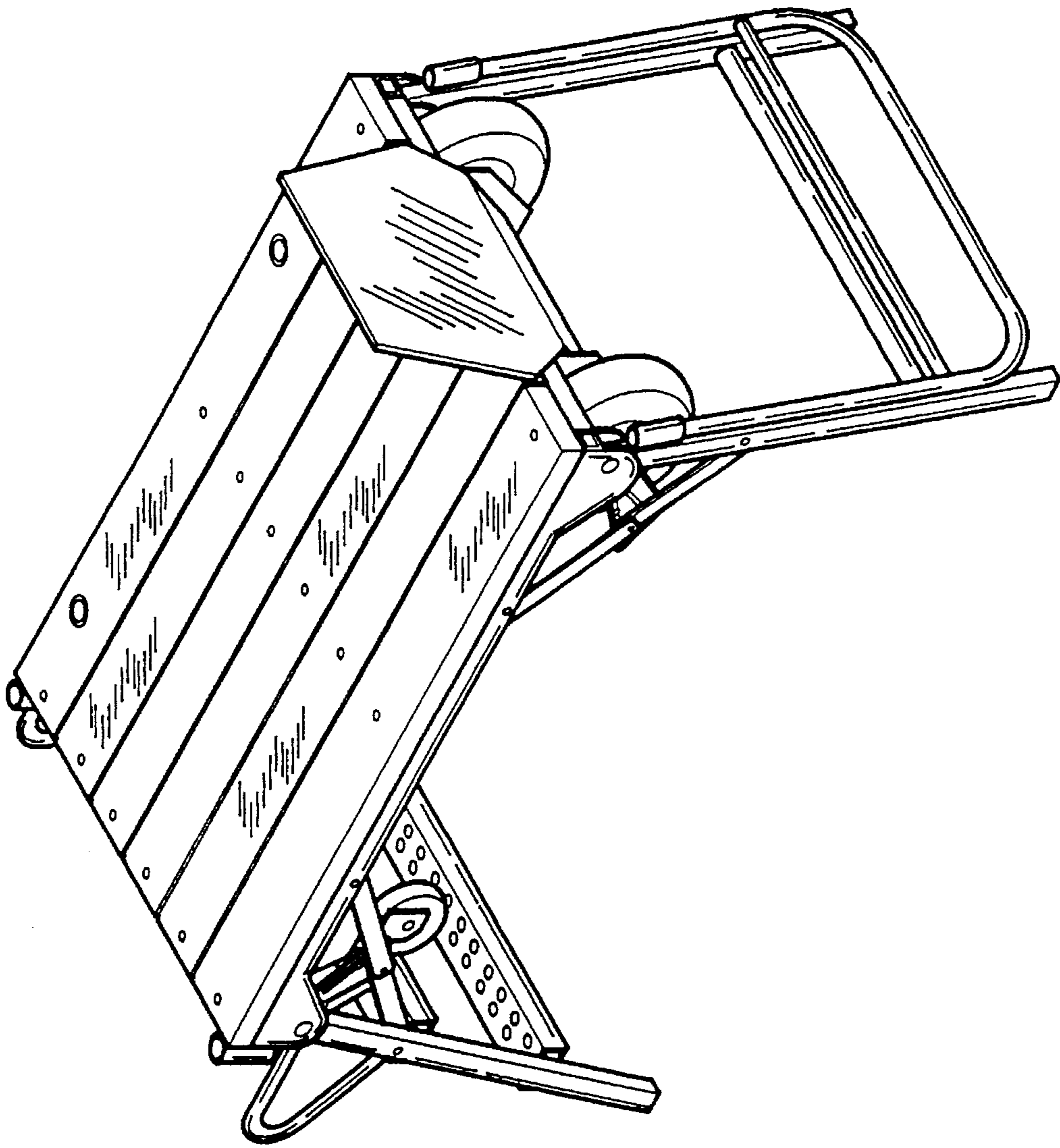


Fig. 15

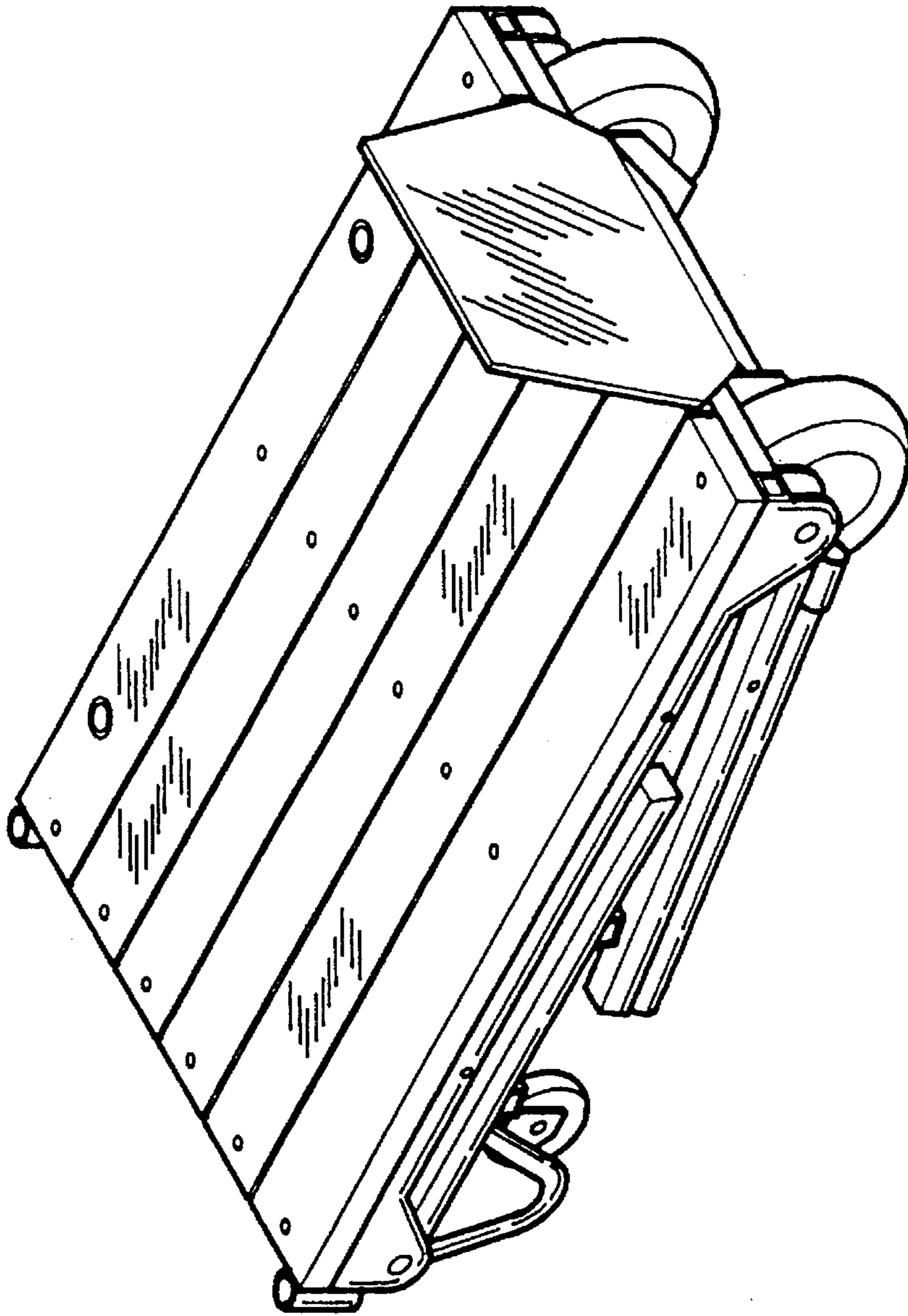


Fig. 16