



US00D373866S

# United States Patent [19]

[11] Patent Number: **Des. 373,866**

Belden, Jr. et al.

[45] Date of Patent: **\*\*Sep. 17, 1996**

[54] **DRAINER FOR DISHES**

986,265	3/1911	Boss .	
1,252,220	1/1918	Benson .	
3,027,041	3/1962	Stansbury et al. ....	220/21
5,385,261	1/1995	Lippisch .....	220/572

[75] Inventors: **Dennis D. Belden, Jr.**, Akron; **Keith E. Brightbill**, Wooster; **Stephen P. Casteel**, Wadsworth; **Charles W. Craft**, Apple Creek; **Diana W. Juratovac**, Columbus, all of Ohio

*Primary Examiner*—A. Hugo Word  
*Assistant Examiner*—Robin V. Taylor  
*Attorney, Agent, or Firm*—Richard B. O’Planick; Lisa B. Riedesel

[73] Assignee: **Rubbermaid Incorporated**, Wooster, Ohio

### [57] CLAIM

[\*\*] Term: **14 Years**

The ornamental design for a drainer for dishes, as shown and described.

[21] Appl. No.: **32,173**

### DESCRIPTION

[22] Filed: **Dec. 14, 1994**

[52] U.S. Cl. .... **D32/55**

[58] Field of Search ..... D32/3, 55-57;  
D3/260, 304, 306; D6/462; 4/637-8, 656;  
211/13, 41; 248/128, 346; 220/571-2, 487-8

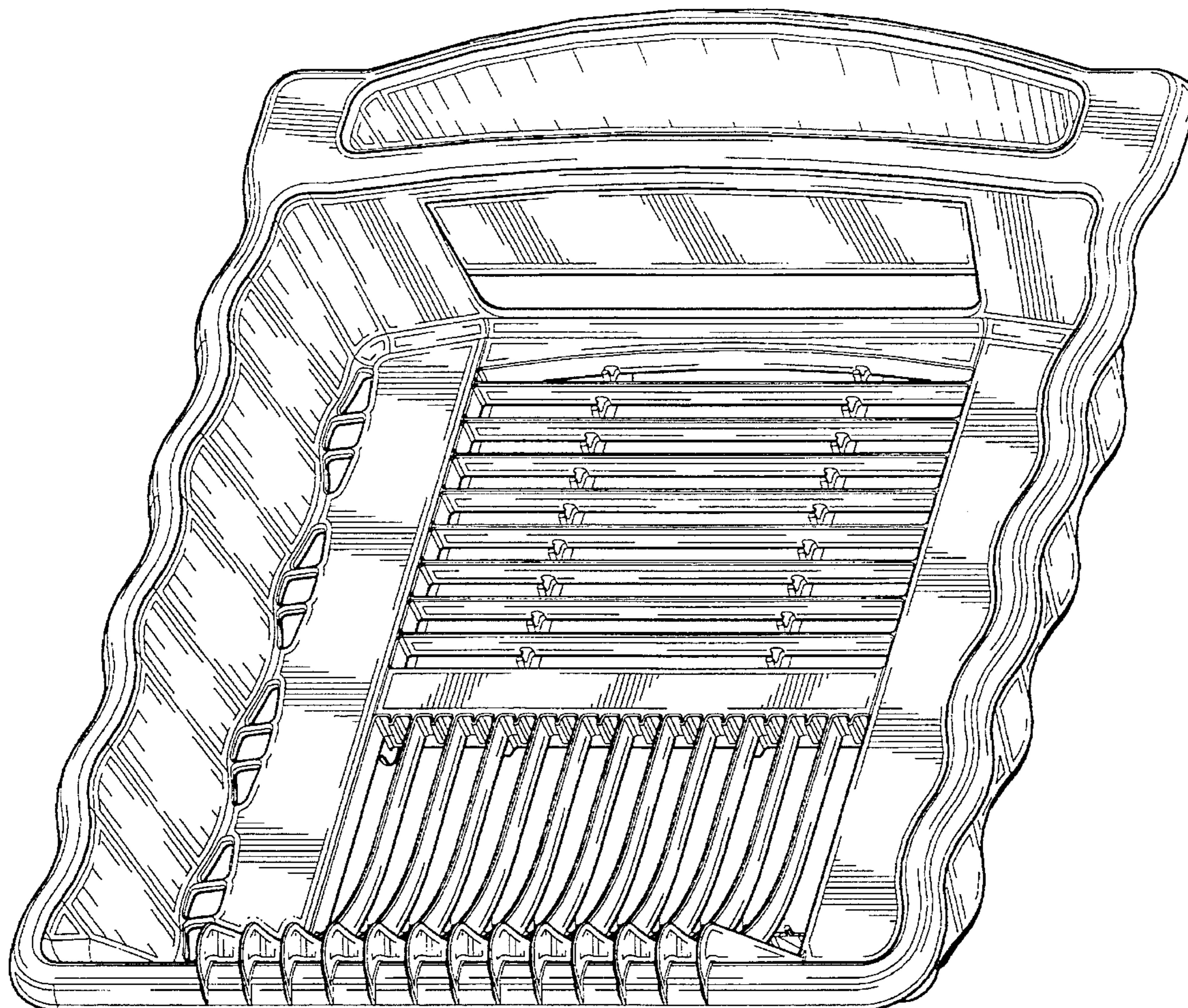
FIG. 1 is a top right front perspective view of a drainer for dishes showing our new design;  
FIG. 2 is a top plan view thereof;  
FIG. 3 is a front elevational view thereof;  
FIG. 4 is a rear elevational view thereof;  
FIG. 5 is a right side elevational view thereof; the left side elevational view being a mirror image; and,  
FIG. 6 is a bottom plan view thereof.

### [56] References Cited

#### U.S. PATENT DOCUMENTS

D. 221,678 8/1971 Gottsegen ..... D32/55

**1 Claim, 5 Drawing Sheets**





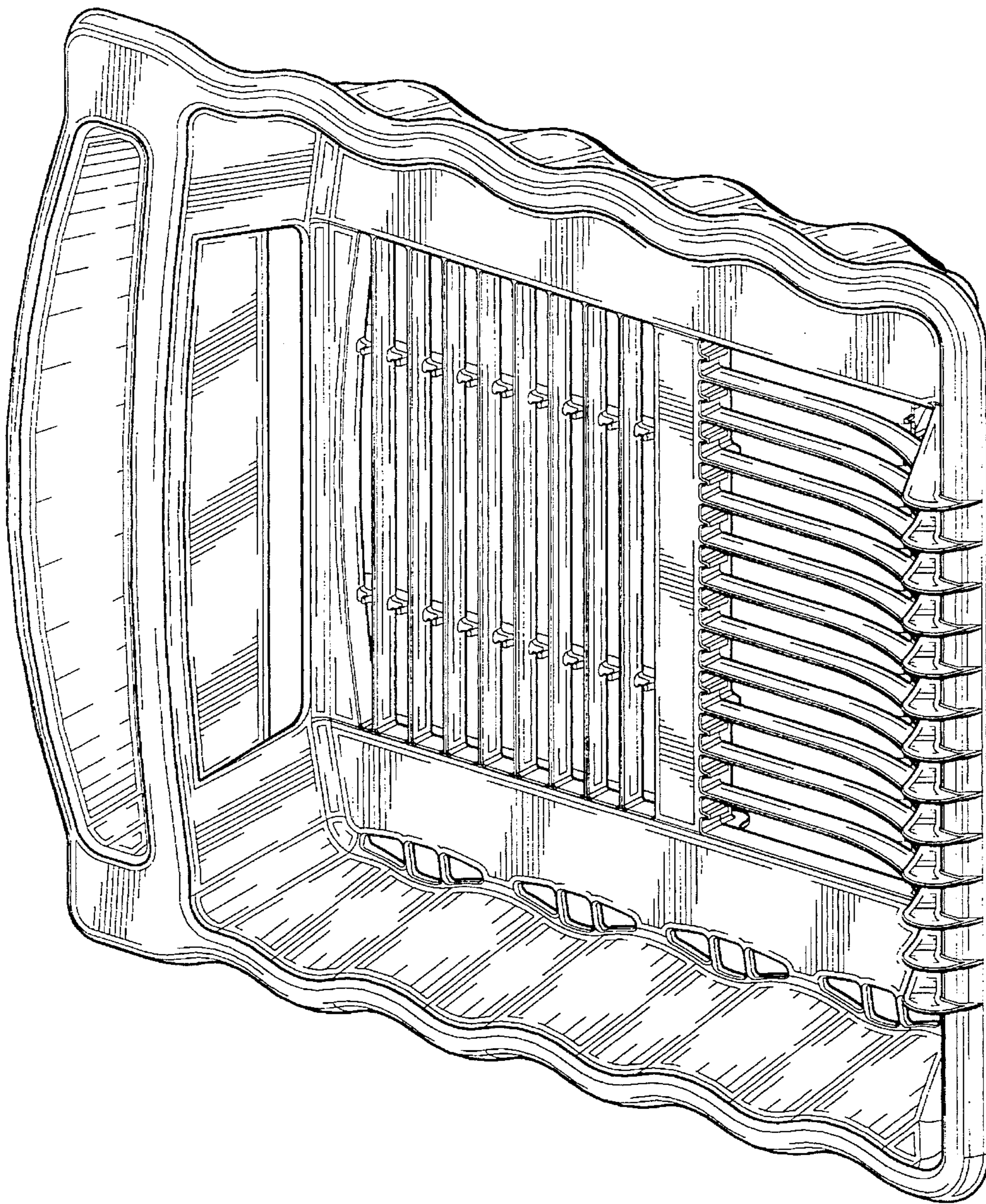


FIG. 1

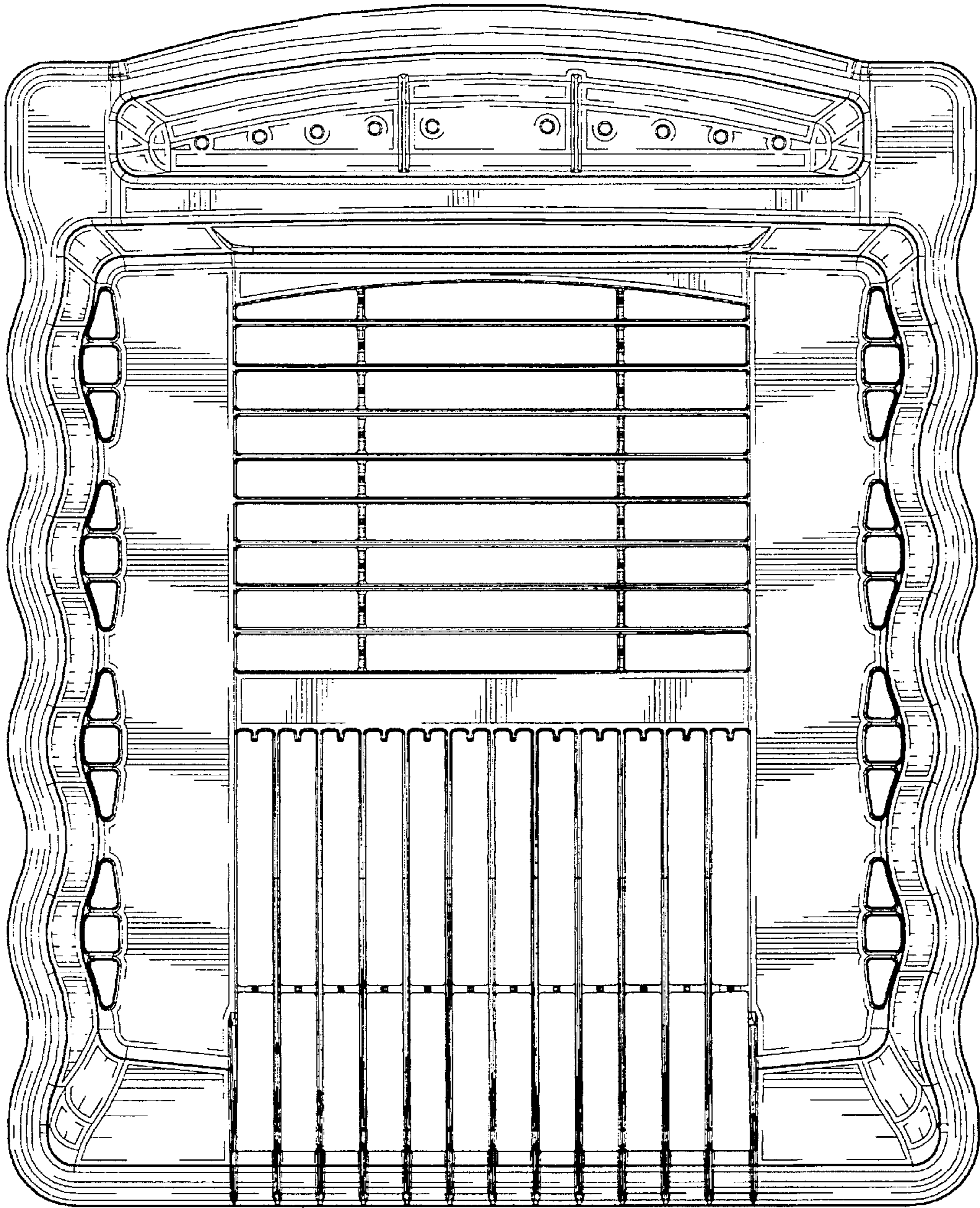


FIG. 2



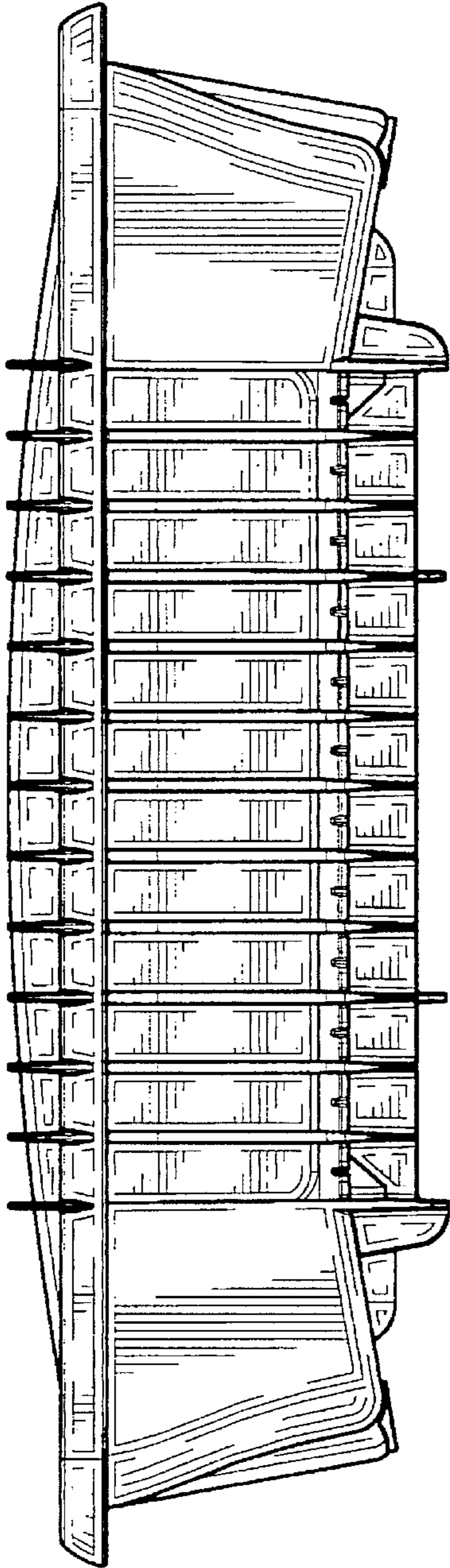


FIG. 3

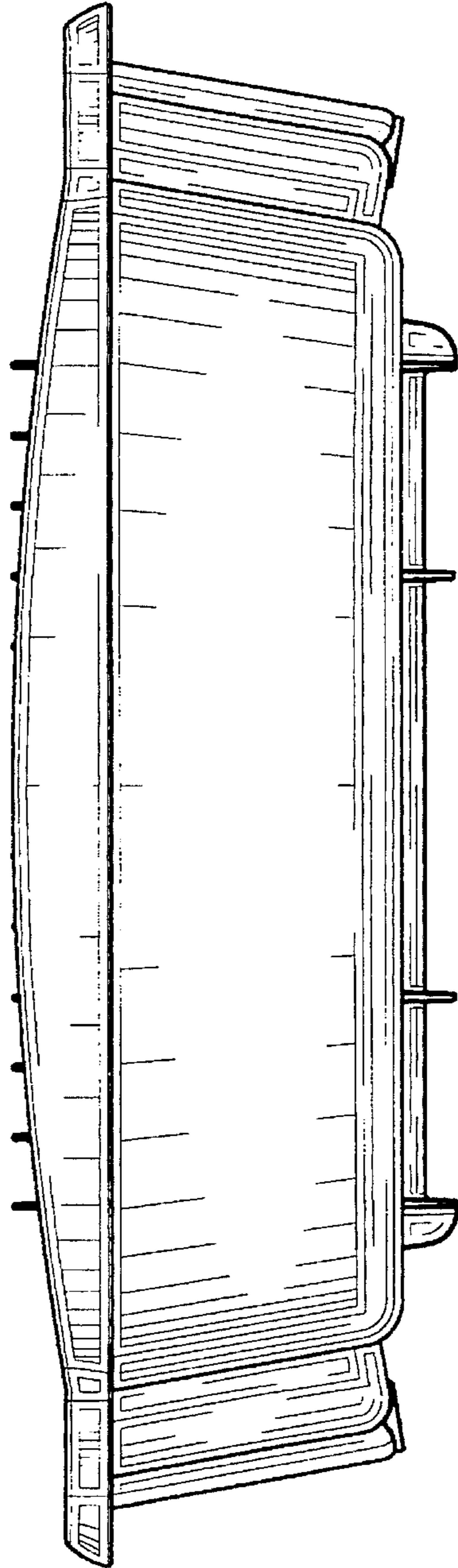


FIG. 4

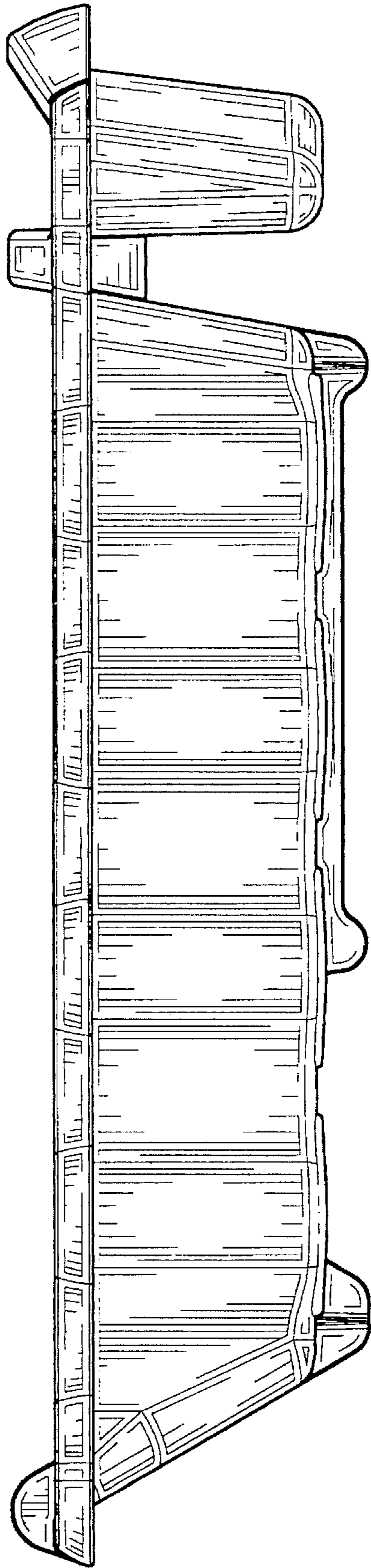


FIG. 5

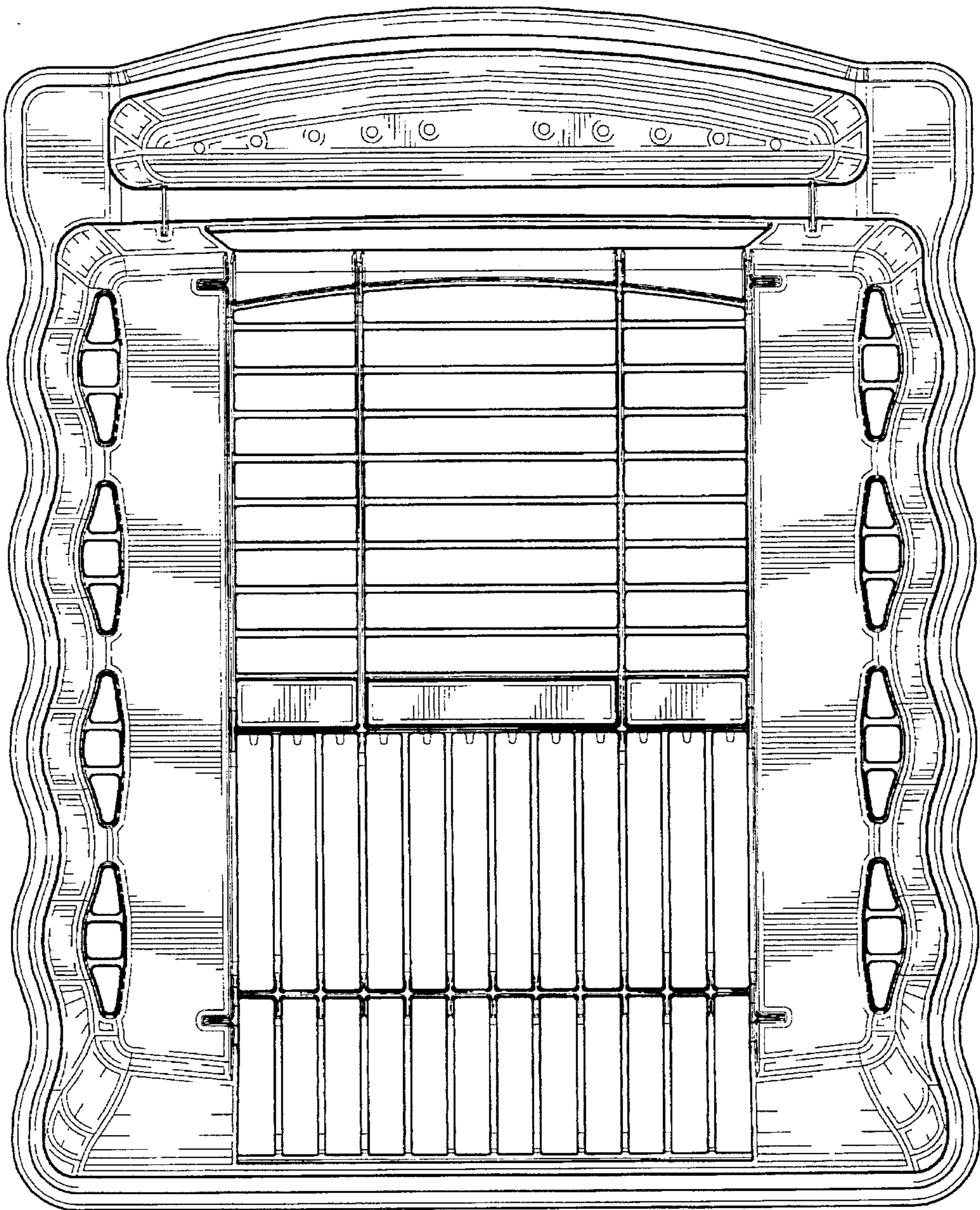


FIG. 6

UNITED STATES PATENT AND TRADEMARK OFFICE  
**CERTIFICATE OF CORRECTION**

PATENT NO. : Des. 373,866  
DATED : September 17, 1996  
INVENTOR(S) : Dennis D. Belden, Jr., et al.

Page 1 of 2

It is certified that error appears in the above-identified patent and that said Letters Patent is hereby corrected as shown below: On the title page:Item [56]

U.S. PATENTS DOCUMENTS

D164,197	08/07/51	Planeta	D44-29
D174,073	02/22/55	Bliss	D44-29
D212,301	9/24/68	Taylor	D44-29
D214,524	06/24/69	Taylor	D44-29
D215,170	09/09/69	Bachand	D44-29
D259,537	06/16/81	Taylor	D7/188
D265,262	06/29/82	Taylor	D32/55
D268,878	05/03/83	Taylor	D32/55
D271,340	11/08/83	Taylor	D32/55
D345,834	04/05/94	Craft, et.al.	D32/55
D353,921	12/27/94	Lippisch	D32/55
D353,922	12/27/94	Drake	D32/55
D353,923	12/27/94	Drake	D32/55
1,389,908	09/06/21	Dunn	
1,682,654	08/28/28	Andrews	
2,697,525	12/21/54	Breneman	211-41
2,864,509	12/16/58	Watral	211-41
3,442,395	05/06/69	Taylor	211-41
4,221,299	09/09/80	Taylor	211/41
4,372,448	02/08/83	Drach	211/41
4,726,475	02/23/88	Ferenzi	211/126
5,158,184	10/27/92	Craft, et.al.	211/41



UNITED STATES PATENT AND TRADEMARK OFFICE  
**CERTIFICATE OF CORRECTION**

PATENT NO. : Des 373,866  
DATED : September 17, 1996  
INVENTOR(S) : Dennis D. Belden, Jr., et al.

Page 2 of 2

It is certified that error appears in the above-identified patent and that said Letters Patent is hereby corrected as shown below:

OTHER PUBLICATIONS

Sell Sheet, Dish drainers; Ingrid, 1419 Lake Cook Road, Suite 200, Deerfield, Illinois 60015. Published at least as early as August 12, 1990.

Catalog page, Dish drainers; Tucker Houswares, 25 Tucker Drive, Leominster, Massachusetts 01469. Publication date 1989.

Pages 16 and 17, Dish drainers; Tucker Housewares, 25 Tucker Drive, Leominster, Massachusetts 01469. Published at least as early as December, 1991.

Catalog page, Dish drainers; Nova Housewares, C/-Kader Plastics Pty. Ltd., Hume Highway, PO Box 42, Craigieburn, Victoria 3064 Australia. Published at least as early as 1991.

Sell sheet, Dish drainers; Sterlite Corporation, 198 Main Street, P.O. Box 524, Main Street, Townsend, Massachusetts. Publication date 1991.

Catalog page, Dish drainers; Sterilite Corporation, 198 Main Street, P.O. Box 524, Main Street Townsend, Massachusetts. Publication date 1991.

Page 28, Dish drainers; Dupol-rubbermaid GmbH; An der Trift, D-6072 Dreieich, Germany. Publication date 1989.

Page 6, Dish drainers; Rubbermaid Incorporated, 1147 Akron Road, Wooster, Ohio 44691. Publication date 1986.

Page 5, Dish drainers, Rubbermaid Incorporated, 1147 Akron Road, Wooster, Ohio 44691. Publication date 1986.

Signed and Sealed this  
First Day of April, 1997



BRUCE LEHMAN

Attest:

Attesting Officer

Commissioner of Patents and Trademarks