



US00D373863S

United States Patent [19]
Shepherd

[11] **Patent Number: Des. 373,863**

[45] **Date of Patent: **Sep. 17, 1996**

[54] **SNOW AND ICE SCRAPER**

[76] Inventor: **Charles G. Shepherd**, 1008 Westdale Road, Oakville, Ontario, Canada, L6L 5A2

[**] Term: **14 Years**

[21] Appl. No.: **43,205**

[22] Filed: **Aug. 29, 1995**

[52] U.S. Cl. **D32/42; D32/45; D9/338**

[58] **Field of Search** D32/45, 49, 40, D32/43; D28/91.1; 15/236.01, 236.02, 245.1, 105, 117, 118, 111, 114; 401/16-18, 23-27, 37-38, 118, 137-140, 143, 146, 149, 188; D9/435, 440, 448, 454, 300, 337, 338, 339, 430, 436

[56] **References Cited**

U.S. PATENT DOCUMENTS

D. 241,498	9/1976	Smith	D32/49
D. 316,318	4/1991	Cheang	D32/42
D. 318,158	7/1991	Ediger et al.	D32/42
2,436,454	2/1948	Sensenbach et al.	401/139
2,707,292	5/1955	Lustbader	401/139

2,770,826	11/1956	Curfman	401/139
3,603,692	9/1971	Ball et al.	401/139
4,013,369	3/1977	Turek	401/139
4,275,476	6/1981	Hopkins et al.	15/236.02
4,776,716	10/1988	Huang	401/139
4,778,301	10/1988	Sicotte	401/139
4,955,747	9/1990	Tarver	401/137 X

Primary Examiner—A. Hugo Word
Assistant Examiner—Cynthia E. Ramirez
Attorney, Agent, or Firm—Mark B. Eisen

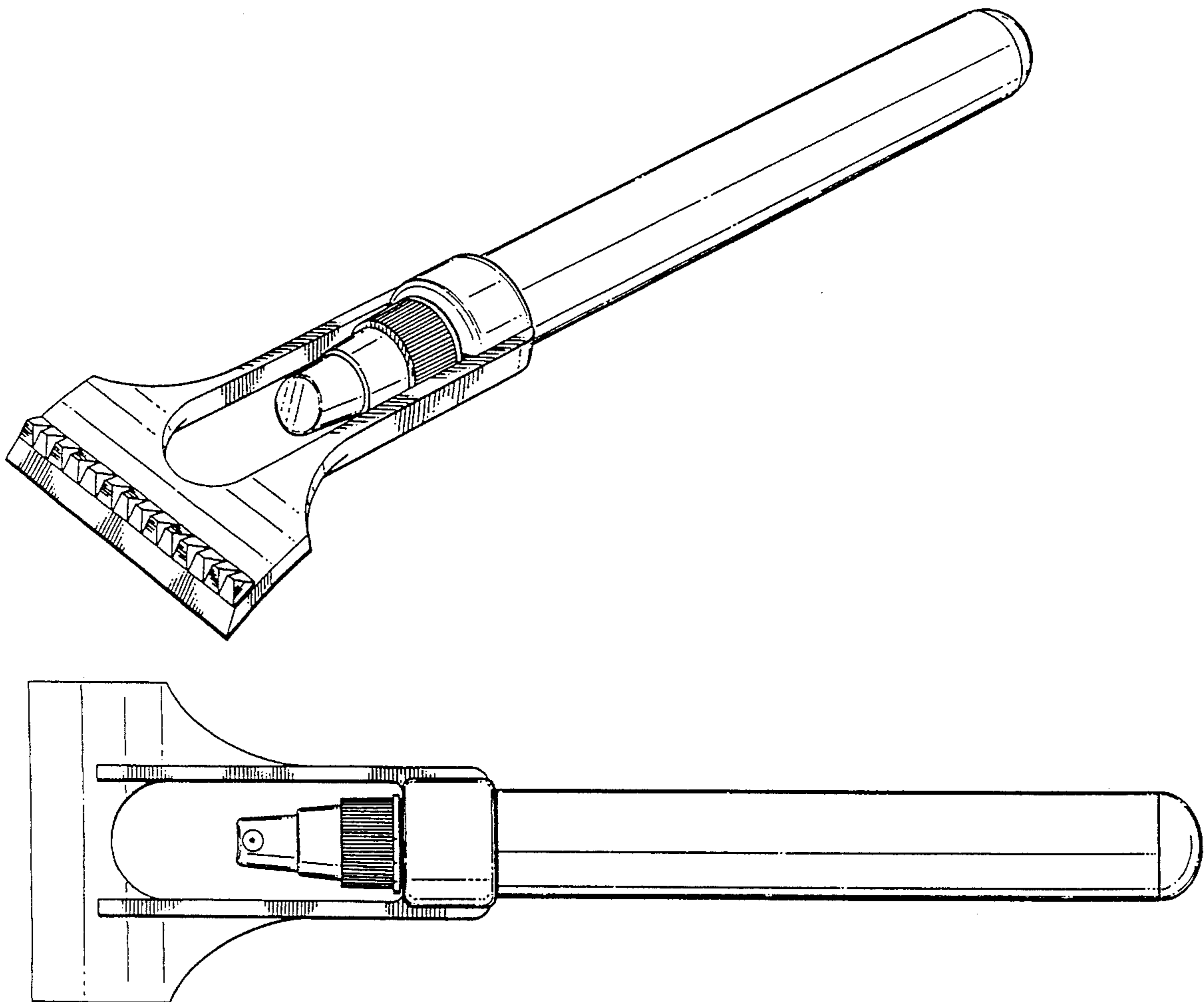
[57] **CLAIM**

The ornamental design for a snow and ice scraper, as shown and described.

DESCRIPTION

FIG. 1 is a perspective view of the snow and ice scraper embodying the design;
FIG. 2 is a front elevation;
FIG. 3 is a rear elevation;
FIG. 4 is a side elevation, the other side being a mirror image;
FIG. 5 is a top plan view; and,
FIG. 6 is a bottom plan view.

1 Claim, 3 Drawing Sheets



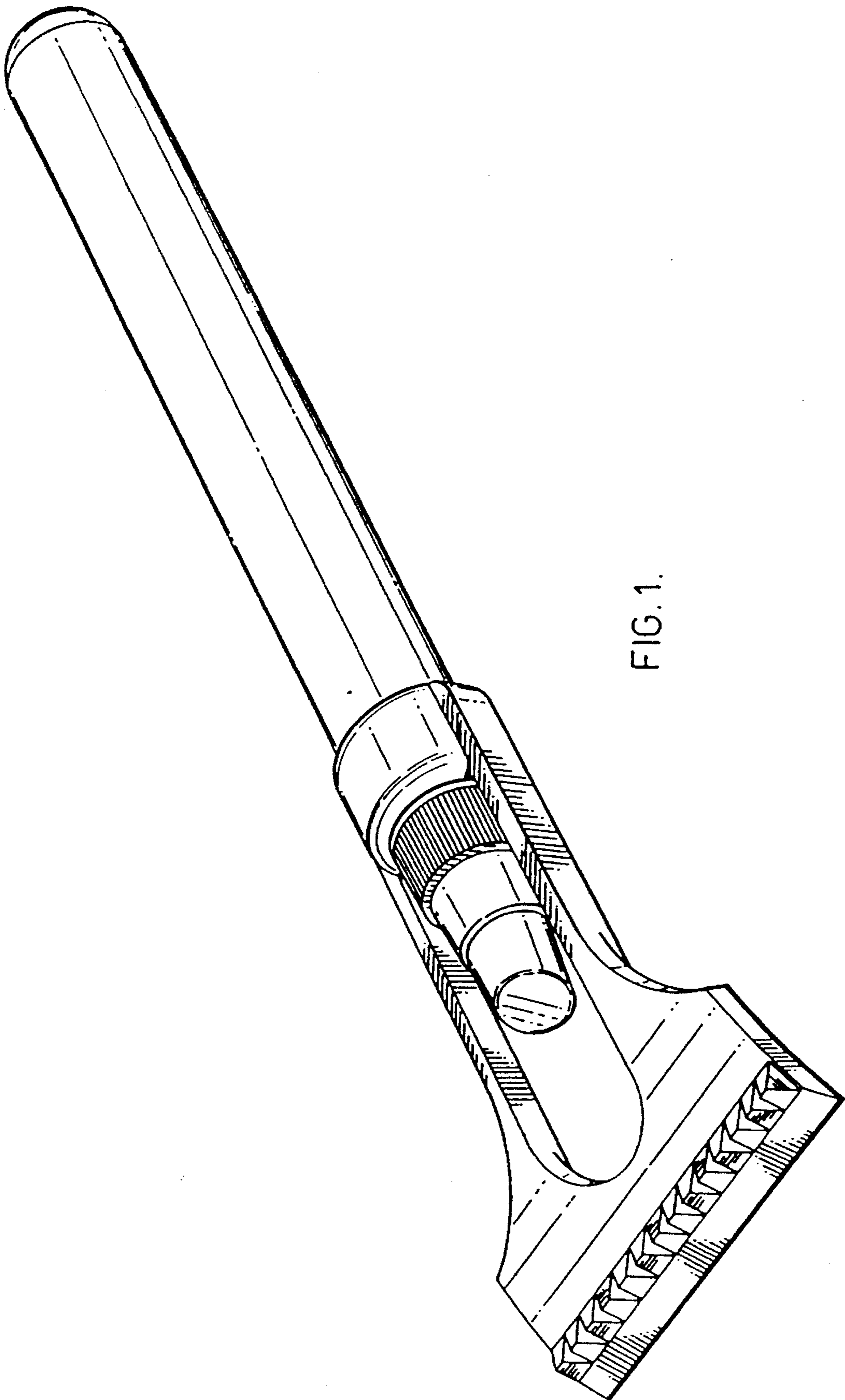


FIG. 1.

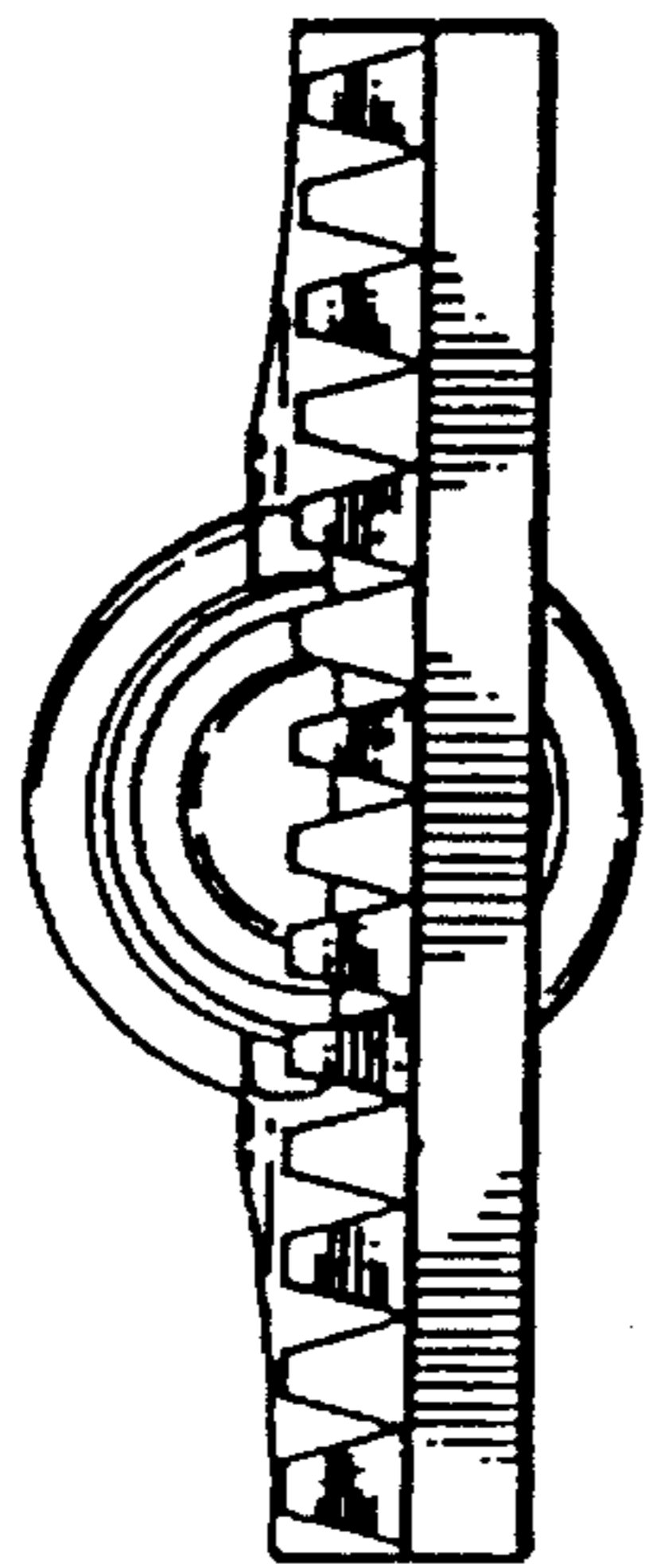


FIG. 2.

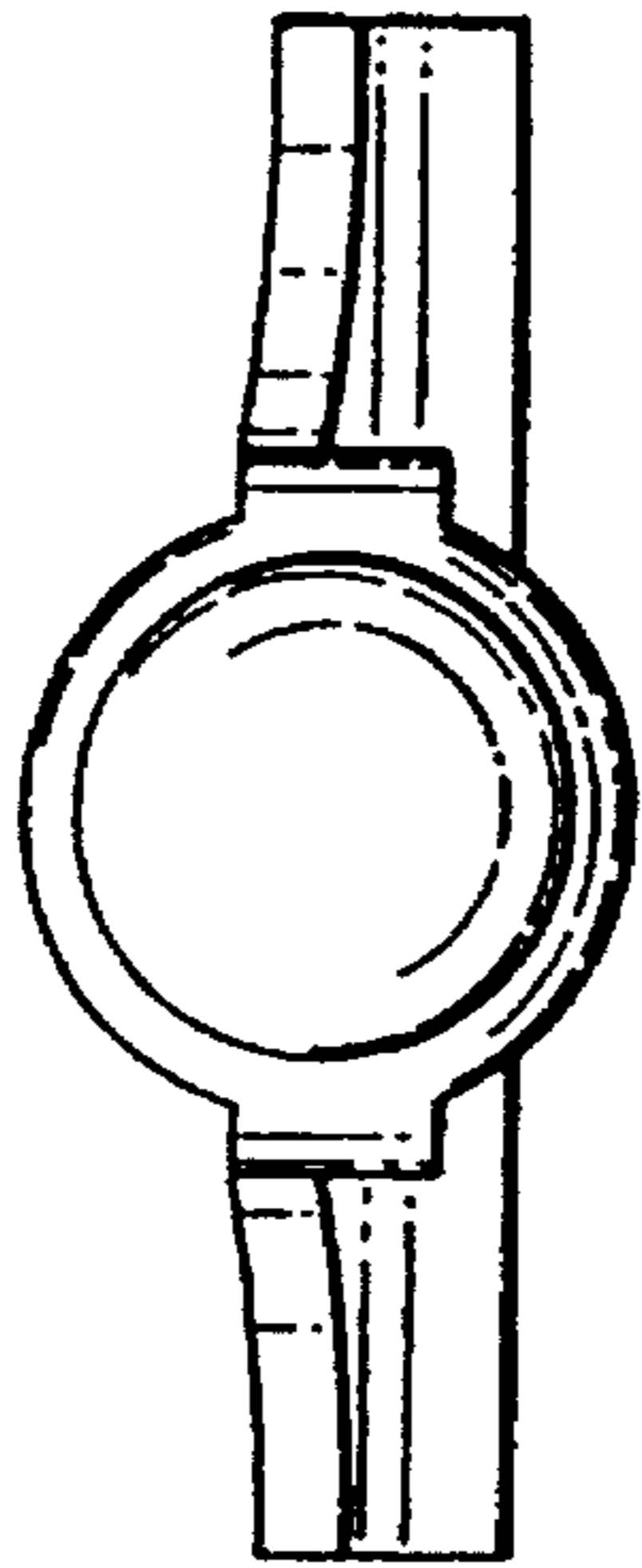


FIG. 3.

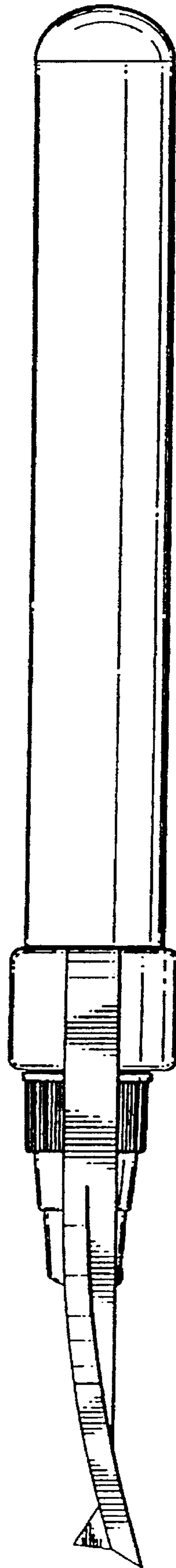


FIG. 4.

