



US00D373862S

United States Patent [19]

[11] Patent Number: **Des. 373,862**

Stephens et al.

[45] Date of Patent: ****Sep. 17, 1996**

[54] **COMBINED WET/DRY VACUUM CLEANER WITH A DETACHABLE BLOWER**

[75] Inventors: **Paul D. Stephens**, Cleveland Heights;
Craig M. Saunders, Rocky River;
Michael F. Wright, Cuyahoga Falls;
Richard C. Farone, Wickliffe; **John F. Sovis**, Twinsburg, all of Ohio

[73] Assignee: **Royal Appliance Mfg. Co.**, Cleveland, Ohio

[**] Term: **14 Years**

[21] Appl. No.: **17,193**

[22] Filed: **Jan. 6, 1994**

[52] U.S. Cl. **D32/23**

[58] Field of Search D32/21, 23, 24;
15/327.1, 327.2, 327.4, 320-321, 323, 353,
347, 328

[56] **References Cited**

U.S. PATENT DOCUMENTS

D. 178,199	7/1956	Martinec	D32/23
D. 255,357	6/1980	Brooks et al.	D32/23
D. 266,612	10/1982	Hug	D32/23
D. 280,768	9/1985	Ferraris et al.	D32/23

D. 286,336	10/1986	Berfield et al.	..
D. 305,816	1/1990	Berfield et al.	..
D. 324,930	3/1992	Pino D32/23
D. 335,555	5/1993	Reath D32/21
D. 338,294	8/1993	Kohler D32/23
4,458,377	7/1984	Frohbieter	..
5,183,982	2/1993	Smith et al.	..

Primary Examiner—Ruth McInroy
Attorney, Agent, or Firm—Fay, Sharpe, Beall, Fagan, Minnich & McKee

[57] **CLAIM**

The ornamental design for a combined wet/dry vacuum cleaner with a detachable blower, as shown.

DESCRIPTION

FIG. 1 is a front perspective view of a combined wet/dry vacuum cleaner with a detachable blower showing our new design;
FIG. 2 is a front elevational view thereof;
FIG. 3 is a left side elevational view thereof;
FIG. 4 is a right side elevational view thereof;
FIG. 5 is a rear elevational view thereof;
FIG. 6 is a top plan view thereof; and,
FIG. 7 is a bottom plan view thereof.

1 Claim, 4 Drawing Sheets

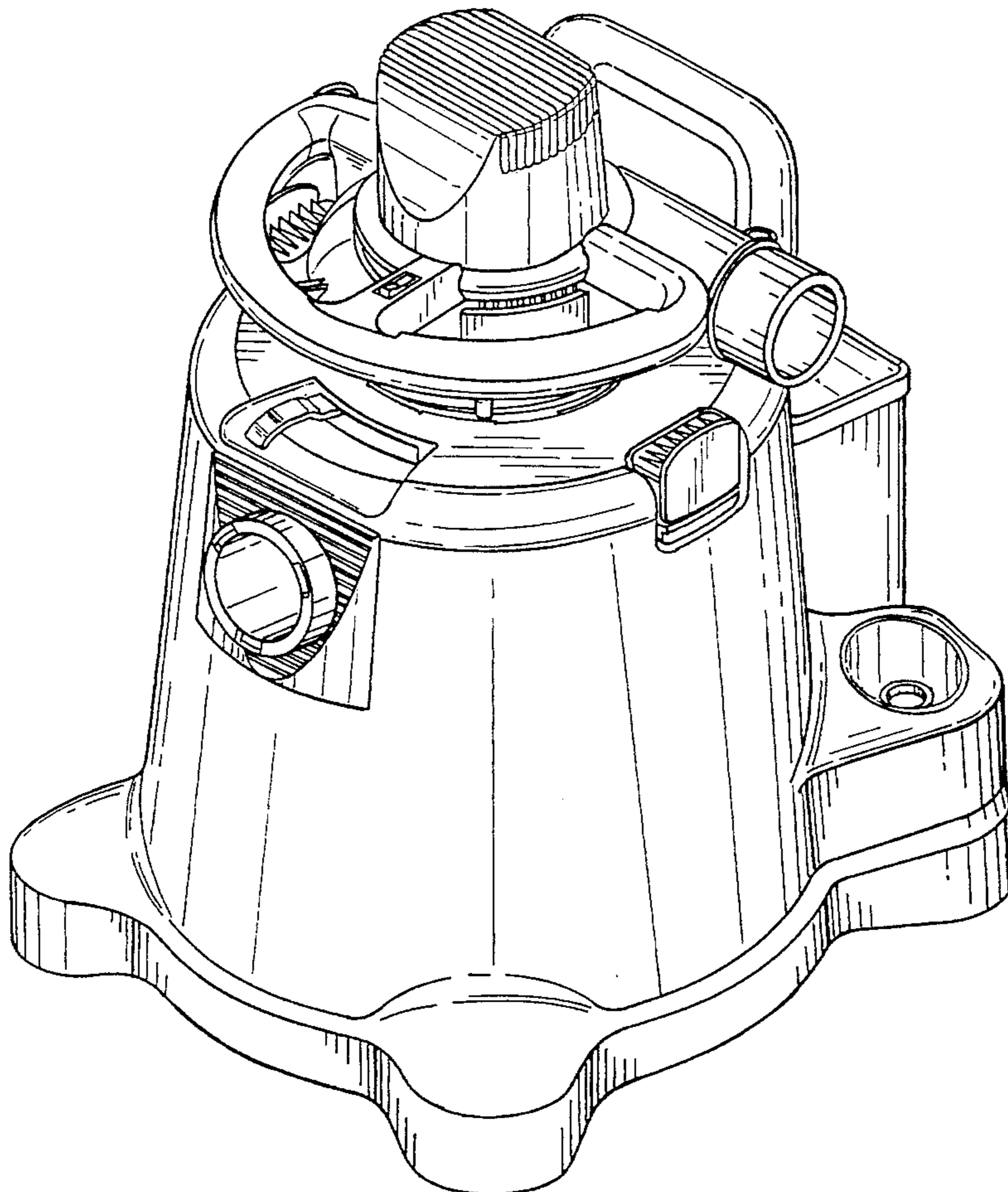
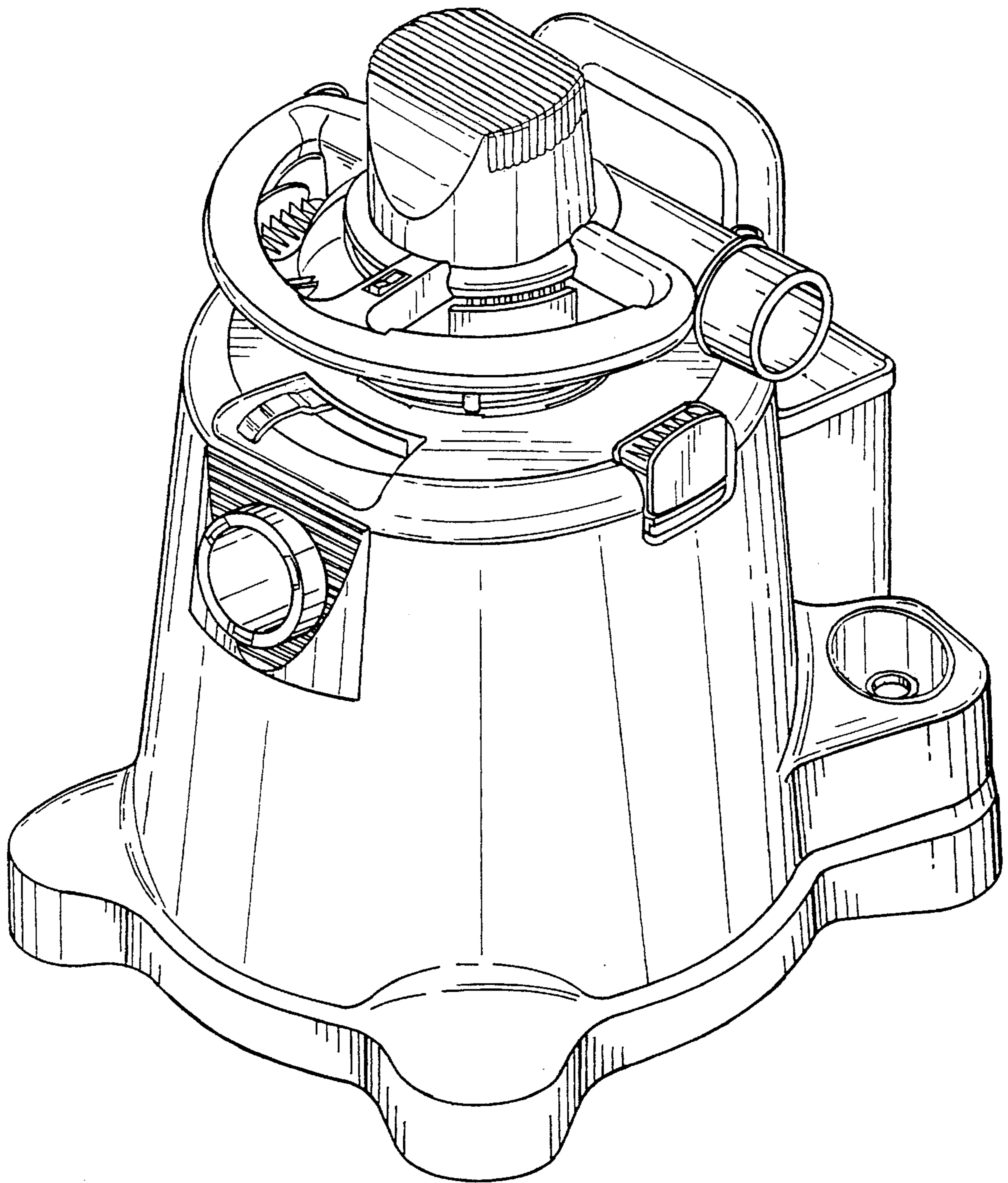


FIG. 1



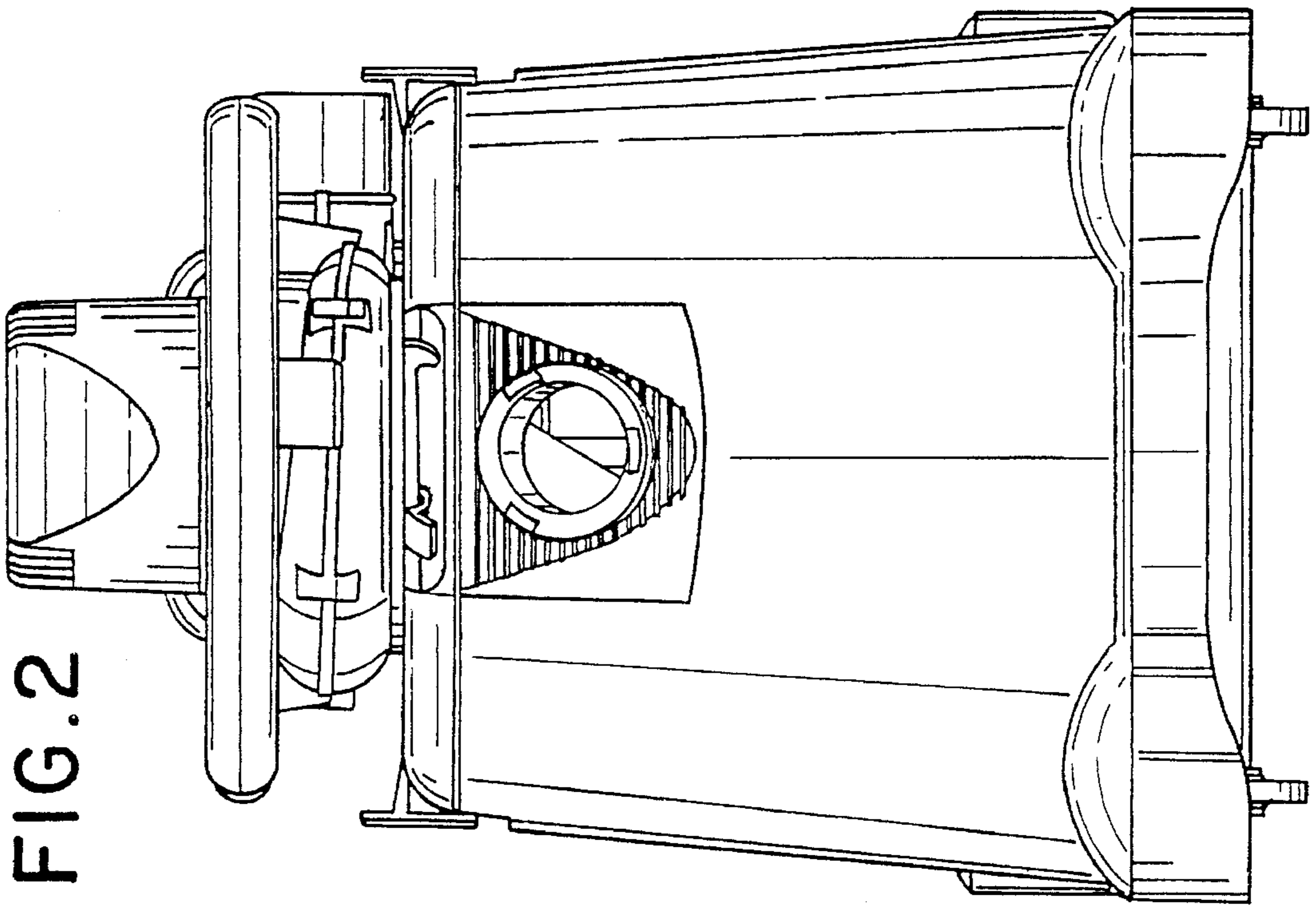


FIG. 2

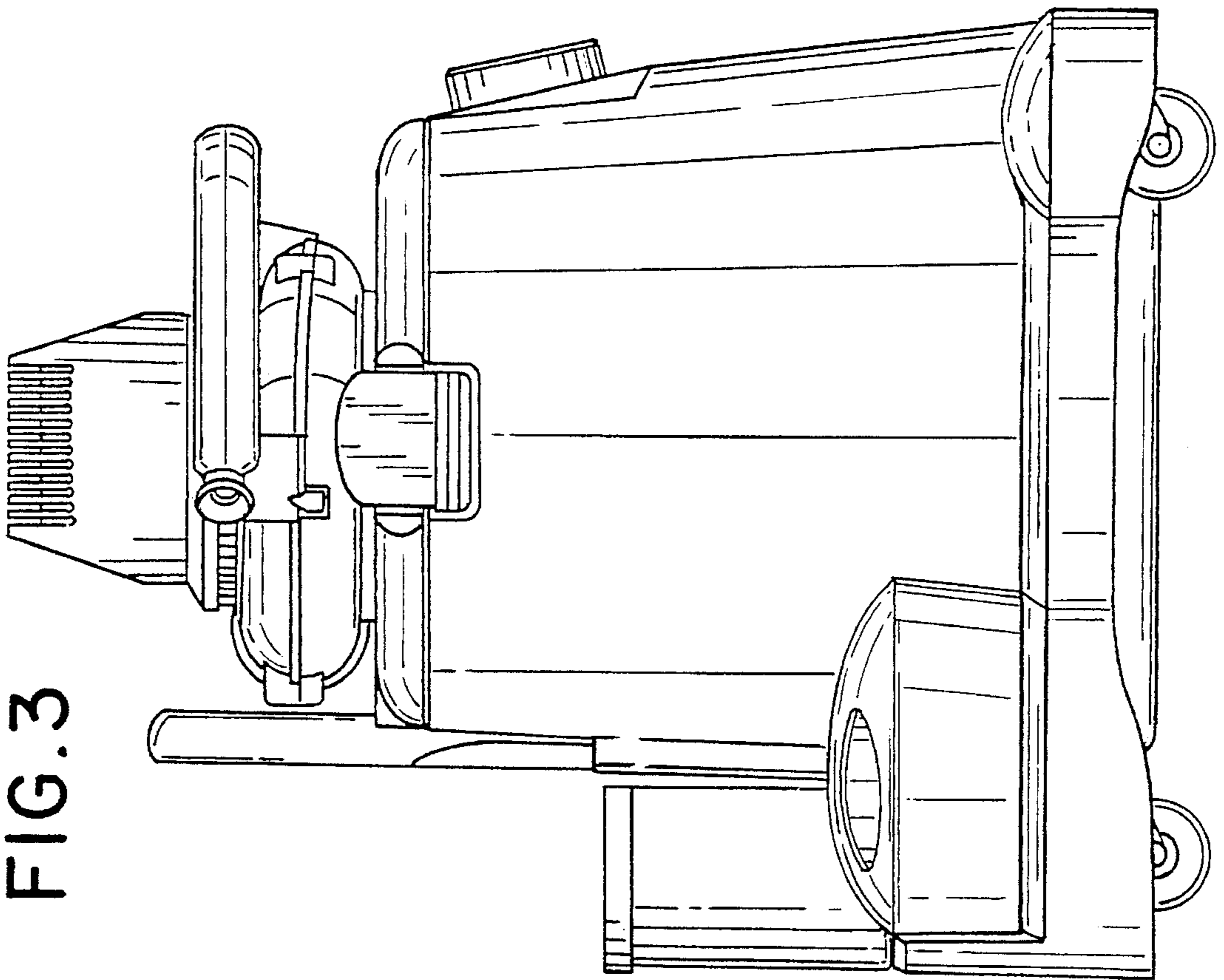


FIG. 3

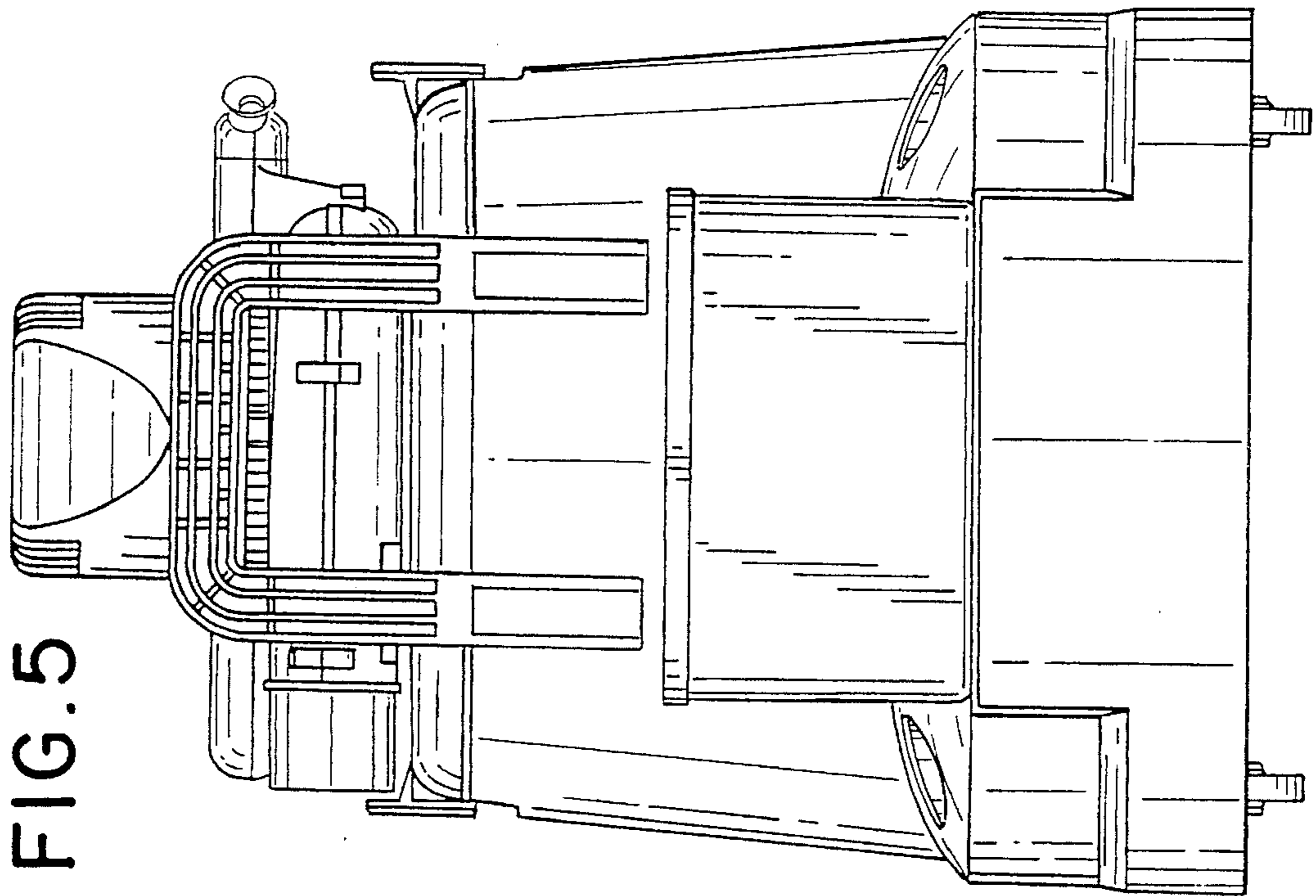


FIG. 5

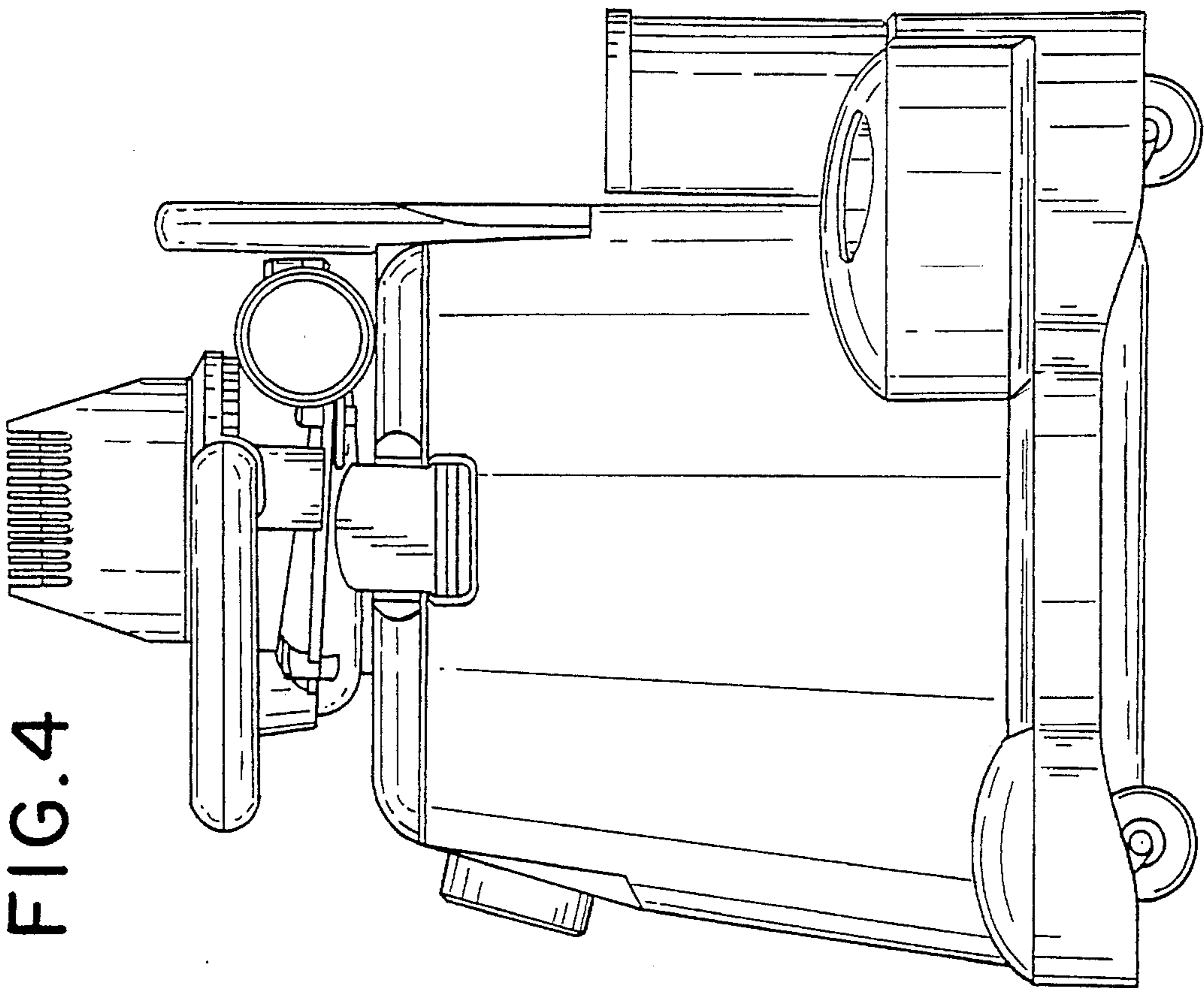


FIG. 4

FIG. 7

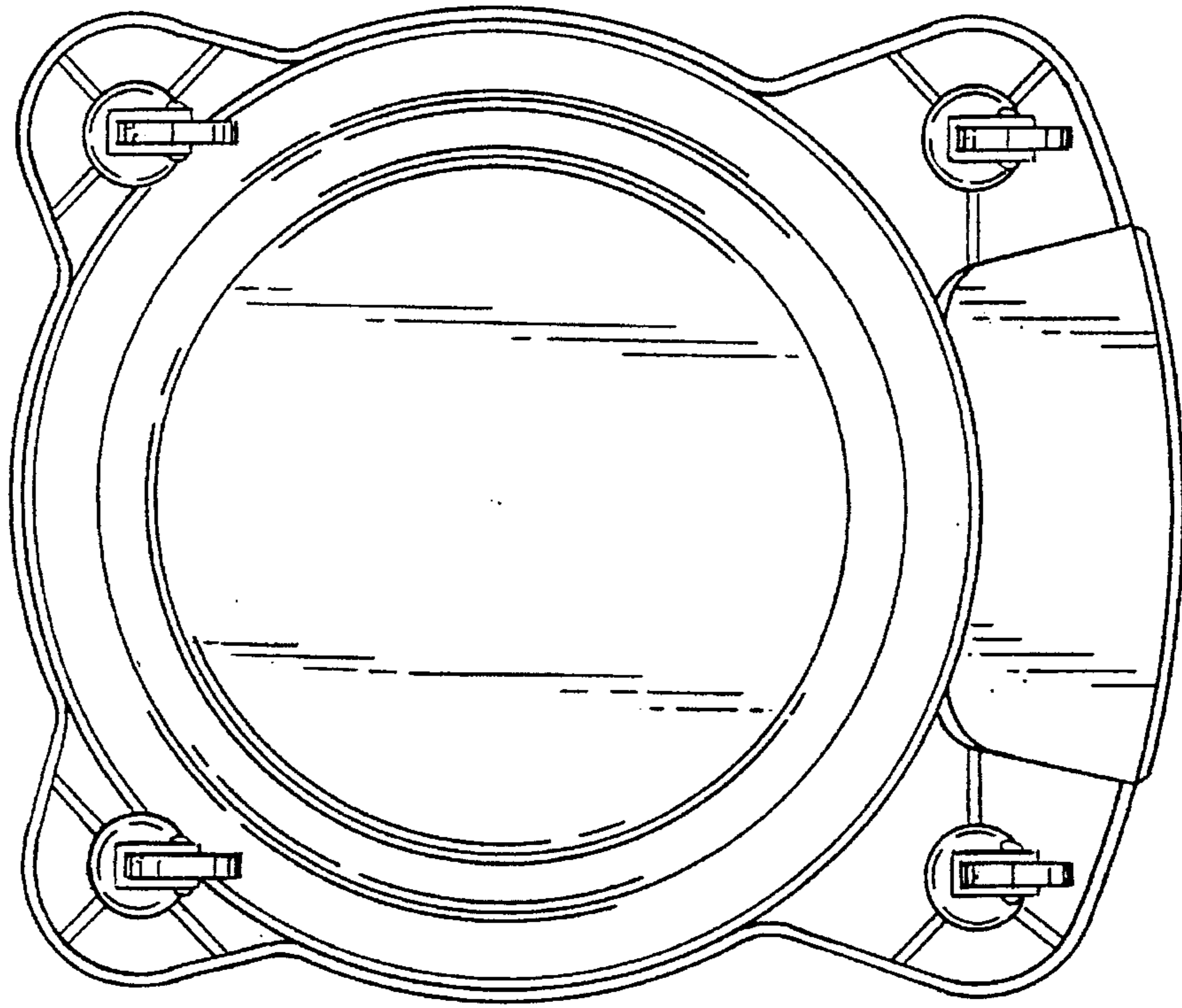


FIG. 6

