



US00D373861S

# United States Patent [19]

[11] Patent Number: **Des. 373,861**

**Block**

[45] Date of Patent: **\*\*Sep. 17, 1996**

[54] **PORTABLE CARPET CLEANING MACHINE**

[75] Inventor: **Thomas S. Block**, Muskegon, Mich.

[73] Assignee: **Pacific Steamex Cleaning Systems, Inc.**, Muskegon, Mich.

[\*\*] Term: **14 Years**

[21] Appl. No.: **32,978**

[22] Filed: **Dec. 30, 1994**

[52] U.S. Cl. .... **D32/21**

[58] Field of Search ..... D32/21, 22, 23;  
15/320-321, 353, 340.2, 327.1-327.2, 327.5-327.7

[56] **References Cited**

### U.S. PATENT DOCUMENTS

D. 228,058	8/1973	Hohulin .....	D32/21
D. 242,210	11/1976	Panize .....	D32/21
D. 248,656	7/1978	Panize .....	D32/21
D. 248,657	7/1978	Panize .....	D32/21
D. 254,788	4/1980	Nauta .	
D. 258,064	1/1981	Pearman, Jr. .	
D. 258,132	2/1981	Levy .	
D. 264,591	5/1982	Jacobs .	
D. 270,960	10/1983	Parise et al. .	
D. 274,850	7/1984	Smith .	
D. 274,851	7/1984	Schmitz .	
D. 276,472	11/1984	Harrison .	
D. 281,919	12/1985	Bailey et al. .	
D. 287,653	1/1987	Nelson .	
D. 292,336	10/1987	Kieft et al. .	
D. 293,729	1/1988	Soeffker et al. .	

D. 293,950	1/1988	Ogden et al. .	
D. 298,479	11/1988	Jacobs et al. .	
D. 313,095	12/1990	Avecilla et al. .	
D. 318,543	7/1991	Shero .	
D. 337,184	7/1993	Bothun et al. .	
D. 337,185	7/1993	Wulff .	
D. 338,292	8/1993	Schmitz et al. .	
D. 338,989	8/1993	Ambrosiano .	
D. 344,377	2/1994	Thomas .....	D32/23
D. 345,034	3/1994	Fitzwater .	

*Primary Examiner*—Ruth McInroy

*Attorney, Agent, or Firm*—Varnum, Riddering, Schmidt & Howlett LLP

### [57] CLAIM

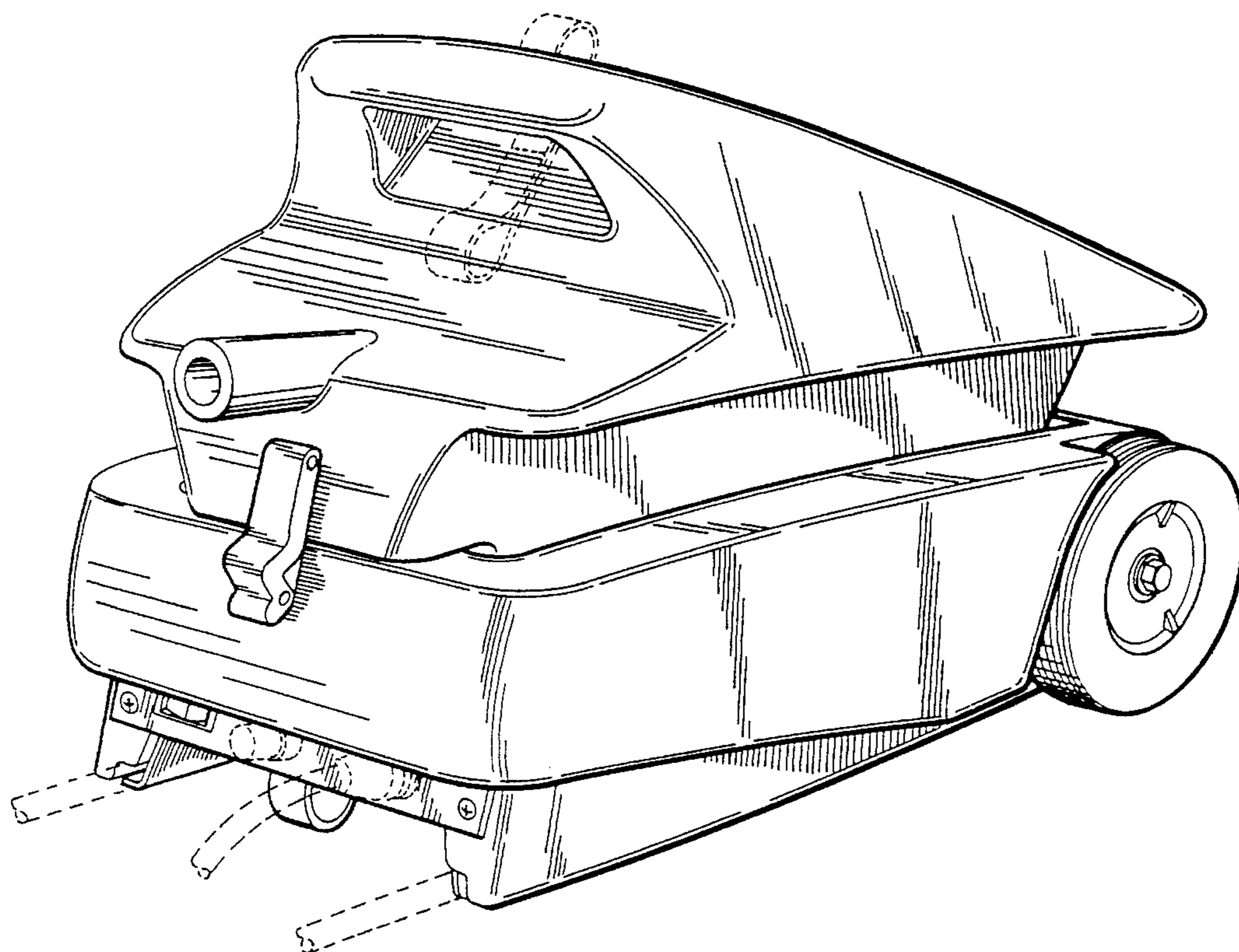
The ornamental design for a portable carpet cleaning machine, as shown and described.

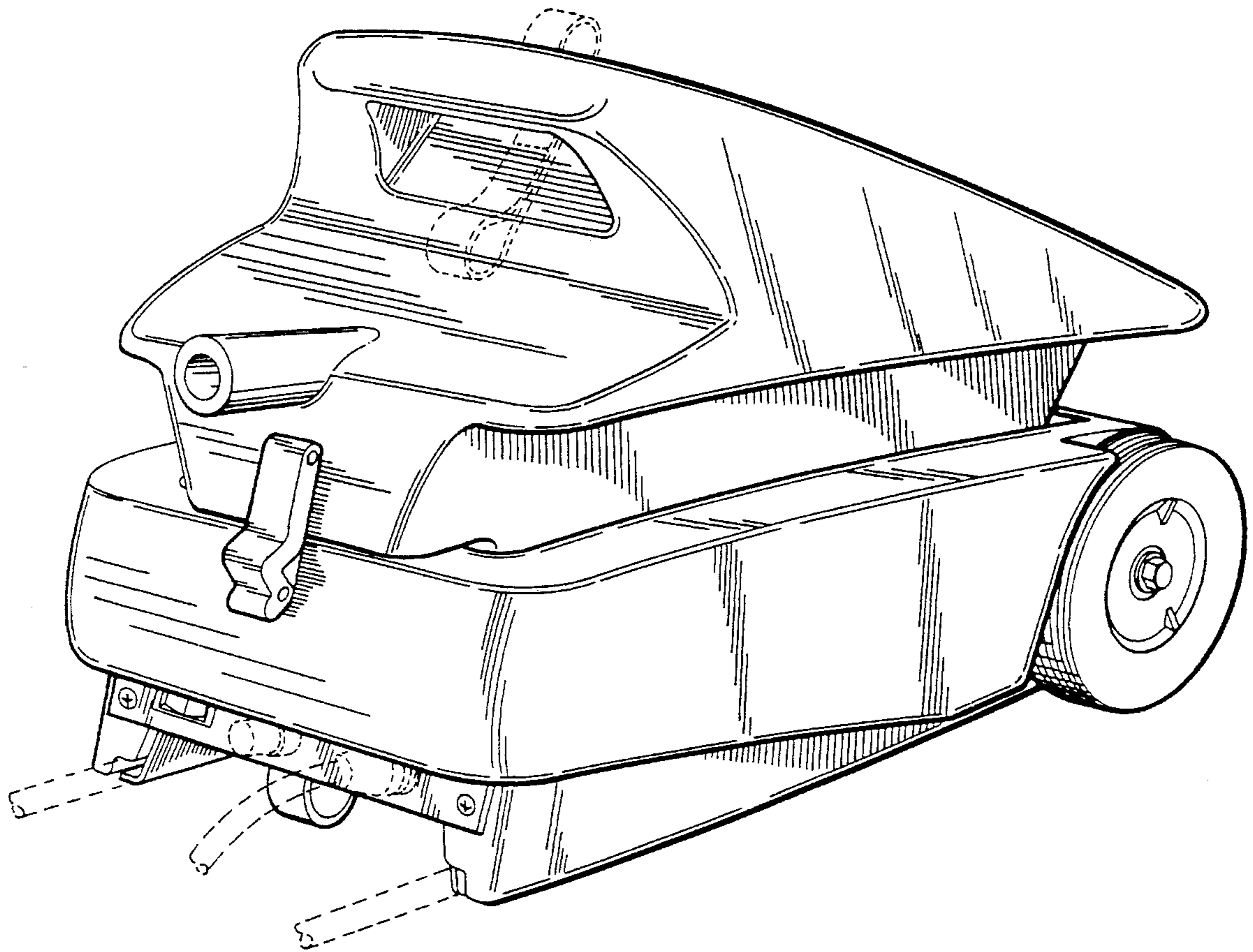
### DESCRIPTION

FIG. 1 is a perspective view of a portable carpet cleaning machine showing my new design; FIG. 2 is a side elevational view thereof, the opposite side view being a mirror image thereof; FIG. 3 is a front elevational view thereof; FIG. 4 is a back elevational view thereof; FIG. 5 is a top plan view thereof; and, FIG. 6 is a bottom view thereof.

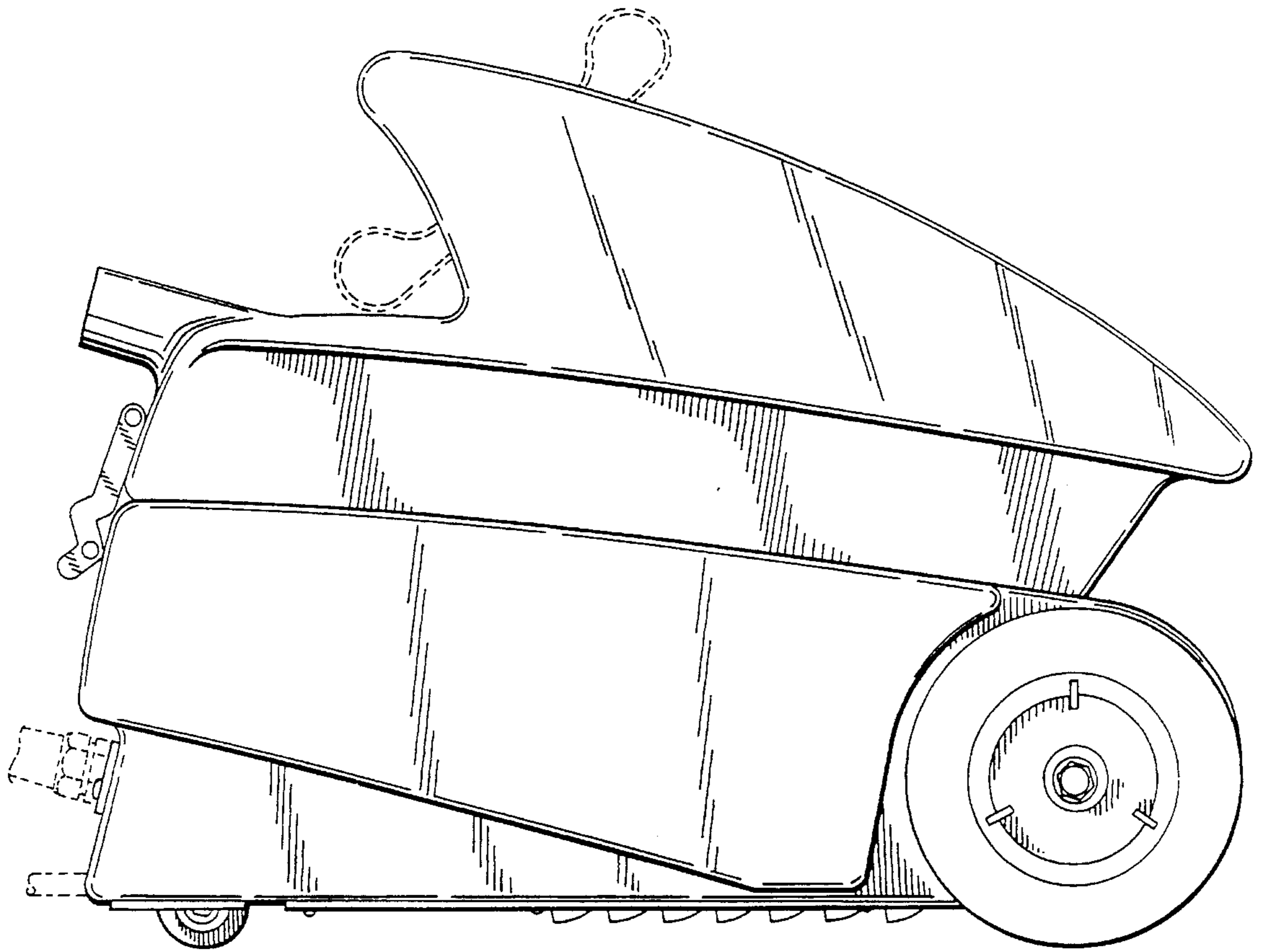
The broken lines shown in all views, except for FIG. 4, are shown for illustrative purposes only and form no part of the claimed design.

**1 Claim, 4 Drawing Sheets**



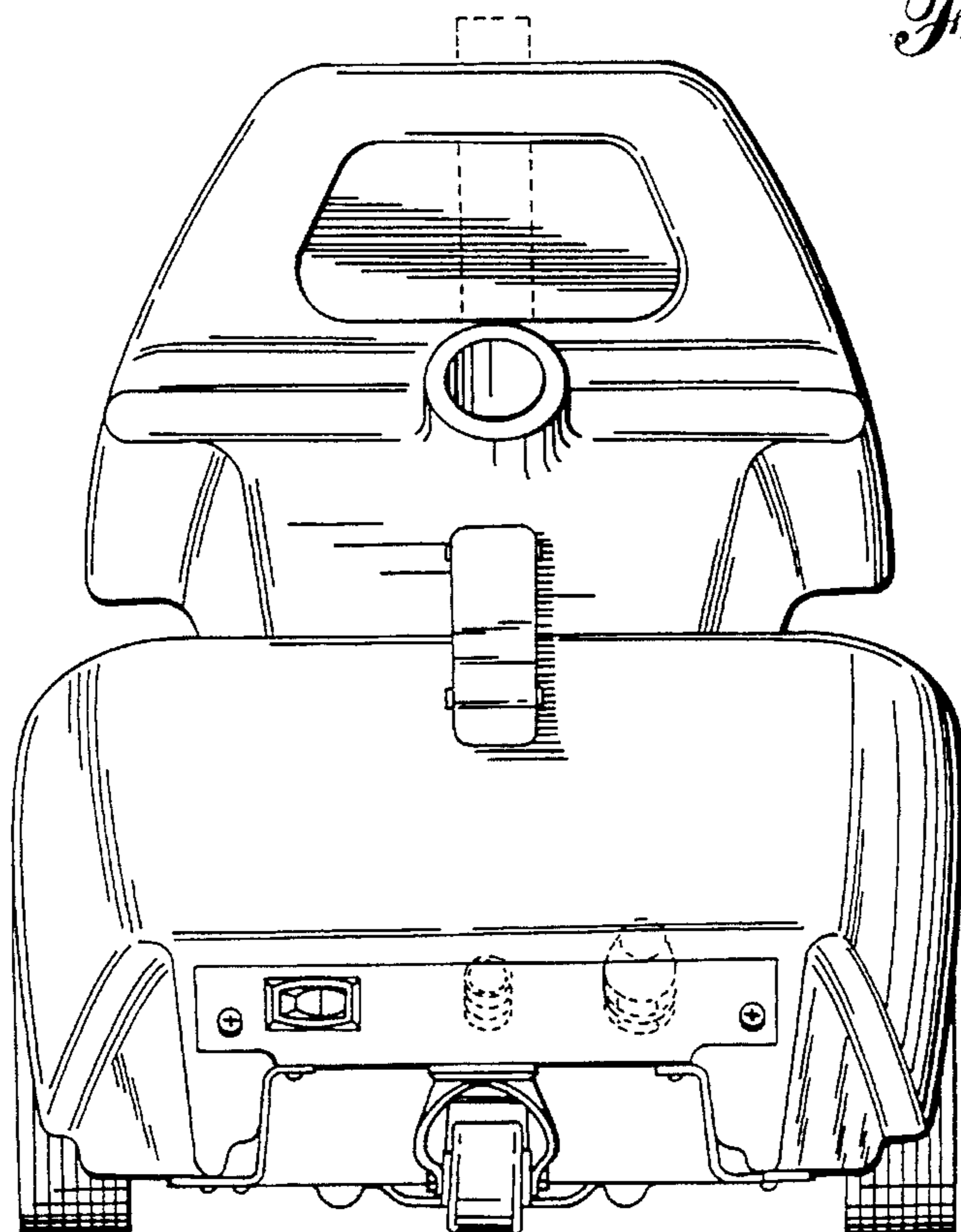


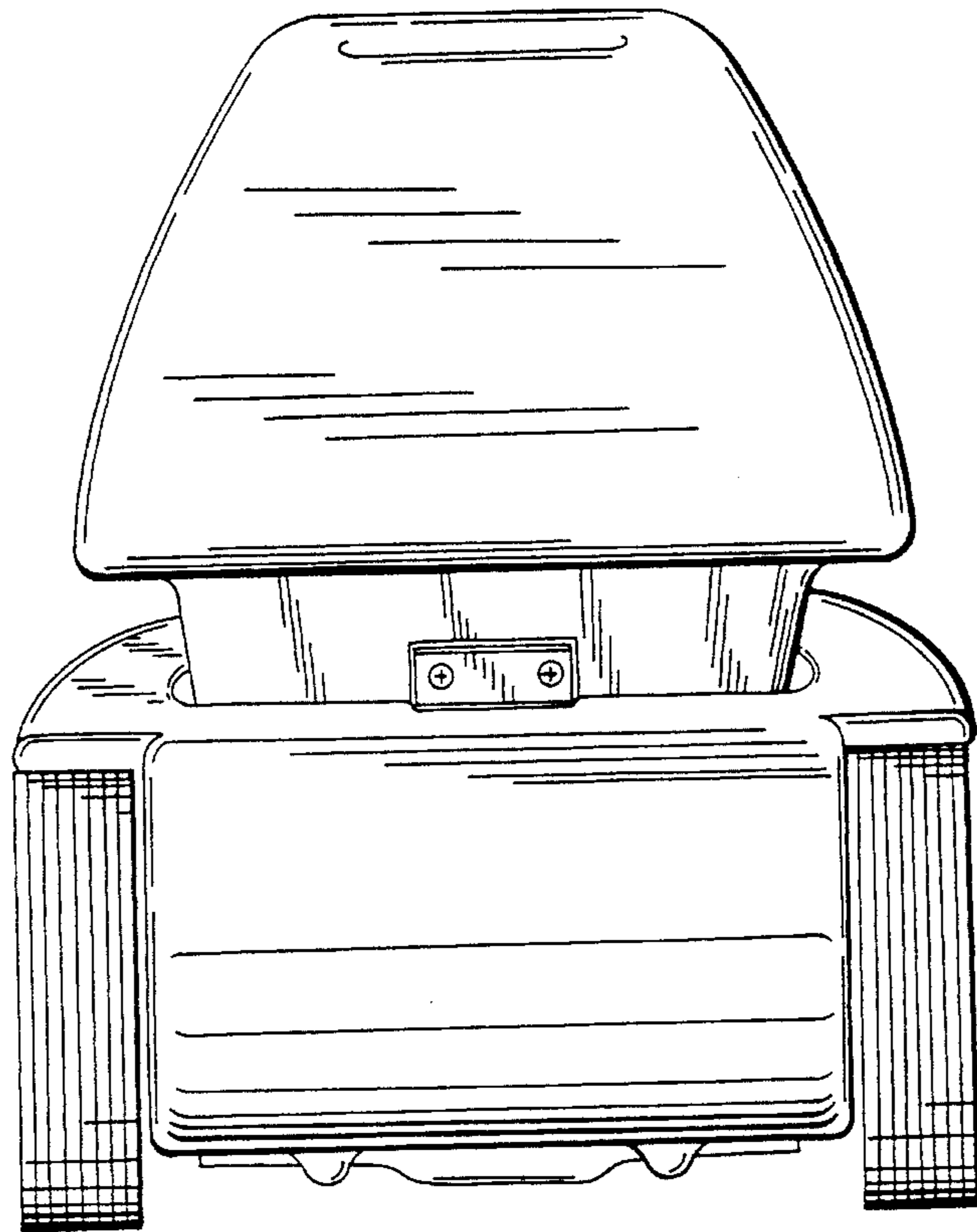
*Fig. 1*



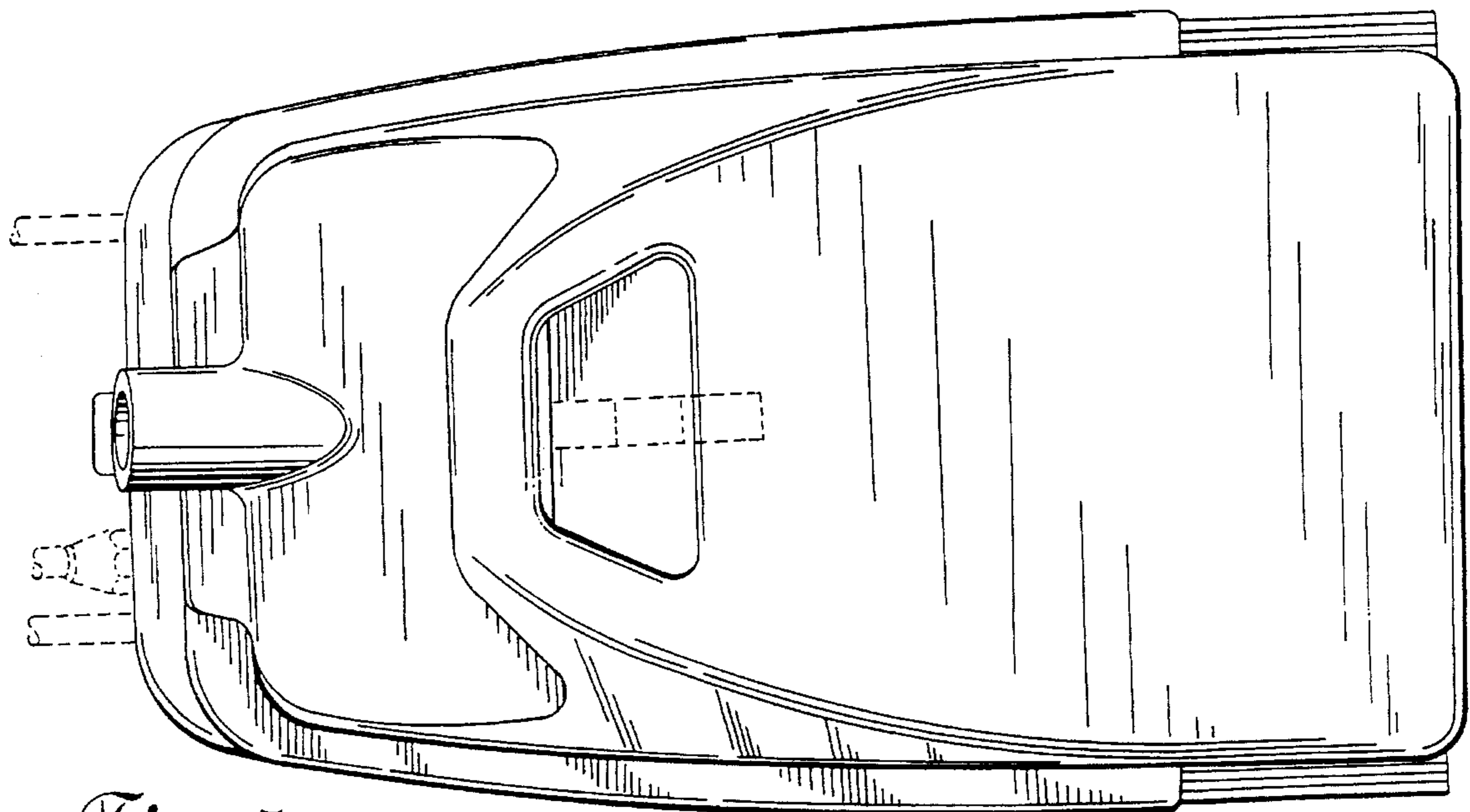
*Fig. 2*

*Fig. 3*

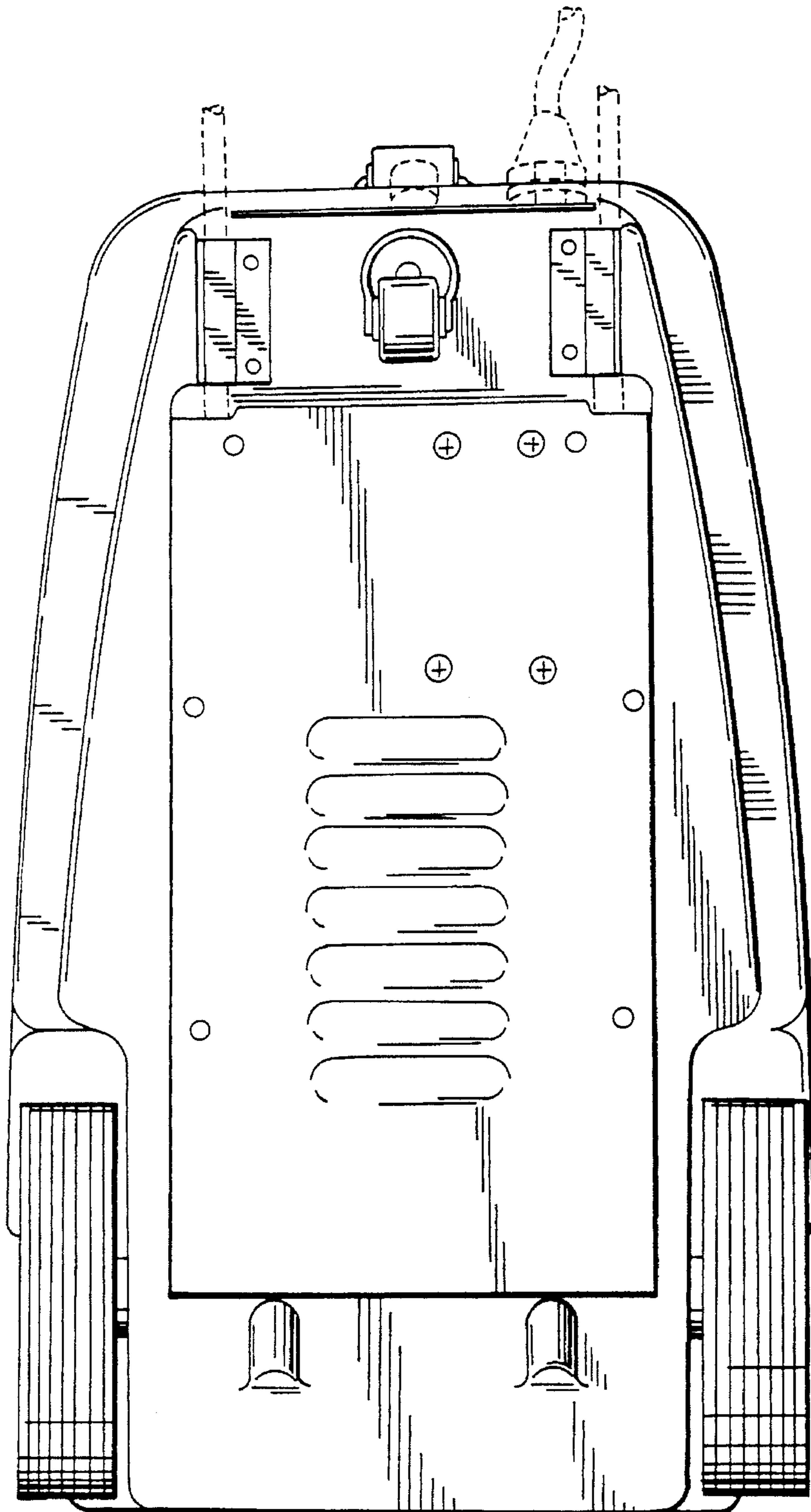




*Fig. 4*



*Fig. 5*



*Fig. 6*