



US00D373860S

United States Patent [19]
Manke

[11] **Patent Number: Des. 373,860**

[45] **Date of Patent: **Sep. 17, 1996**

[54] **CONTROL PANEL FOR DISHWASHER**

[75] Inventor: **Darrin S. Manke**, Des Moines, Iowa

[73] Assignee: **Maytag Corporation**, Newton, Iowa

[**] Term: **14 Years**

[21] Appl. No.: **30,555**

[22] Filed: **Nov. 1, 1994**

[52] U.S. Cl. **D32/3**

[58] Field of Search D32/2, 3; D13/162,
D13/164, 177; 134/56 D, 57 D, 58 DL,
93, 135; 312/257.1, 108-109, 204

Dishwashers Compactors Whirlpool-Jul. 1992.

Dishwashers and Trash Compactors Kitchen Aid-1993.

Innovative Features Inside and Out Frigidaire Sep. 1993.

Primary Examiner—Alan P. Douglas

Assistant Examiner—Stacia Sinuik

Attorney, Agent, or Firm—Zarley, McKee, Thomte,
Voorhees & Sease

[57] **CLAIM**

The ornamental design for a control panel for dishwasher, as shown.

DESCRIPTION

FIG. 1 is a perspective view of the control panel for a dishwasher according to the present invention;

FIG. 2 is a sectional view taken along lines 2—2 of FIG. 1;

FIG. 3 is a front elevation view of the control panel;

FIG. 4 is a bottom plan view of the control panel;

FIG. 5 is a top plan view of the control panel, and;

FIG. 6 is an end elevation view of the control panel.

[56] **References Cited**

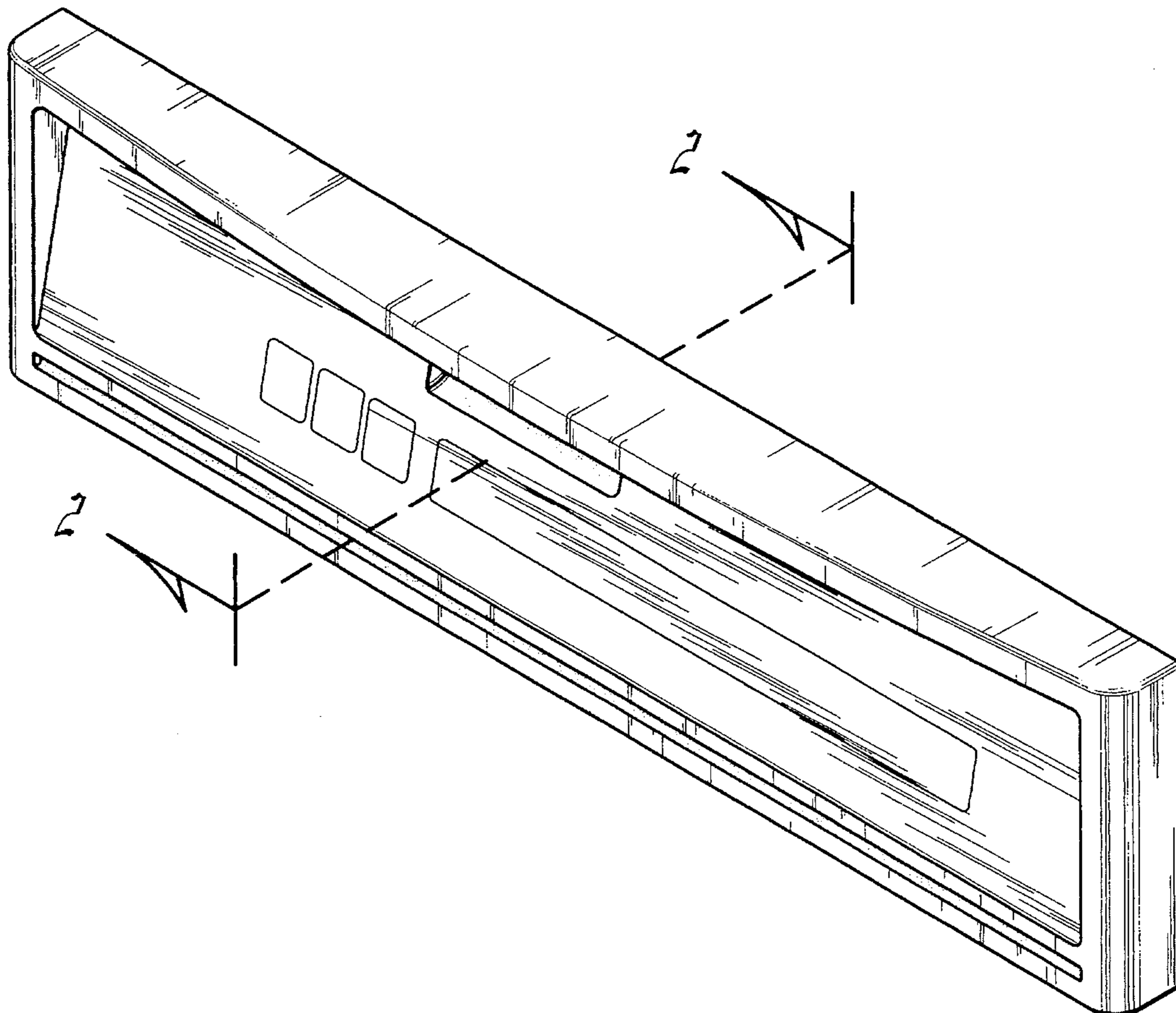
U.S. PATENT DOCUMENTS

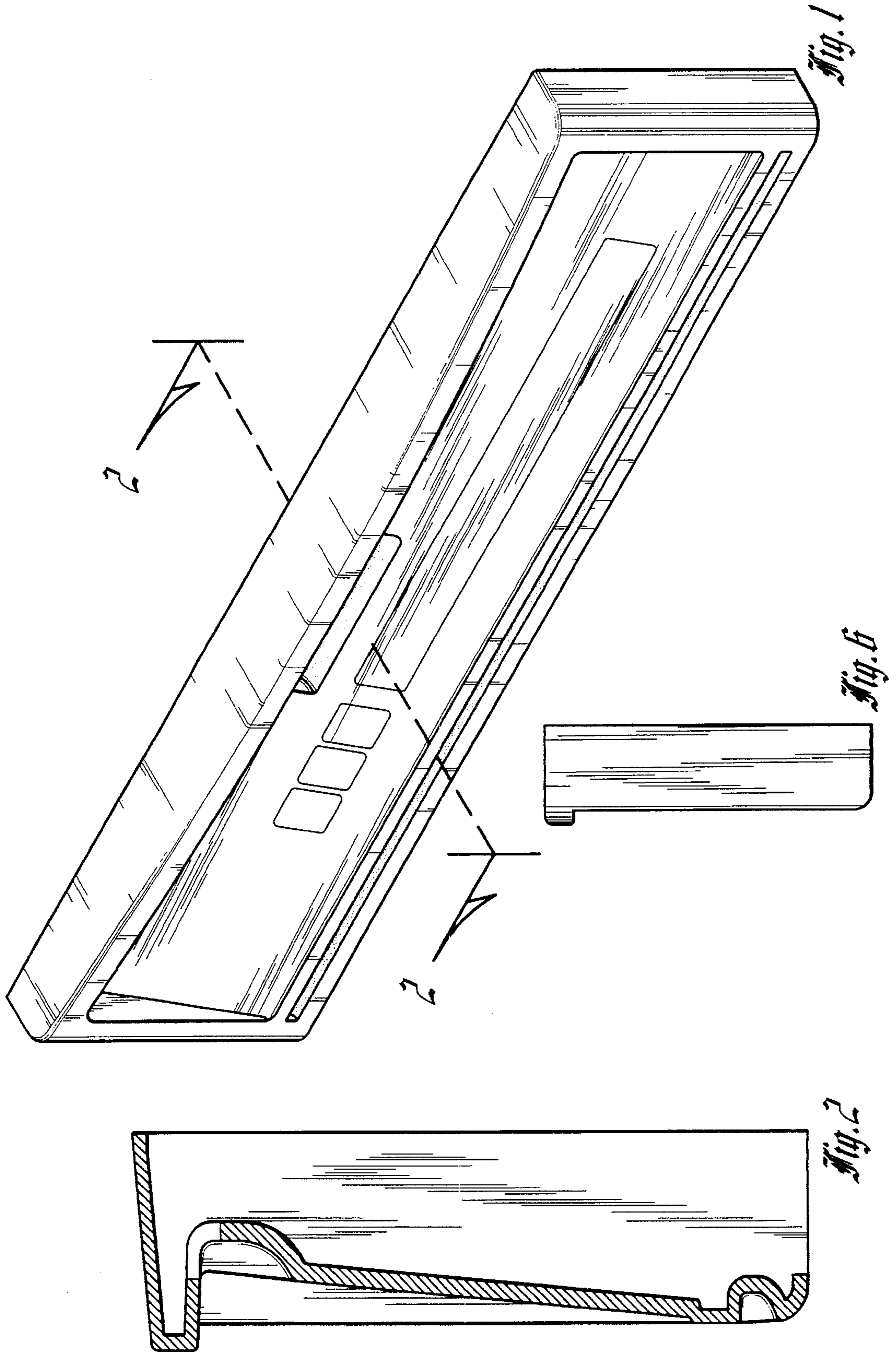
D. 214,193	5/1969	Swartz	D32/3
D. 320,487	10/1991	Marks et al.	D32/3
D. 320,488	10/1991	Marks et al.	D32/3
D. 320,489	10/1991	Marks et al.	D32/3
4,732,431	3/1988	Mason	312/109

OTHER PUBLICATIONS

Built-In Dishwashers—Sep. 1992 G.E. Dishwashers.
Dishwashers/Trash Compactors—May 1993 White—Westinghouse.

1 Claim, 2 Drawing Sheets





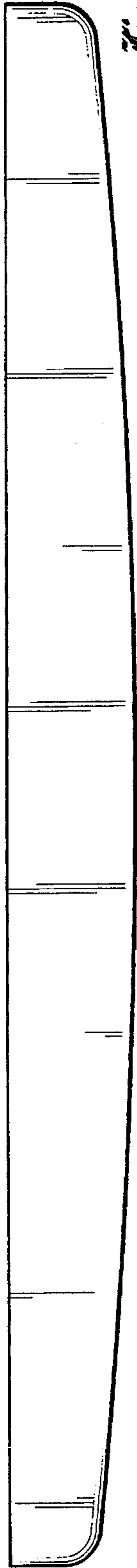


Fig. 5

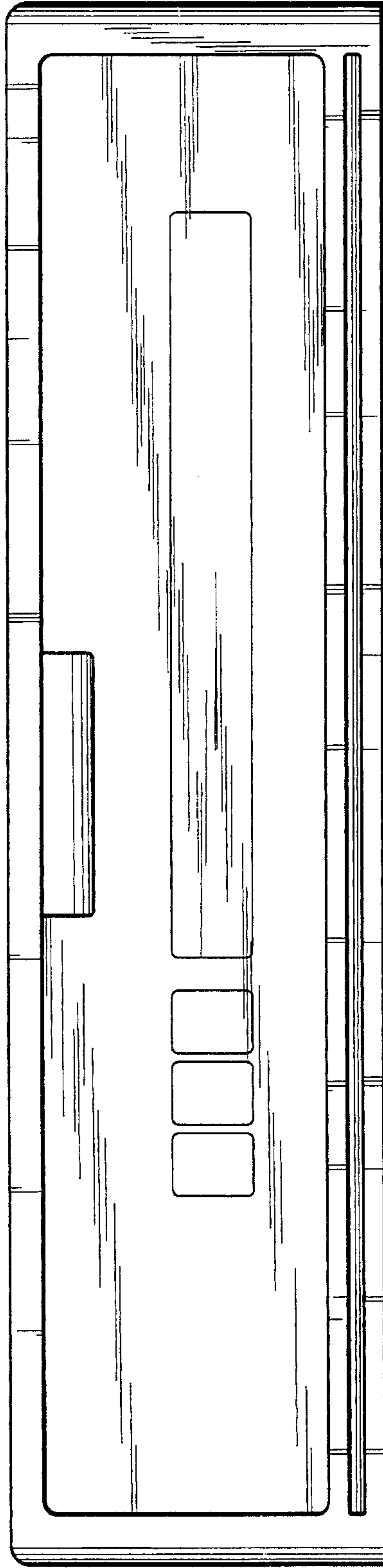


Fig. 3

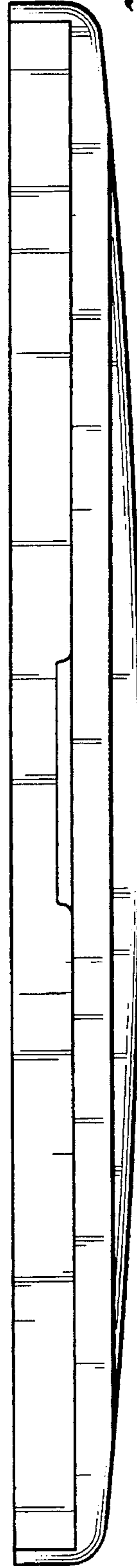


Fig. 4