



US00D373858S

# United States Patent [19] Chen

[11] Patent Number: **Des. 373,858**  
[45] Date of Patent: **\*\*Sep. 17, 1996**

[54] **PET FEEDER**

[76] Inventor: **Yin-Tsang Chen**, No. 51, Lane 490,  
Chung Cheng S. Rd., Yung Kang,  
Tainan, Taiwan

[\*\*] Term: **14 Years**

[21] Appl. No.: **38,956**

[22] Filed: **May 17, 1995**

[52] U.S. Cl. .... **D30/130; D7/555**

[58] Field of Search ..... D30/121-122,  
D30/129-130, 132-133; 119/61, 54, 76,  
51.5, 51.03, 52.1, 51.12, 52.4; D7/553,  
555

[56] **References Cited**

### U.S. PATENT DOCUMENTS

D. 211,532	6/1968	Ashton	.....	D7/553
D. 229,073	11/1973	Brickel	.....	D30/130
D. 272,486	2/1984	Benedetti	.....	D7/553
D. 299,771	2/1989	Kennedy	.....	D7/555
D. 335,940	5/1993	McGrath et al.	.....	D30/130
D. 336,217	6/1993	Picozza	.....	D7/553
D. 336,555	6/1993	Gaetz	.....	D7/553

D. 362,090	9/1995	Baldwin et al.	.....	D7/555
2,185,907	1/1940	Alexander	.....	D7/553
2,928,372	3/1960	Farley	.....	D30/129
5,117,778	9/1992	Imamura	.....	119/51.5

### FOREIGN PATENT DOCUMENTS

2580458	10/1986	France	.....	D30/133
---------	---------	--------	-------	---------

*Primary Examiner*—Cathy Anne MacCormac  
*Attorney, Agent, or Firm*—Jones, Tullar & Cooper, P.C.

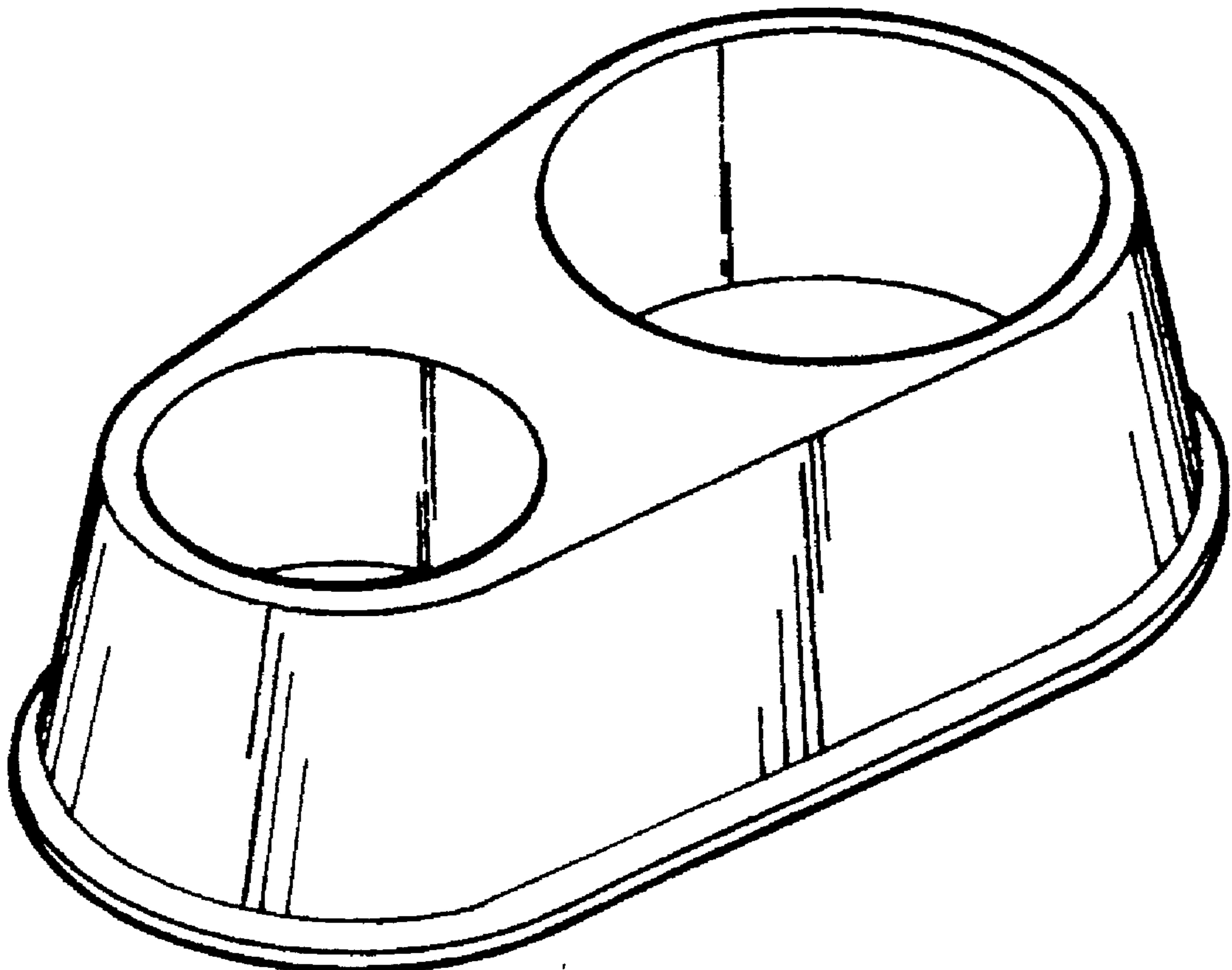
### [57] CLAIM

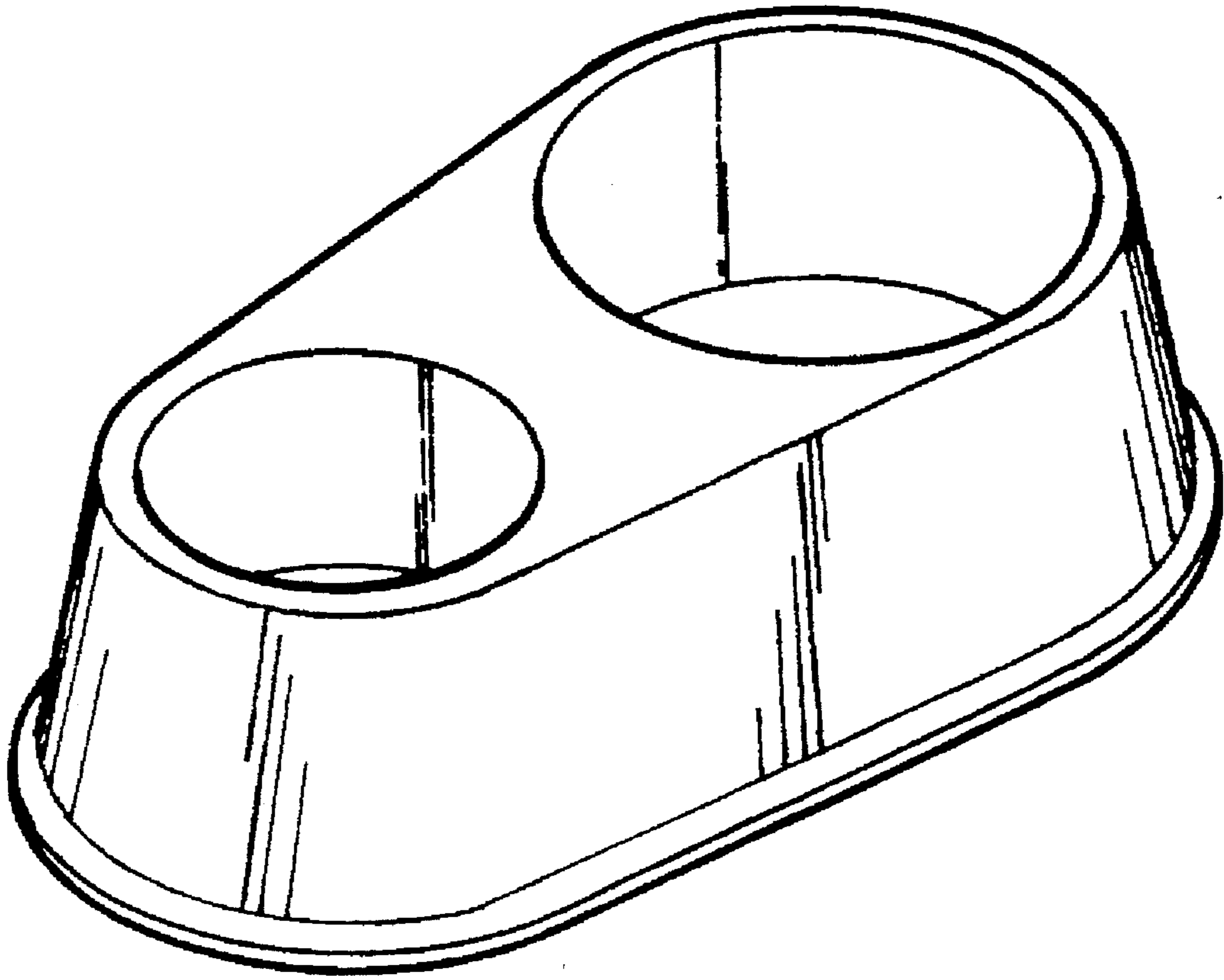
The ornamental design for a pet feeder, as shown and described.

### DESCRIPTION

FIG. 1 is a perspective view of a pet feeder showing my new design;  
FIG. 2 is a front elevational view of the design;  
FIG. 3 is a rear elevational view of the design;  
FIG. 4 is a left side elevational view of the design;  
FIG. 5 is a right side elevational view of the design;  
FIG. 6 is a top plan view of the design; and,  
FIG. 7 is a bottom plan view of the design.

**1 Claim, 2 Drawing Sheets**





*FIG. 1*



FIG. 2



FIG. 3

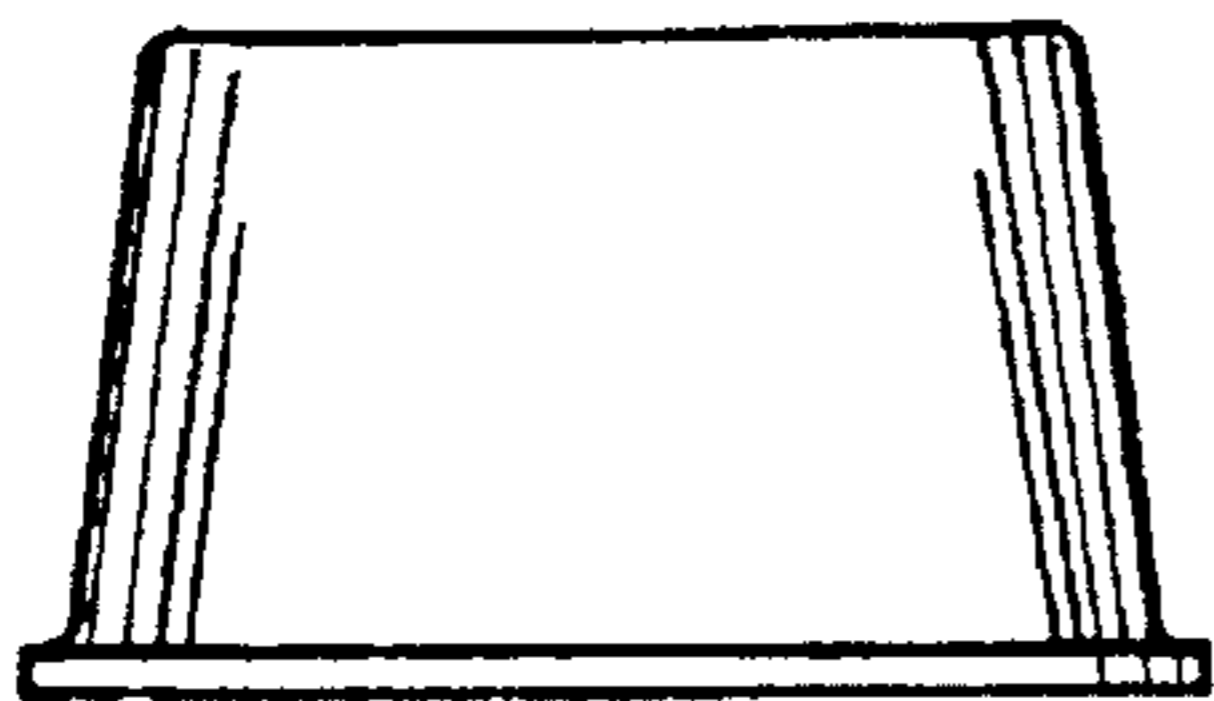


FIG. 4

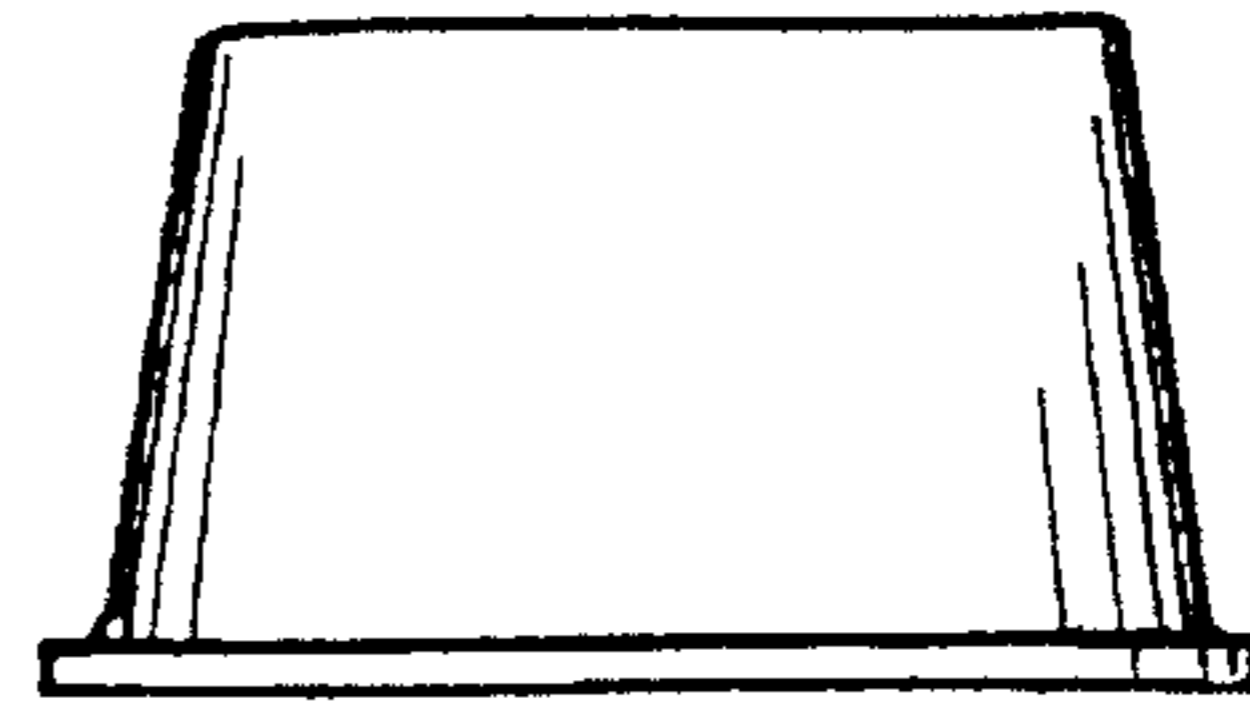


FIG. 5

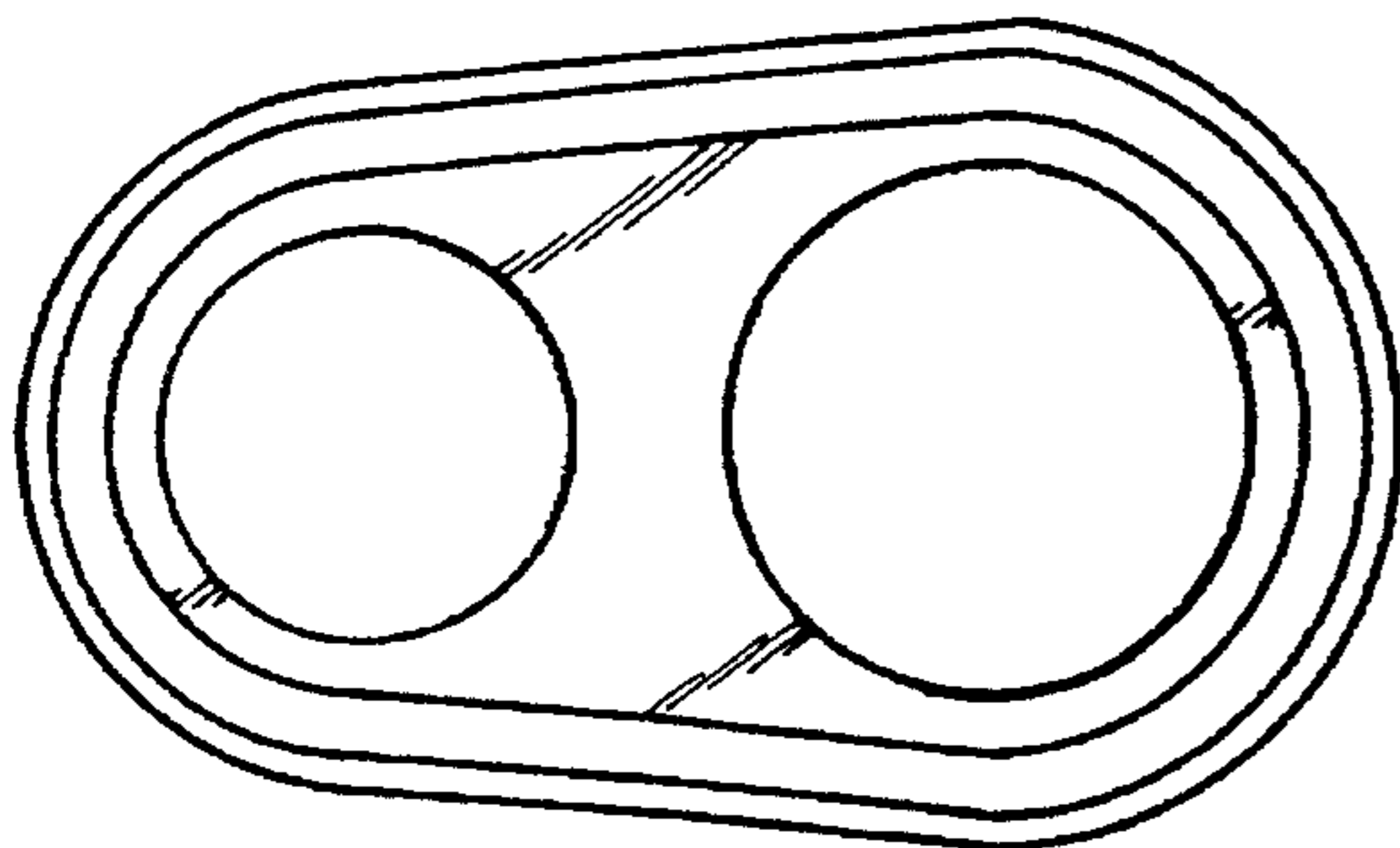


FIG. 6

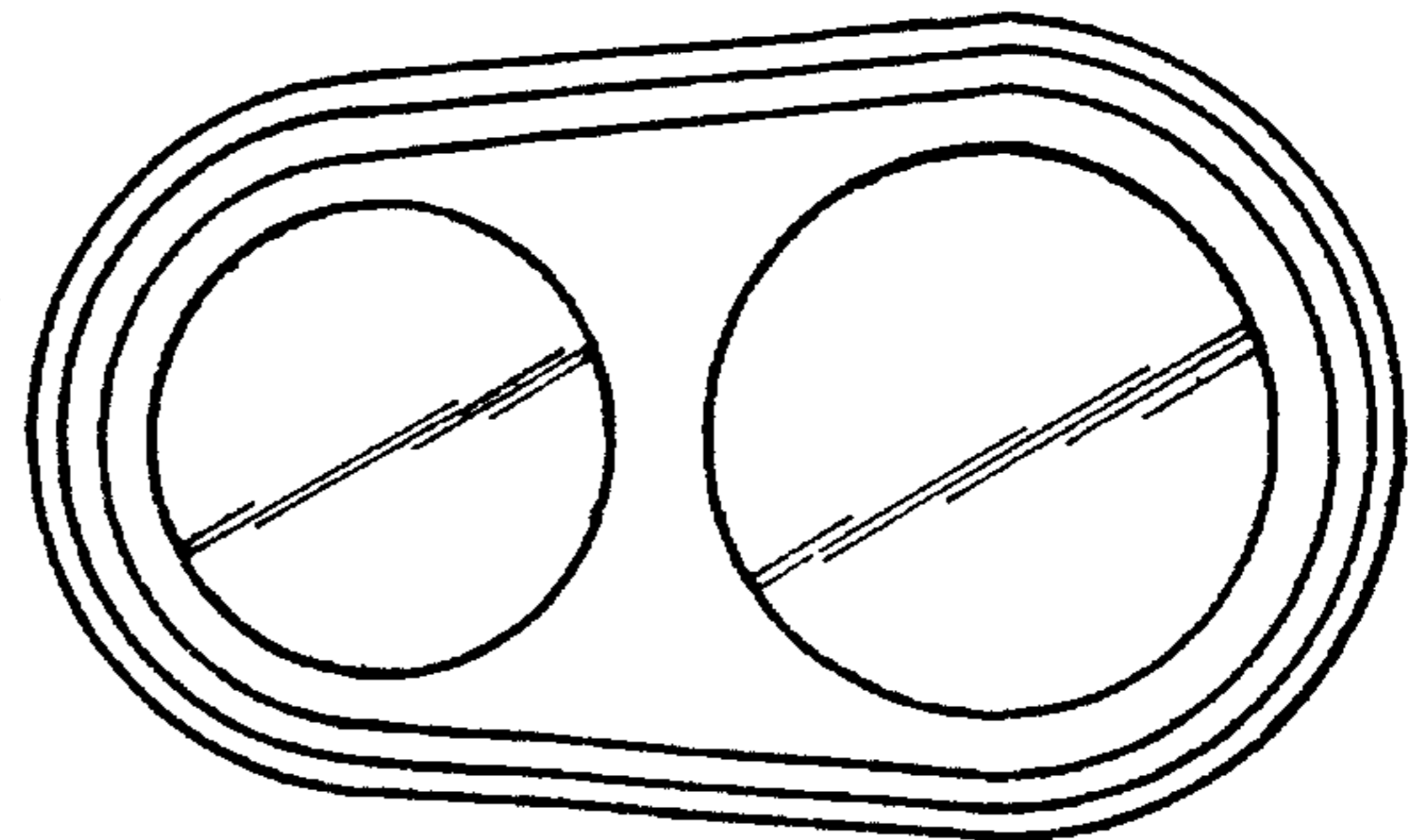


FIG. 7