



US00D373854S

United States Patent [19] Hudson

[11] Patent Number: **Des. 373,854**
[45] Date of Patent: ****Sep. 17, 1996**

[54] **COMBINED NAIL FILE AND HOLDER**
[75] Inventor: **Larry E. Hudson**, Grand Rapids, Mich.
[73] Assignee: **ESI Industries, Inc.**, Grand Rapids, Mich.
[**] Term: **14 Years**

[21] Appl. No.: **29,241**
[22] Filed: **Sep. 30, 1994**
[52] U.S. Cl. **D28/59**
[58] Field of Search **D28/56, 57, 59;**
132/73, 73.5, 75, 75.3, 75.6, 76.2, 76.4,
76.5

[56] **References Cited**

U.S. PATENT DOCUMENTS

D. 129,131	8/1941	Reynolds	D28/59 X
D. 154,227	6/1949	Alvizua	D28/59
D. 174,661	5/1955	Simmons	D28/59
D. 206,875	2/1967	Mosch	D28/59 X
1,312,653	8/1919	Watrous	132/76.2 X
1,492,470	4/1924	Kirby	132/75.6
2,376,946	5/1945	Stinson	132/76.5
2,408,888	10/1946	Shoop	132/76.2 X
2,523,028	9/1950	Kend	132/76.2 X

Primary Examiner—Dominic Simone
Assistant Examiner—C. Tuttle

Attorney, Agent, or Firm—Price, Heneveld, Cooper, DeWitt & Litton

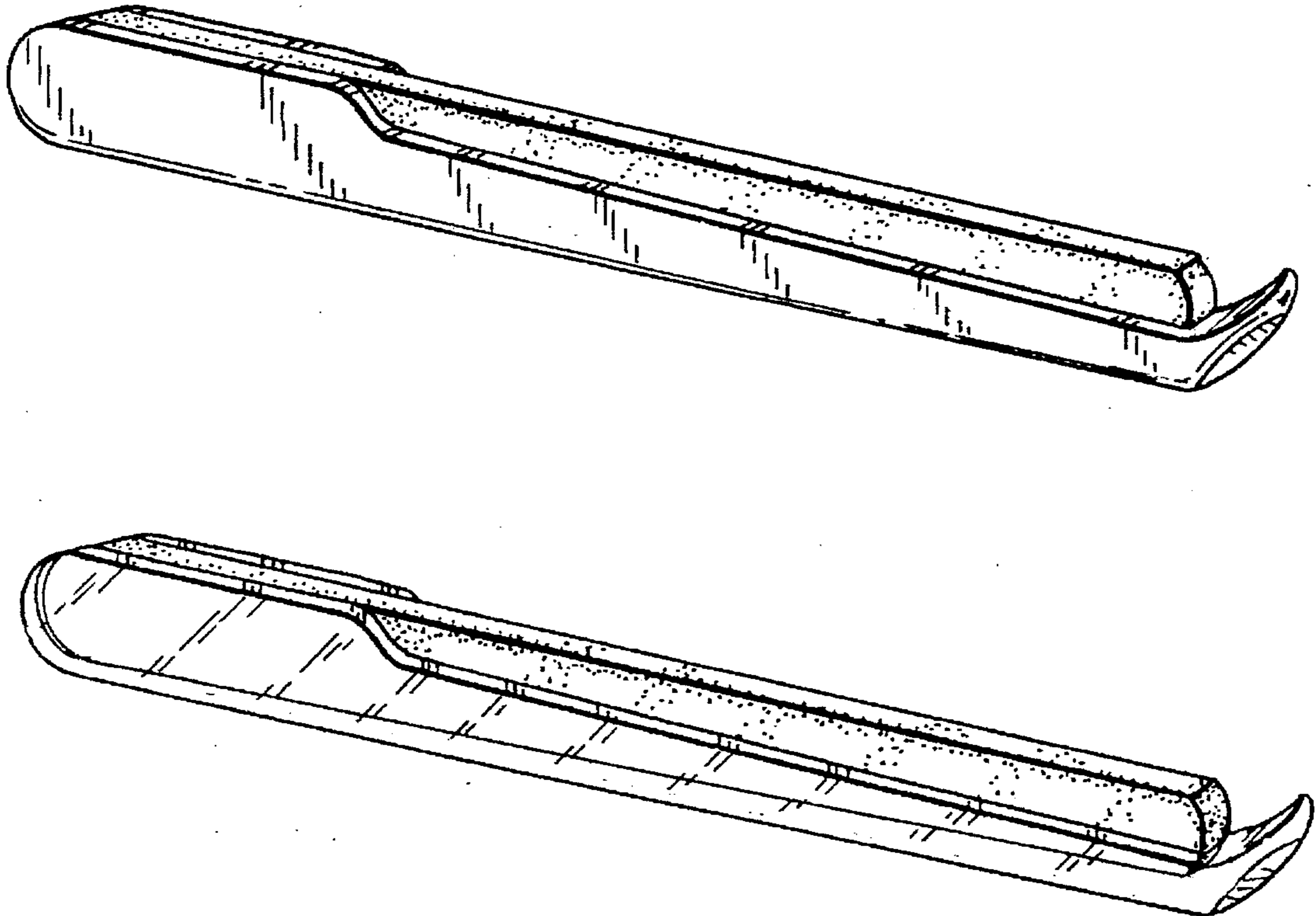
[57] **CLAIM**

The ornamental design for a combined nail file and holder, as shown and as described.

DESCRIPTION

FIG. 1 is a front, top and side perspective view showing my new design with the combined nail file in a raised position; FIG. 2 is an exploded perspective view thereof; FIG. 3 is a further perspective view thereof showing the combined nail file in a lowered position; FIG. 4 is a bottom plan view thereof; FIG. 5 is a top plan view thereof; FIG. 6 is a side elevational view thereof; FIG. 7 is a front end view thereof; FIG. 8 is a rear end view thereof; FIG. 9 is a front, top and side perspective view showing an alternative embodiment of my new design with the combined nail file in a raised position; FIG. 10 is an exploded perspective view thereof; FIG. 11 is a further perspective view thereof showing the combined nail file in a lowered position; FIG. 12 is a bottom plan view thereof; FIG. 13 is a top plan view thereof; FIG. 14 is a side elevational view thereof; FIG. 15 is a front end view thereof; and, FIG. 16 is a rear end view thereof.

1 Claim, 2 Drawing Sheets



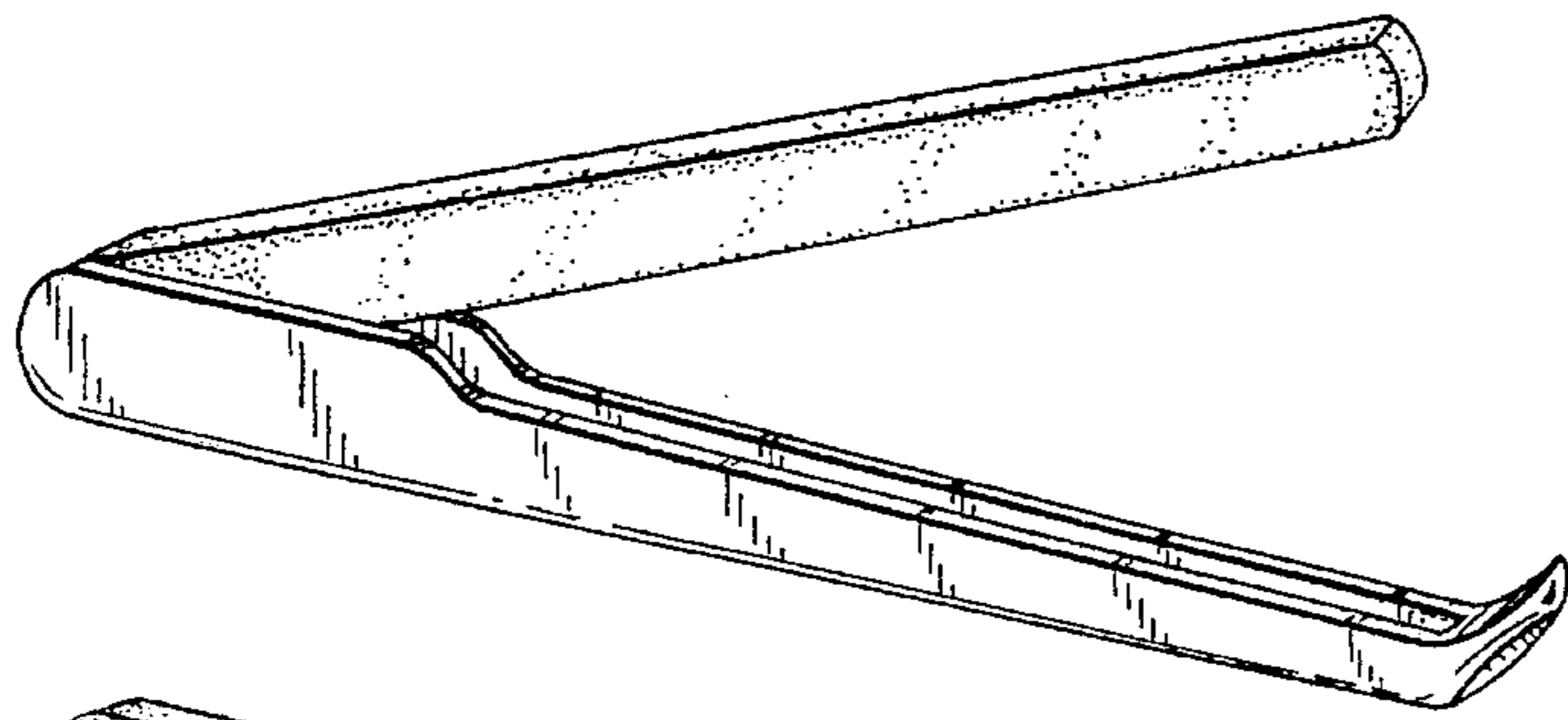


FIG. 1

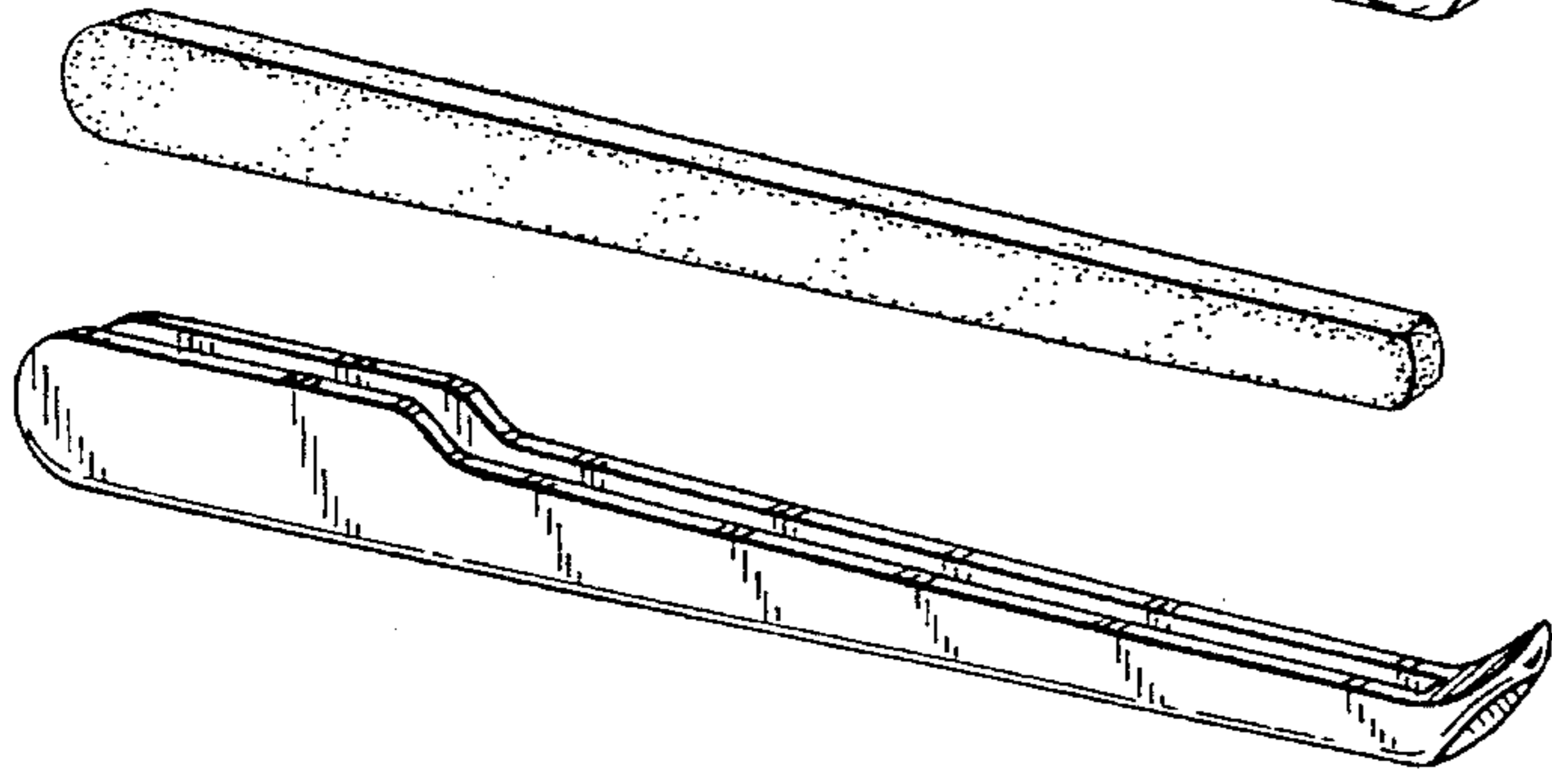


FIG. 2

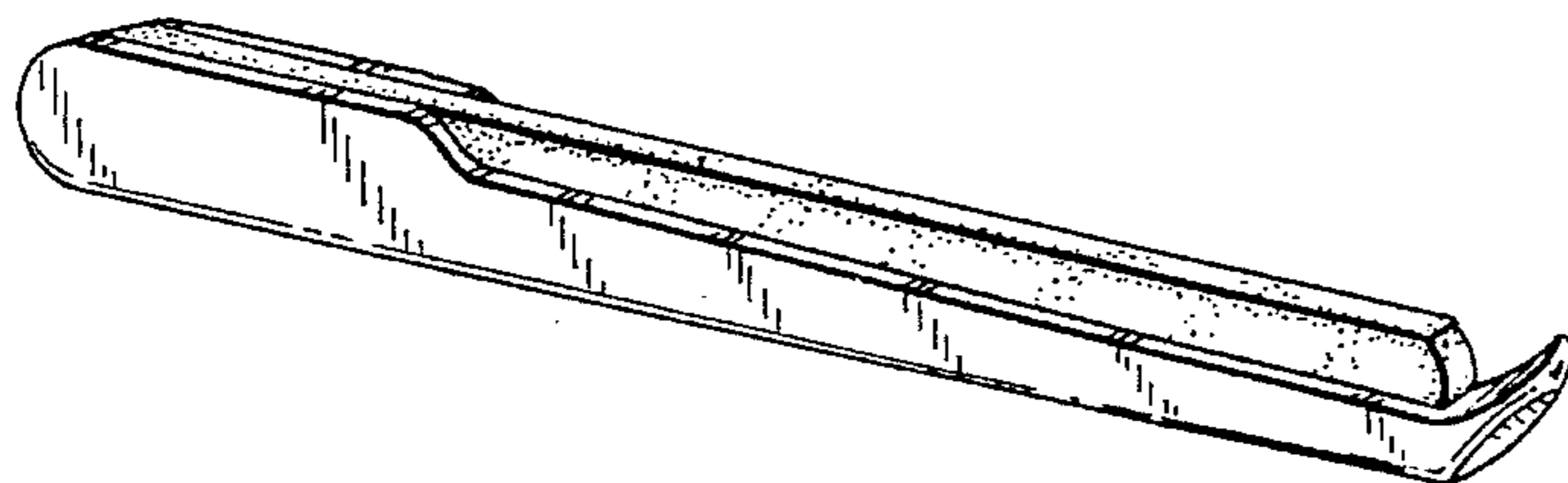


FIG. 3

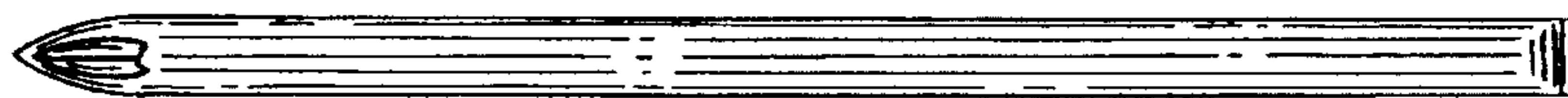


FIG. 4

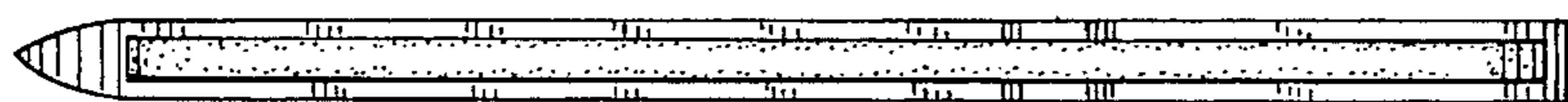


FIG. 5



FIG. 7

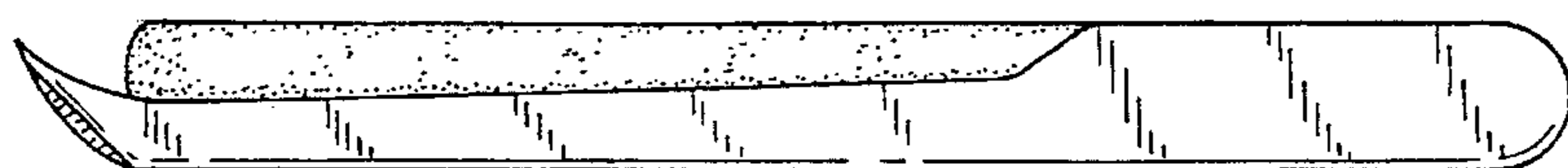


FIG. 6



FIG. 8

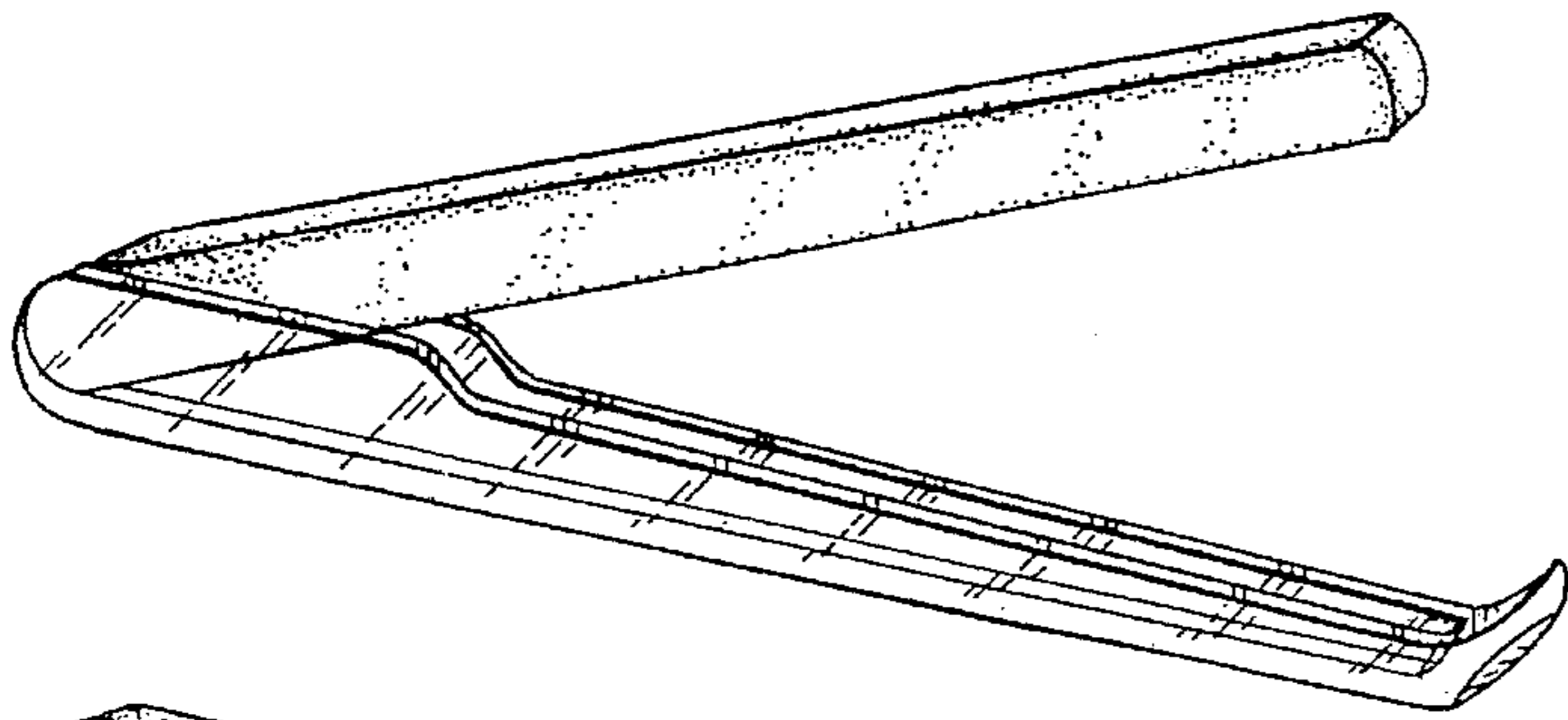


FIG. 9

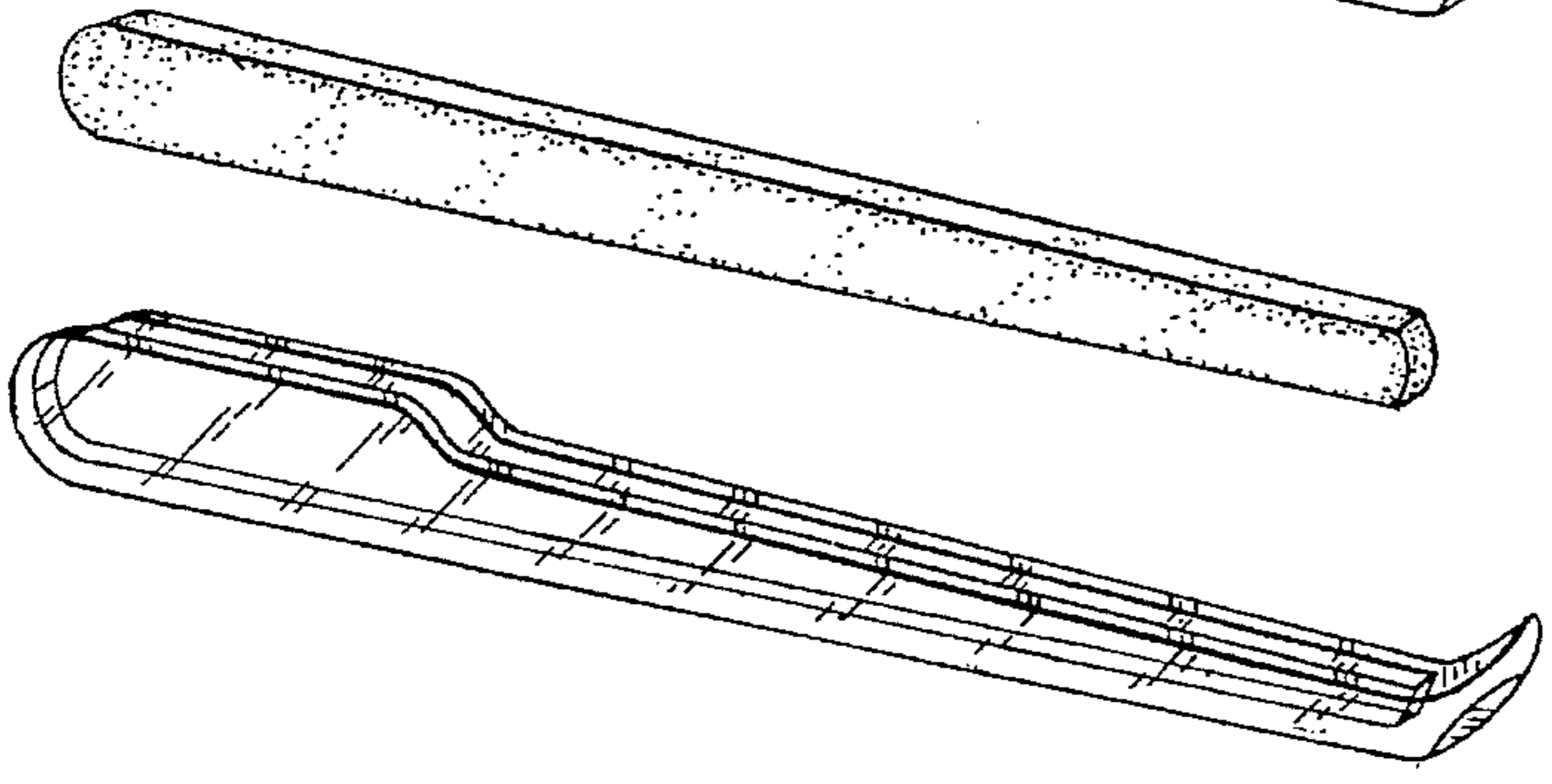


FIG. 10

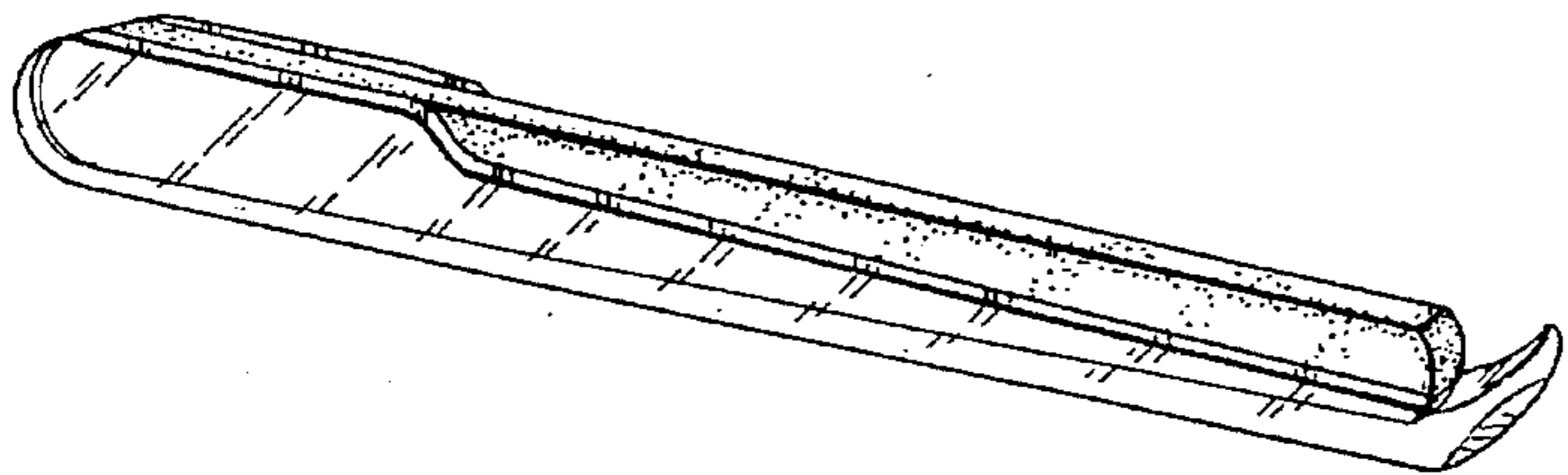


FIG. 11

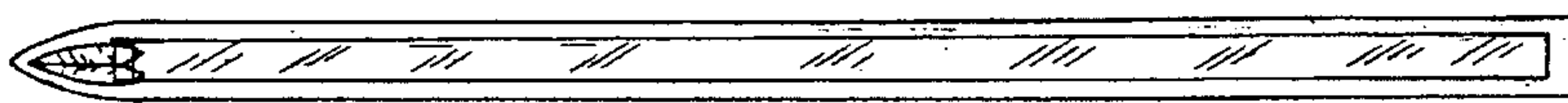


FIG. 12

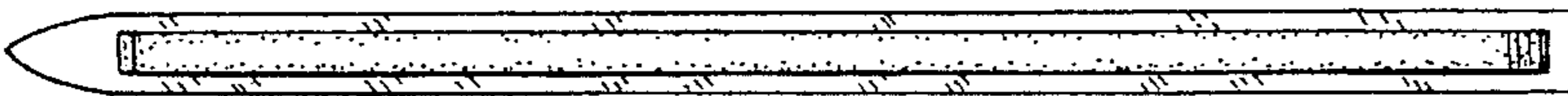


FIG. 13



FIG. 15

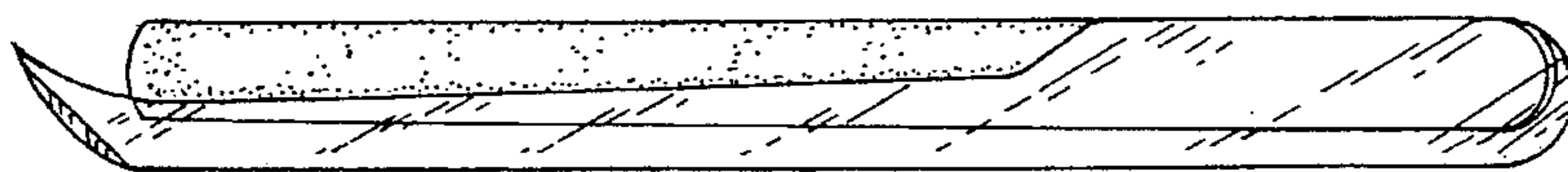


FIG. 14



FIG. 16