



US00D373853S

United States Patent [19]

Melton et al.

[11] Patent Number: **Des. 373,853**

[45] Date of Patent: ****Sep. 17, 1996**

[54] **HANDLE FOR A SURGICAL CLIPPER**

[75] Inventors: **Scott Melton, Eric; Christine M. Wagenknecht**, Milledgeville, both of Ill.

[73] Assignee: **Wahl Clipper Corporation**, Sterling, Ill.

[**] Term: **14 Years**

[21] Appl. No.: **30,172**

[22] Filed: **Oct. 21, 1994**

[52] U.S. Cl. **D28/54**

[58] Field of Search D28/48-53; 30/34.05, 30/34.1, 34.2, 41.5, 41.6, 42, 43, 43.1-43.92, 44, 45, 85, 87, 89, 200-202, 208-210

[56] **References Cited**

U.S. PATENT DOCUMENTS

D. 111,593	10/1938	Bahr	D28/50
D. 150,439	8/1948	Neilsen	D28/51
D. 225,186	11/1972	Ono et al.	D28/46 X
D. 283,061	3/1986	Kitashima et al.	D28/53
D. 290,531	6/1987	Seiffert et al.	D28/49
D. 297,375	8/1988	Liu	D28/49
D. 341,003	11/1993	Murumatsu et al.	D28/49
D. 343,025	1/1994	Sulik	D28/49
1,298,802	4/1919	Sharpnack	30/89 X
1,798,756	3/1931	Redfield	30/210
2,510,951	6/1950	Bleeker et al.	30/89 X

2,556,208	6/1951	Musso	30/42
4,512,077	4/1985	Tanabe et al.	30/43
5,068,966	12/1991	Wahl et al.	30/43.92

FOREIGN PATENT DOCUMENTS

128458	11/1978	Japan	30/34.1
39610	12/1955	Poland	30/43.6
12218	8/1925	United Kingdom	30/89

OTHER PUBLICATIONS

Housewares May 7-13, 1987; p. 52: Wet and Dry shaver.

Primary Examiner—Prabhakar G. Deshmukh

Assistant Examiner—C. Tuttle

Attorney, Agent, or Firm—Greer, Burns & Crain, Ltd.

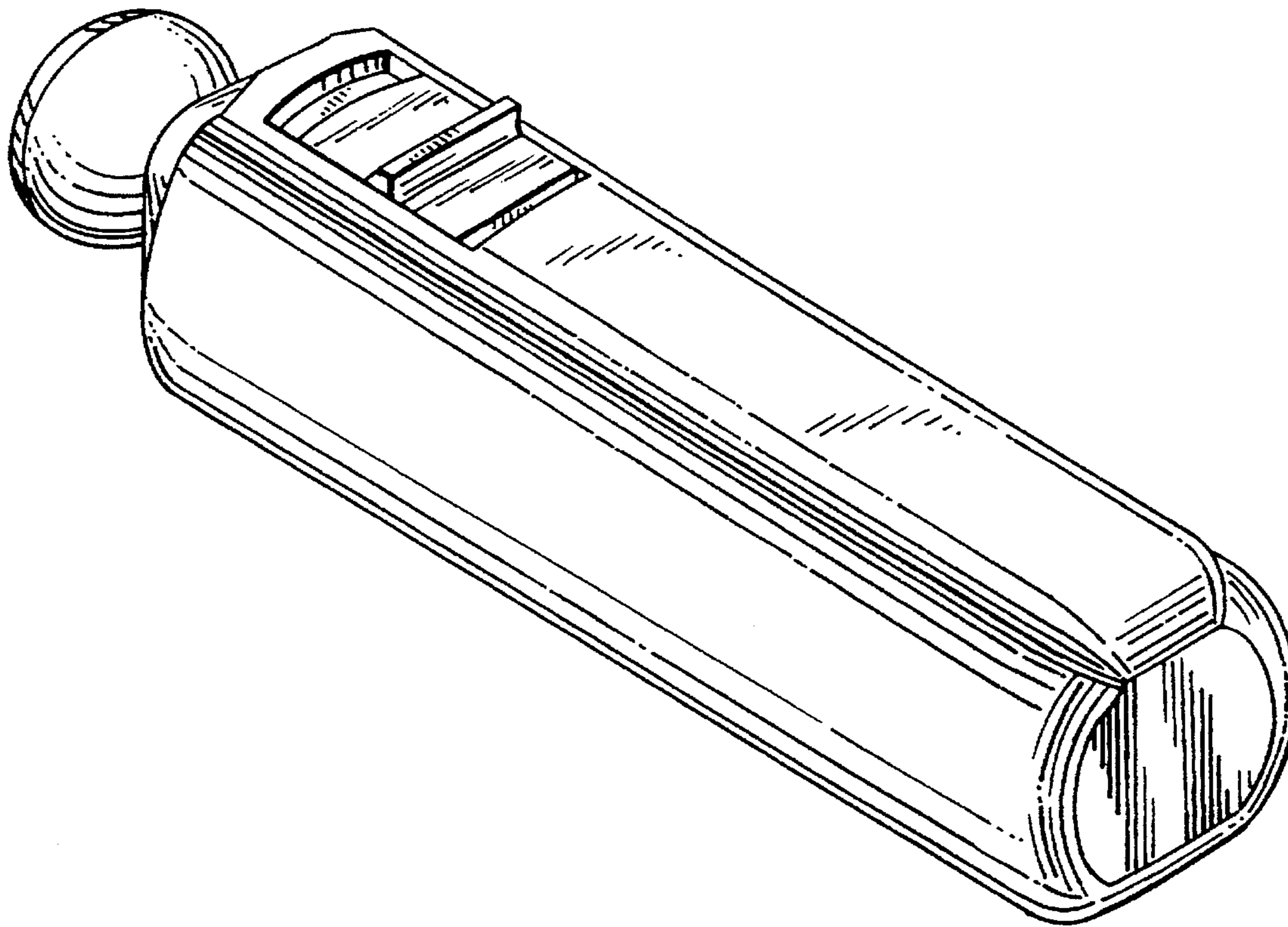
[57] CLAIM

The ornamental design for handle for a surgical clipper, as shown and described.

DESCRIPTION

FIG. 1 is a top perspective view of a handle for surgical clipper showing our new design; FIG. 2 is a top plan view thereof; FIG. 3 is a right side elevational view thereof, the opposite side being a mirror image of the side shown; FIG. 4 is a bottom plan view thereof; FIG. 5 is a front elevational view thereof; and, FIG. 6 is a rear elevational view thereof.

1 Claim, 2 Drawing Sheets



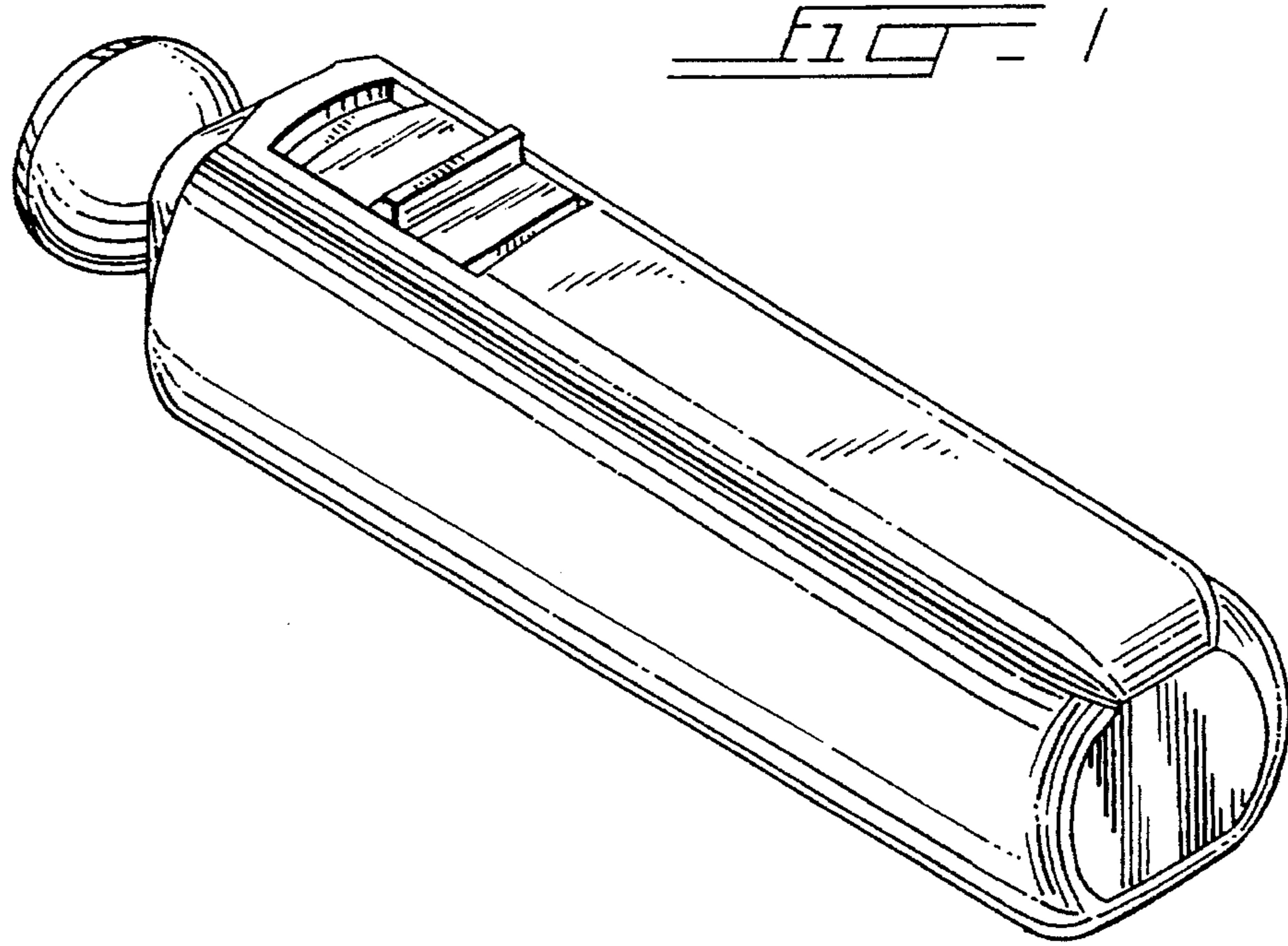


FIG. 1

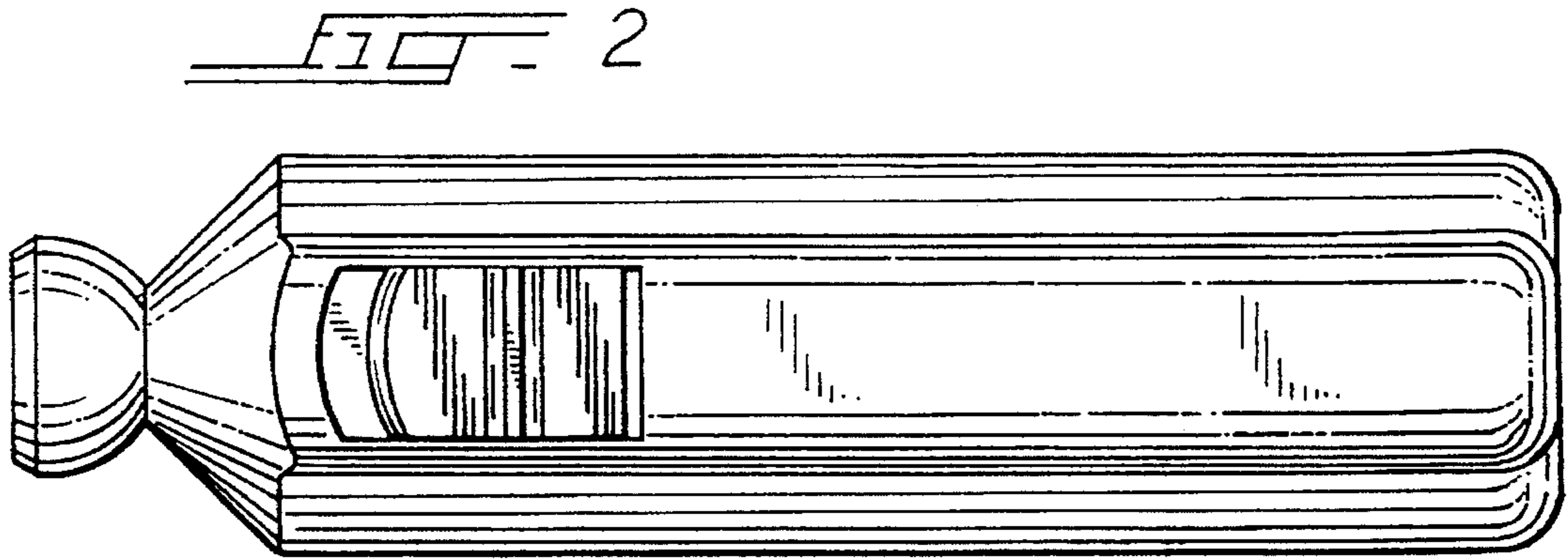


FIG. 2

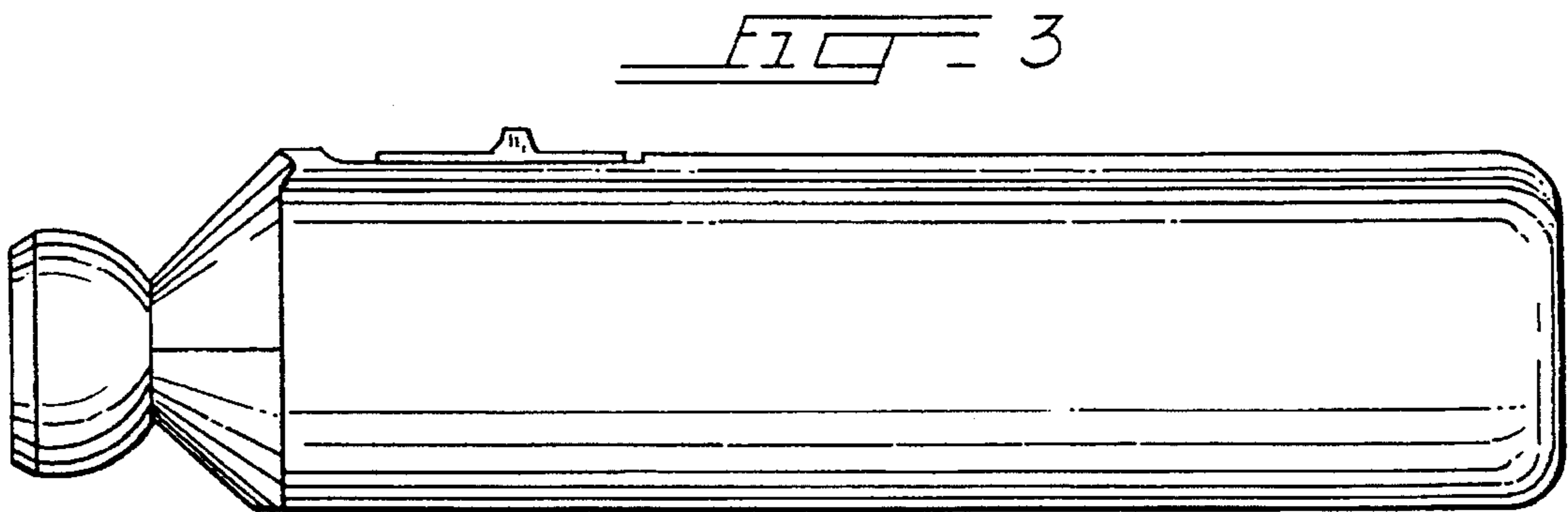


FIG. 3

FIG. 4

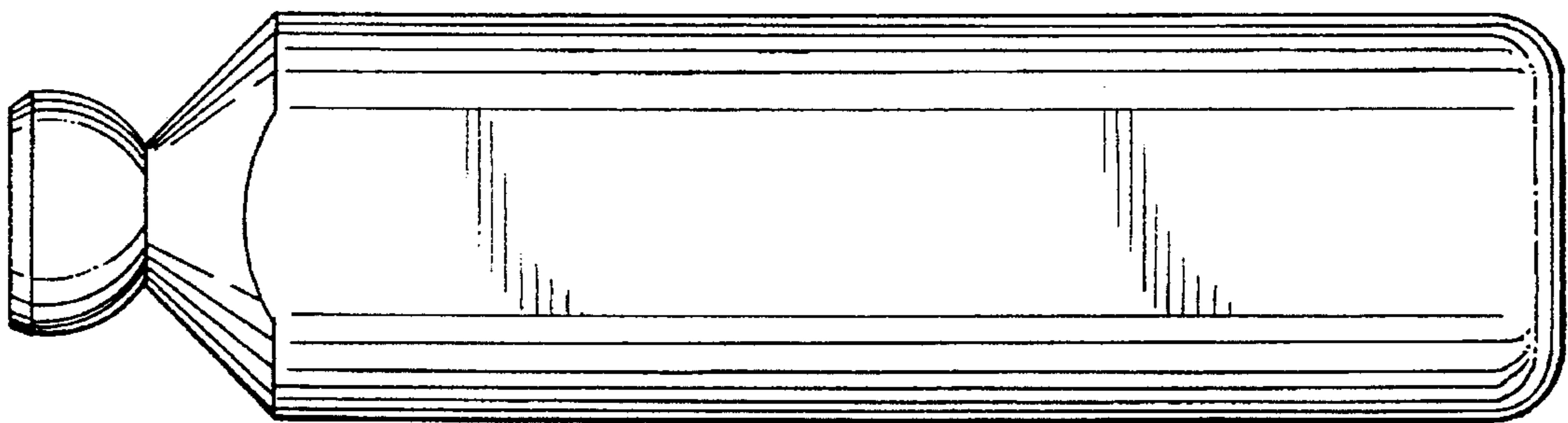


FIG. 5

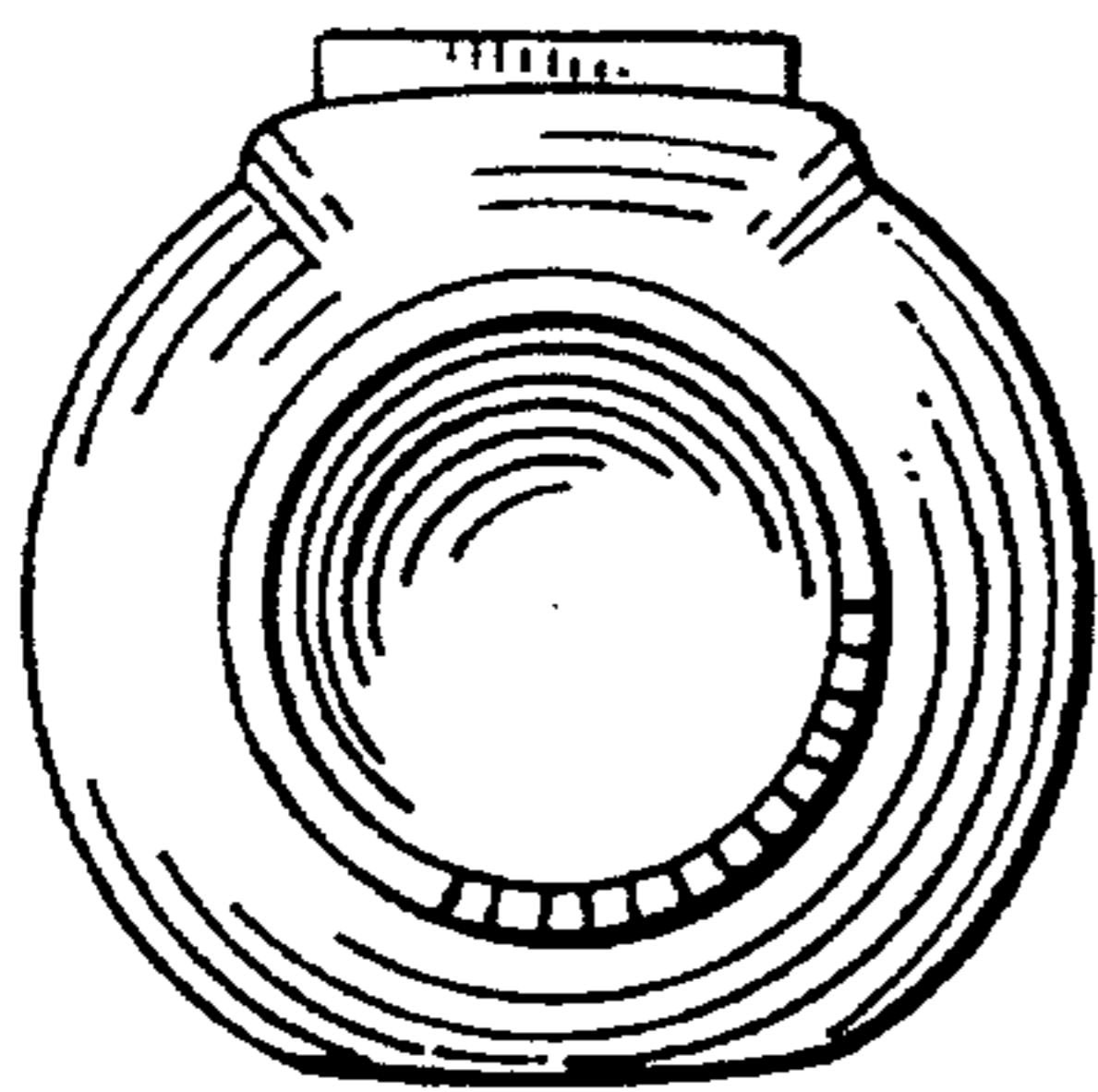
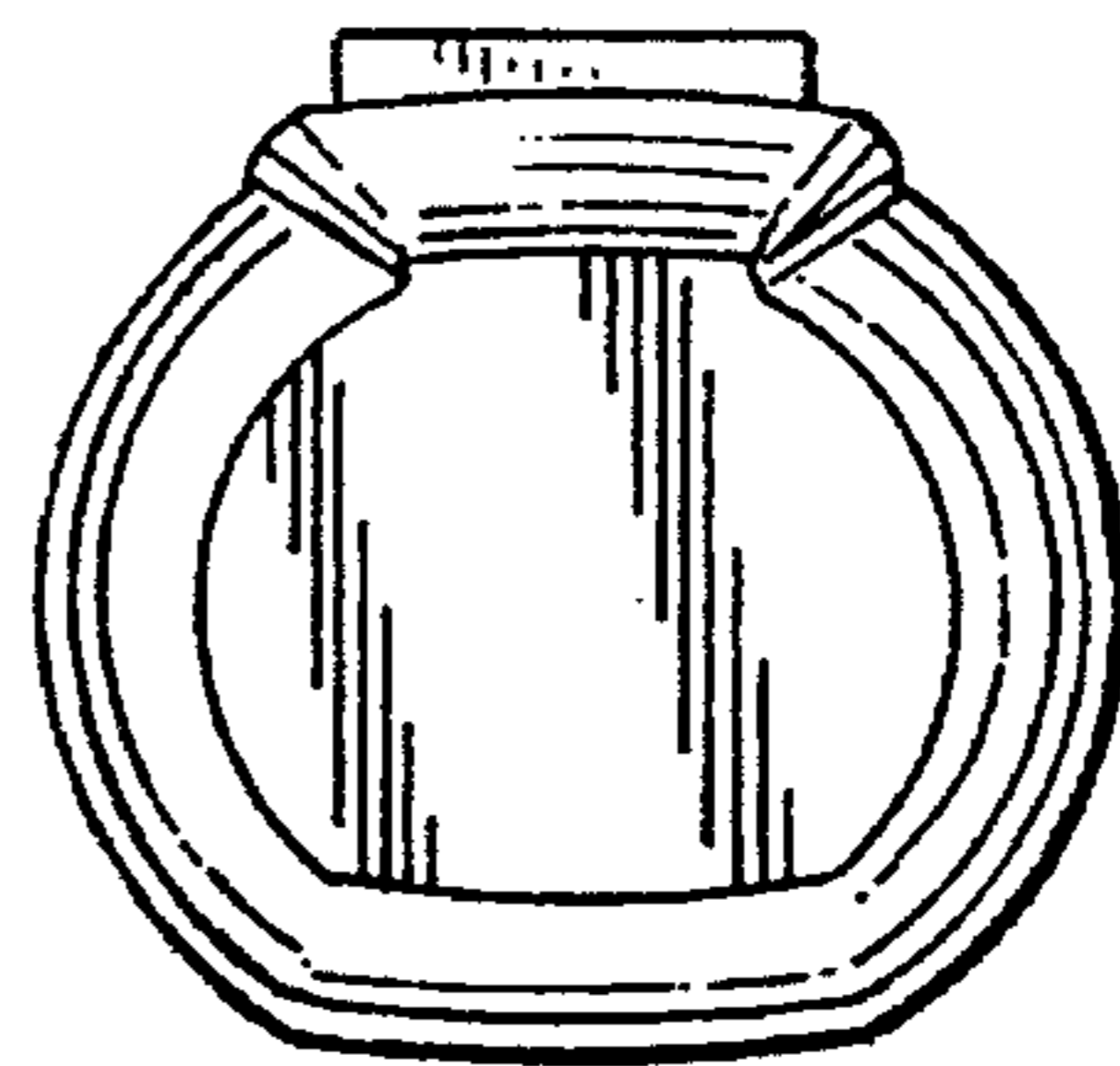


FIG. 6



UNITED STATES PATENT AND TRADEMARK OFFICE
CERTIFICATE OF CORRECTION

PATENT NO. : Des. 373,853
DATED : September 17, 1996
INVENTOR(S) : Melton et al.

It is certified that error appears in the above-identified patent and that said Letters Patent is hereby corrected as shown below:

On the Title Page:

Under "[57] Claim", before "handle", insert -

-a--.

Under "[57] Description" for "FIG. 1",

before "surgical", insert --a--.

Signed and Sealed this
Twenty-sixth Day of August, 1997

Attest:



BRUCE LEHMAN

Attesting Officer

Commissioner of Patents and Trademarks