



US00D373848S

United States Patent [19] Path

[11] **Patent Number: Des. 373,848**
[45] **Date of Patent: **Sep. 17, 1996**

[54] **AUTOMATIC HAIR CURLER**

[76] Inventor: **Patricia A. Path**, 1936 Wood St.,
Muskegon, Mich. 49442

[**] Term: **14 Years**

[21] Appl. No.: **40,044**

[22] Filed: **Jun. 8, 1995**

[52] U.S. Cl. **D28/35; D28/38**

[58] Field of Search **D28/10, 35, 37,
D28/38; 132/237, 238, 226-229, 265, 266,
269, 212**

[56] **References Cited**

U.S. PATENT DOCUMENTS

2,514,244	7/1950	Kemp	132/238
2,573,456	10/1951	Kutzler et al.	132/238
3,057,363	10/1962	Talbot	132/238 X
3,413,984	12/1968	Tracy et al.	132/238
4,148,330	4/1979	Gnaga	132/238
4,884,583	12/1989	Long, Jr.	132/238
5,119,847	6/1992	Powell et al.	132/238 X

FOREIGN PATENT DOCUMENTS

633244	12/1949	United Kingdom	132/238
--------	---------	----------------	---------

Primary Examiner—Ted Shooman
Assistant Examiner—C. Tuttle
Attorney, Agent, or Firm—James A. Hudak

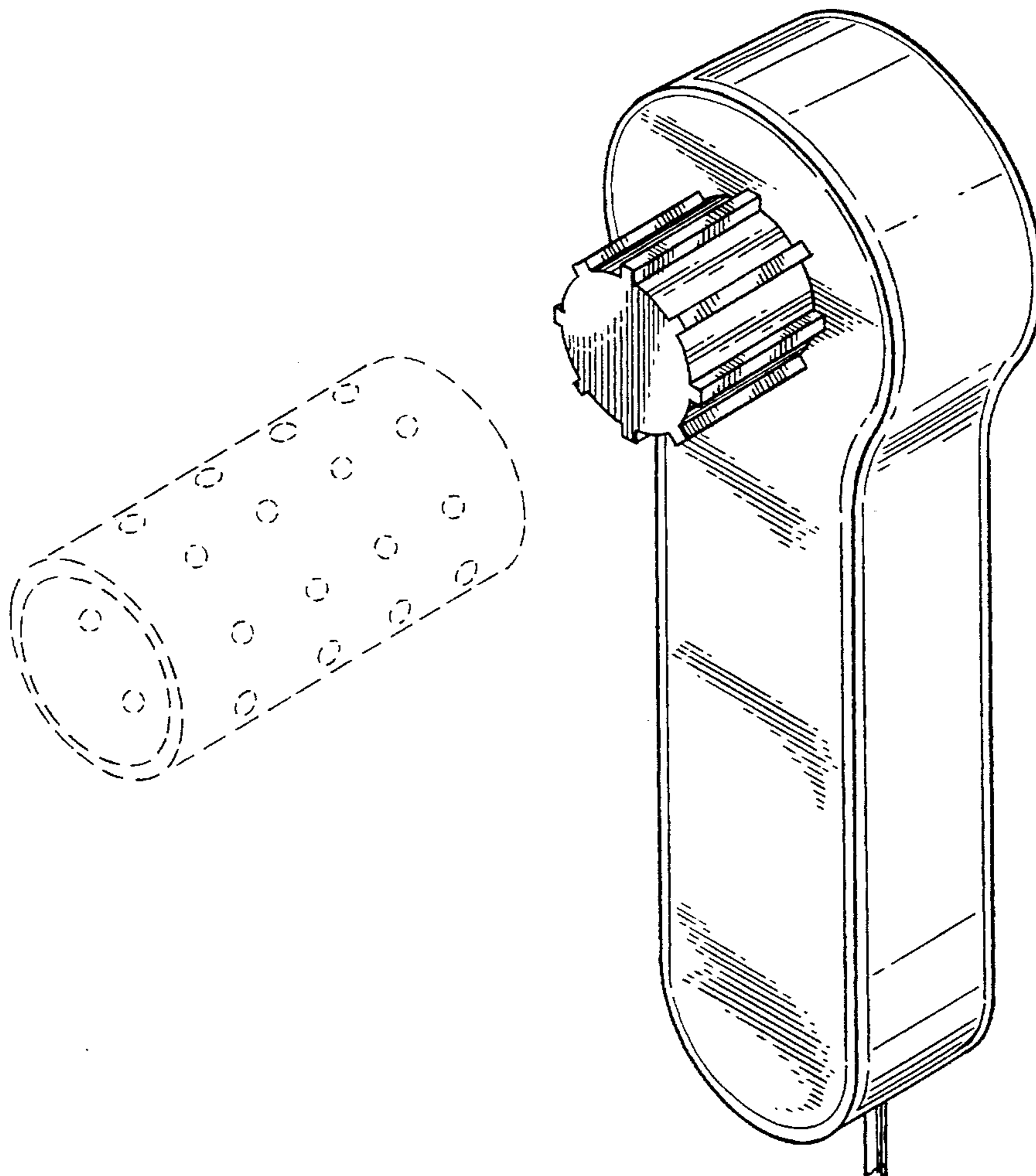
[57] **CLAIM**

The ornamental design for an automatic hair curler, as shown and described.

DESCRIPTION

FIG. 1 is a perspective view of the automatic hair curler showing my new design;
FIG. 2 is a front elevational view thereof;
FIG. 3 is a rear elevational view thereof;
FIG. 4 is a right side elevational view thereof, the left side elevational view being a mirror image of the view shown in this Figure;
FIG. 5 is a top plan view thereof; and,
FIG. 6 is a bottom plan view thereof.
The broken line showing of the roller is for illustrative purposes only and forms no part of the claimed design.
The cord in shown partially broken away in the various views to indicate indeterminate length.

1 Claim, 3 Drawing Sheets



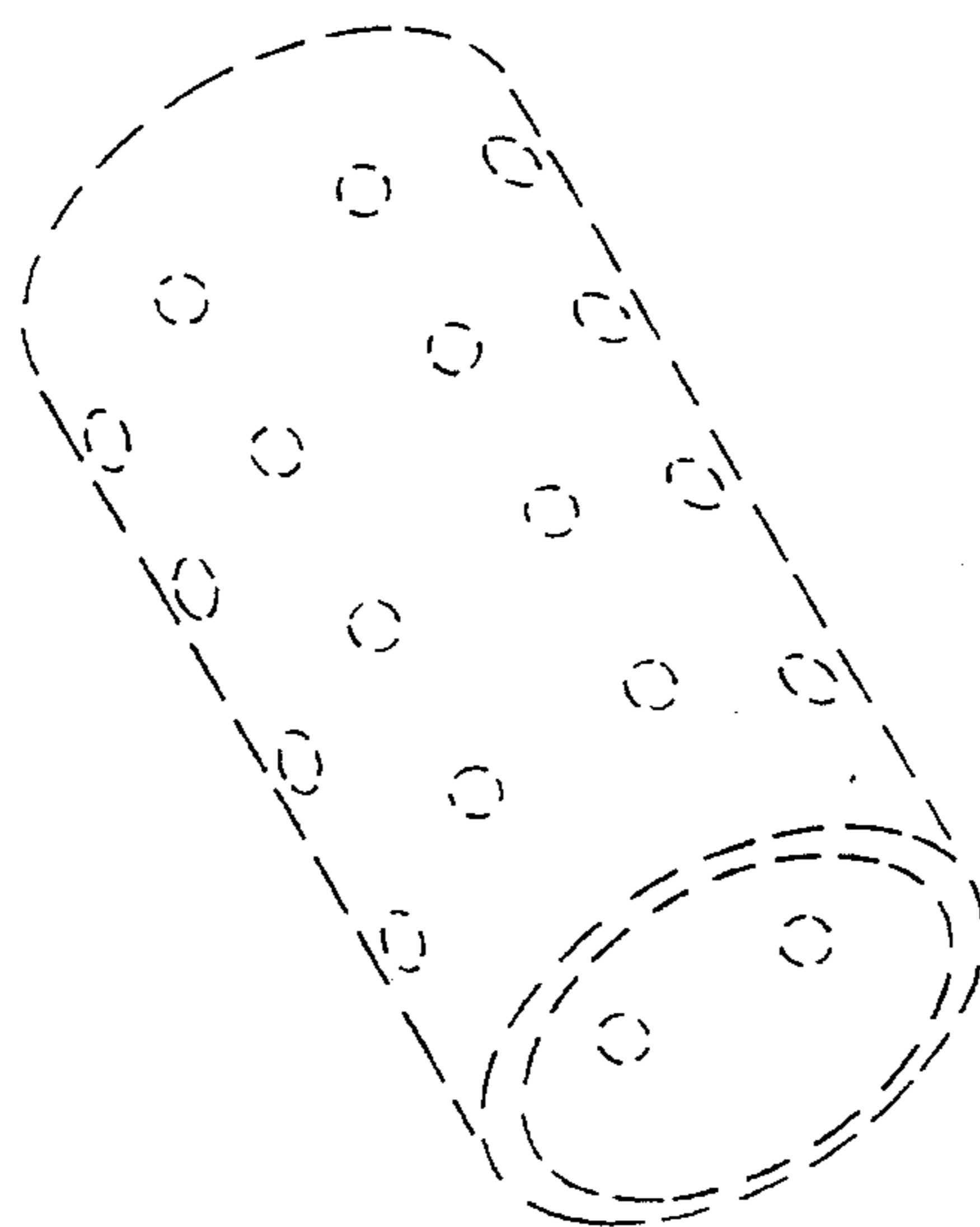
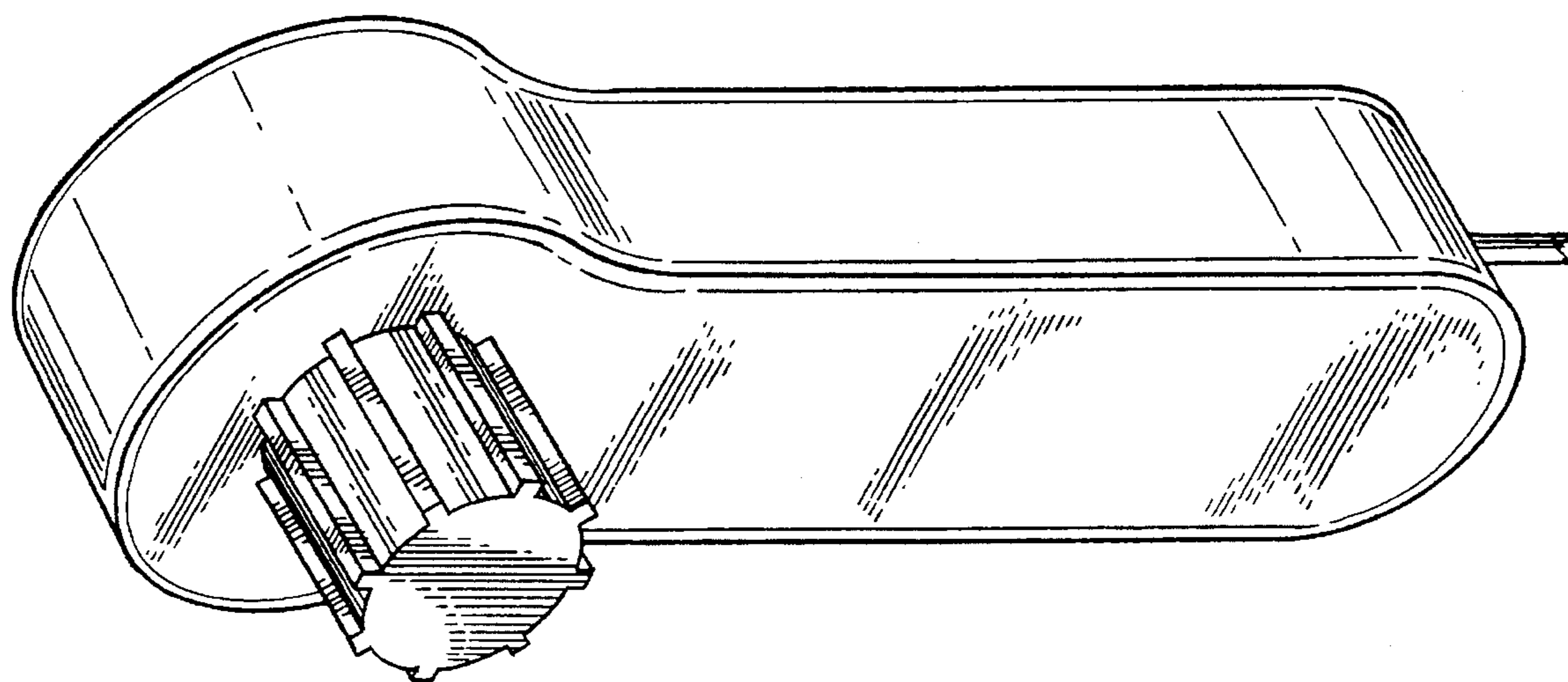


FIG.1



FIG. 4

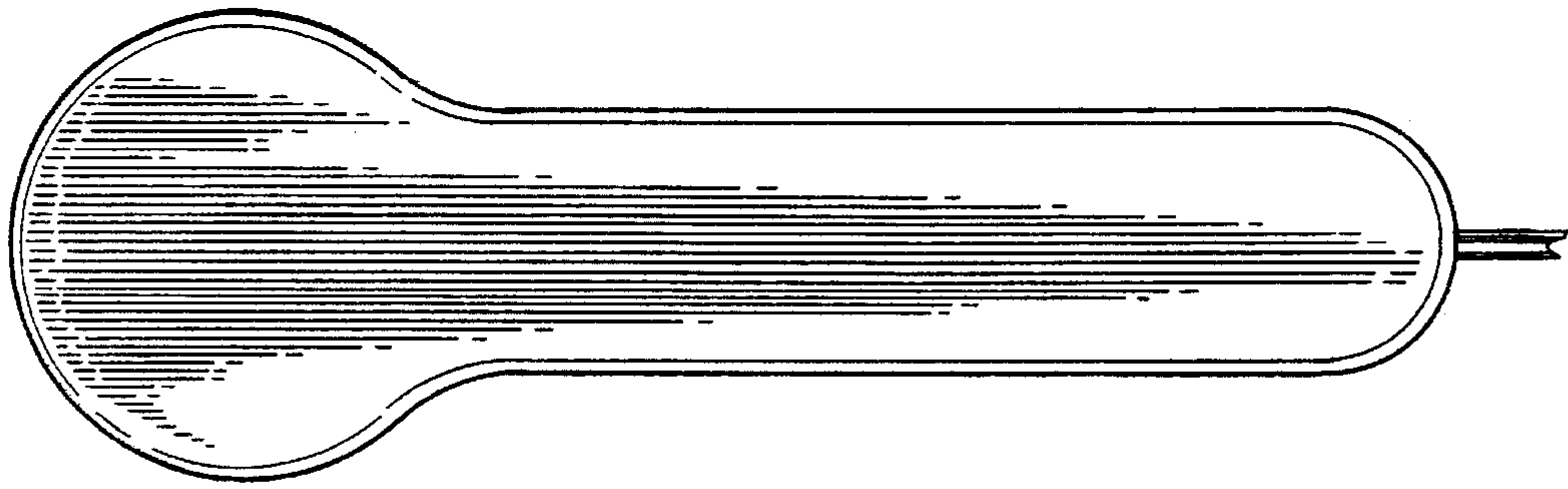


FIG. 3

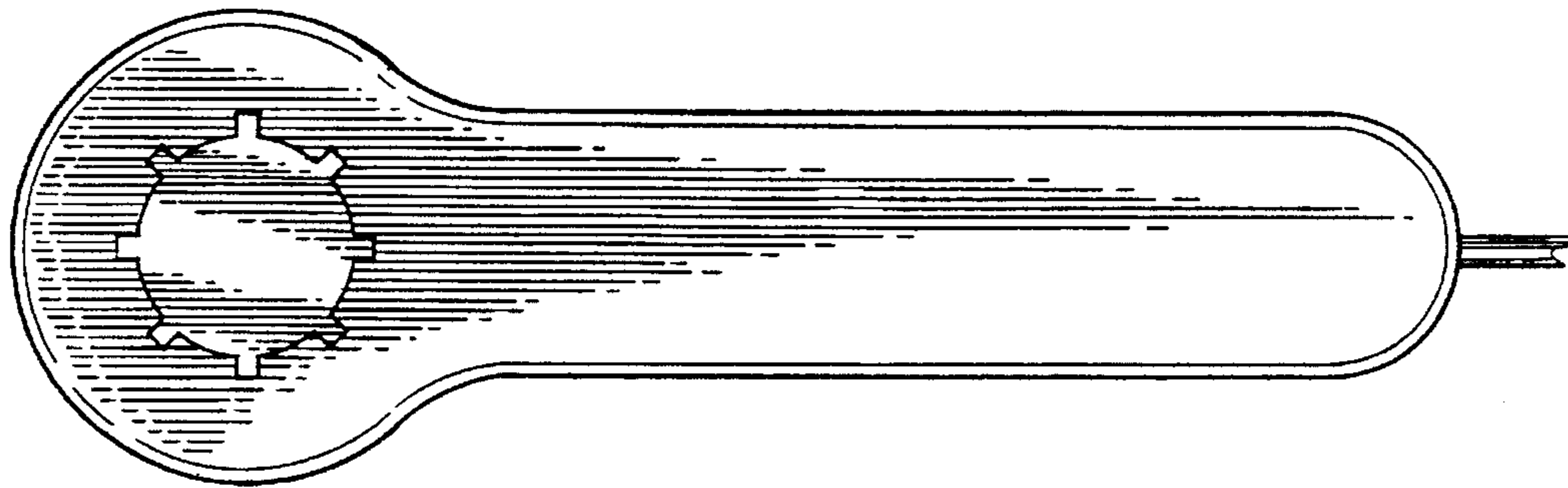


FIG. 2

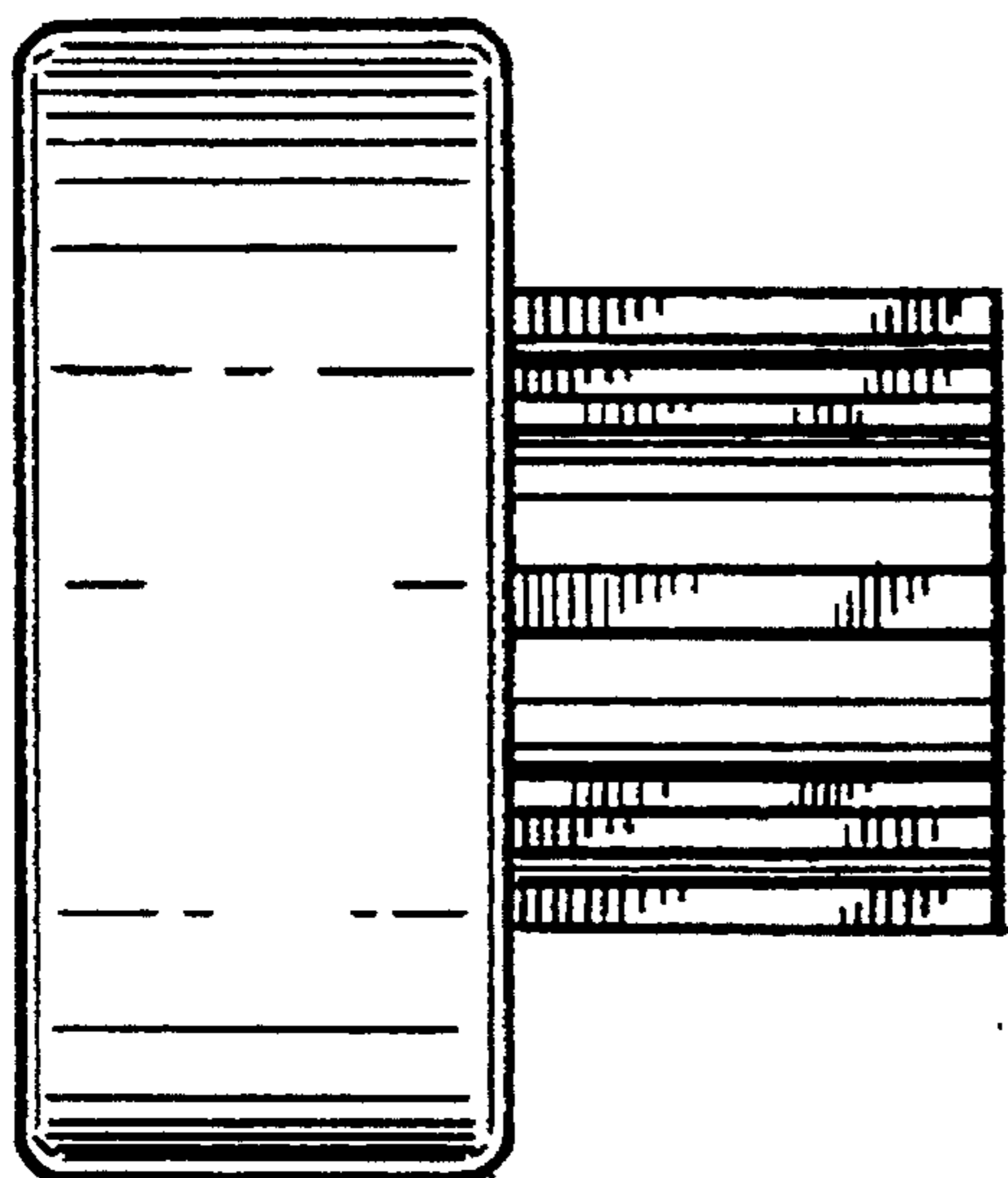


FIG. 5

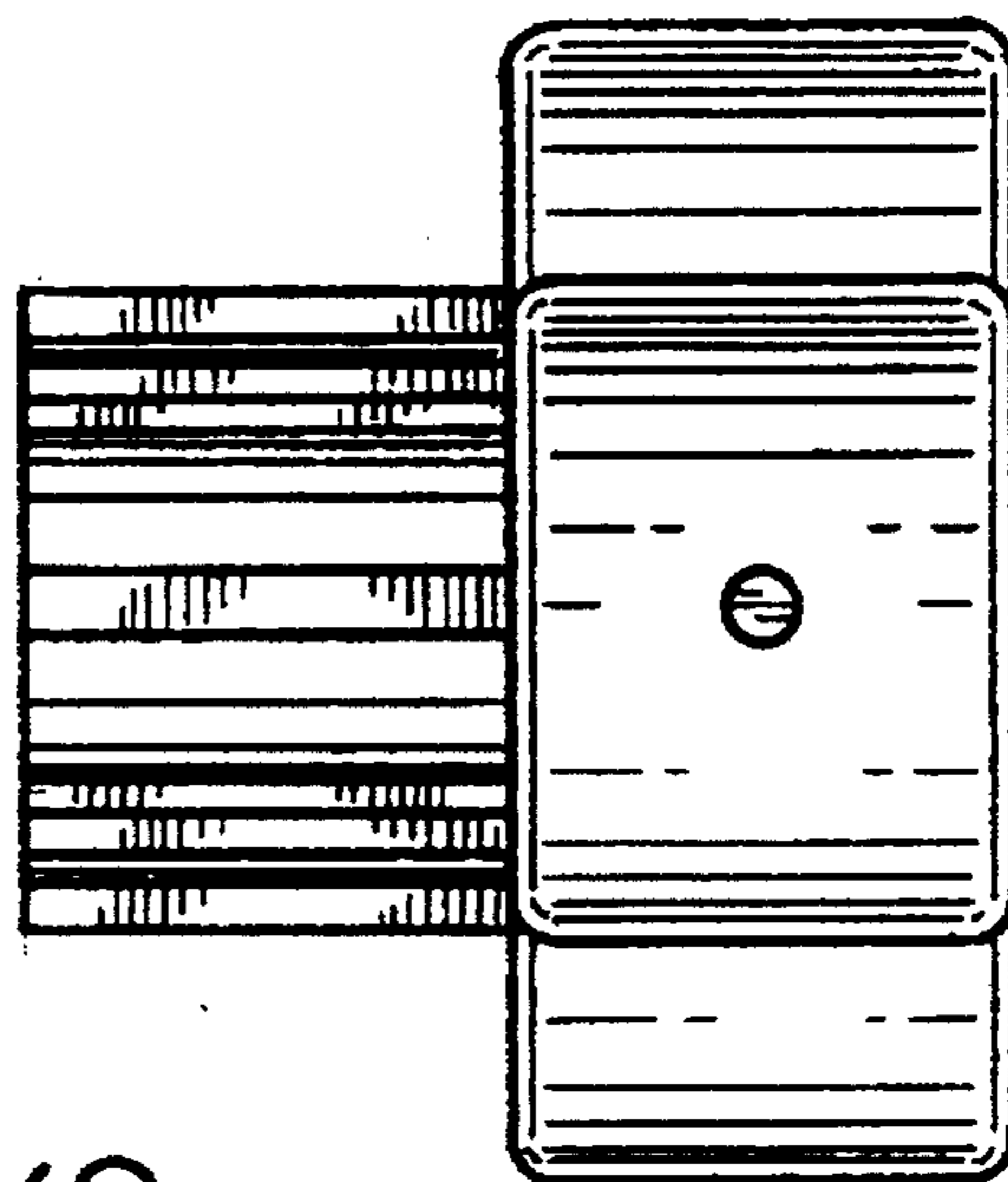


FIG. 6