



US00D373844S

United States Patent [19]
Miranda

[11] **Patent Number: Des. 373,844**
[45] **Date of Patent: **Sep. 17, 1996**

[54] **LIGHTING FIXTURE PAN**
[75] Inventor: **Pasquale Miranda**, Briarcliff Manor,
N.Y.
[73] Assignee: **Murray Feiss Import Corp.**, Bronx,
N.Y.
[**] Term: **14 Years**
[21] Appl. No.: **35,648**
[22] Filed: **Mar. 3, 1995**
[52] U.S. Cl. **D26/149; D8/352**
[58] **Field of Search** **D26/72, 80-92,**
D26/142, 143, 145, 149; 362/147, 432,
404-408; D8/350, 352

4,001,574 1/1977 Porter et al. 362/404
5,349,513 9/1994 Taylor, III 362/404

OTHER PUBLICATIONS

Lightolier Catalog, p. 31, ceiling lamp housing #5057.

Primary Examiner—Susan J. Lucas
Attorney, Agent, or Firm—Darby & Darby

[57] **CLAIM**

The ornamental design for a lighting fixture pan, as shown and described.

DESCRIPTION

FIG. 1 is a perspective view of my new design;
FIG. 2 is a combined side elevation and cross-section along
line 2—2 of FIG. 3 view thereof; and
FIG. 3 is a bottom plan view thereof.

[56] **References Cited**

U.S. PATENT DOCUMENTS

D. 234,798 4/1975 De John D26/149

1 Claim, 2 Drawing Sheets

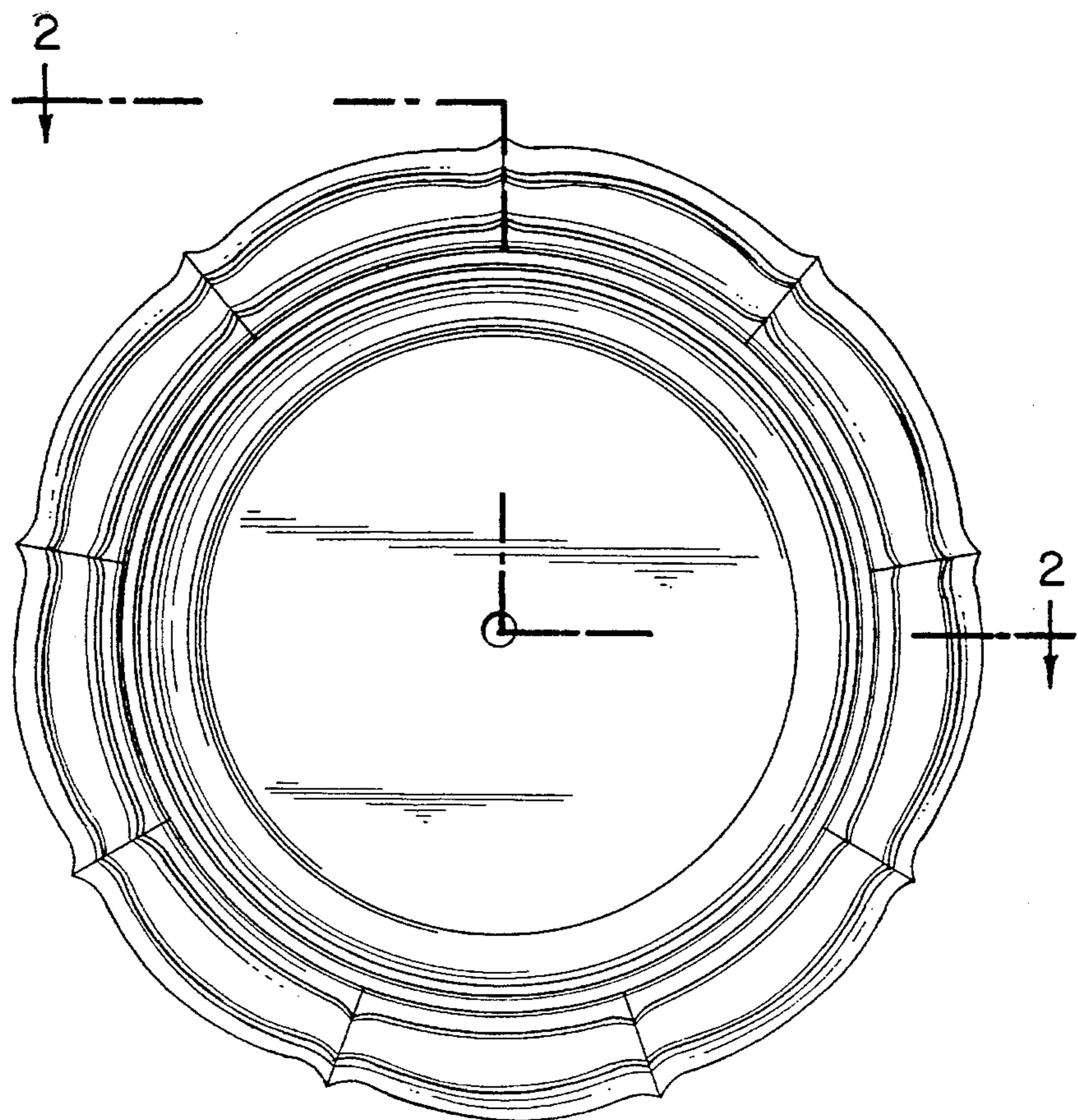
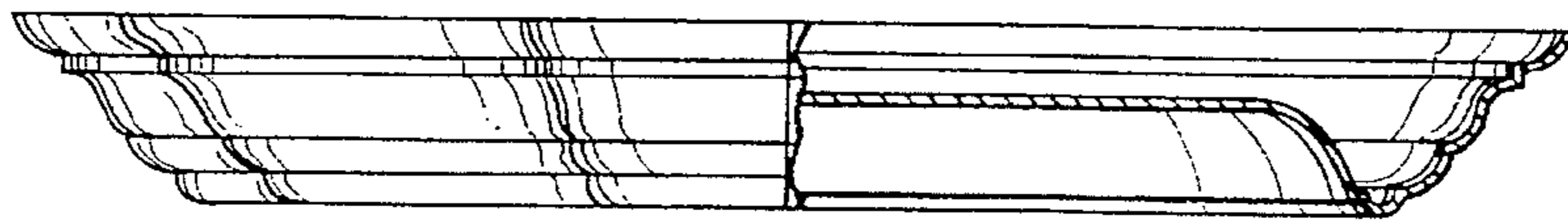


FIG. 1

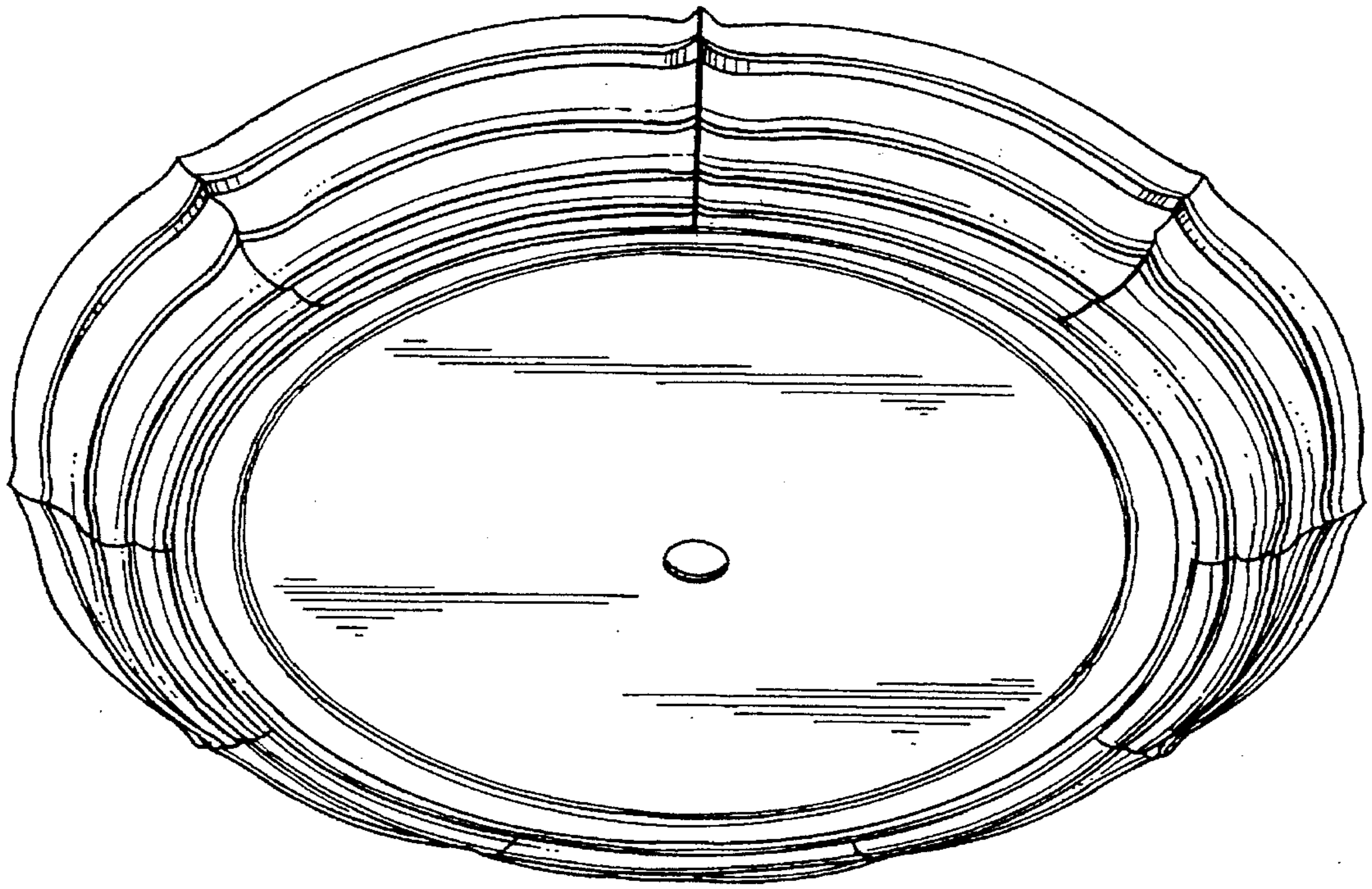


FIG. 2

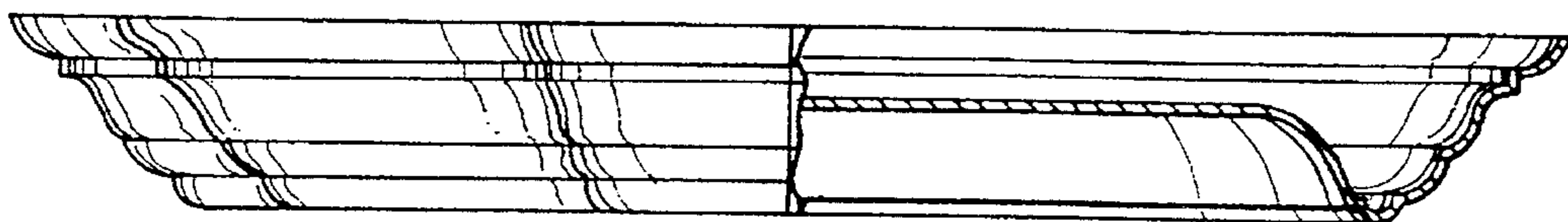


FIG. 3

