



US00D373837S

United States Patent [19]
Milicia

[11] **Patent Number: Des. 373,837**
[45] **Date of Patent: **Sep. 17, 1996**

[54] **FACETED CANDLE FOLLOWER**
[75] Inventor: **Libbe A. Milicia**, Garfield Heights, Ohio
[73] Assignee: **The L.D. Kichler Co.**, Cleveland, Ohio
[**] Term: **14 Years**
[21] Appl. No.: **39,335**
[22] Filed: **May 24, 1995**
[52] **U.S. Cl.** **D26/23**
[58] **Field of Search** D26/6-10, 16, D26/23, 113; 431/288-293, 125; D7/631-2

Assistant Examiner—Robin V. Taylor
Attorney, Agent, or Firm—Watts, Hoffmann, Fisher & Heinke

[57] **CLAIM**

The ornamental design for a faceted candle follower, as shown and described.

DESCRIPTION

FIG. 1 is a perspective view of a lighting fixture comprising a faceted candle follower showing my new design;

FIG. 2 is a front elevational view of the faceted candle follower, the rear elevational view being a mirror image;

FIG. 3 is a top plan view of the faceted candle follower; and,

FIG. 4 is a bottom plan view of the faceted candle follower.

The broken line showing of a candle and candle holder is for illustrative purposes only and forms no part of the claimed design.

[56] **References Cited**

U.S. PATENT DOCUMENTS

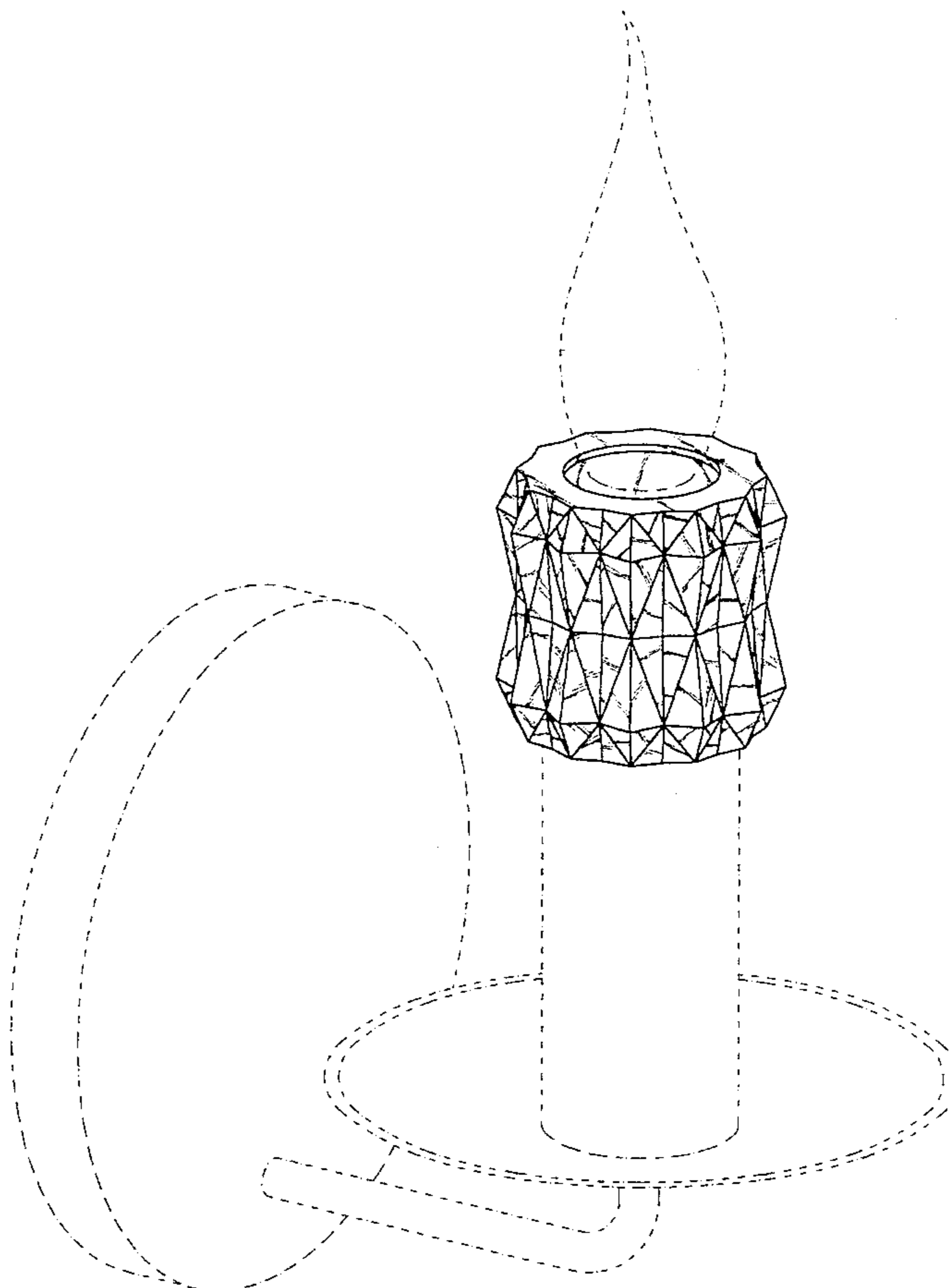
D. 294,070	2/1988	Vandrilla	D26/23
403,509	5/1889	Bove	431/293
510,907	12/1893	French	431/293
2,503,236	4/1950	Churchill	431/293
3,071,952	1/1963	Churchill	431/293

OTHER PUBLICATIONS

#9194, Crisa, p. 123, Home Lighting and Accessories, Feb. 1990.

Primary Examiner—Susan J. Lucas

1 Claim, 2 Drawing Sheets



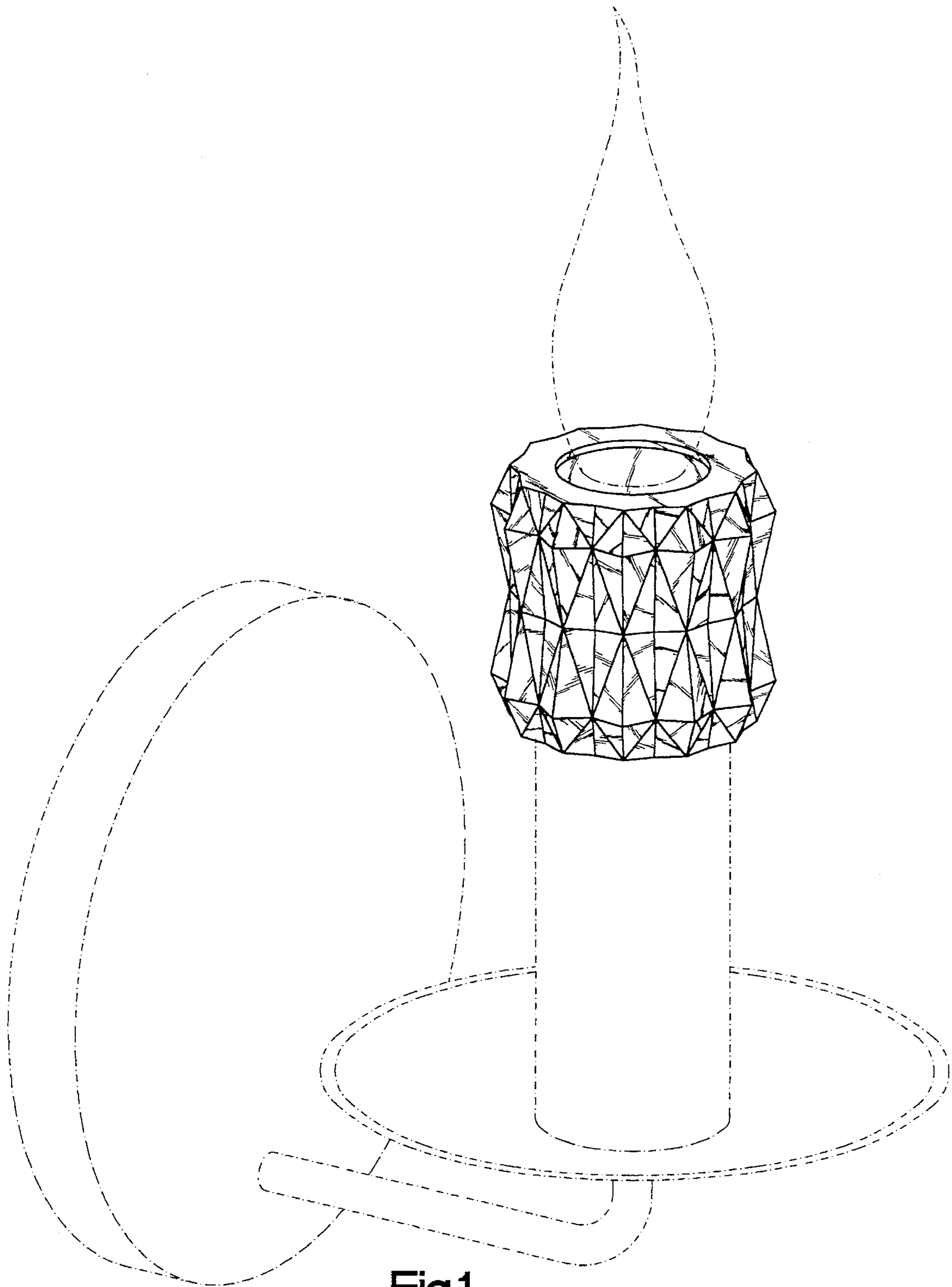


Fig.1

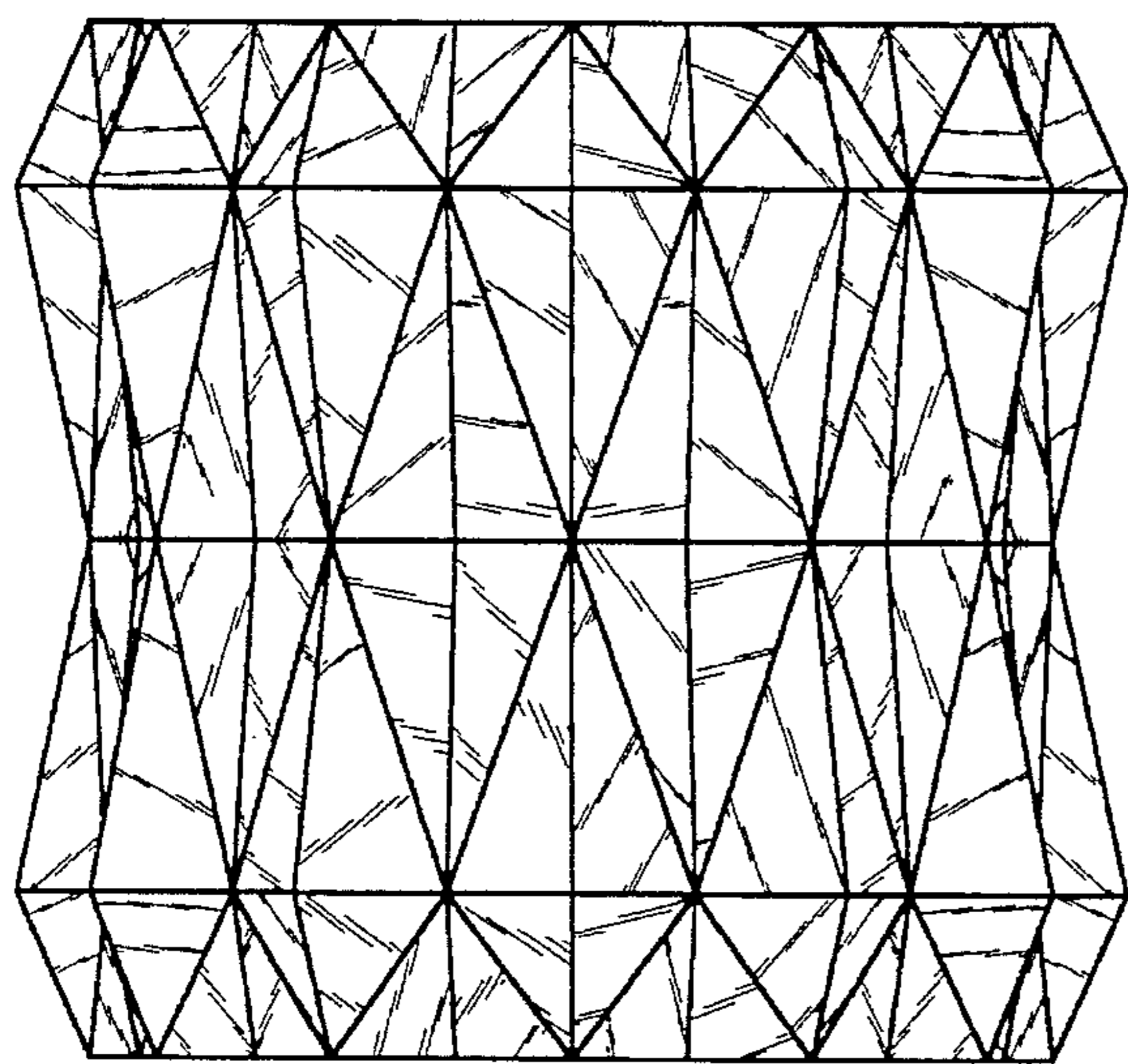


Fig.2

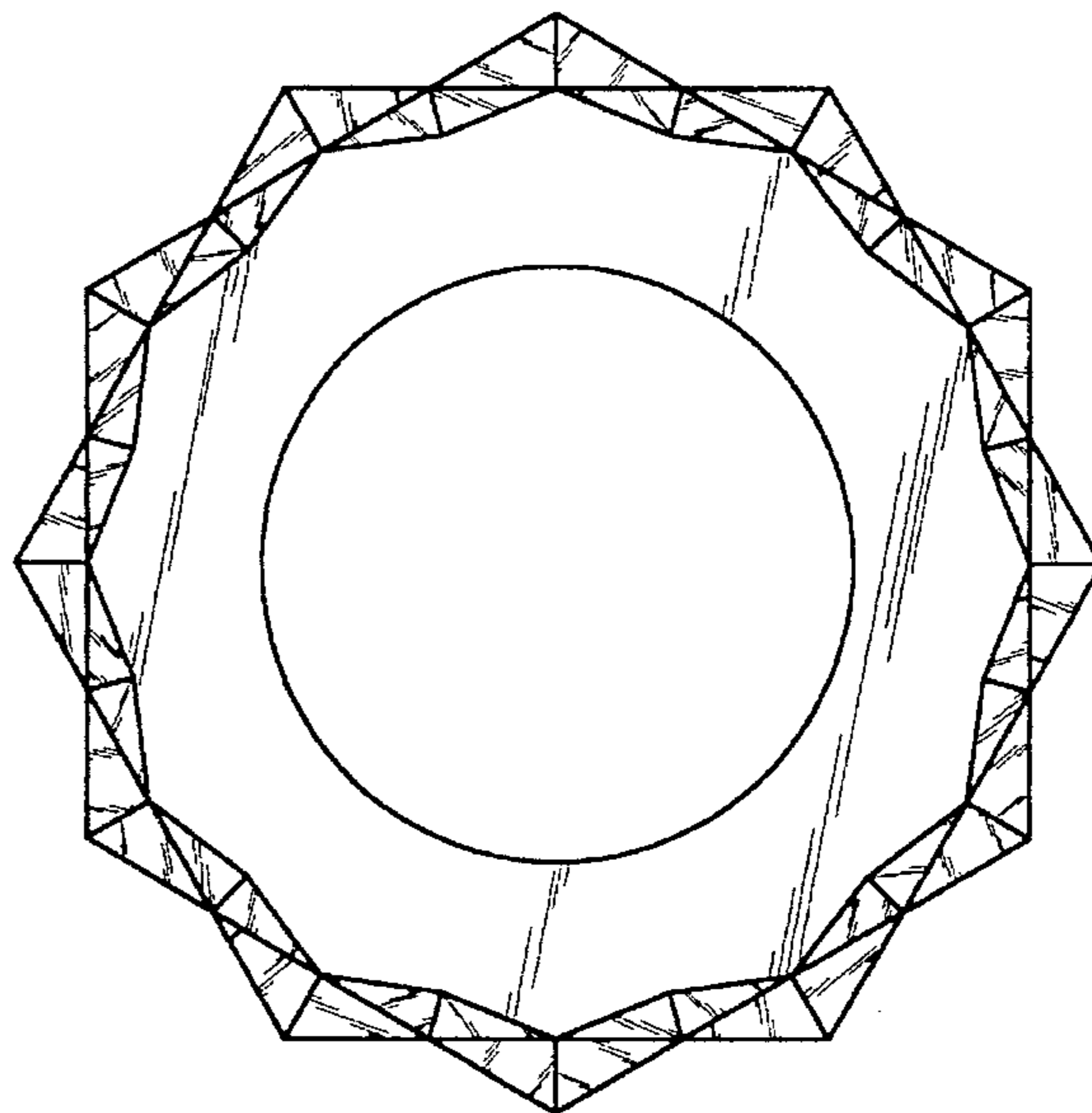


Fig.3

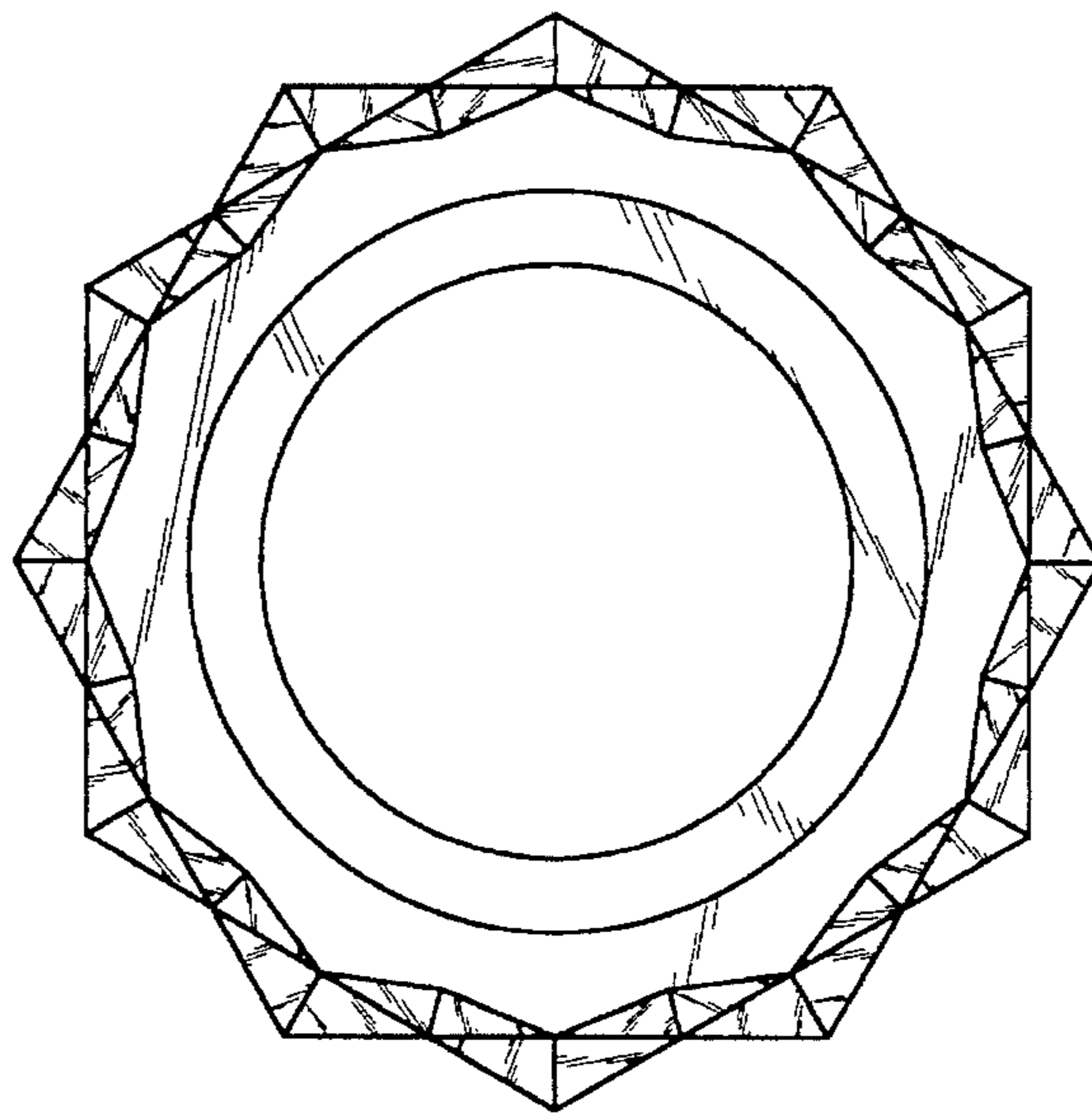


Fig.4