



US00D373836S

# United States Patent [19]

Bado et al.

[11] Patent Number: **Des. 373,836**

[45] Date of Patent: **\*\*Sep. 17, 1996**

[54] **GROOVED CLADDING BOARD**

D. 341,217 11/1993 Wolf ..... D25/138  
4,189,890 2/1980 Bains et al. .... 52/584.1

[75] Inventors: **John Bado**, Greenfield Park; **Joseph E. Zarb**, Fairfield West, both of Australia

*Primary Examiner*—Antoine Duval Davis  
*Attorney, Agent, or Firm*—Weingarten, Schurgin, Gagnebin & Hayes

[73] Assignee: **James Hardie Research Pty Limited**, Sydney, Australia

[\*\*] Term: **14 Years**

[57] **CLAIM**

[21] Appl. No.: **28,865**

The ornamental design for a grooved cladding board, as shown.

[22] Filed: **Sep. 23, 1994**

**DESCRIPTION**

[30] **Foreign Application Priority Data**

FIG. 1 is a perspective view of a grooved cladding board;  
FIG. 2 is a front view;  
FIG. 3 is a rear view;  
FIG. 4 is a plan view;  
FIG. 5 is an underside view; and,  
FIG. 6 is a right hand end view.

Mar. 29, 1994 [AU] Australia ..... 1011/94

[52] U.S. Cl. .... **D25/138**

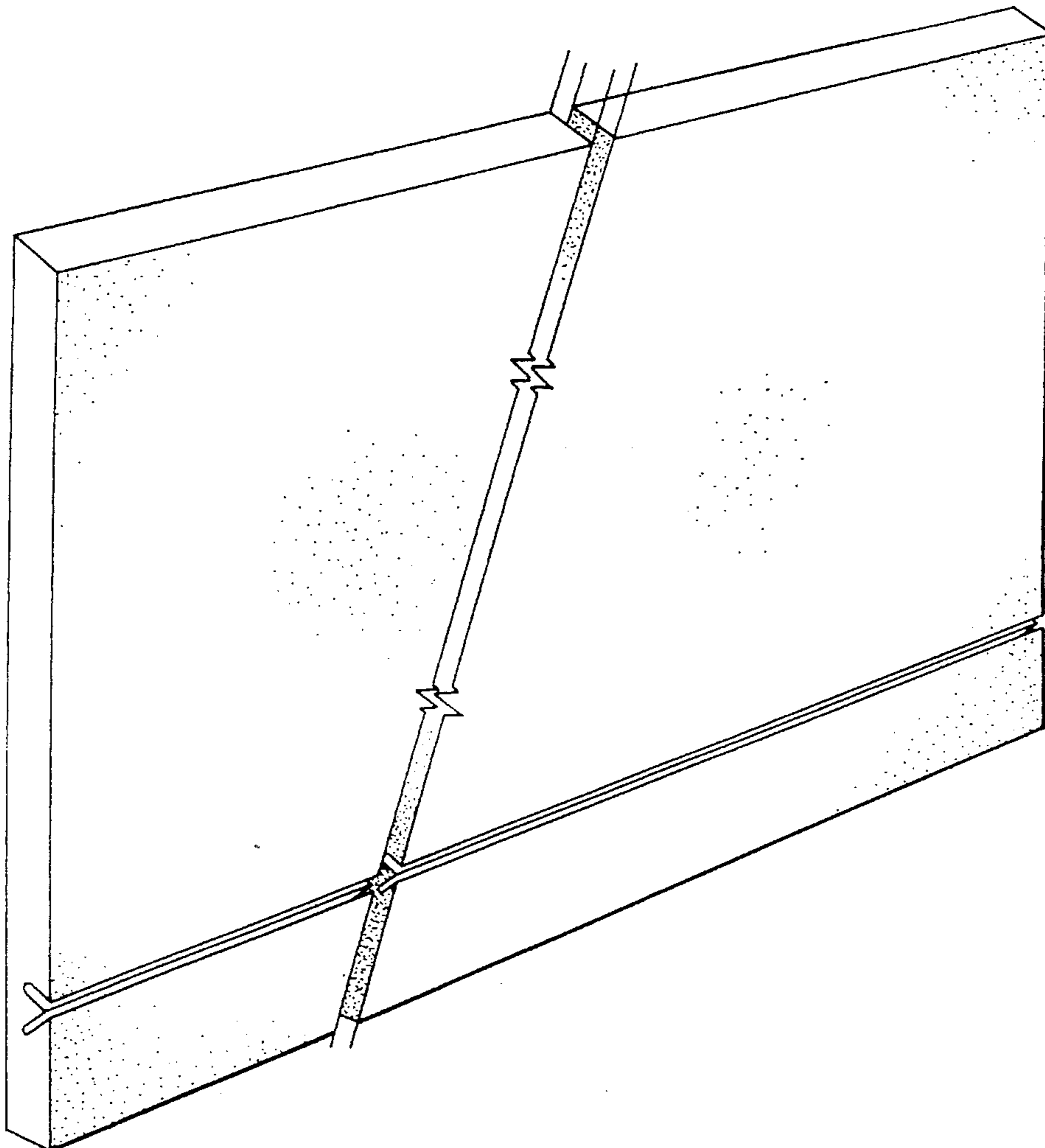
[58] Field of Search ..... D6/332; D25/138;  
52/238.1, 239, 584.1, 582.1, 582.2, 583.1,  
584.1, 587.1, 586.1, 586.2, 585.1

[56] **References Cited**

**U.S. PATENT DOCUMENTS**

D. 299,794 2/1989 Helstad ..... D6/332

**1 Claim, 2 Drawing Sheets**



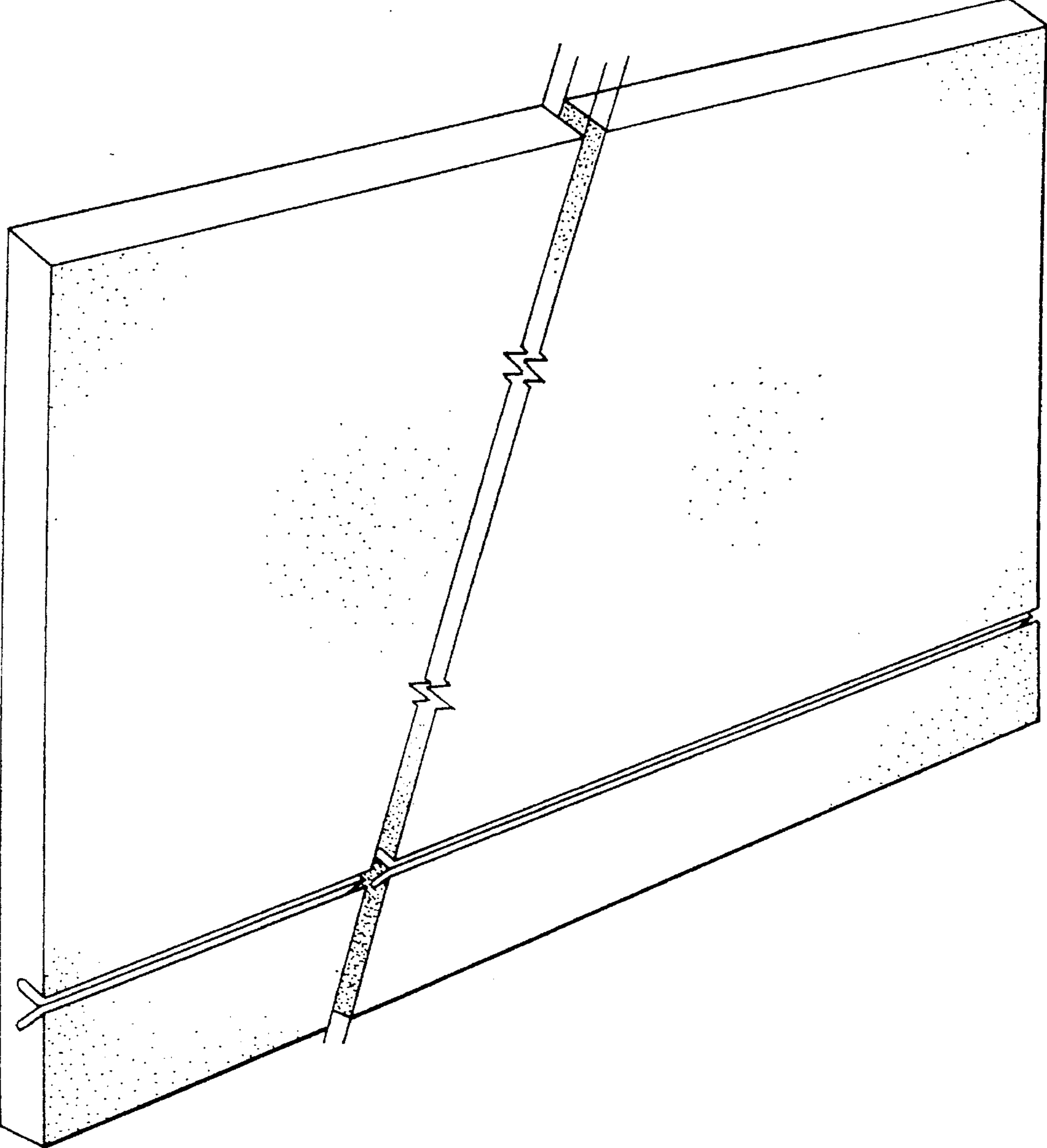


FIG. 1

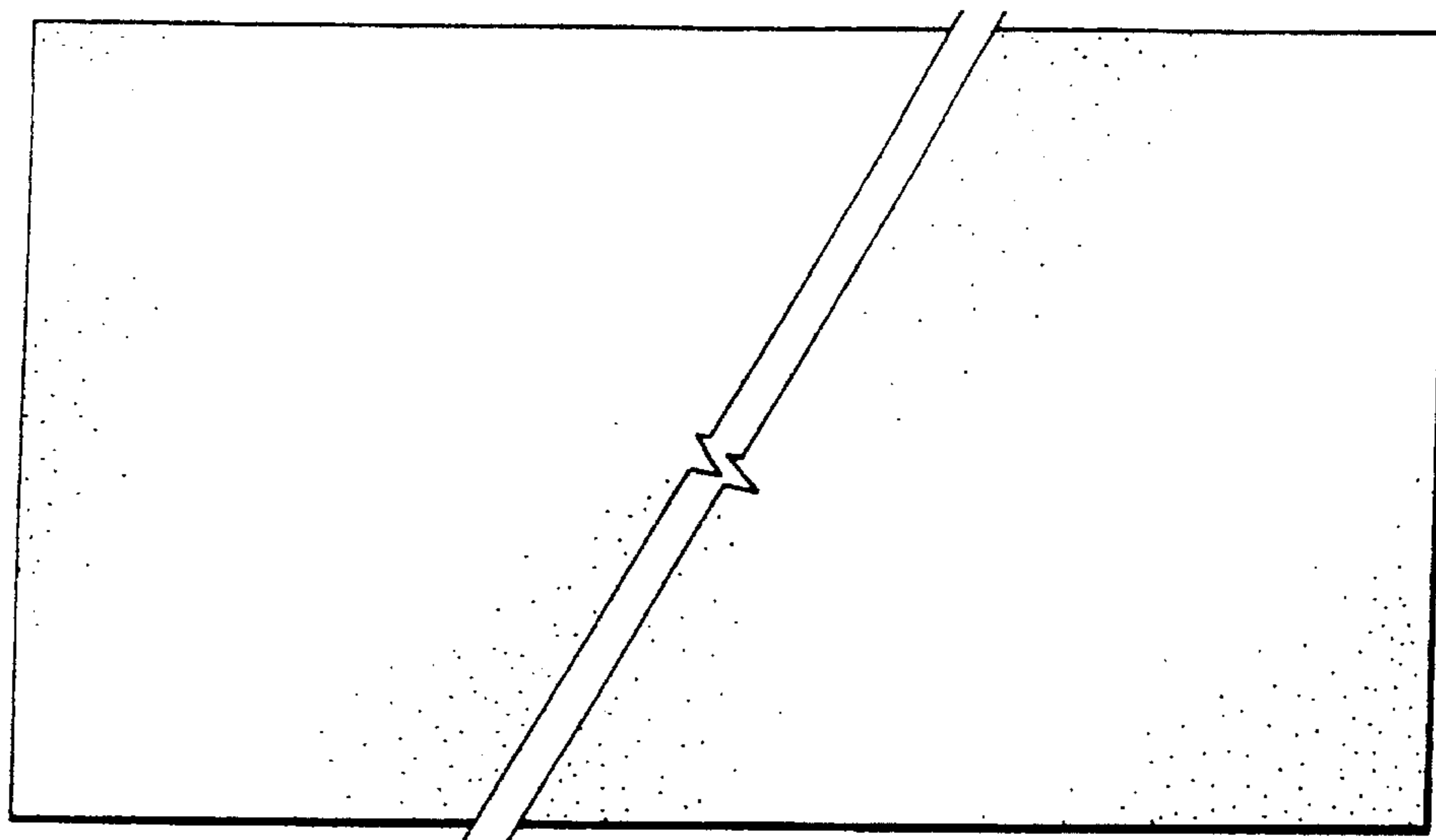


FIG. 2



FIG. 6

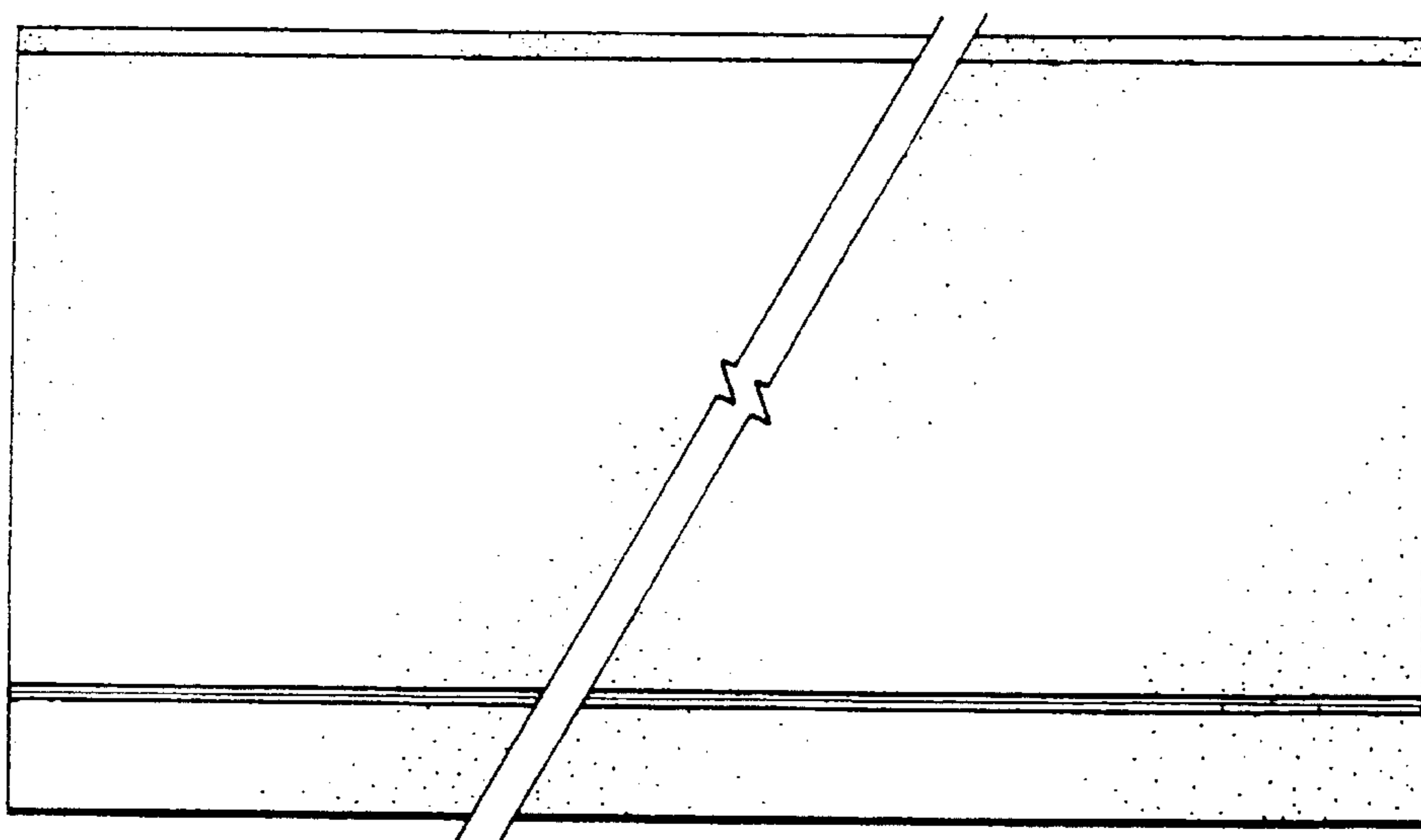


FIG. 3



FIG. 4



FIG. 5