



US00D373834S

**United States Patent** [19]  
**McMillian et al.**

[11] **Patent Number: Des. 373,834**  
[45] **Date of Patent: \*\*Sep. 17, 1996**

[54] **ADJUSTABLE HANDRAIL POST**

[76] Inventors: **James D. McMillian**, 6406 Elkhart,  
Lubbock, Tex. 79424; **Virgil R. Wages**,  
4910 7th St., Lubbock, Tex. 79416;  
**Walton J. Austin**, 519 40th St.,  
Lubbock, Tex. 79404

[\*\*] Term: **14 Years**

[21] Appl. No.: **37,914**

[22] Filed: **Apr. 24, 1995**

[52] U.S. Cl. .... **D25/126; D25/131**

[58] Field of Search ..... **D25/133, 134,**  
**D25/126-127, 131; 248/237; 52/749.1,**  
**748.1, 720.2, 720.1, 736.3, 736.1, 301,**  
**93.1; 182/3, 45; 256/DIG. 5, DIG. 6; D8/349**

[56] **References Cited**

**U.S. PATENT DOCUMENTS**

822,658	6/1906	Emberson .	
1,152,685	9/1915	Winn et al. .	
1,363,864	12/1920	Grush .	
2,871,927	2/1959	Materi .	
3,880,405	4/1975	Brueske .....	248/237
3,891,189	6/1975	Russo .....	D25/131

4,607,724	8/1986	Hillberg .	
4,979,725	12/1990	Hutchings, II et al. ....	248/237
5,029,670	7/1991	Whitmer .....	182/3
5,143,170	9/1992	Hunt et al. .	
5,282,597	2/1994	Babcock .	
5,287,944	2/1994	Woodyard .	
5,346,036	9/1994	Arisman et al. ....	182/3
5,361,558	11/1994	Thornton et al. .	

*Primary Examiner*—Doris Clark  
*Attorney, Agent, or Firm*—Novak Druce Reynolds Burt

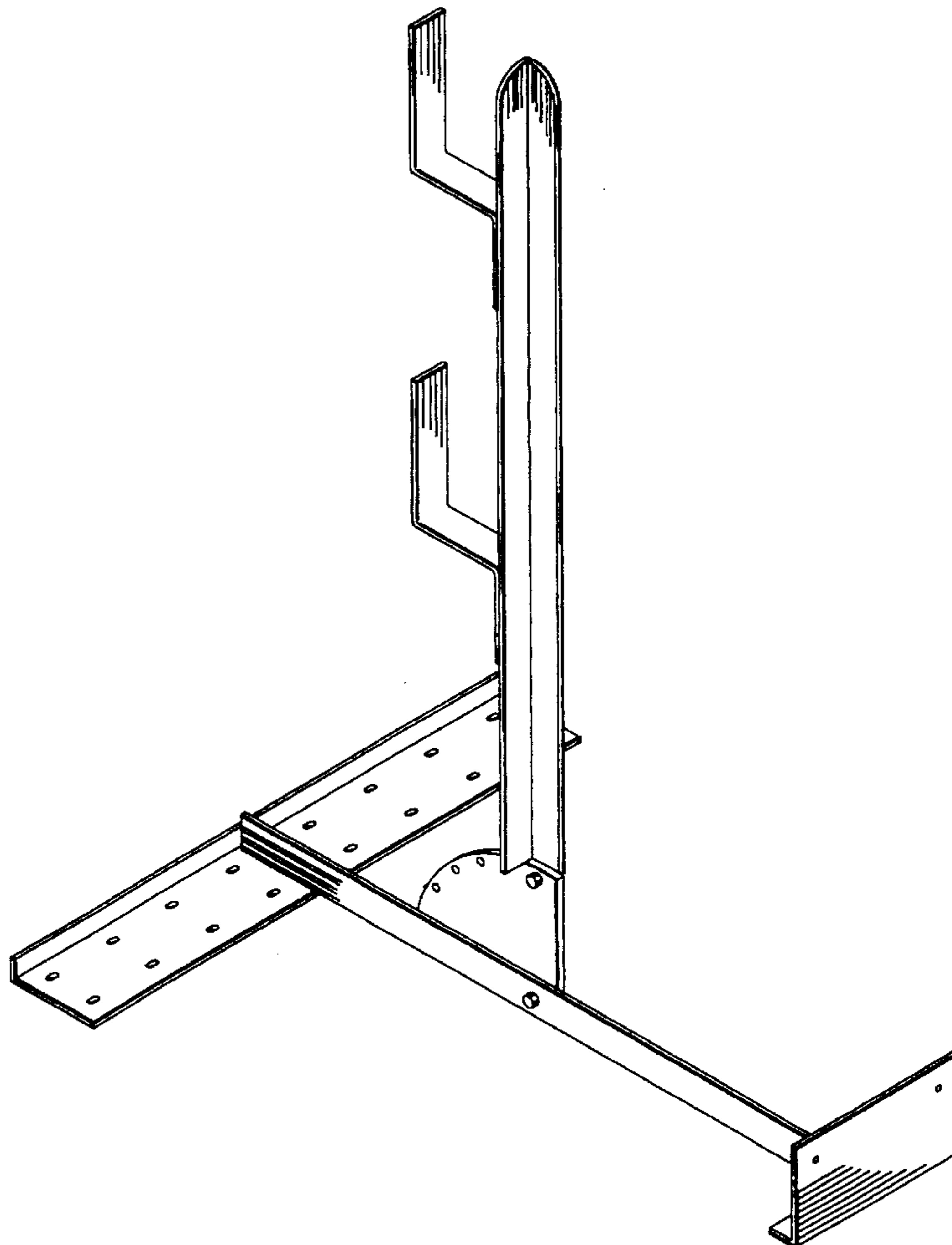
[57] **CLAIM**

The ornamental design for an adjustable handrail post, as shown and described.

**DESCRIPTION**

FIG. 1 is a back perspective view of the adjustable handrail post;  
FIG. 2 is a back view of the adjustable handrail post;  
FIG. 3 is a right side view of the adjustable handrail post;  
FIG. 4 is a front view of the adjustable handrail post;  
FIG. 5 is a bottom view of the adjustable handrail post;  
FIG. 6 is a left side view of the adjustable handrail post; and,  
FIG. 7 is a top view of the adjustable handrail post.

**1 Claim, 2 Drawing Sheets**



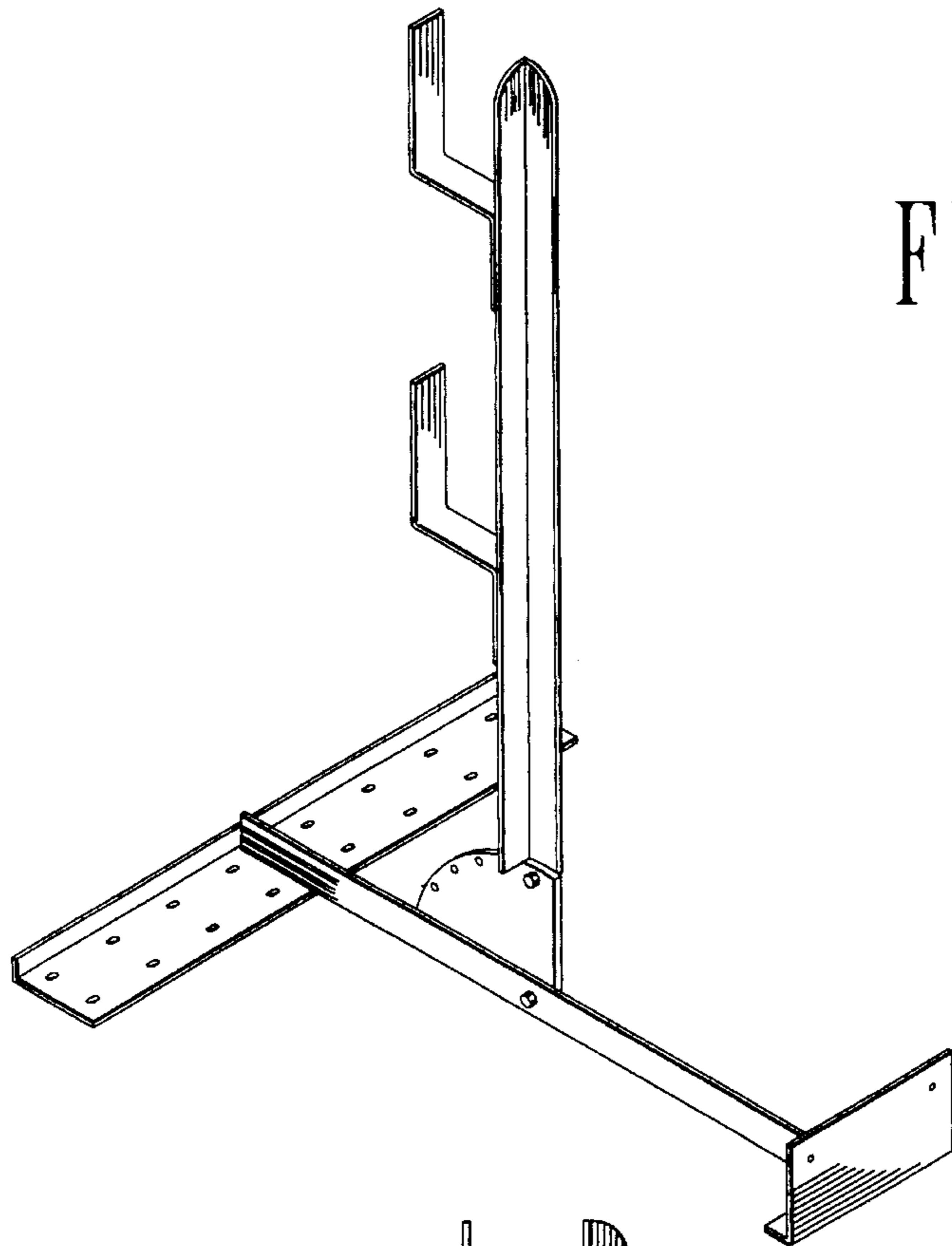


FIG 1

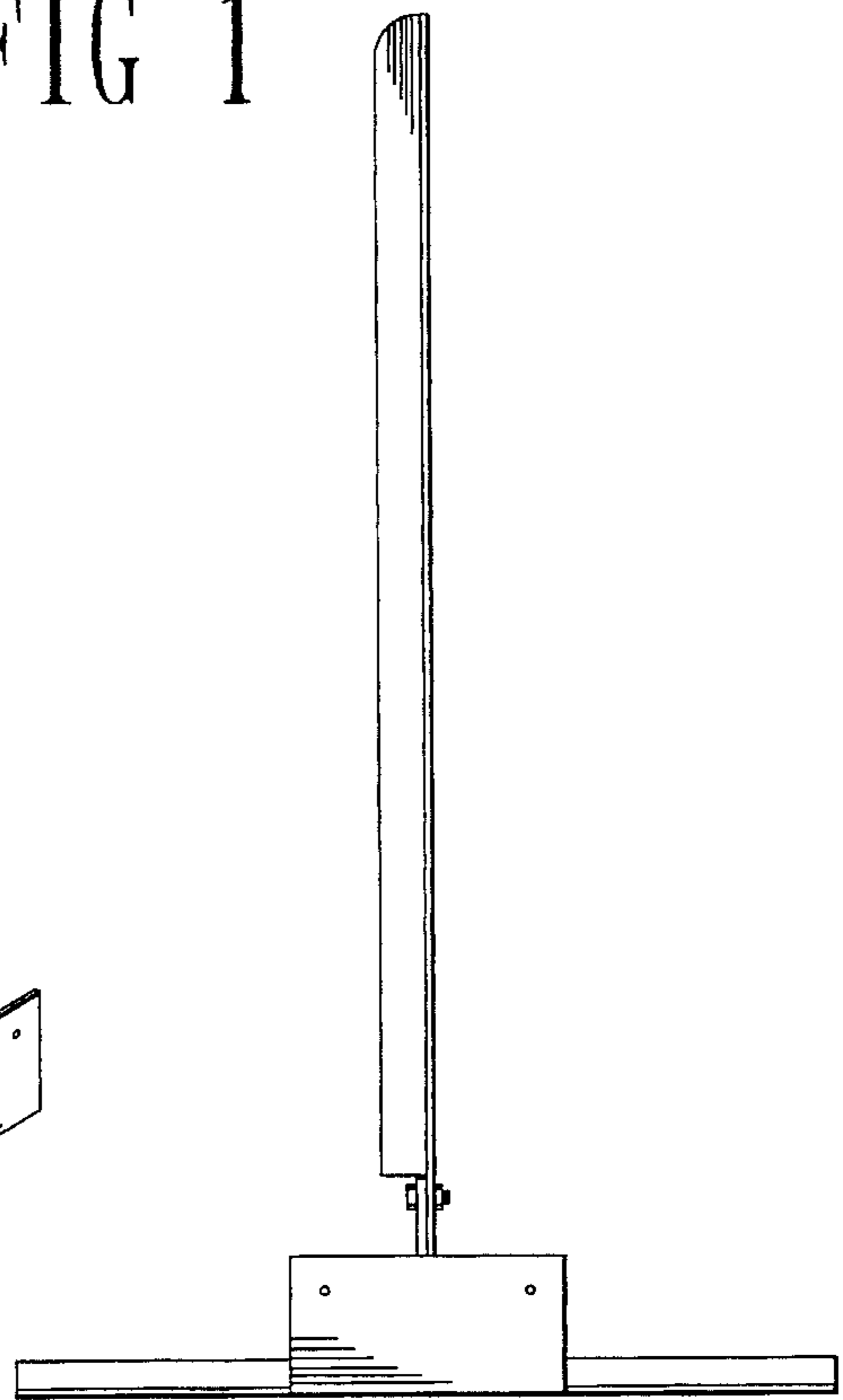


FIG 2

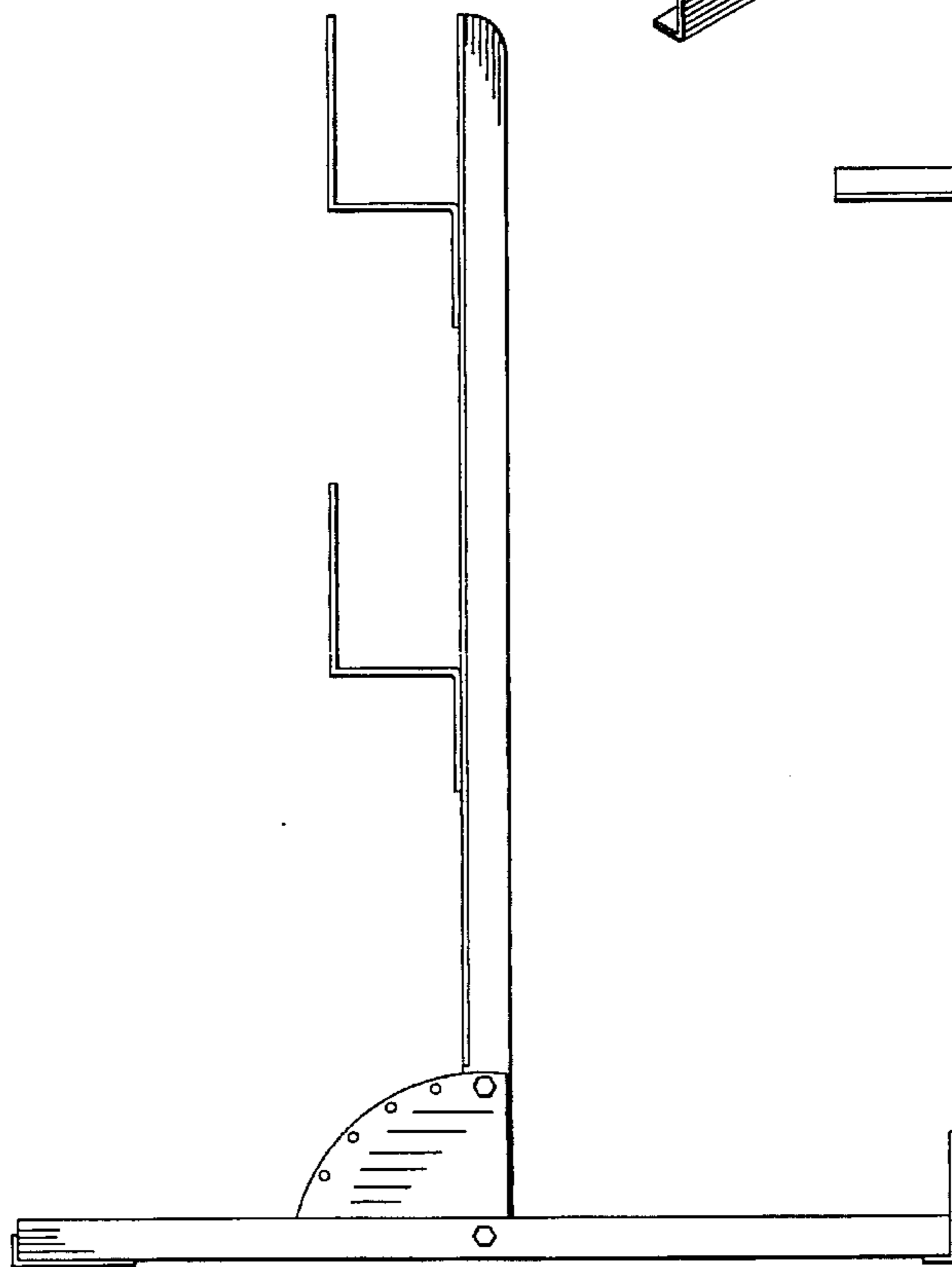


FIG 3

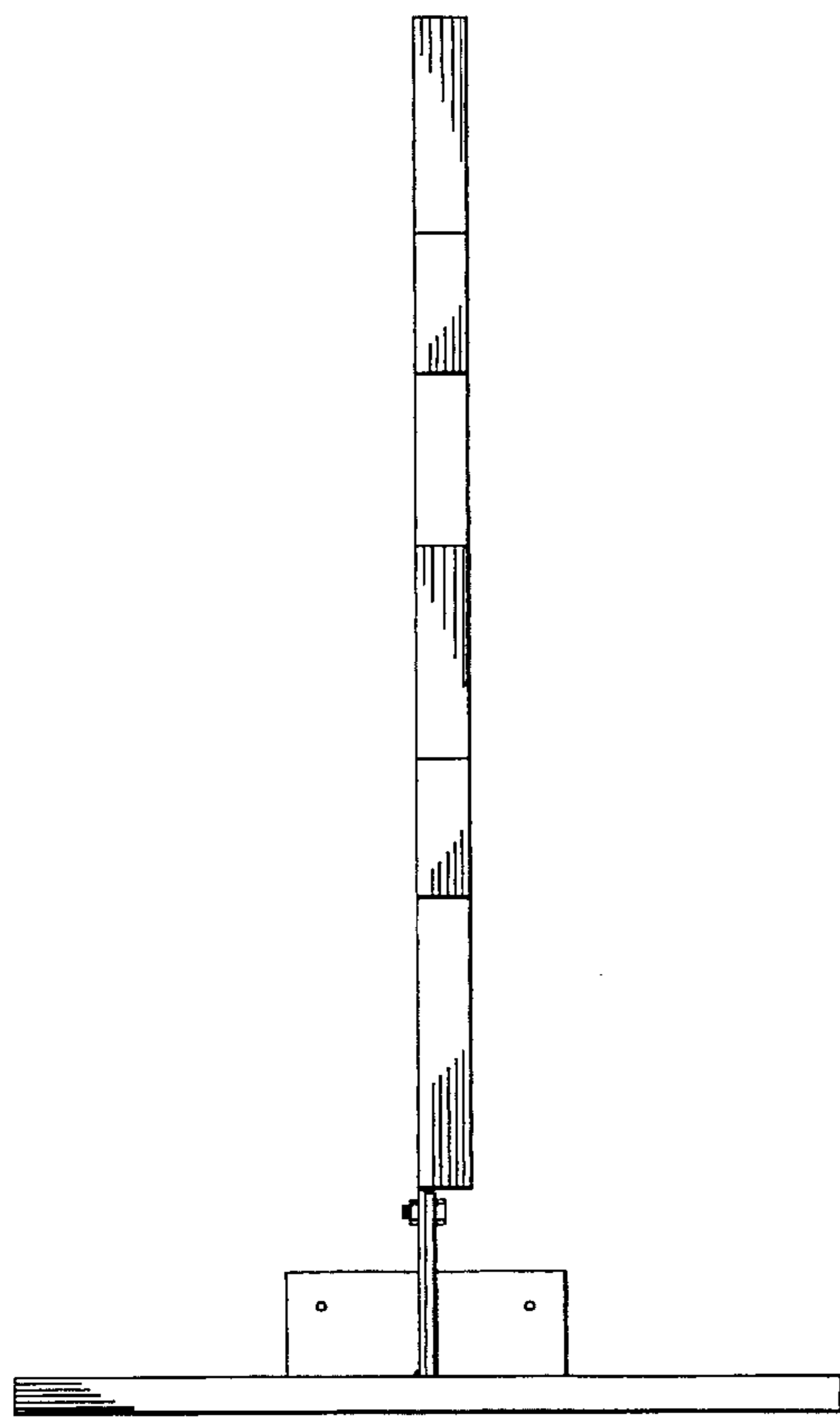


FIG 4

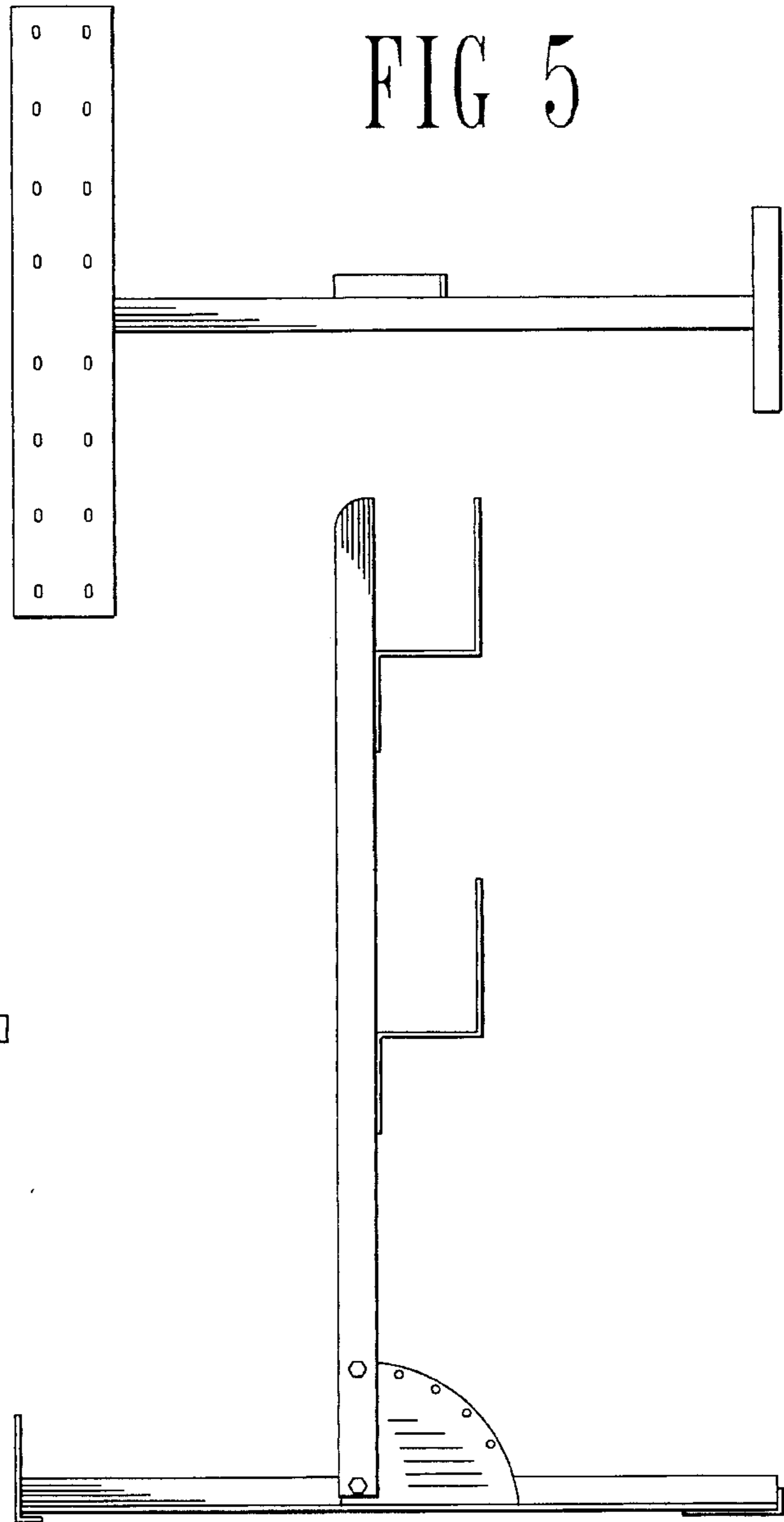


FIG 5

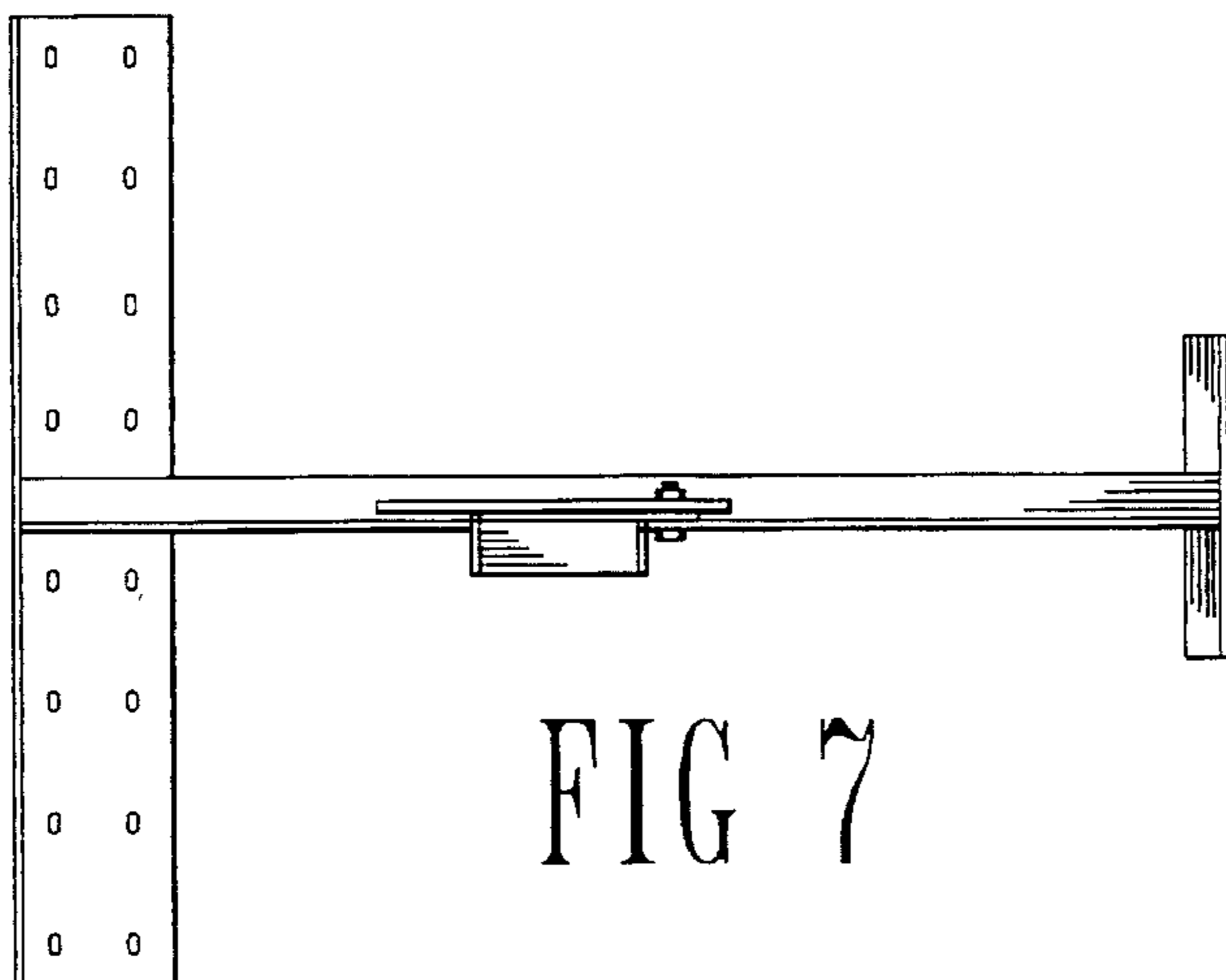


FIG 7

FIG 6