



US00D373832S

# United States Patent [19]

[11] Patent Number: **Des. 373,832**

Nomura

[45] Date of Patent: **\*\*Sep. 17, 1996**

## [54] FRAME BAR FOR CONSTITUTING A FRAME STRUCTURE

[75] Inventor: **Ryoichi Nomura**, Toyama, Japan

[73] Assignee: **NIC Autotec Co., Ltd.**, Toyama, Japan

[\*\*] Term: **14 Years**

[21] Appl. No.: **23,942**

[22] Filed: **Jun. 3, 1994**

[52] U.S. Cl. .... **D25/122; D25/61**

[58] Field of Search ..... **D25/122, 125, D25/124, 61; 52/648, 738, 731, 737, 732.1, 732.2, 782, 653.1, 653.2, 649.2, 649.3; 160/371**

## [56] References Cited

### U.S. PATENT DOCUMENTS

D. 316,444	4/1991	Abbestan et al. ....	D25/122
D. 318,130	7/1991	Abbestan et al. ....	D25/122
D. 336,345	6/1993	Fasth et al. ....	D25/122
2,866,235	12/1958	Couse et al. ....	D25/61
3,513,606	5/1970	Jones ....	D25/122
4,250,679	2/1981	Burg ....	52/653.2
4,984,407	1/1991	Ziehmer ....	52/653.1
5,224,320	7/1993	Mai ....	52/648.1

Primary Examiner—Doris Clark

Attorney, Agent, or Firm—Frishauf, Holtz, Goodman & Woodward

## [57] CLAIM

The ornamental design for a frame bar for constituting a frame structure, as shown and described.

## DESCRIPTION

FIG. 1 is a front elevation of a frame bar for constituting a frame structure, showing a first embodiment of my new design, the rear elevational view being a mirror image of the side shown;

FIG. 2 is a top plan view thereof, the bottom plan view being a mirror image of the side shown;

FIG. 3 is a side elevation thereof; the opposite side being a mirror image of the side shown;

FIG. 4 is a perspective view thereof;

FIG. 5 is a front elevation of a frame bar for constituting a frame structure, showing a second embodiment of my new design, the rear elevational view being a mirror image of the side shown;

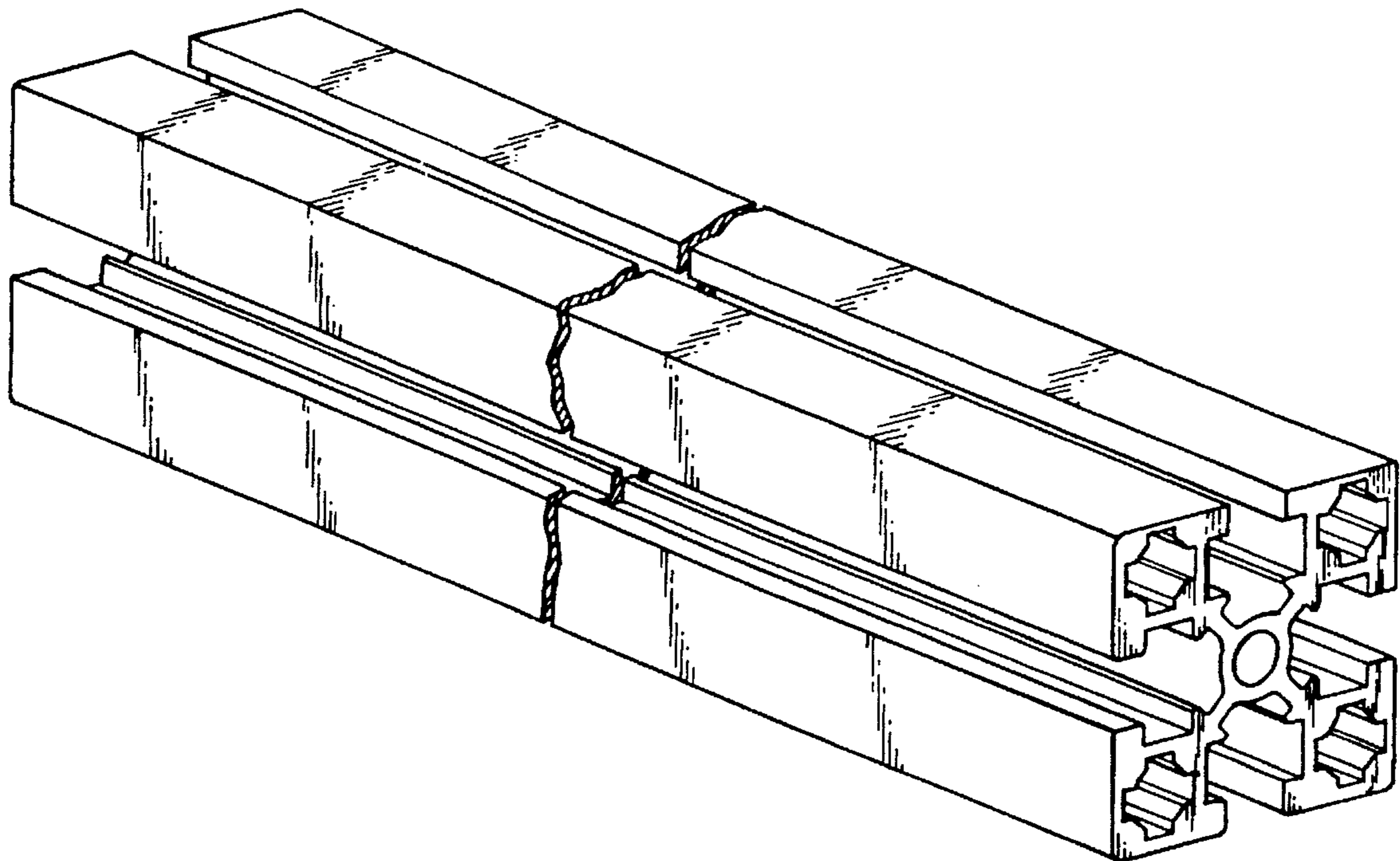
FIG. 6 is a top plan view thereof, the bottom plan view being a mirror image of the side shown;

FIG. 7 is a side elevation thereof; the opposite side being a mirror image of the side shown; and,

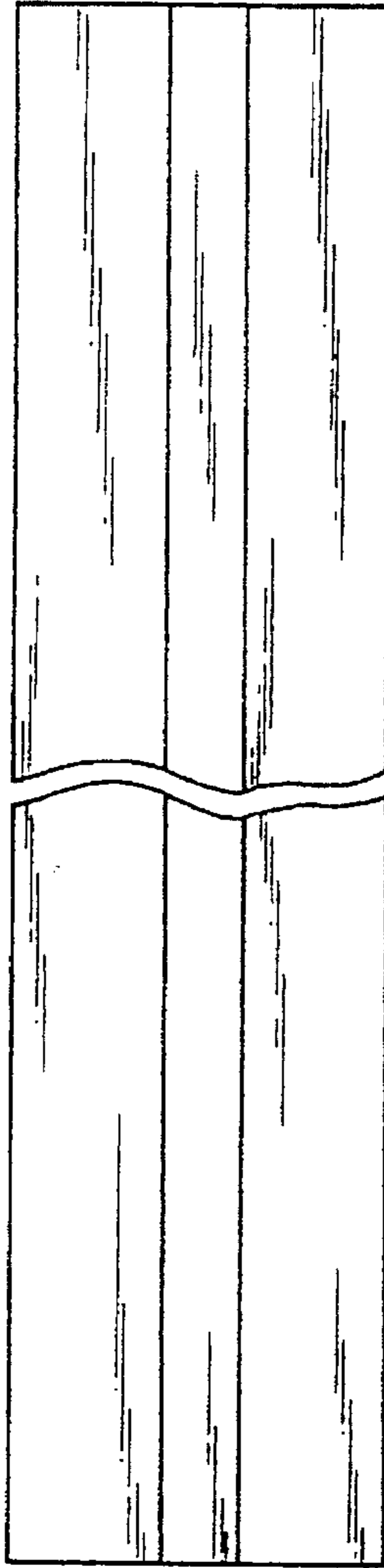
FIG. 8 is a perspective view thereof.

The frame bar for constituting the frame structure has been broken away in FIGS. 2, 3, 4, 6, 7 and 8 to indicate indeterminate length.

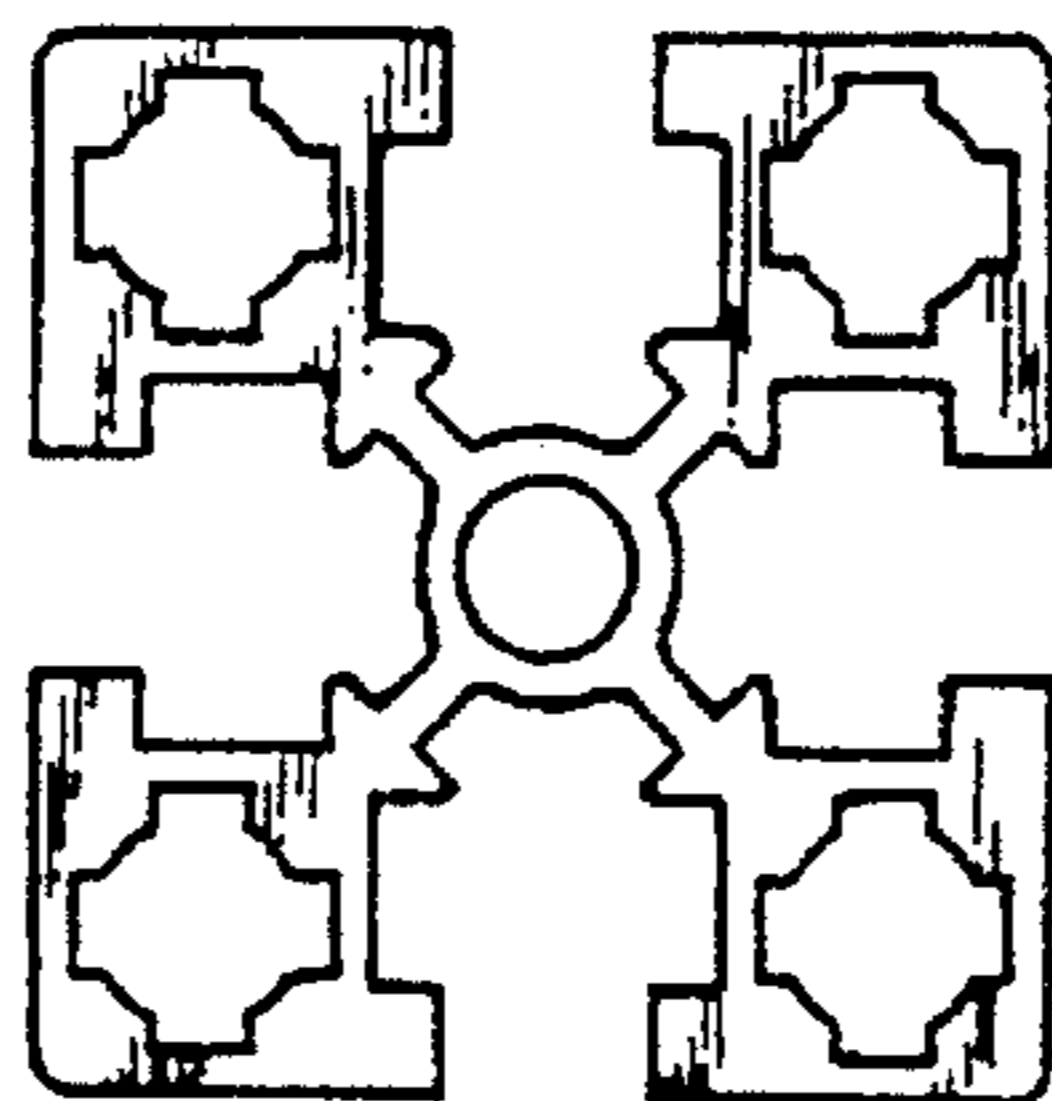
1 Claim, 4 Drawing Sheets



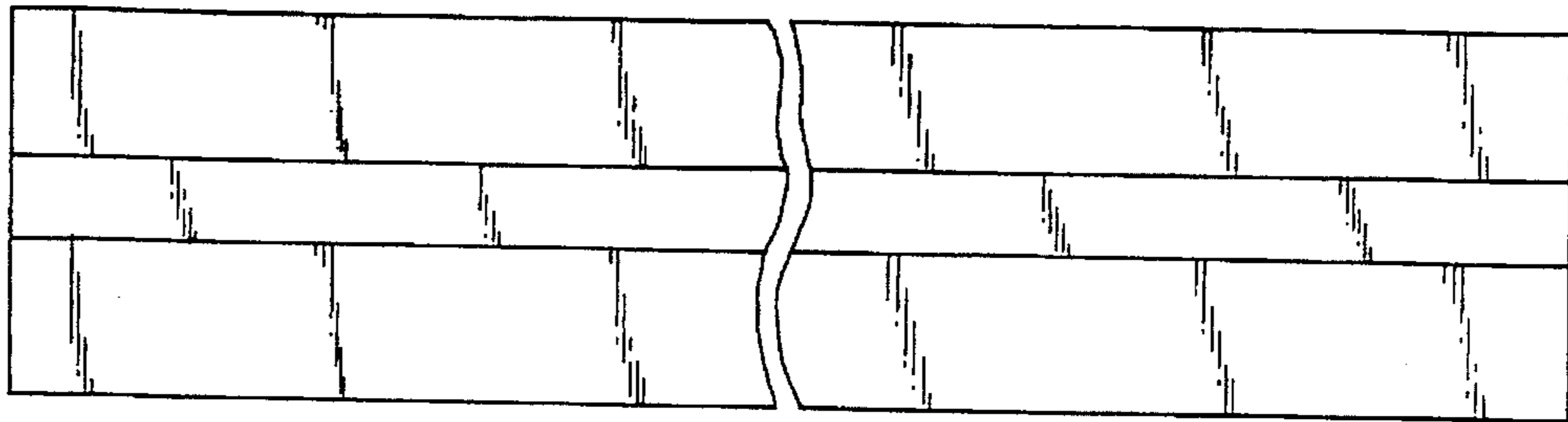
F I G. 2



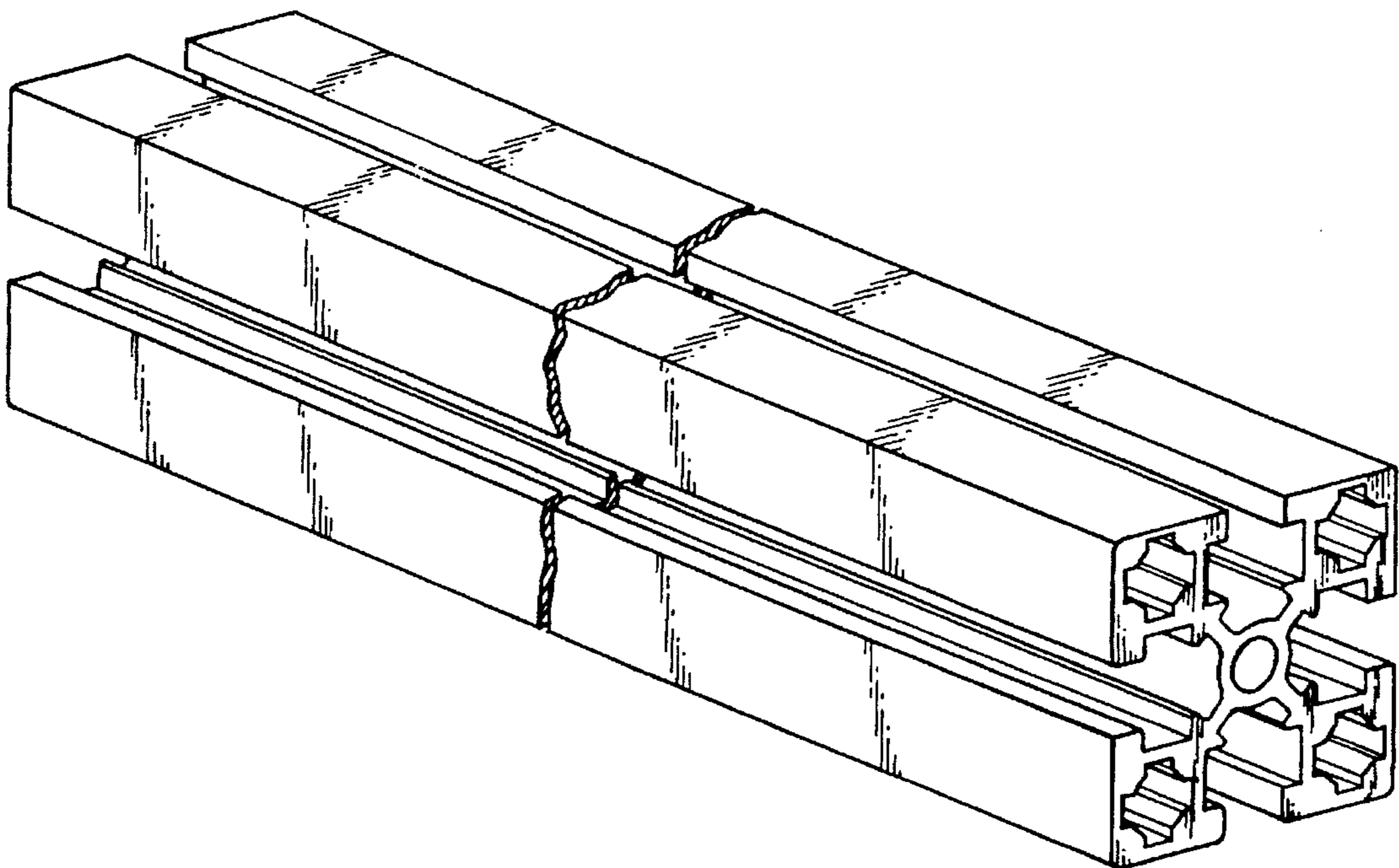
F I G. 1



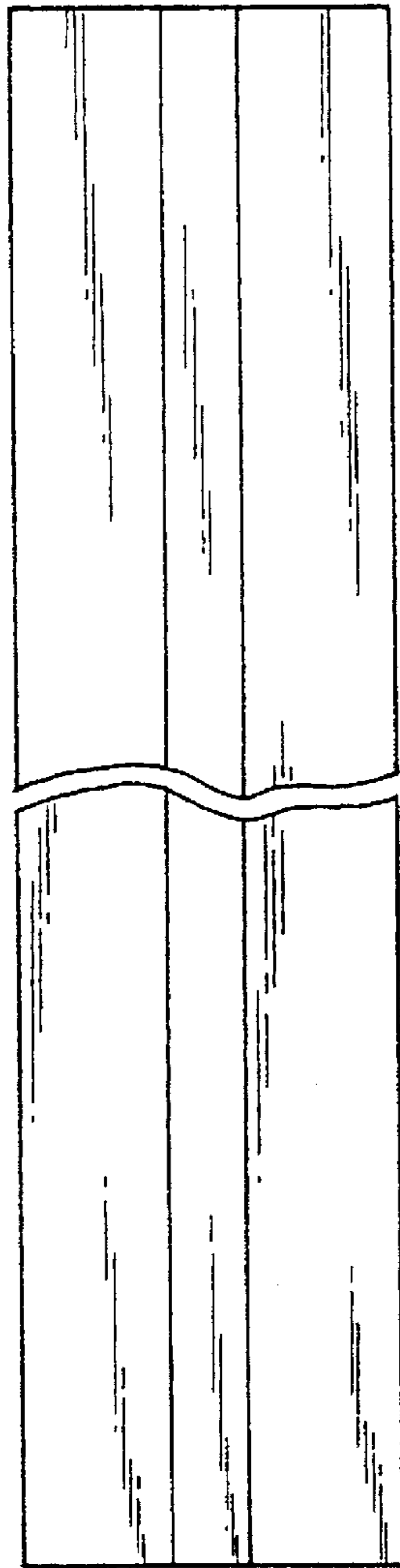
F I G. 3



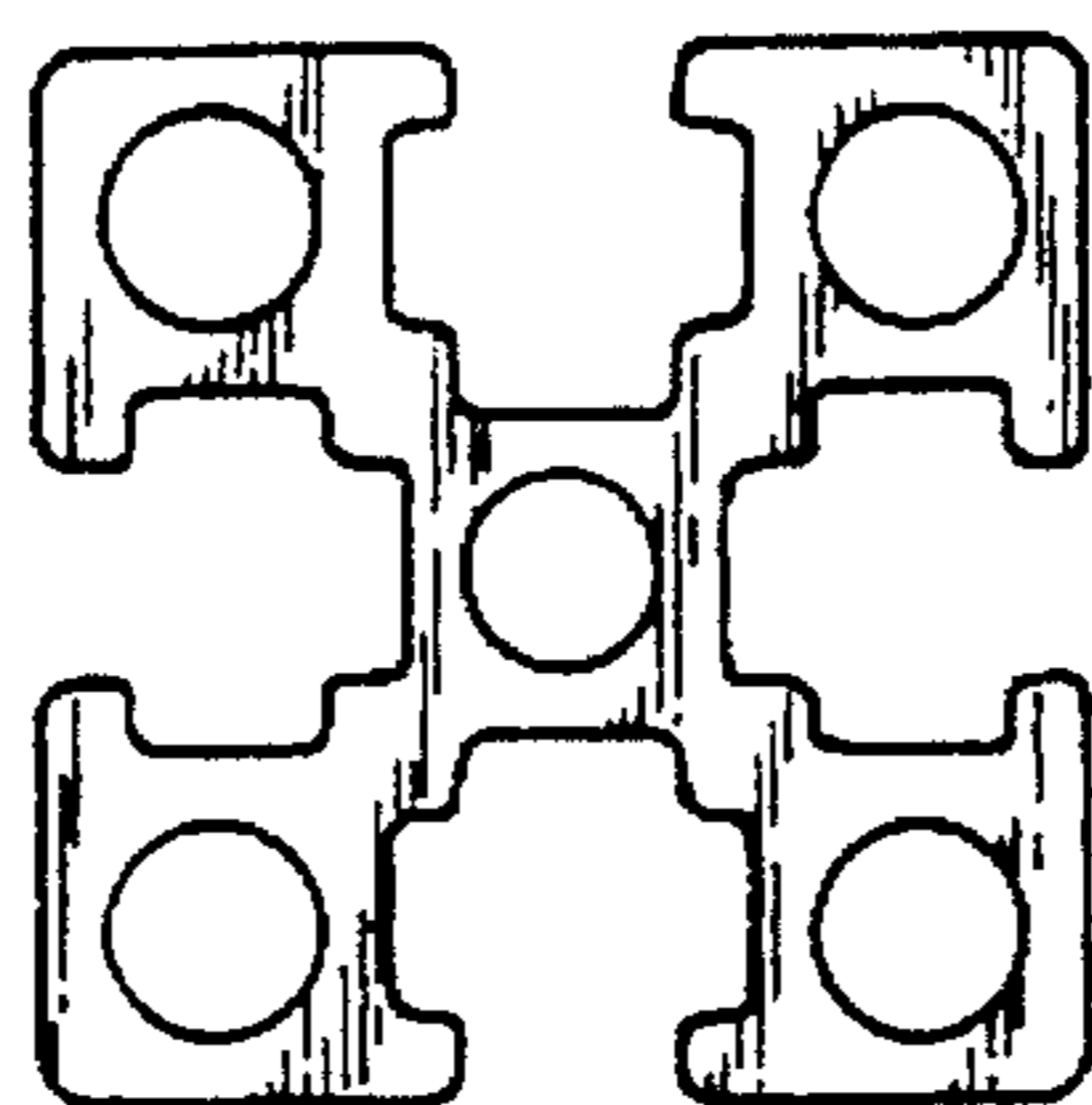
F I G. 4



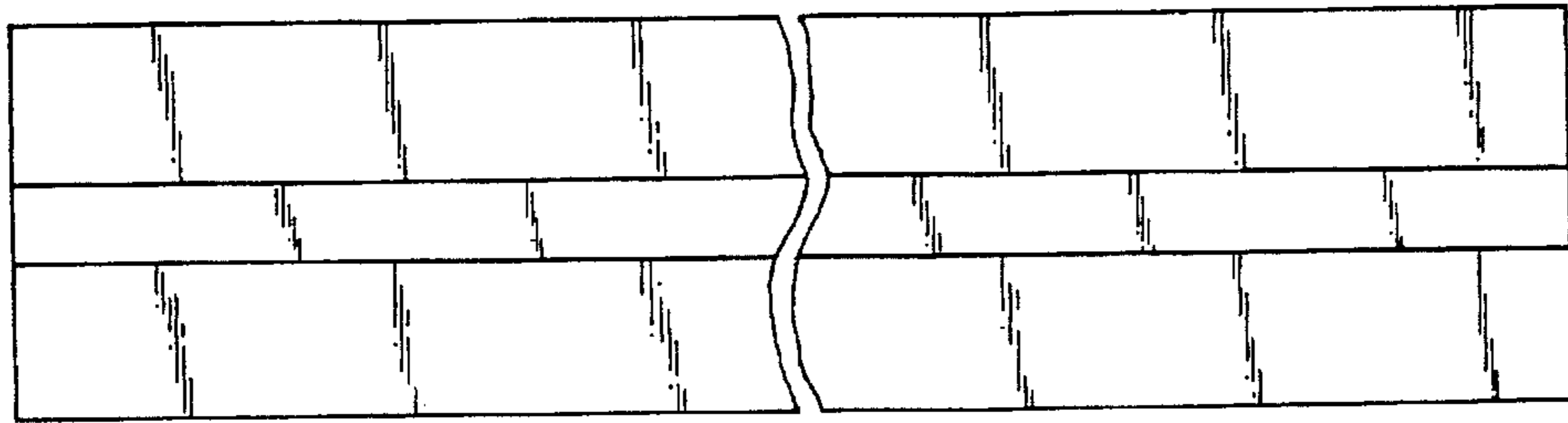
F I G. 6



F I G. 5



F I G. 7



F I G. 8

