



US00D373831S

# United States Patent [19]

Lechleiter et al.

[11] Patent Number: **Des. 373,831**

[45] Date of Patent: **\*\*Sep. 17, 1996**

[54] **CEILING**

4,671,033 6/1987 Smith ..... 52/220.6  
5,174,090 12/1992 Teli et al. .... 52/506.06

[75] Inventors: **Paul R. Lechleiter, Powell; Mark B. Artus, Beechwold, both of Ohio**

*Primary Examiner*—Doris Clark  
*Attorney, Agent, or Firm*—Akin, Gump, Strauss, Hauer & Feld, L.L.P.

[73] Assignee: **Blockbuster Entertainment Inc., Ft. Lauderdale, Fla.**

[\*\*] Term: **14 Years**

### [57] CLAIM

The ornamental design for a ceiling, as shown and described.

[21] Appl. No.: **36,260**

[22] Filed: **Mar. 16, 1995**

[52] U.S. Cl. .... **D25/58**

[58] Field of Search ..... D25/58; 52/220.6, 52/507, 506.06, 506.01

### DESCRIPTION

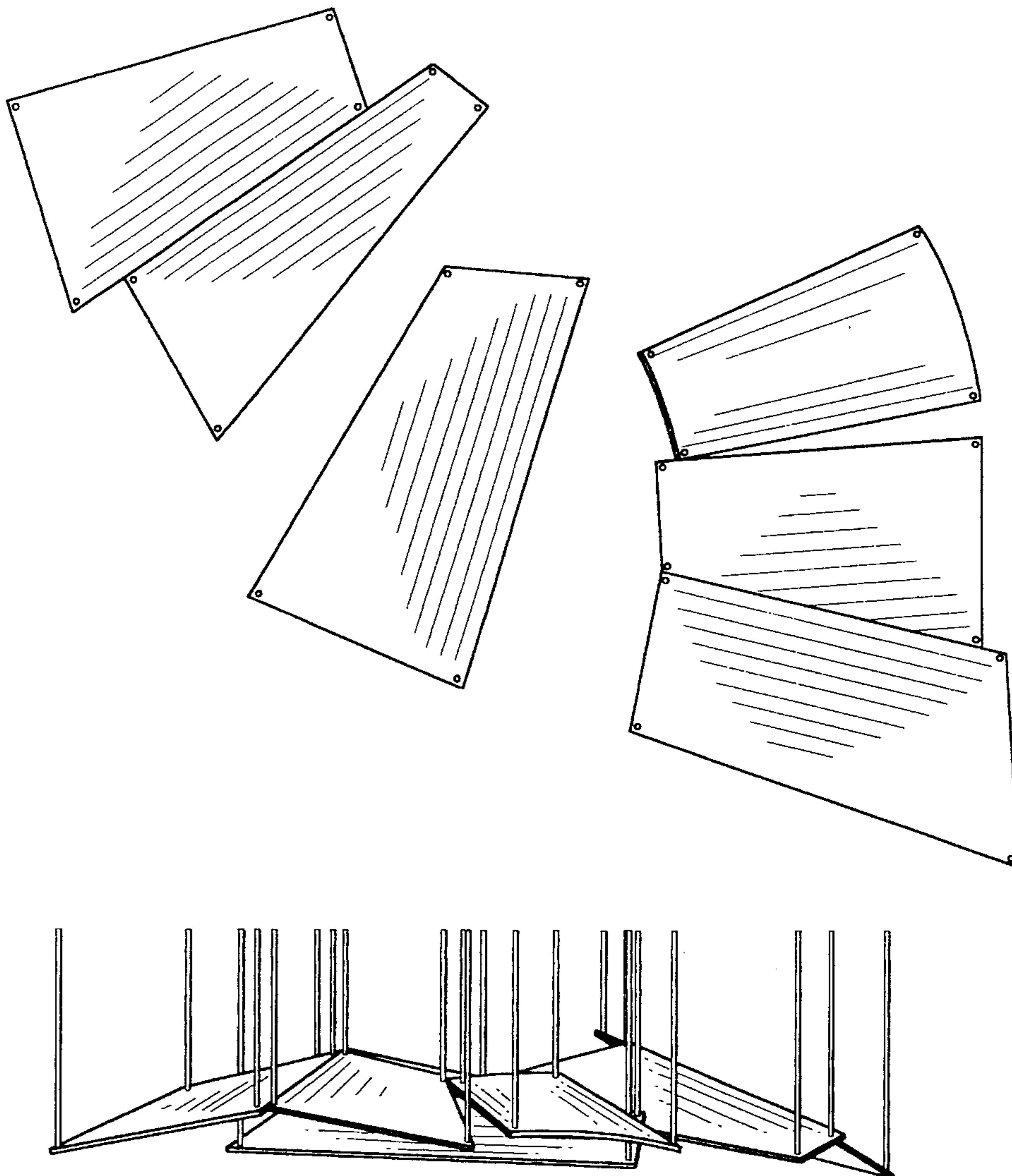
FIG. 1 is a top plan view of a ceiling showing our new design;  
FIG. 2 is a right side elevational view thereof;  
FIG. 3 is a left side elevational view thereof;  
FIG. 4 is a front elevational view thereof;  
FIG. 5 is a rear elevational view thereof; and,  
FIG. 6 is a bottom plan view thereof.

### [56] References Cited

#### U.S. PATENT DOCUMENTS

D. 270,094	8/1983	Thual .....	D25/58
2,935,152	5/1960	Maccaferri .....	D25/58
3,466,830	9/1969	Smith .....	D25/58

**1 Claim, 4 Drawing Sheets**



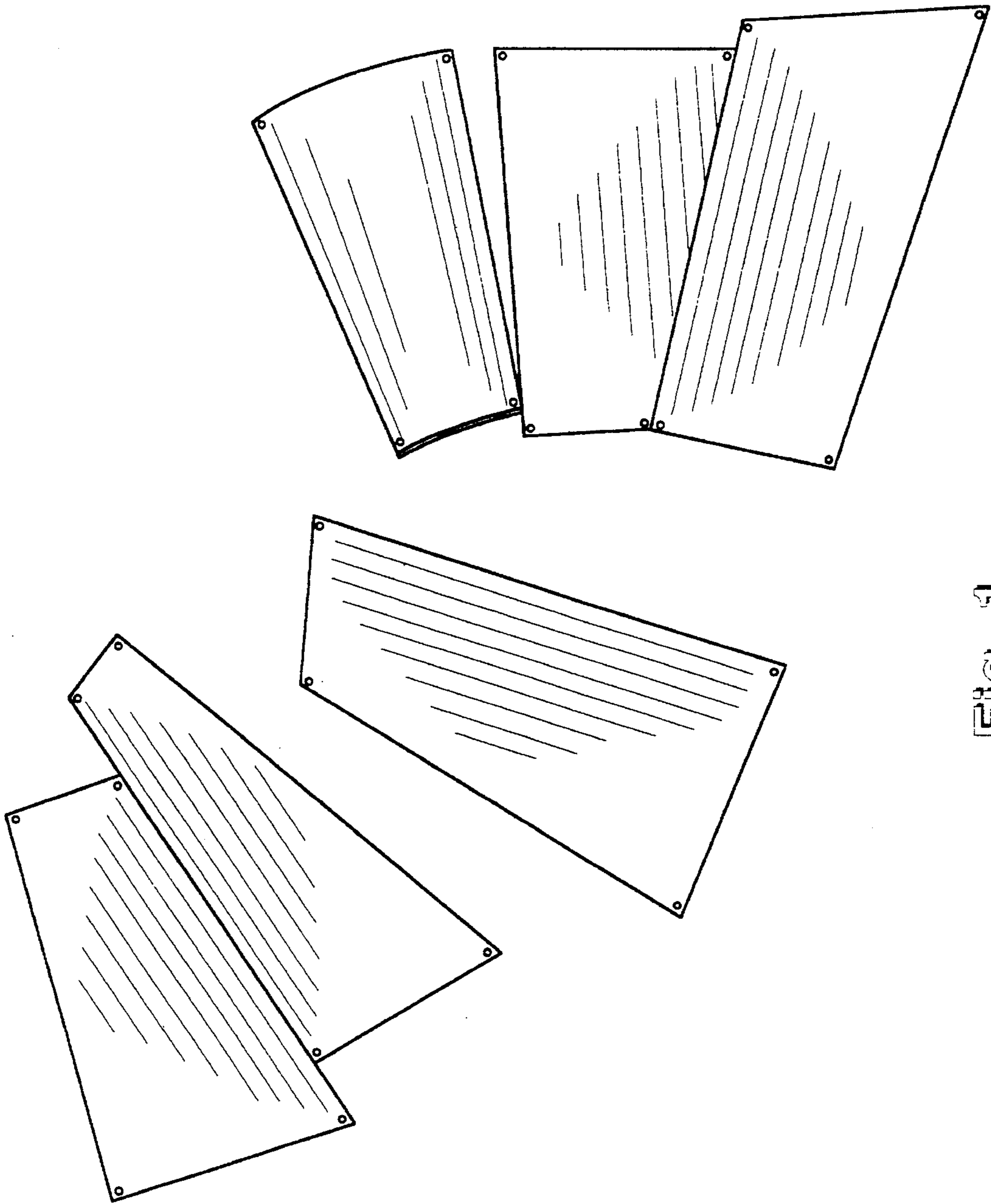


Fig. 1

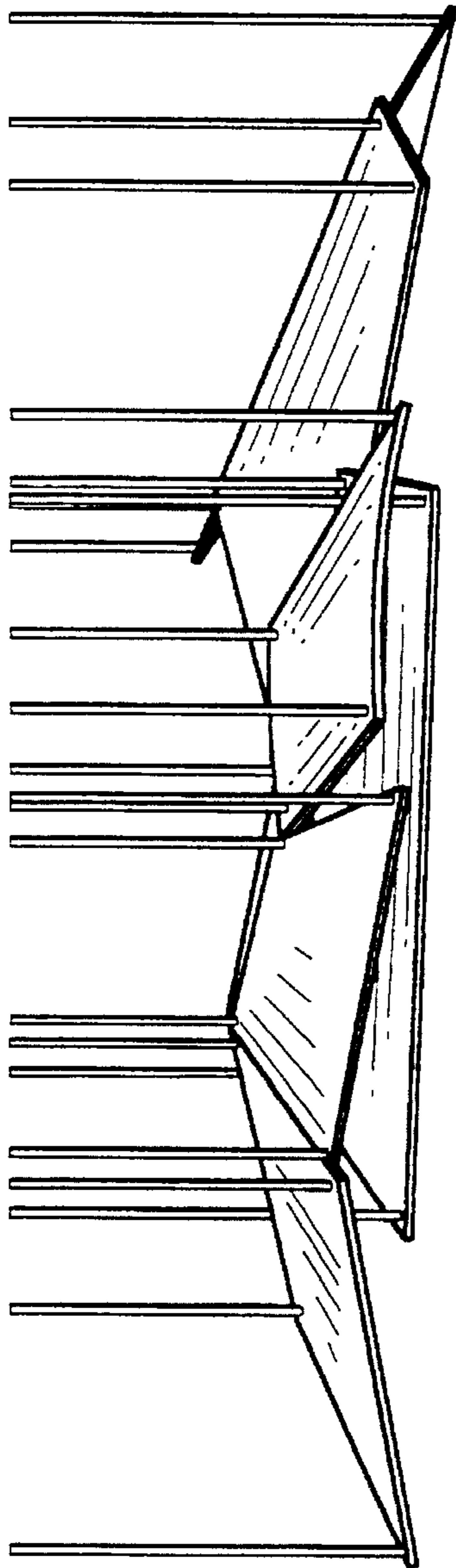


Fig. 2

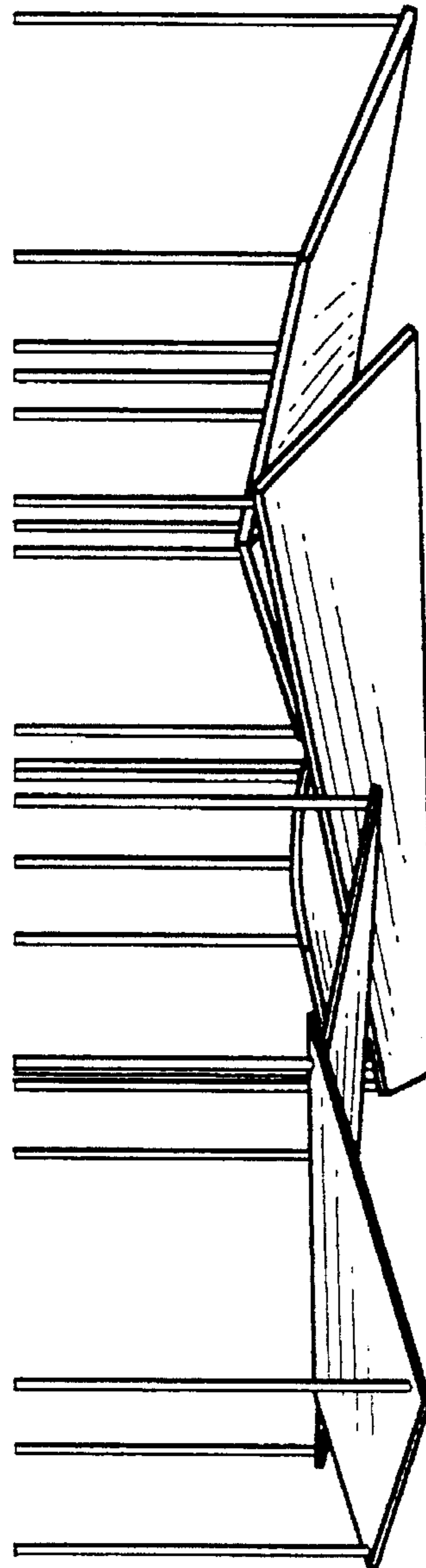


Fig. 3

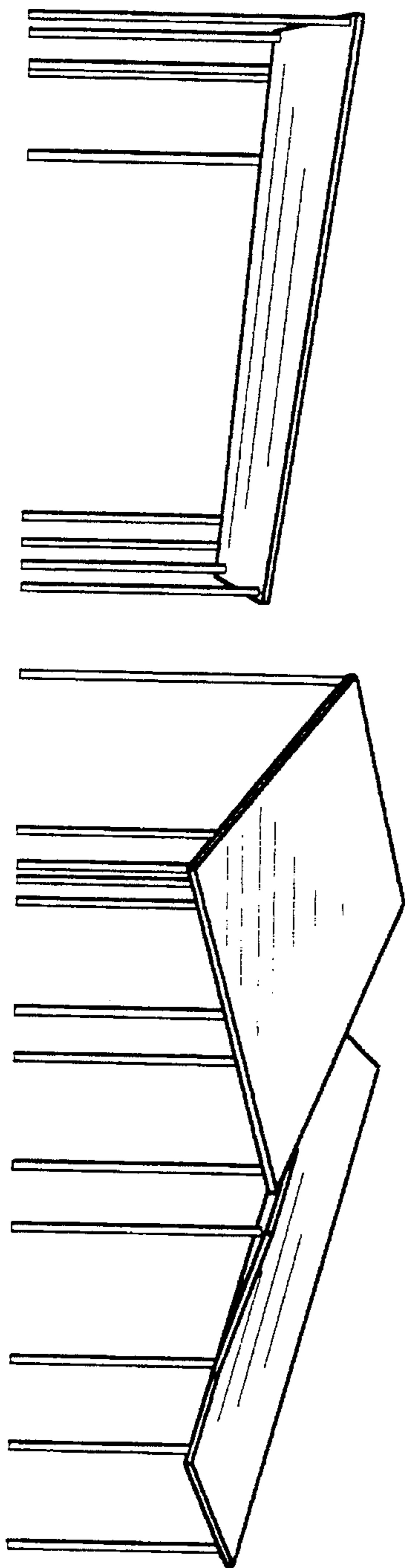


Fig. 4

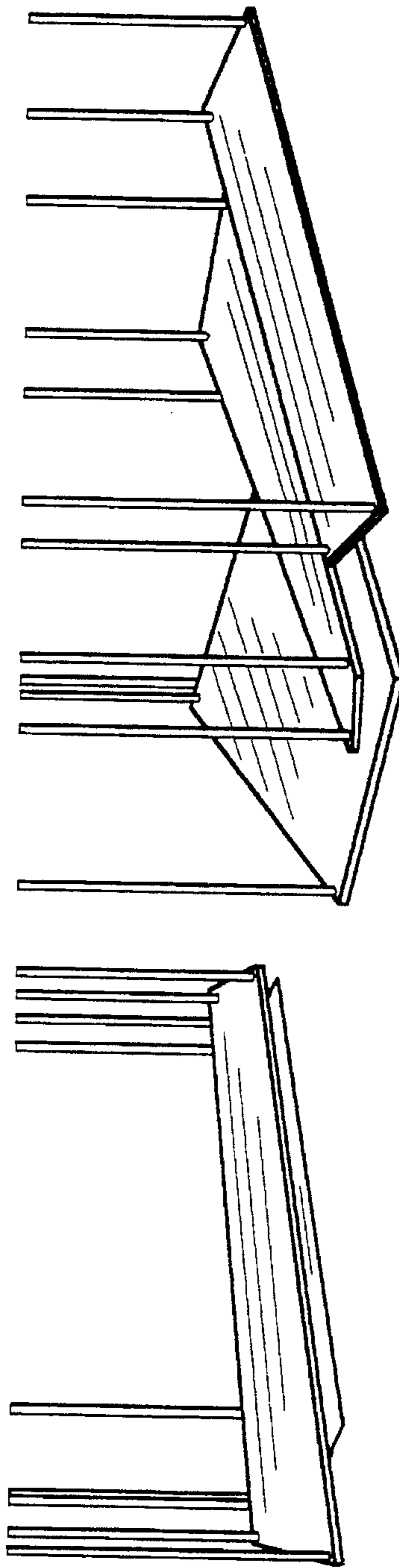


Fig. 5

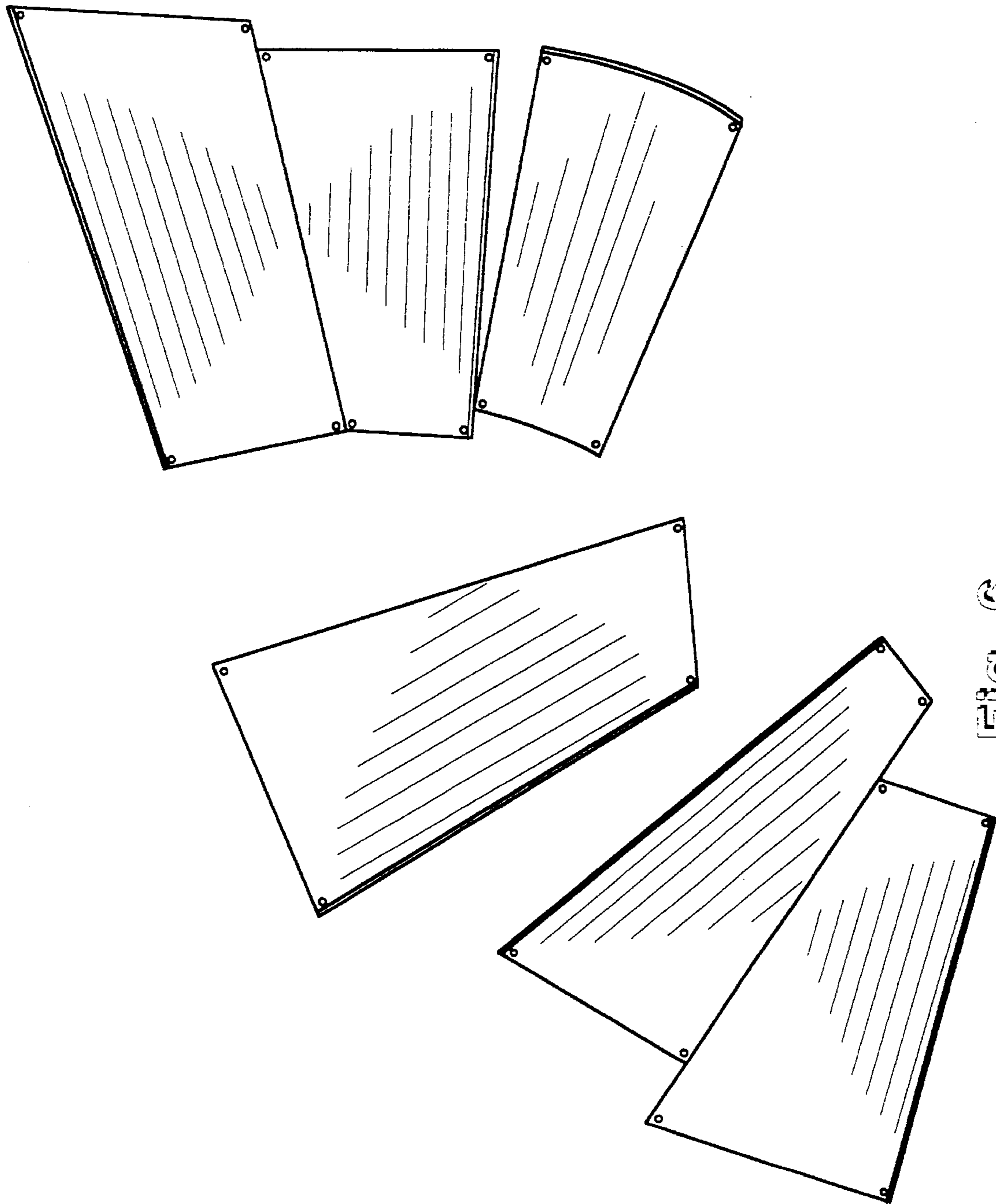


Fig. 6