



US00D373823S

United States Patent [19]

Baldwin

[11] Patent Number: **Des. 373,823**

[45] Date of Patent: ****Sep. 17, 1996**

[54] **GASTROINTESTINAL TUBE SYRINGE HOLDER**

4,668,216	5/1987	Martin et al. .
4,769,015	9/1988	Bloxom, Jr. .
5,059,173	10/1991	Sacco .
5,195,987	3/1993	Karpiak .

[76] Inventor: **Donald M. Baldwin**, 76 Woodlake Blvd., Millbury, Ohio 43447

[**] Term: **14 Years**

Primary Examiner—James M. Gandy
Assistant Examiner—Linda Brooks
Attorney, Agent, or Firm—MacMillan, Sobanski & Todd

[21] Appl. No.: **29,970**

[57] **CLAIM**

[22] Filed: **Oct. 20, 1994**

The ornamental design for a gastrointestinal tube syringe holder, as shown and described.

[52] U.S. Cl. **D24/128**

[58] Field of Search D24/128, 127, D24/129; 248/113, 230.7, 248, 313, 316.7; 5/503.1, 658; 128/912, DIG. 26; 604/30, 31, 65, 66, 67, 246, 251-254, 258, 180, 283, 905, 413, 179

DESCRIPTION

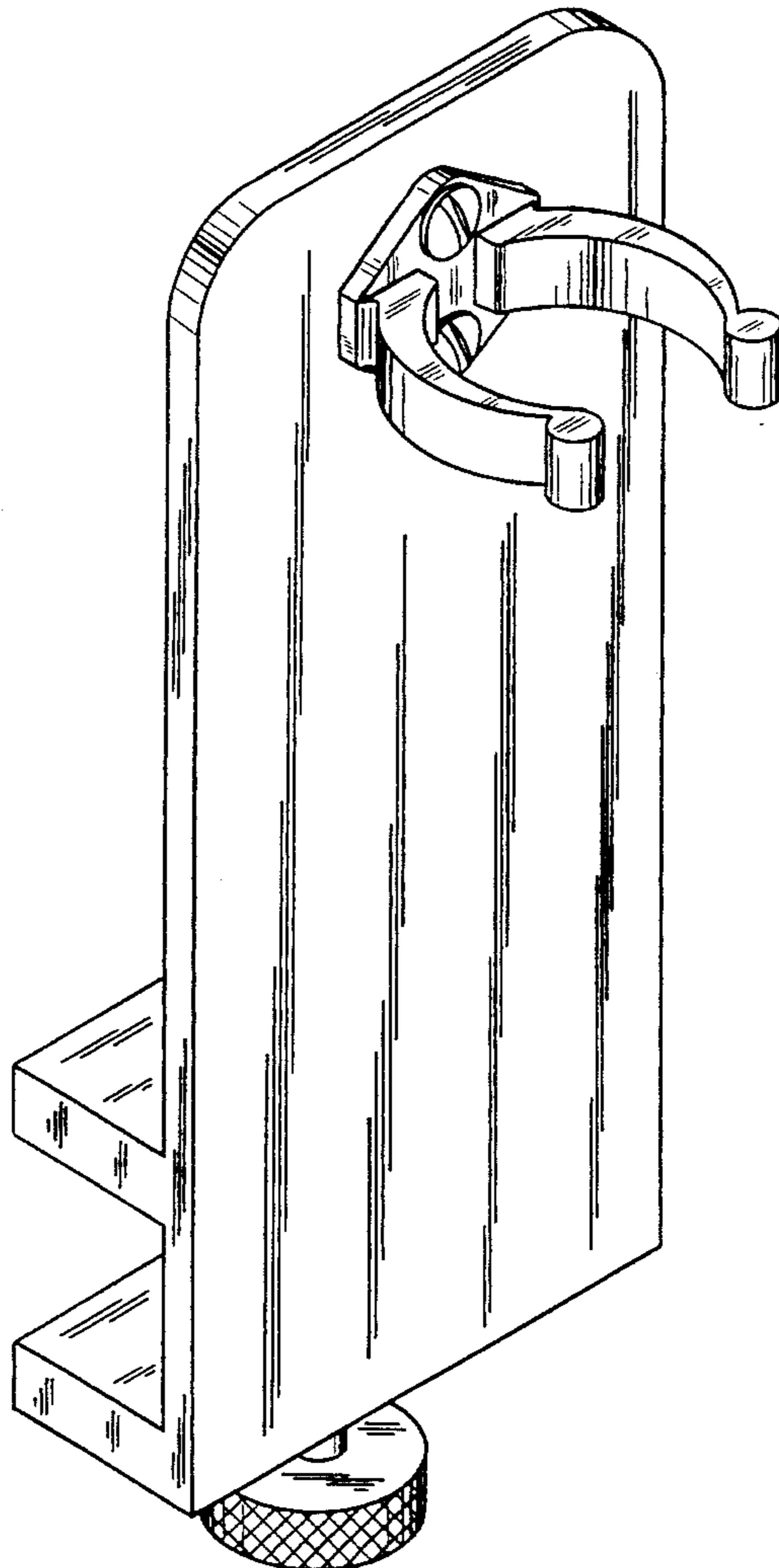
FIG. 1 is a left front perspective view of a gastrointestinal tube syringe holder showing my new design; FIG. 2 is a right rear perspective view of the syringe holder shown in FIG. 1; FIG. 3 is a front elevational view of the syringe holder shown in FIG. 1; FIG. 4 is a right elevational view of the syringe holder shown in FIG. 1; and, FIG. 5 is a rear elevational view of the syringe holder shown in FIG. 1.

[56] **References Cited**

U.S. PATENT DOCUMENTS

D. 323,390	1/1992	Paine et al.	D24/129
D. 354,350	1/1995	Pryor et al.	D24/128
2,578,374	12/1951	Pratt .	
2,710,004	6/1955	Stamper .	
4,355,639	10/1982	Di Salvo .	
4,425,123	1/1984	Di Salvo .	

1 Claim, 3 Drawing Sheets



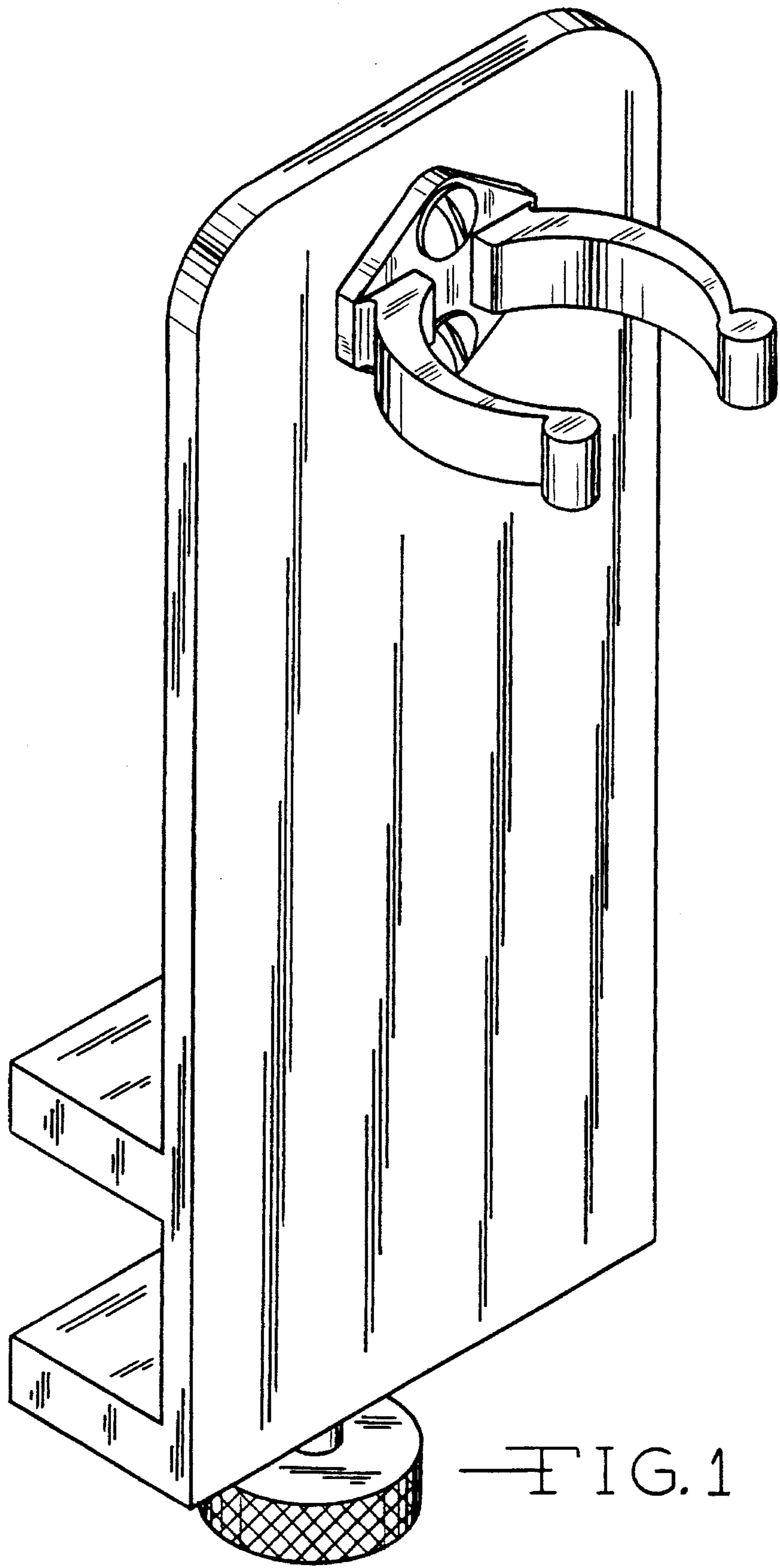


FIG. 1

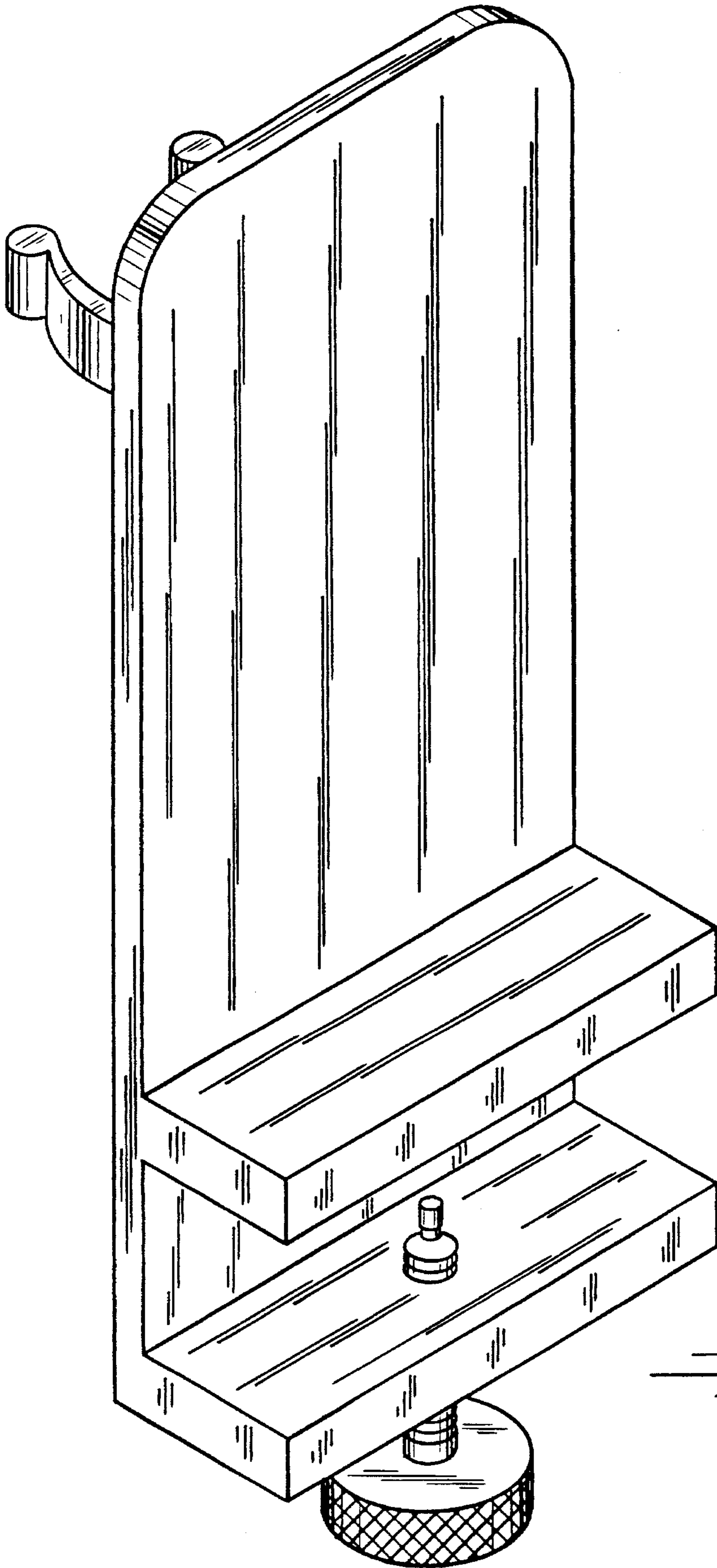
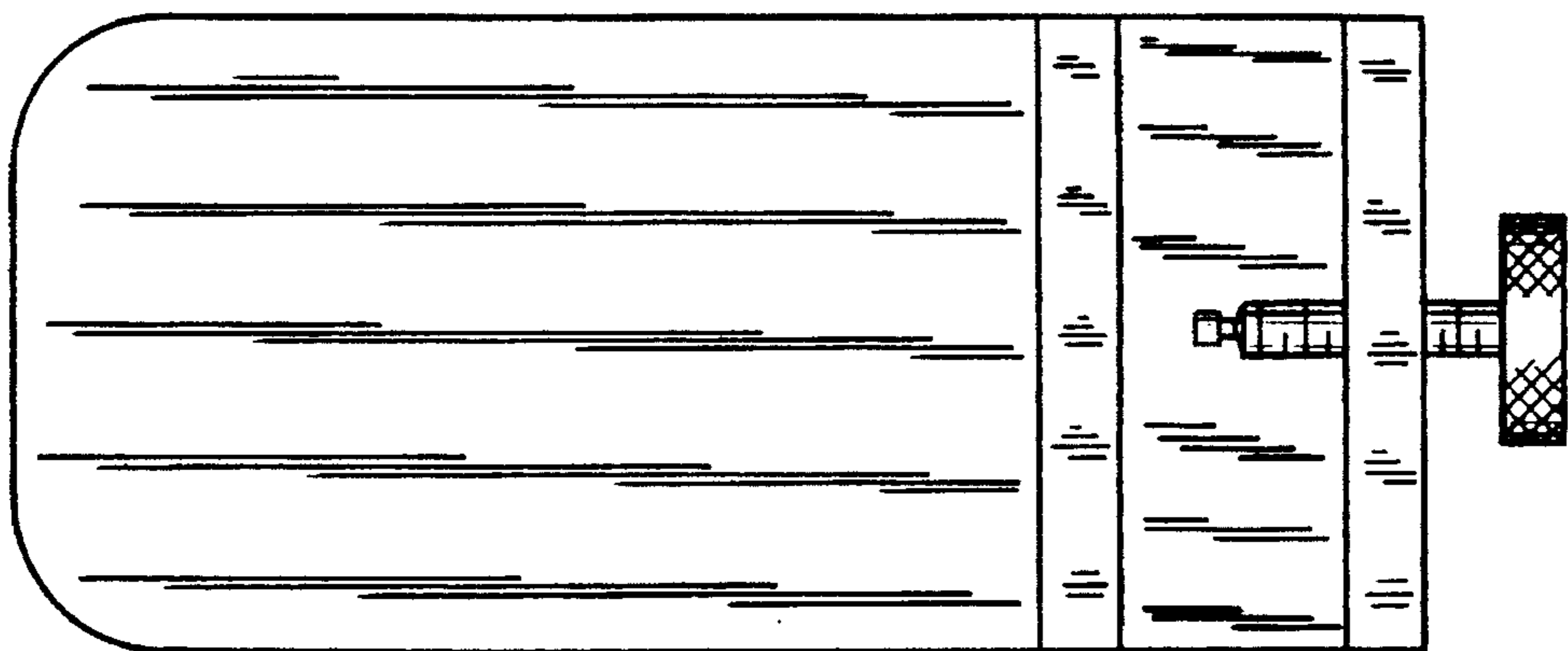
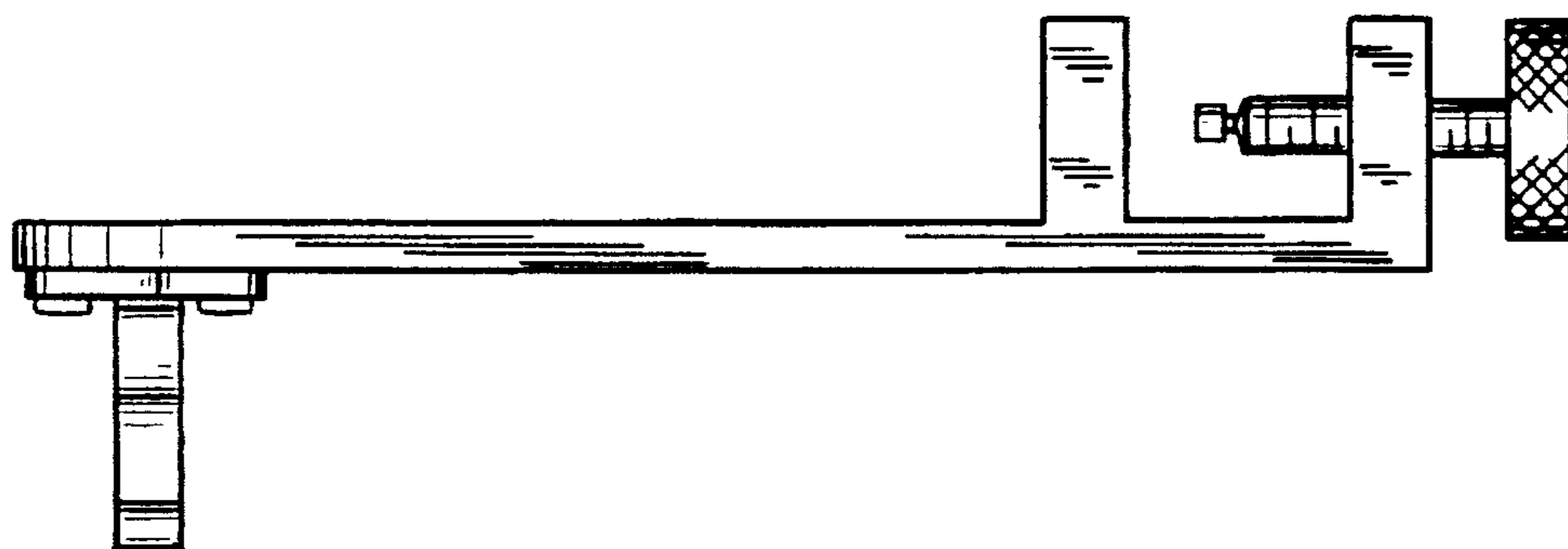


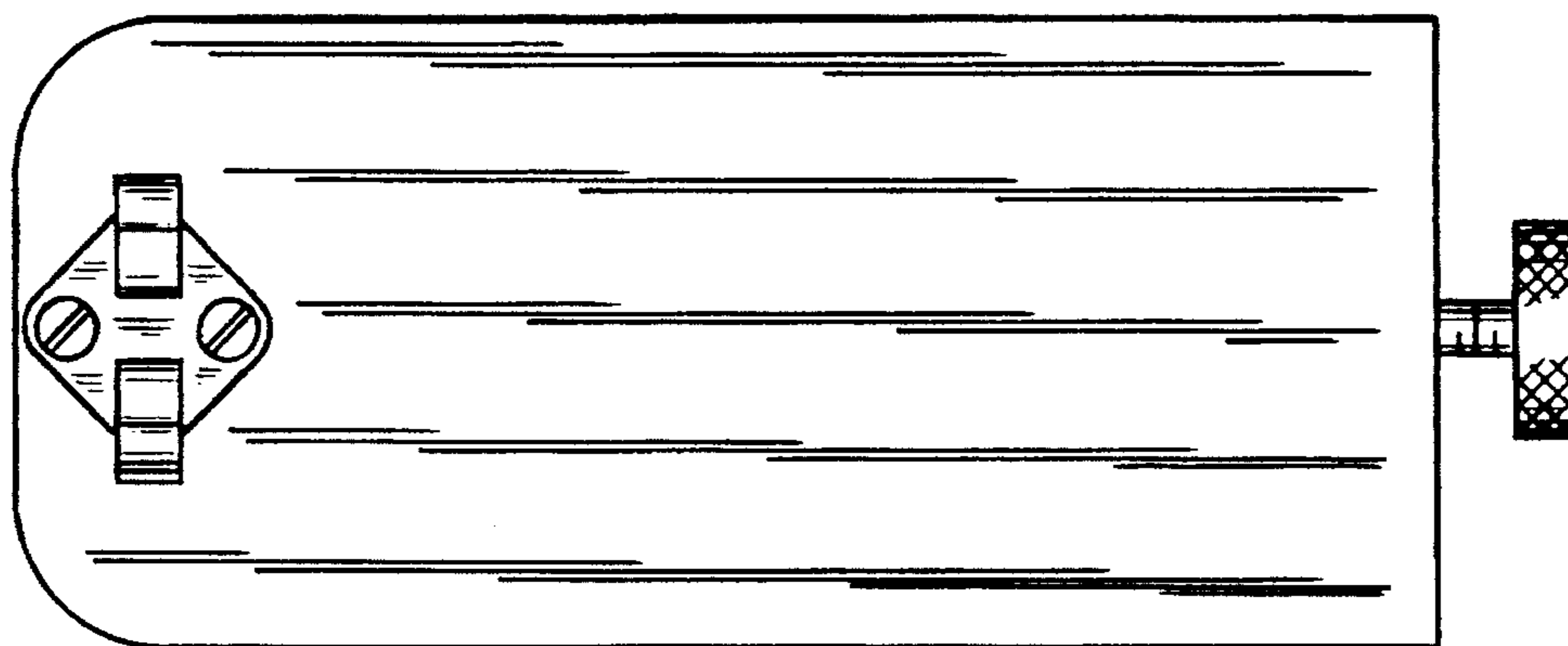
FIG. 2



—FIG.5



—FIG.4



—FIG.3