



US00D373819S

United States Patent [19]

[11] Patent Number: **Des. 373,819**

Suynov

[45] Date of Patent: ****Sep. 17, 1996**

[54] TOILET SEAT HANDLE

3,142,068 7/1964 Leventhal 4/237
4,402,091 9/1983 Ellis et al. 4/217

[76] Inventor: **Yehiel Suynov**, 142 W. Walnut St.,
Long Beach, N.Y. 11561

Primary Examiner—Louis S. Zarfes
Assistant Examiner—Gregory Andoll
Attorney, Agent, or Firm—Harold H. Dutton, Jr.; W. Charles
L. Jamison; Diane F. Liebman

[**] Term: **14 Years**

[21] Appl. No.: **43,600**

[57] **CLAIM**

[22] Filed: **Sep. 7, 1995**

The ornamental design for a toilet seat handle, as shown.

[52] U.S. Cl. **D23/311**

DESCRIPTION

[58] Field of Search D23/295, 296,
D23/297, 298, 299, 302–311; 4/233–239,
217, 242, 246.1, 253, 661; D8/300, 307,
305, 317, 309

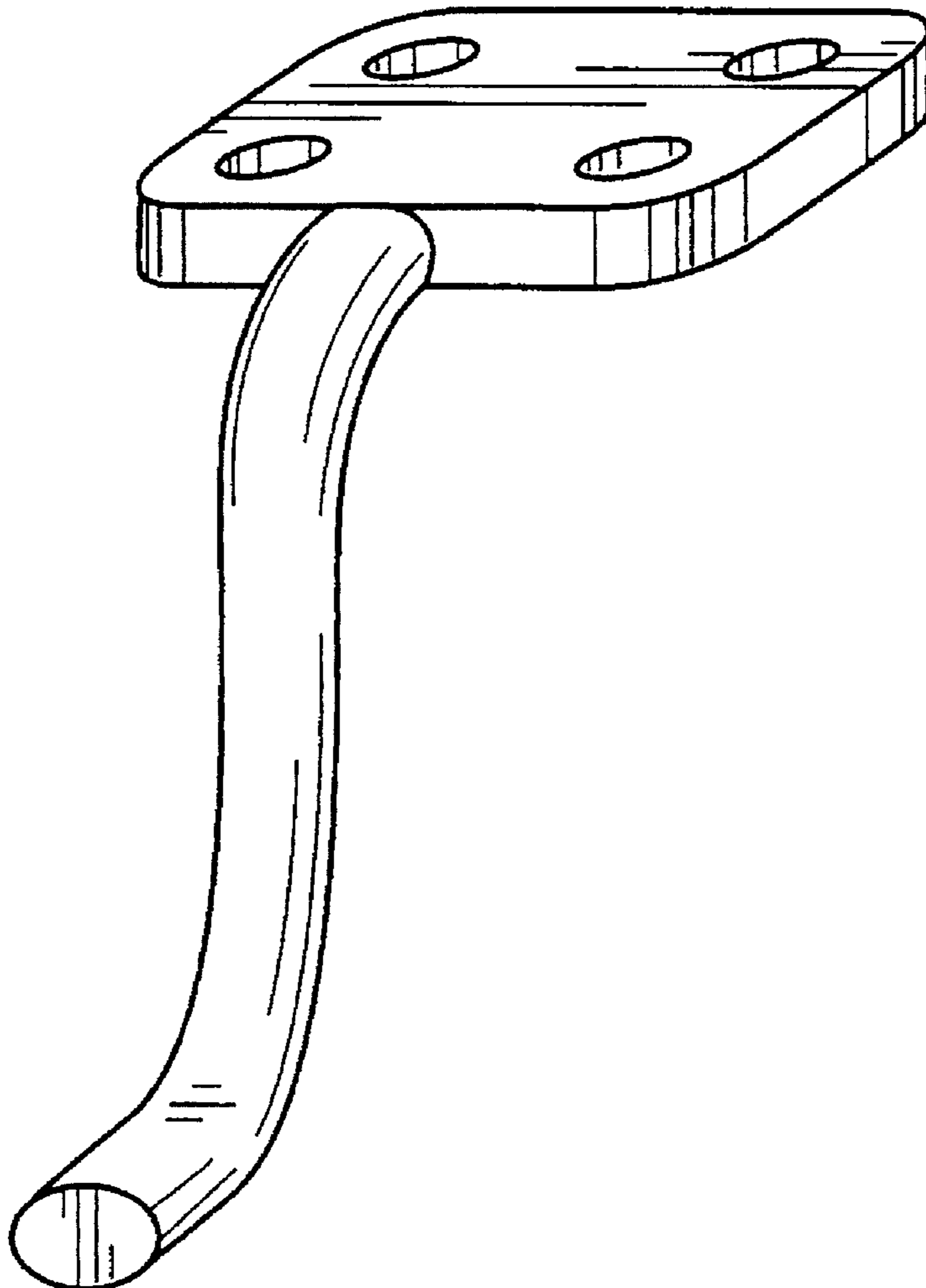
FIG. 1 is a front perspective view of a toilet seat handle showing my new design;
FIG. 2 is a rear view thereof;
FIG. 3 is a right side view thereof;
FIG. 4 is a left side view thereof;
FIG. 5 is a top view thereof; and,
FIG. 6 is a bottom view thereof.

[56] References Cited

U.S. PATENT DOCUMENTS

D. 94,073 12/1934 Chapman D8/309
D. 198,202 5/1964 Morgan D8/309
D. 354,800 1/1995 Sundberg D8/309

1 Claim, 3 Drawing Sheets



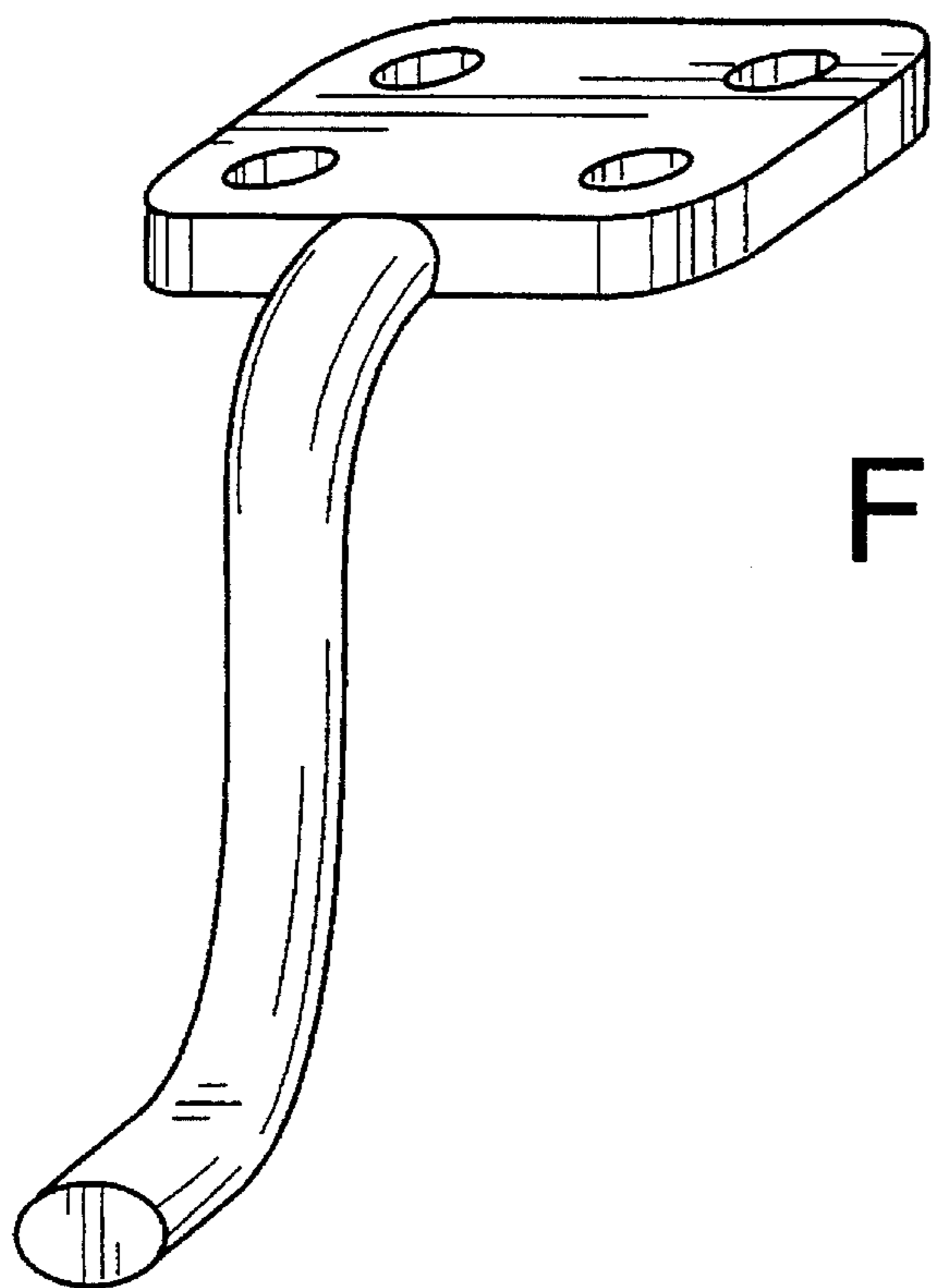


FIG. 1

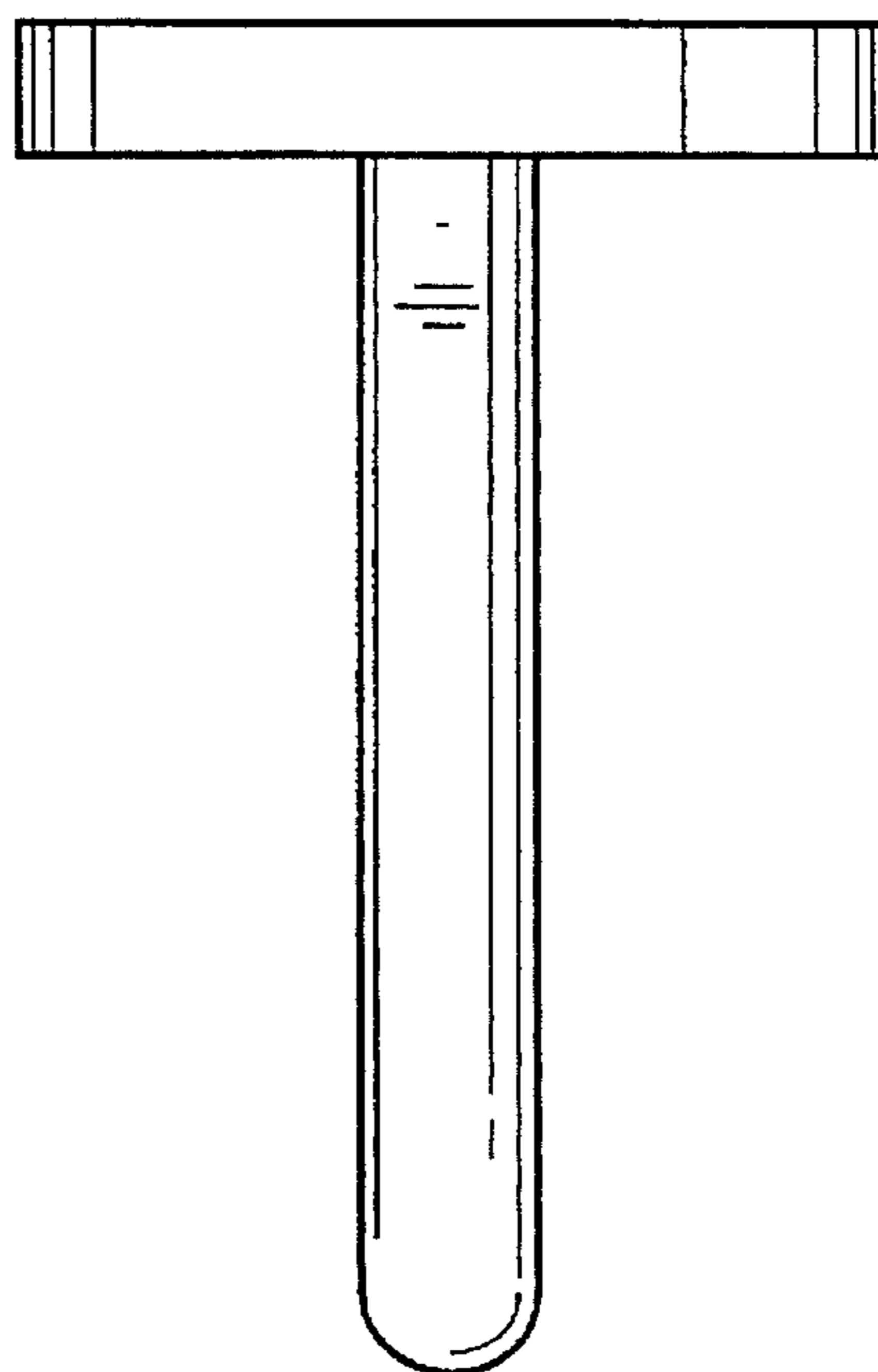


FIG. 2

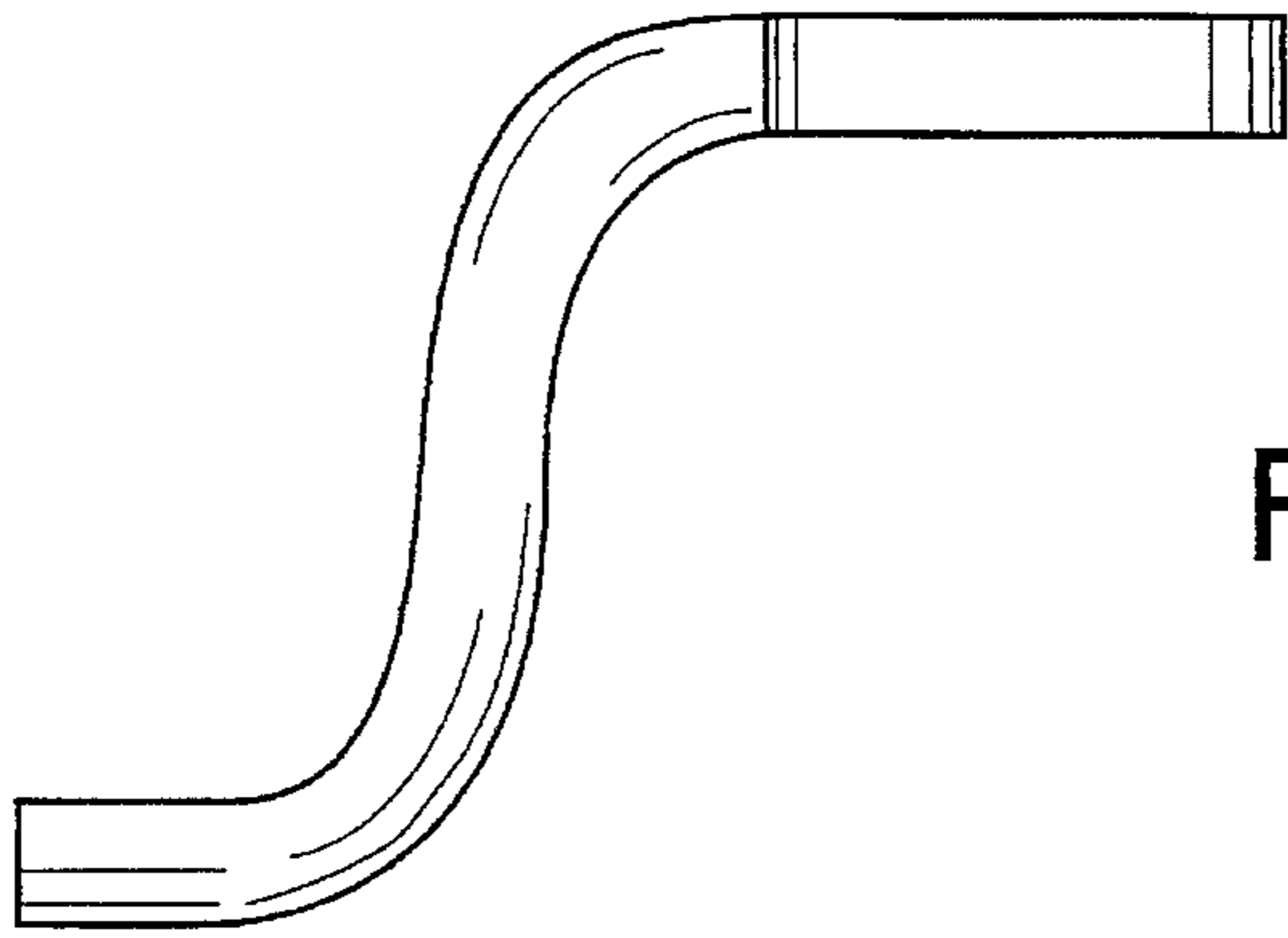


FIG. 3

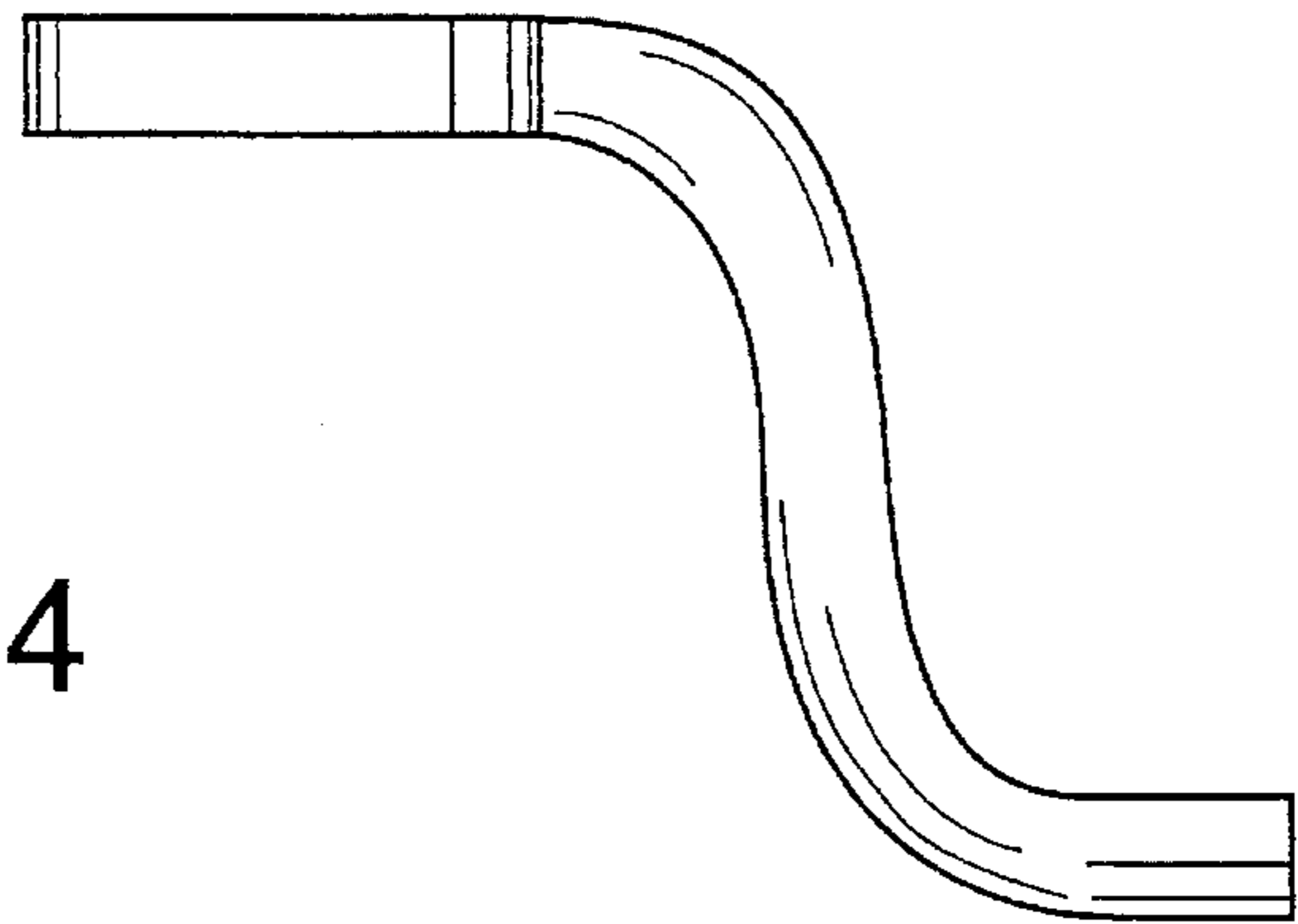


FIG. 4

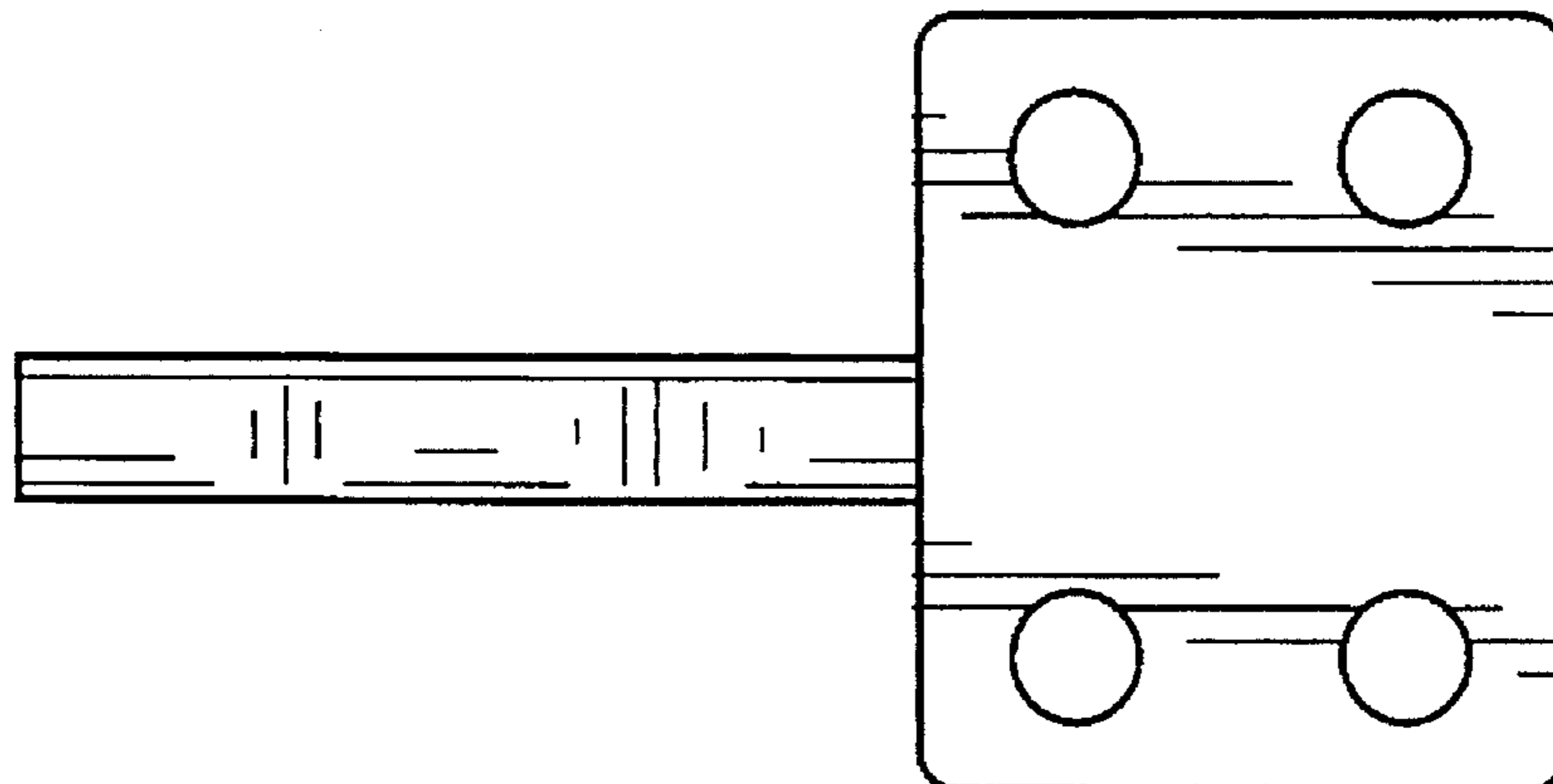


FIG. 5

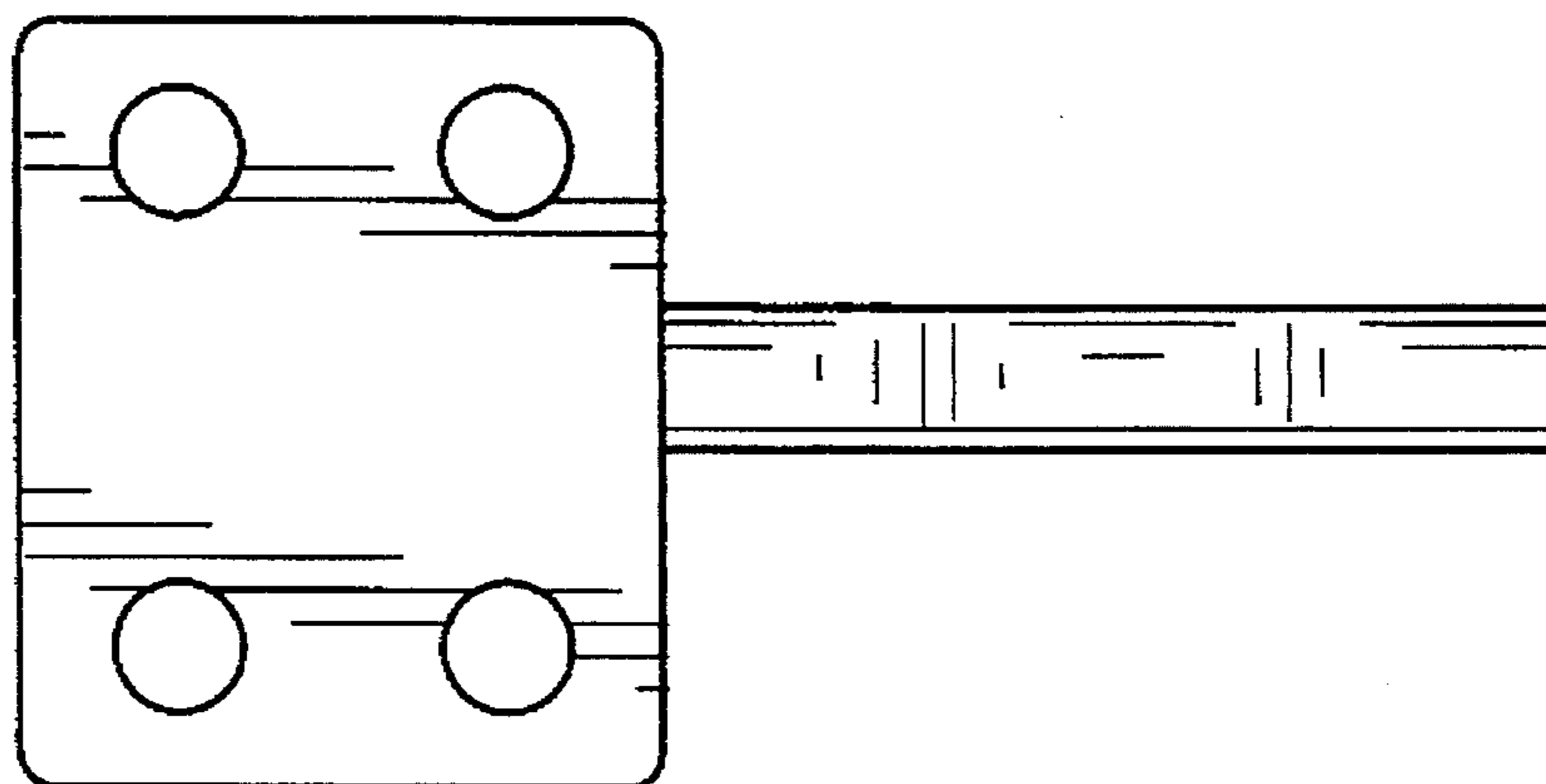


FIG. 6