



US00D373818S

# United States Patent [19]

[11] Patent Number: **Des. 373,818**

Sanchez et al.

[45] Date of Patent: **\*\*Sep. 17, 1996**

[54] TOILET

D. 353,450 12/1994 Anderson et al. .... D23/301

[75] Inventors: **Richard Sanchez**, Bellflower, Calif.;  
**Sun C. Chou**, Taipei, Taiwan

*Primary Examiner*—Stella Reid  
*Assistant Examiner*—E. Watterson  
*Attorney, Agent, or Firm*—Wigman, Cohen, Leitner & Myers, P.C.

[73] Assignee: **Western Pottery Company, Inc.**,  
Paramount, Calif.

### [57] CLAIM

[\*\*] Term: **14 Years**

The ornamental design for a toilet, as shown and described.

[21] Appl. No.: **42,704**

### DESCRIPTION

[22] Filed: **Jun. 13, 1995**

[52] U.S. Cl. .... **D23/301**

[58] Field of Search ..... D23/295, 299,  
D23/301; 4/355, 421, 424, 428, 430

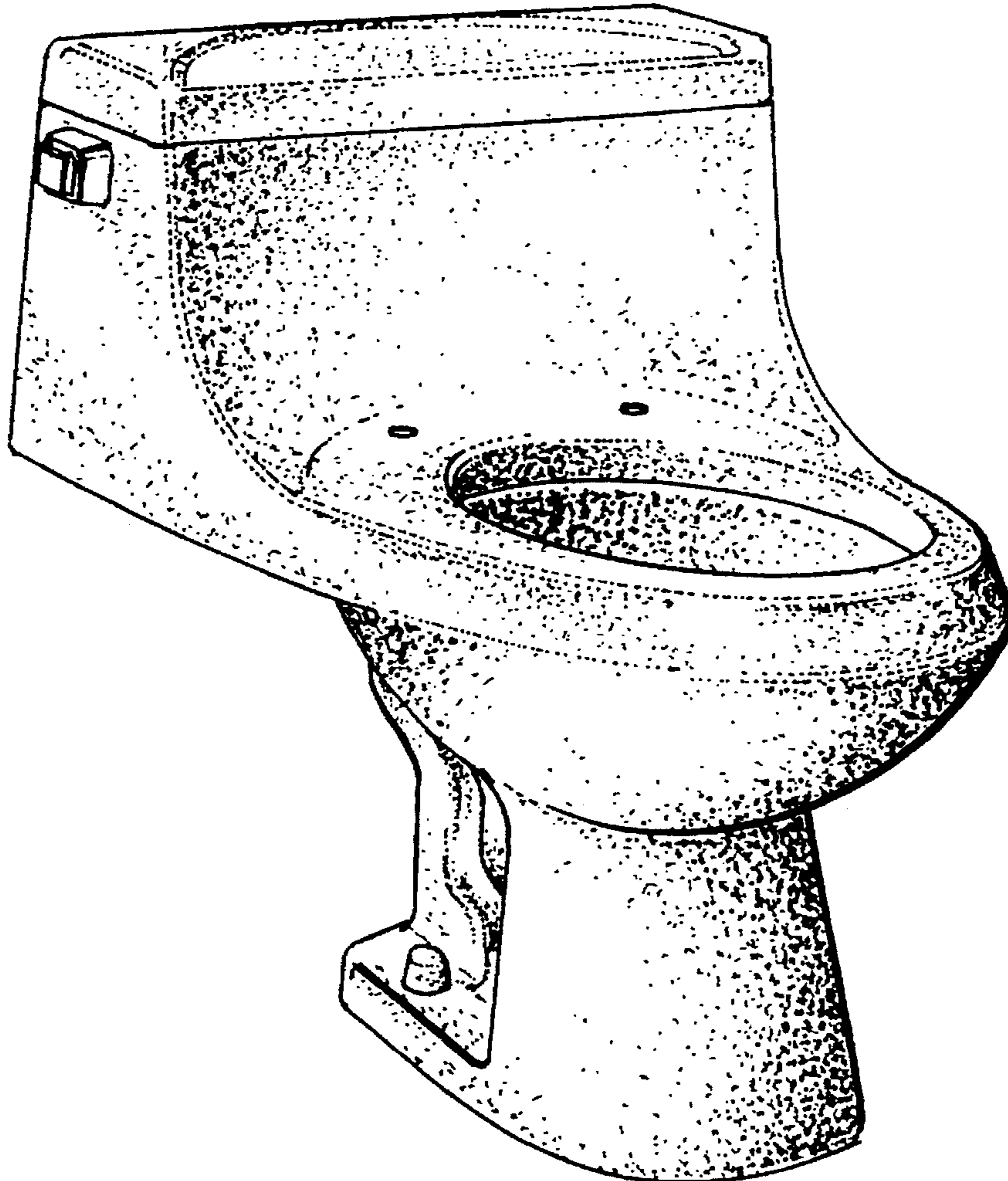
FIG. 1 is a perspective view of a toilet, showing our new design;  
FIG. 2 is a front elevational view thereof;  
FIG. 3 is a rear elevational view thereof;  
FIG. 4 is a top plan view thereof;  
FIG. 5 is a bottom plan view thereof;  
FIG. 6 is a side view thereof; and,  
FIG. 7 is a side elevational view thereof, opposite to that shown in FIG. 6.

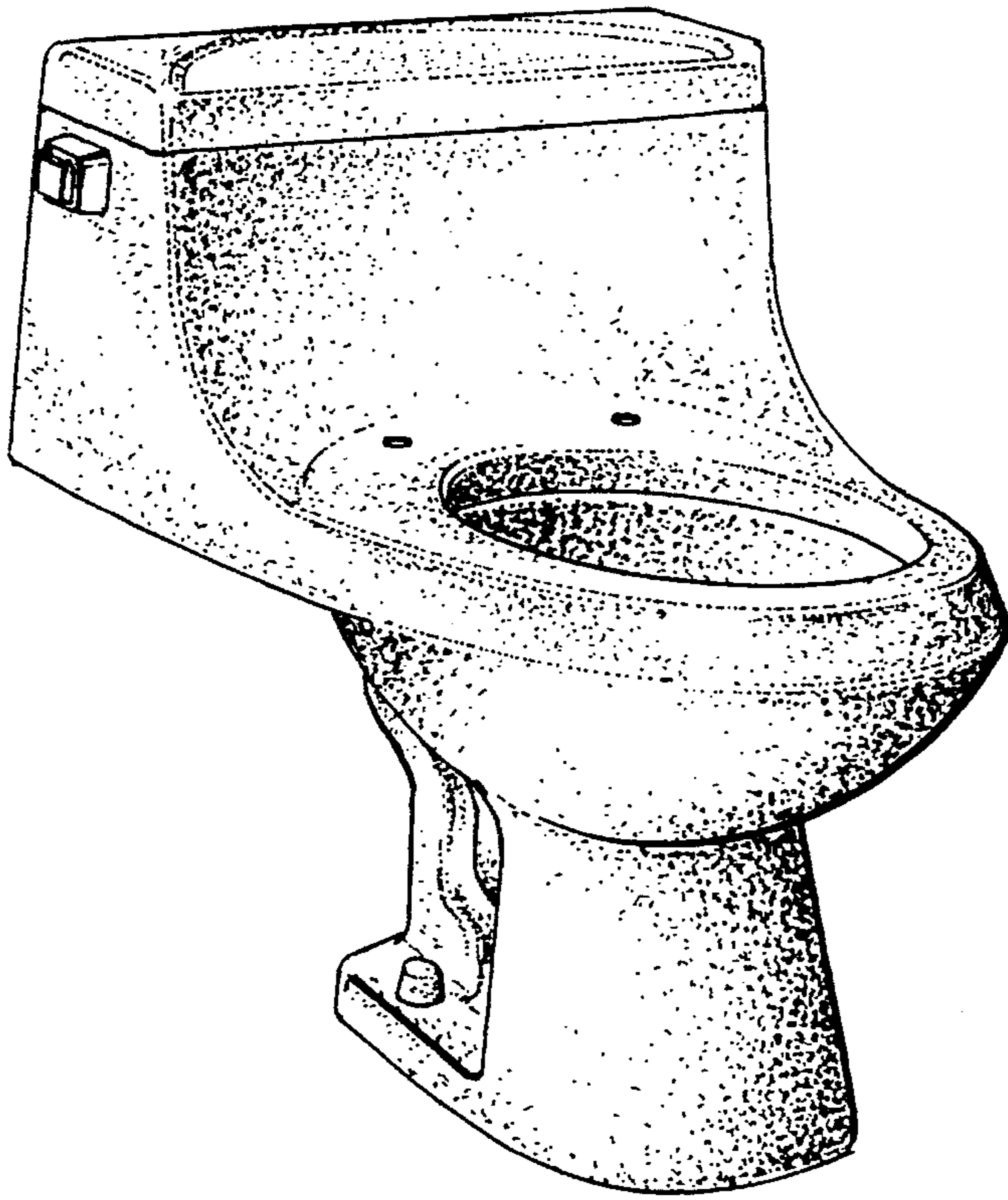
### [56] References Cited

#### U.S. PATENT DOCUMENTS

D. 268,780	4/1983	Doman et al. ....	D23/301
D. 271,326	11/1983	Doman et al. ....	D23/301
D. 314,236	1/1991	Ament .....	D23/301
D. 347,054	5/1994	Konler, Jr. et al. ....	D23/301

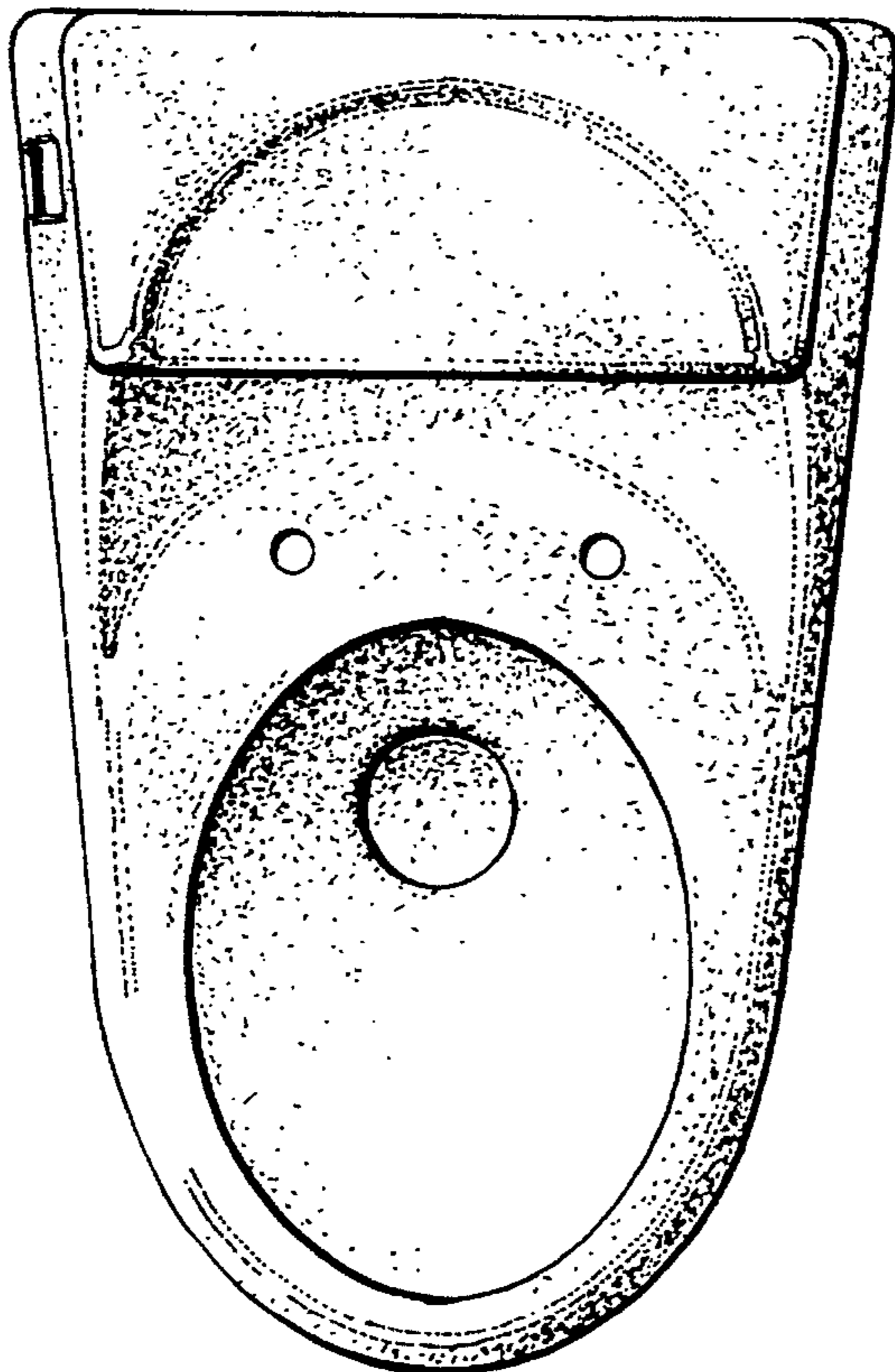
**1 Claim, 3 Drawing Sheets**



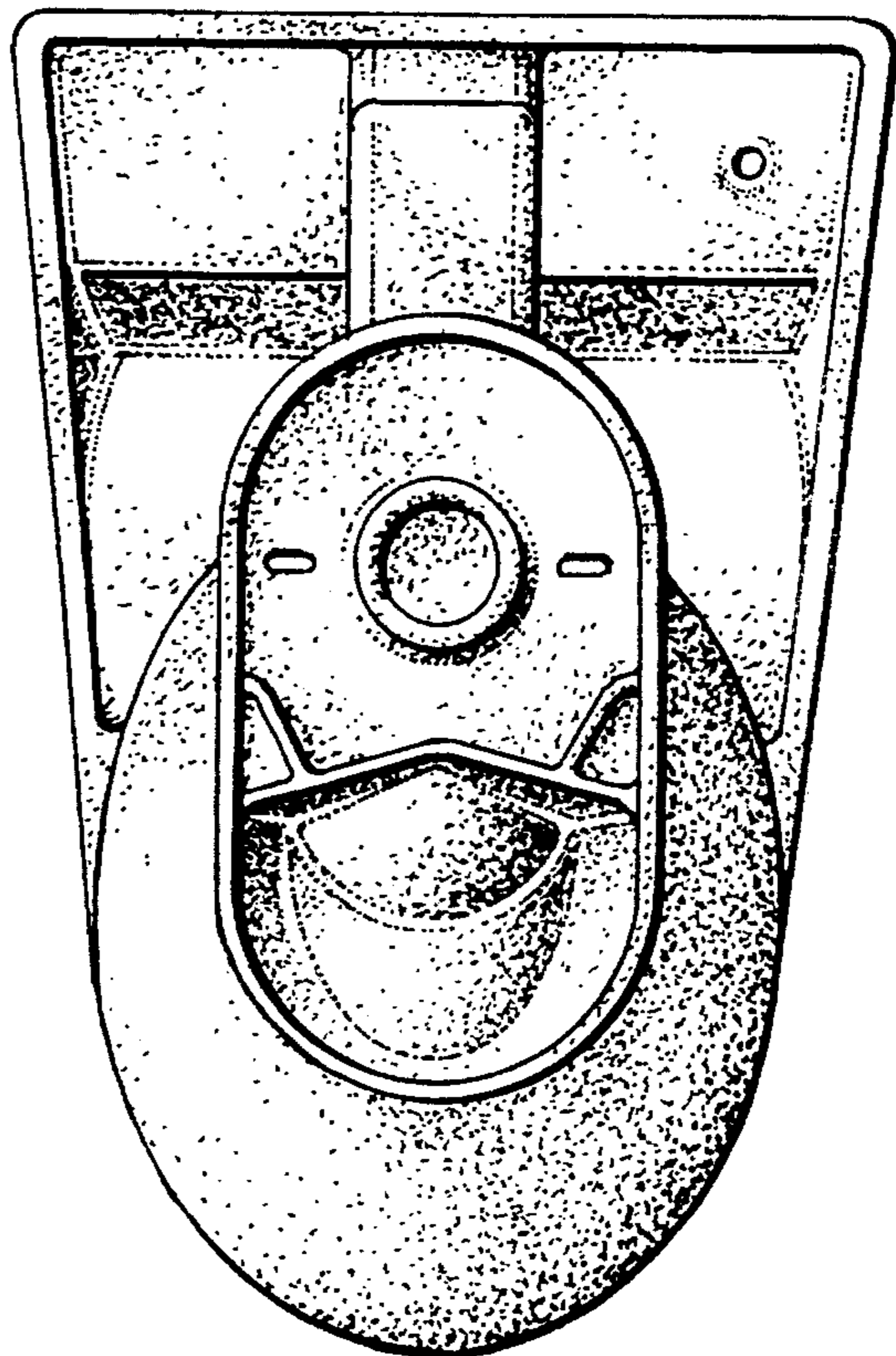


**FIG. 1**

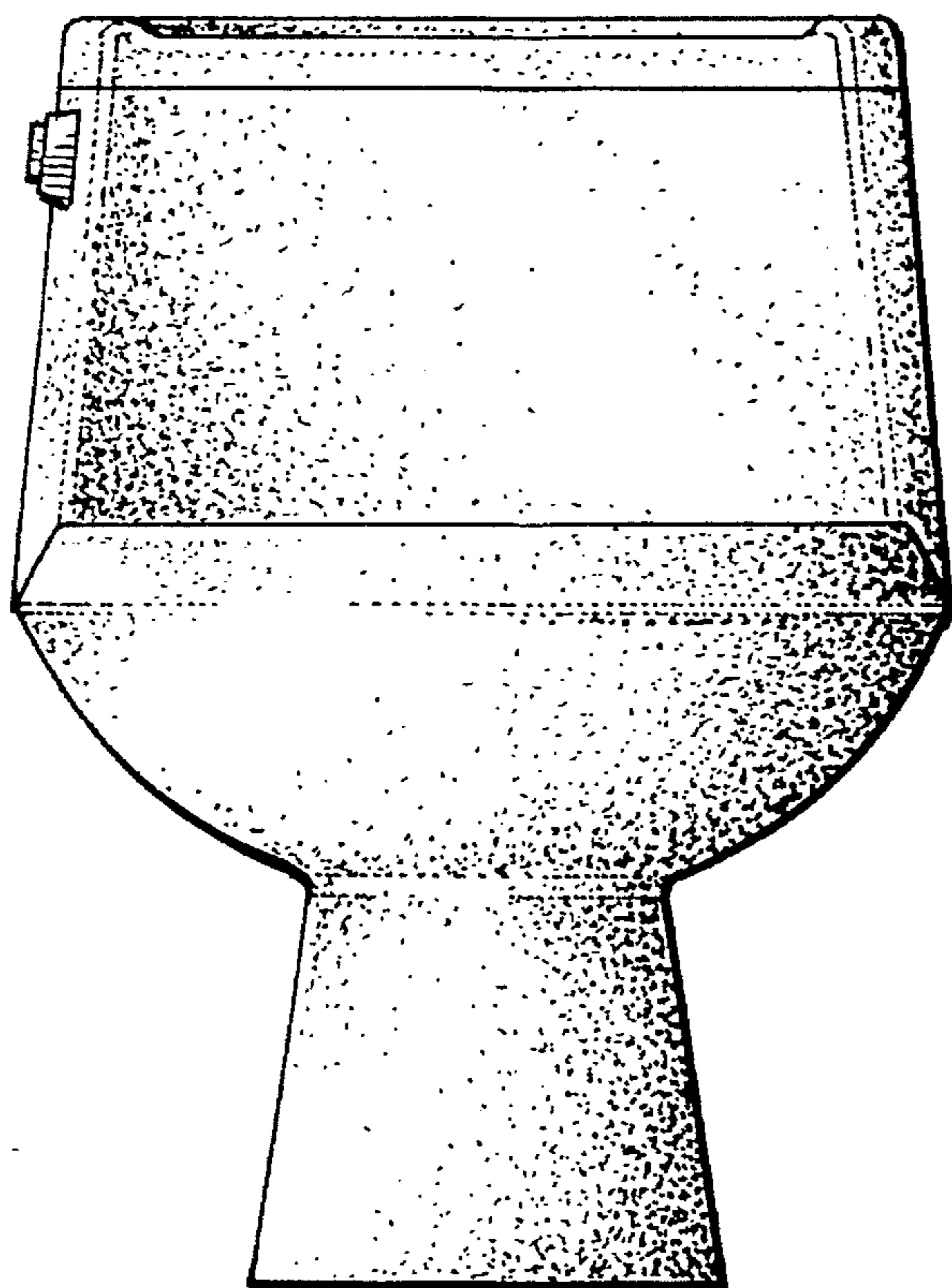
**FIG. 4**



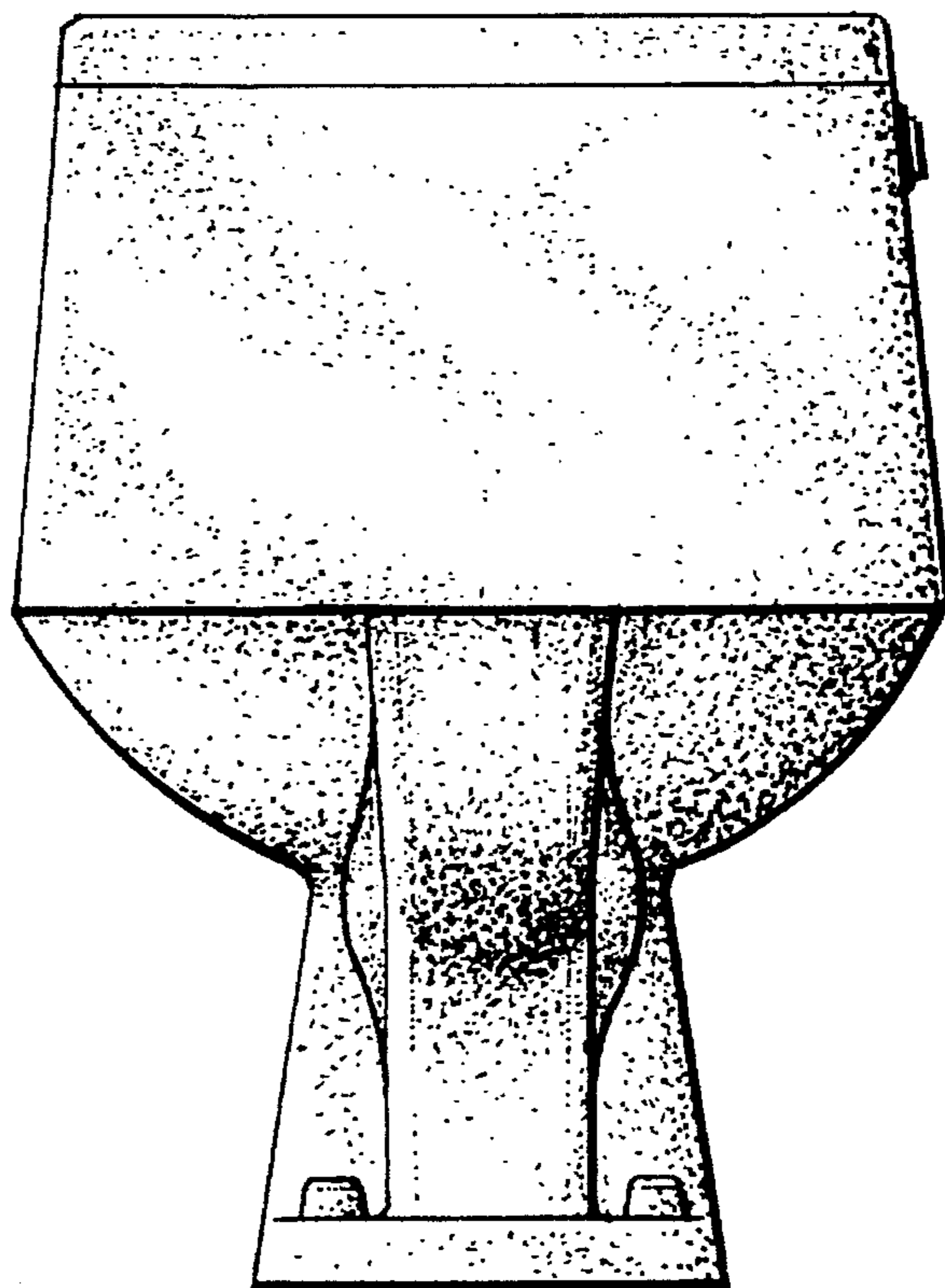
**FIG. 5**



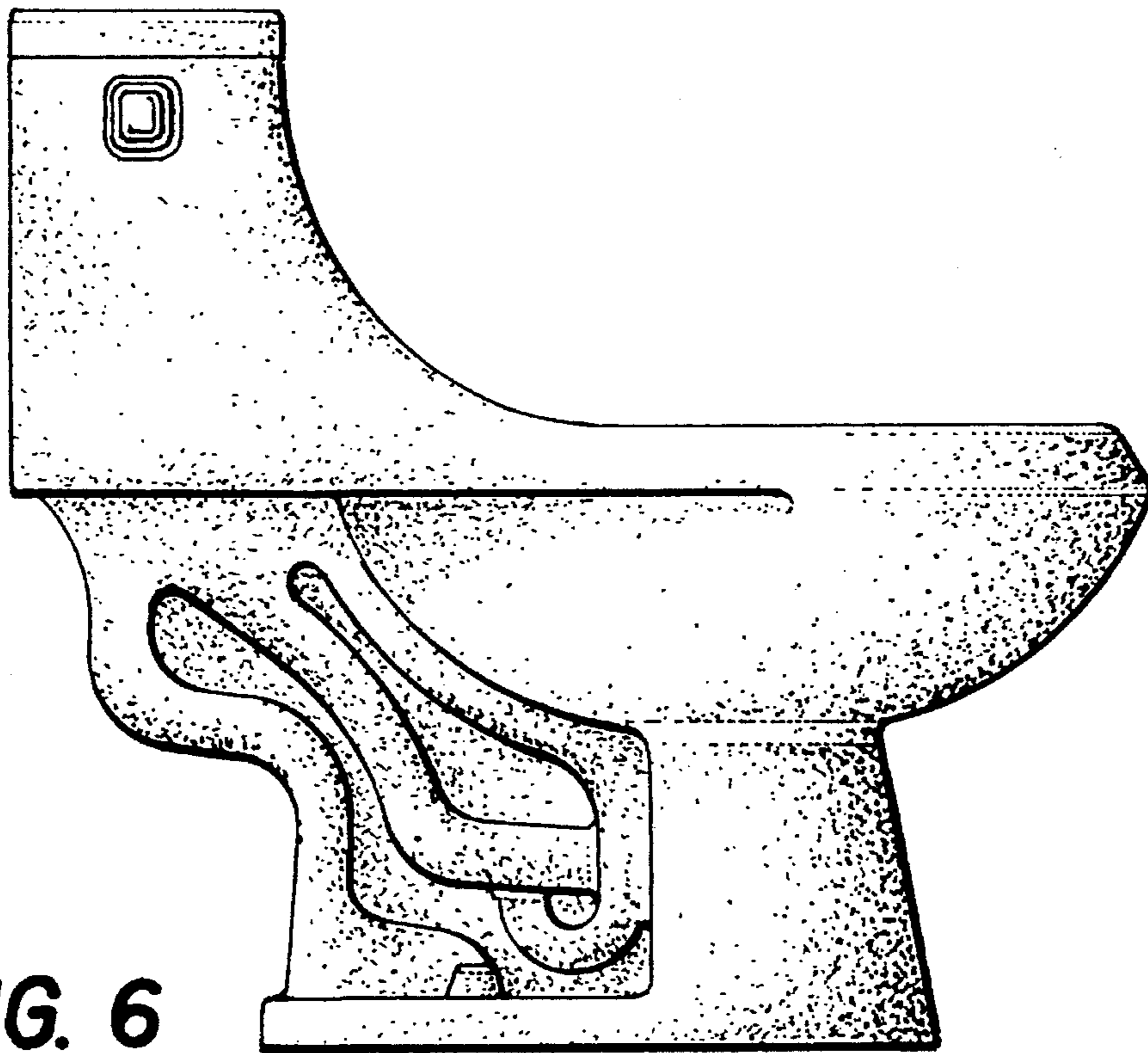




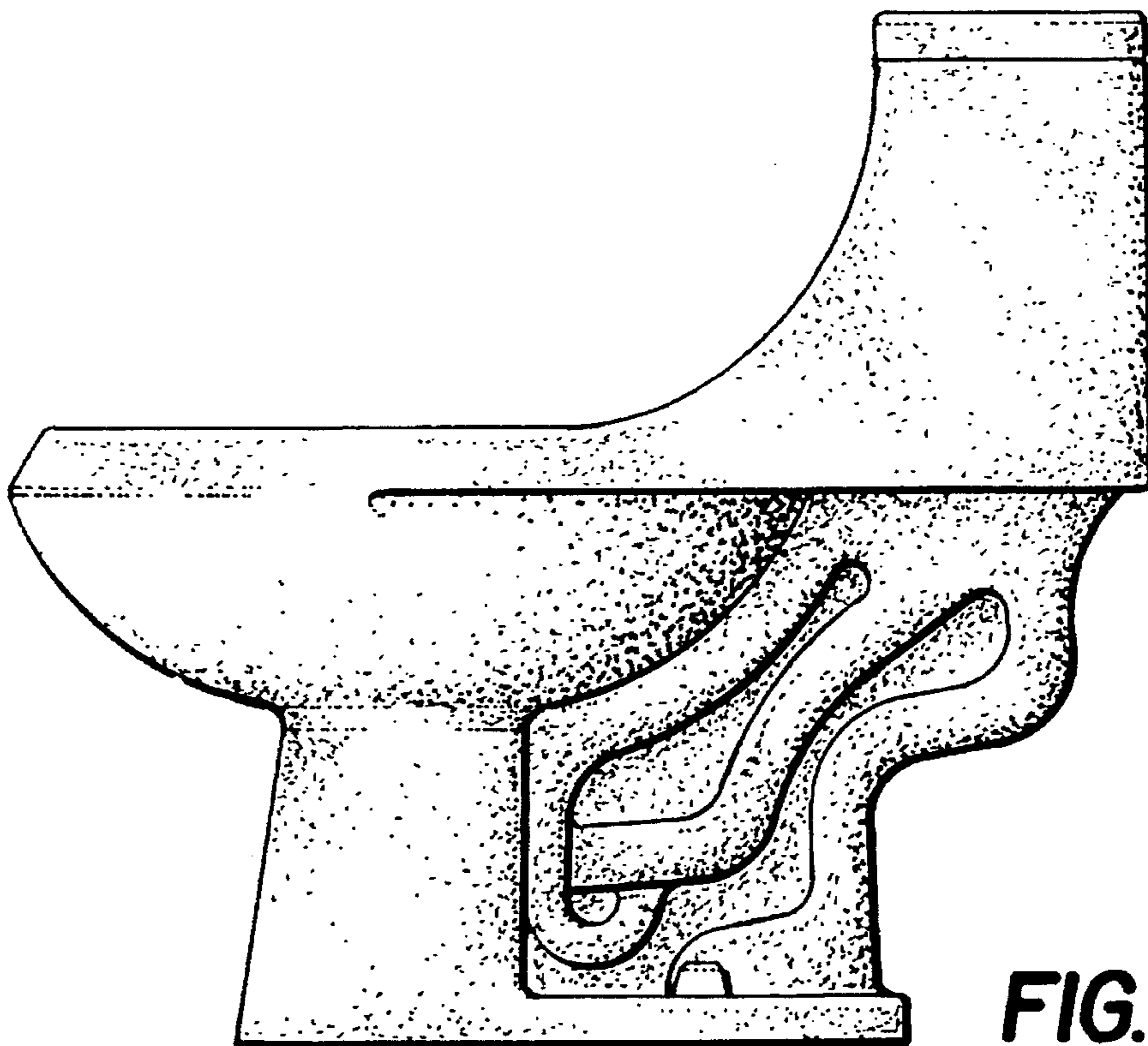
**FIG. 2**



**FIG. 3**



**FIG. 6**



**FIG. 7**