



US00D373817S

United States Patent [19]

Andronico

[11] Patent Number: **Des. 373,817**

[45] Date of Patent: ****Sep. 17, 1996**

[54] **BATHTUB**

[75] Inventor: **Federico Andronico**, Treviso, Italy

[73] Assignee: **Albatros System S.p.A.**, Pordenone, Italy

[**] Term: **14 Years**

[21] Appl. No.: **27,200**

[22] Filed: **Aug. 16, 1994**

[30] **Foreign Application Priority Data**

Mar. 10, 1994 [IT] Italy PN9400005

[52] **U.S. Cl.** **D23/277**

[58] **Field of Search** D23/275, 277, D23/279, 280.1, 280.2, 280.4, 283; 4/596, 600, 604, 605, 602, 607, 610, 612

[56] **References Cited**

U.S. PATENT DOCUMENTS

- D. 269,460 6/1983 Kowler, Jr. D23/280.2
- D. 289,079 3/1987 Rousseau D23/280.2

- D. 318,908 8/1991 Reid D23/280.1
- D. 319,094 8/1991 Richmond D23/280.1
- D. 321,555 11/1991 Dannenberg D23/280.1

Primary Examiner—Louis S. Zarfaz
Assistant Examiner—Eric Watterson
Attorney, Agent, or Firm—Wenderoth, Lind & Ponack

[57] **CLAIM**

The ornamental design for a bathtub, as shown and described.

DESCRIPTION

FIG. 1 is a front, top, perspective view of a bathtub showing my new design;
FIG. 2 is a front, top, right side perspective view thereof;
FIG. 3 is a rear, top, perspective view thereof;
FIG. 4 is a left side perspective view, the right side being a mirror image thereof;
FIG. 5 is a top plan view thereof; and,
FIG. 6 is a bottom plan view thereof.
The broken line showing is for illustrating purposes only and forms no part of the claimed design.

1 Claim, 4 Drawing Sheets

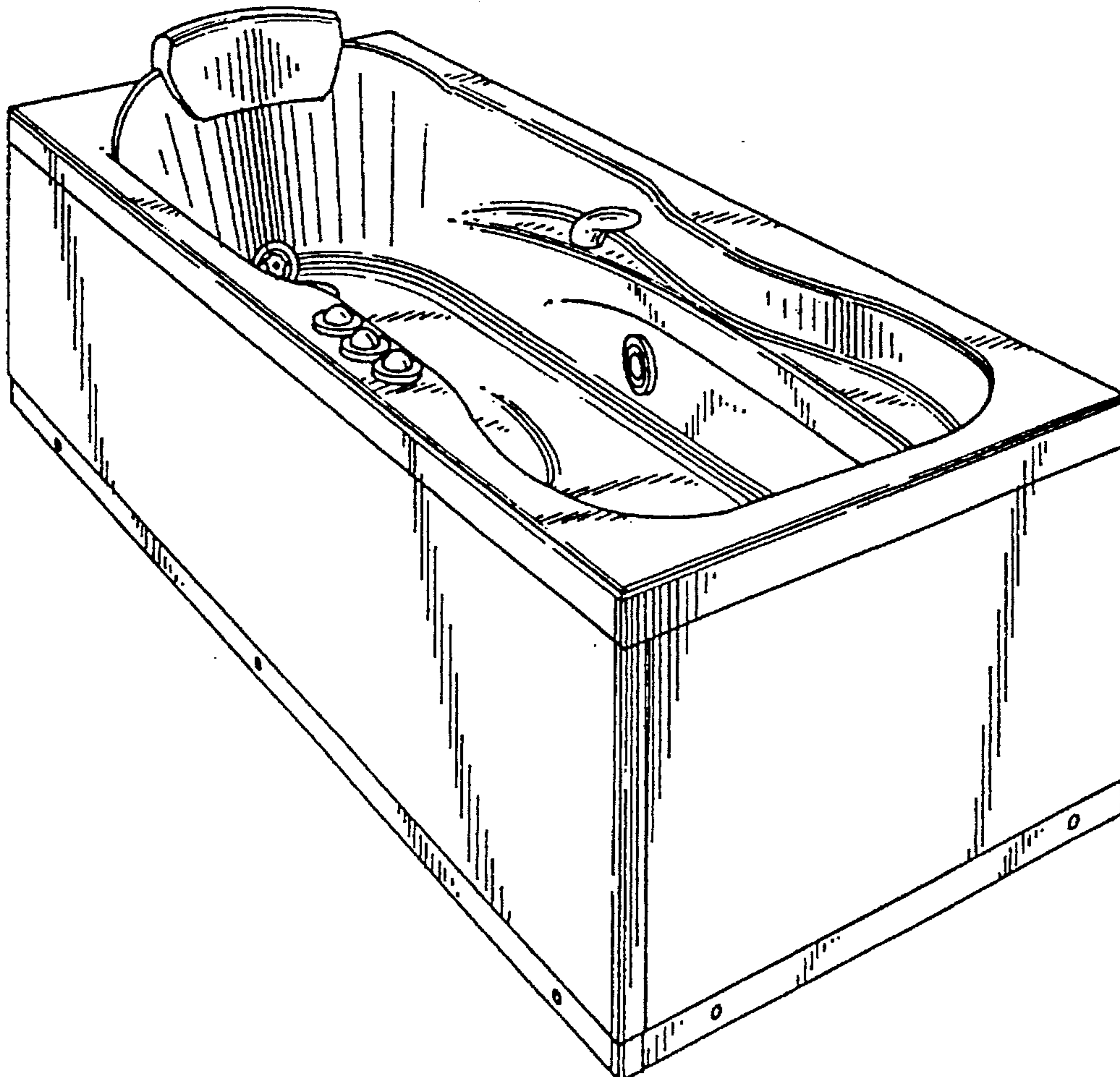


FIG. 1

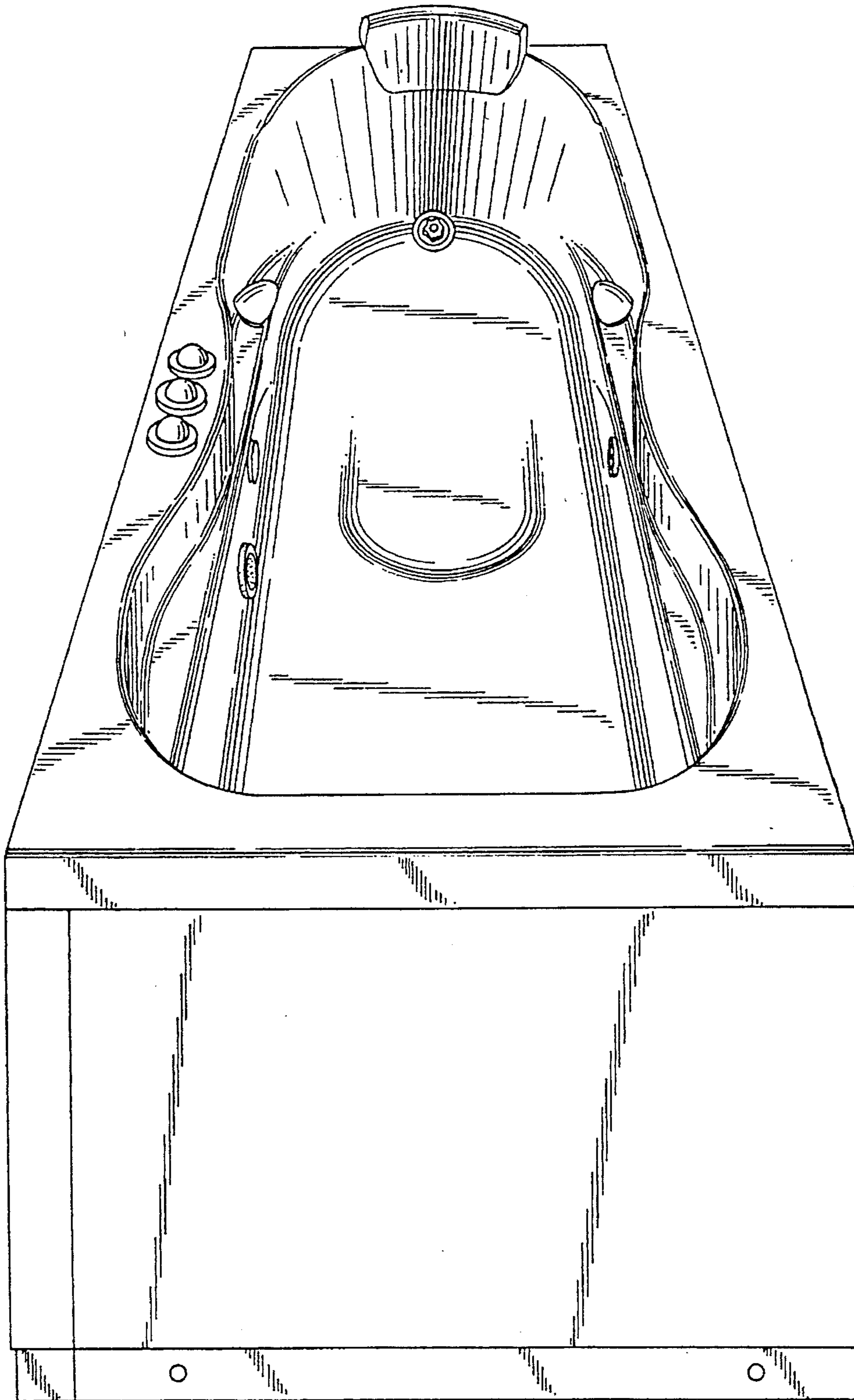


FIG. 2

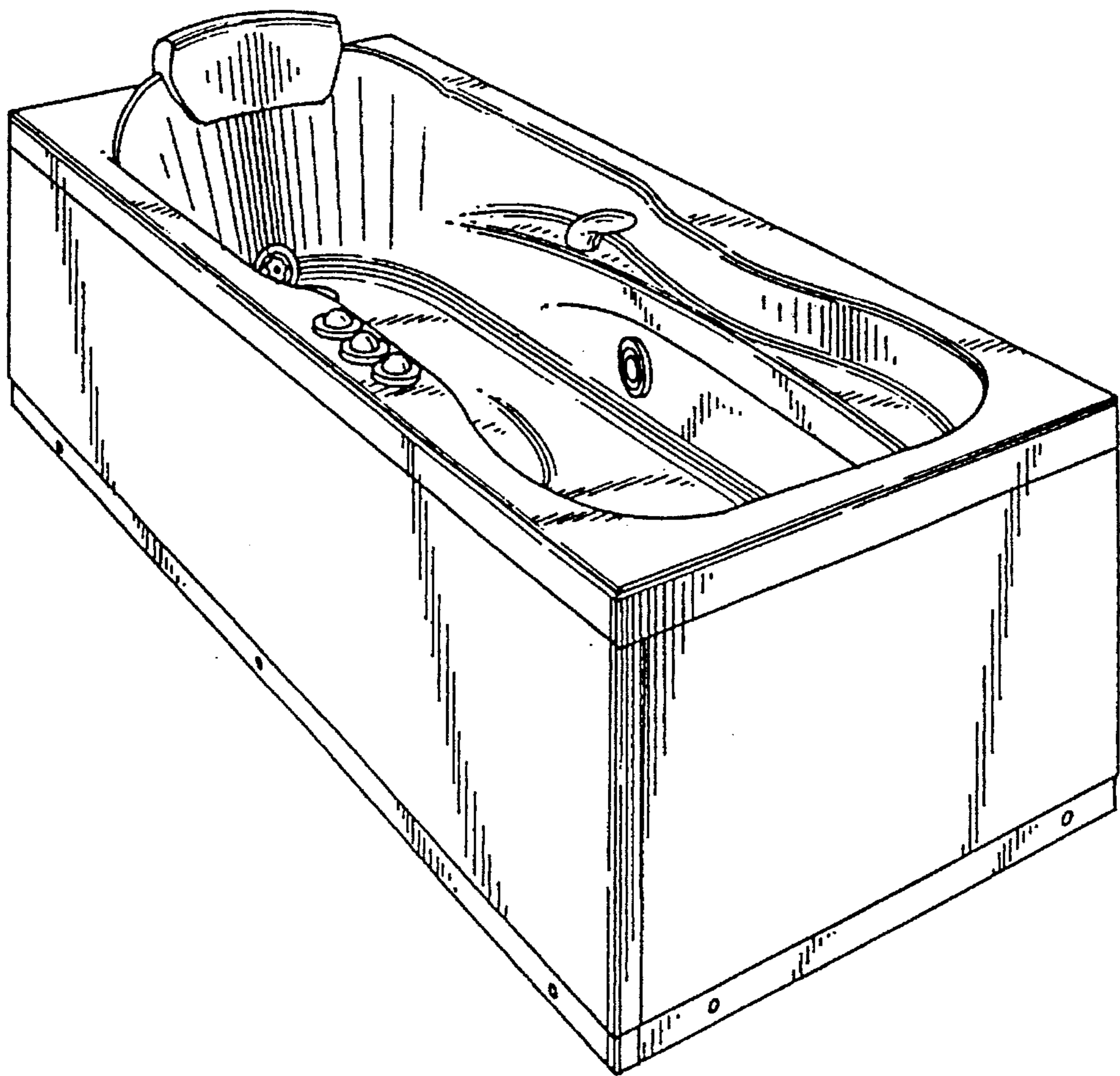


FIG. 3

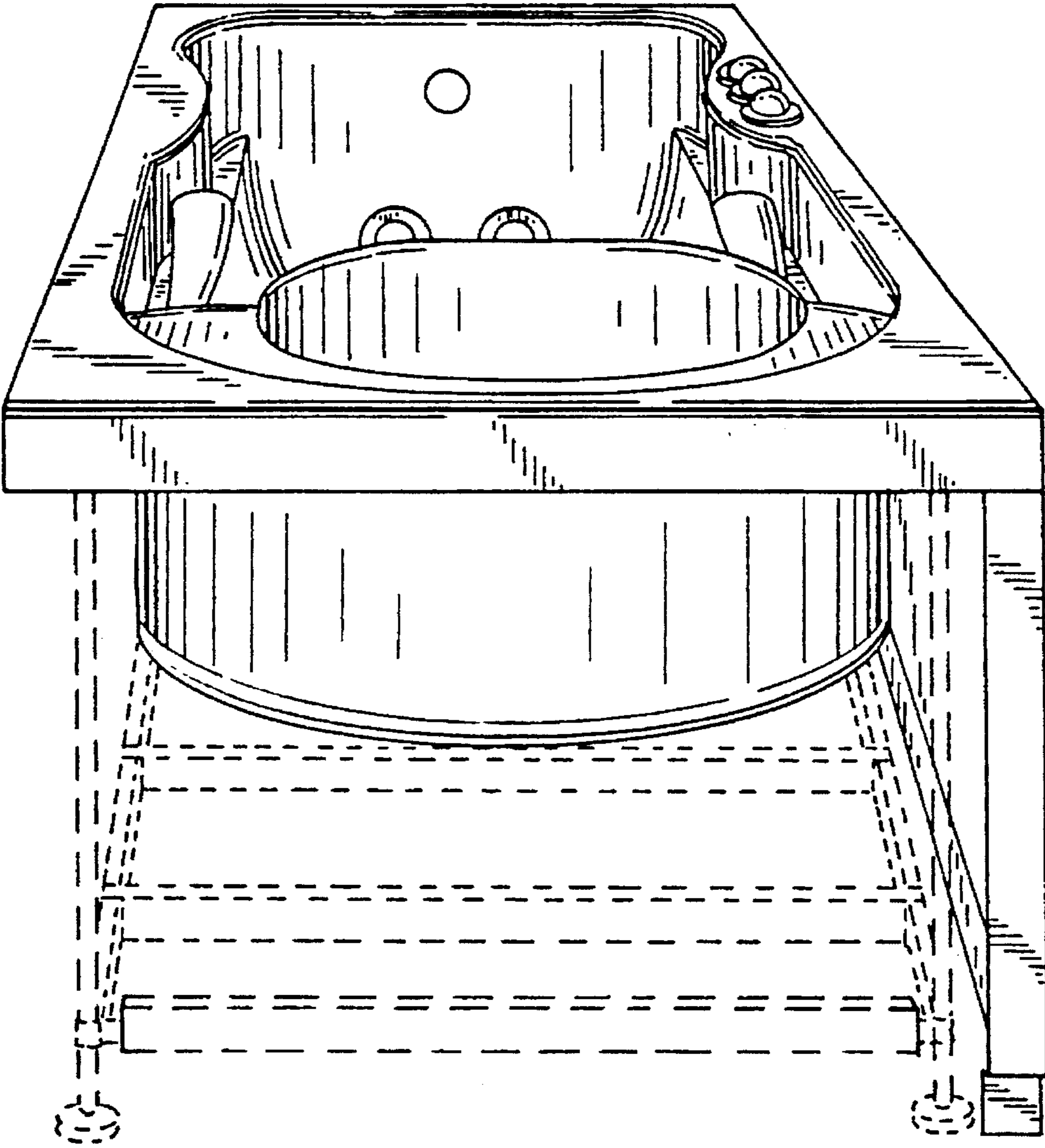


FIG. 4

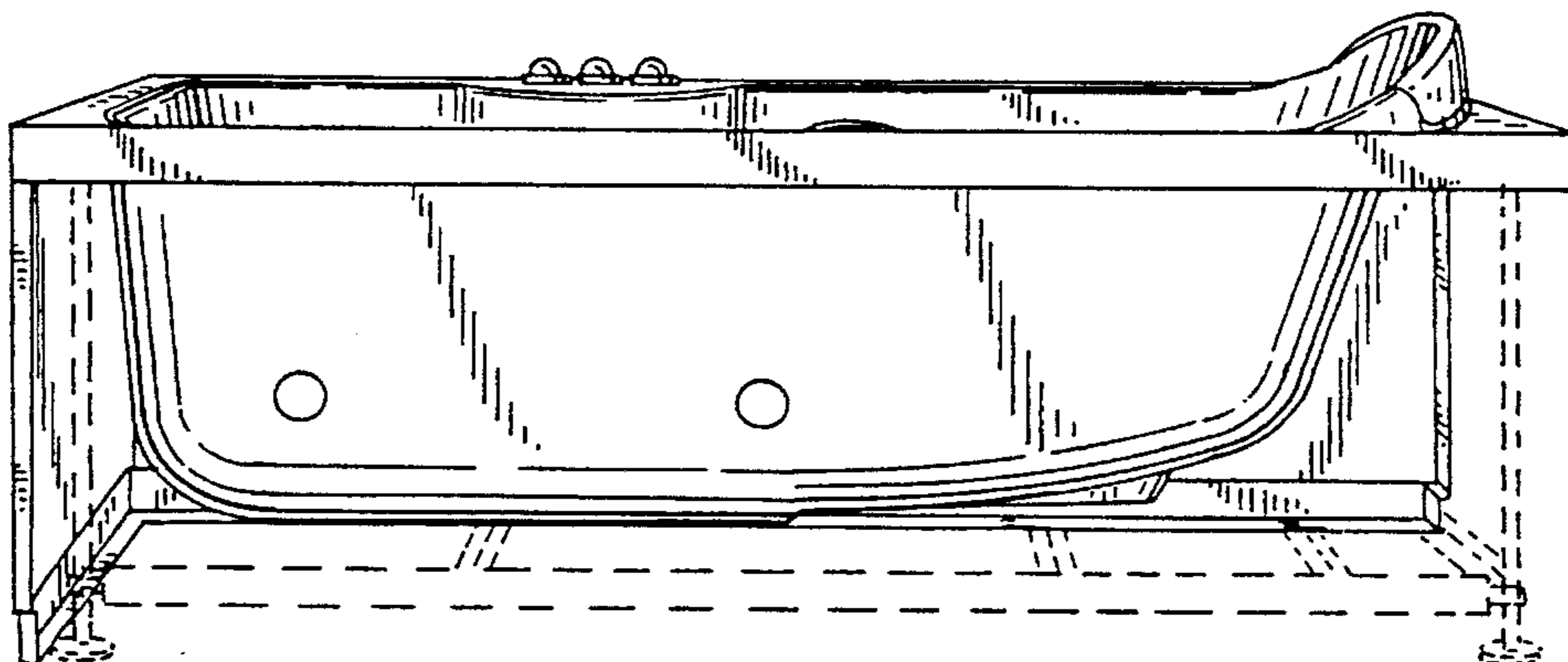


FIG. 5

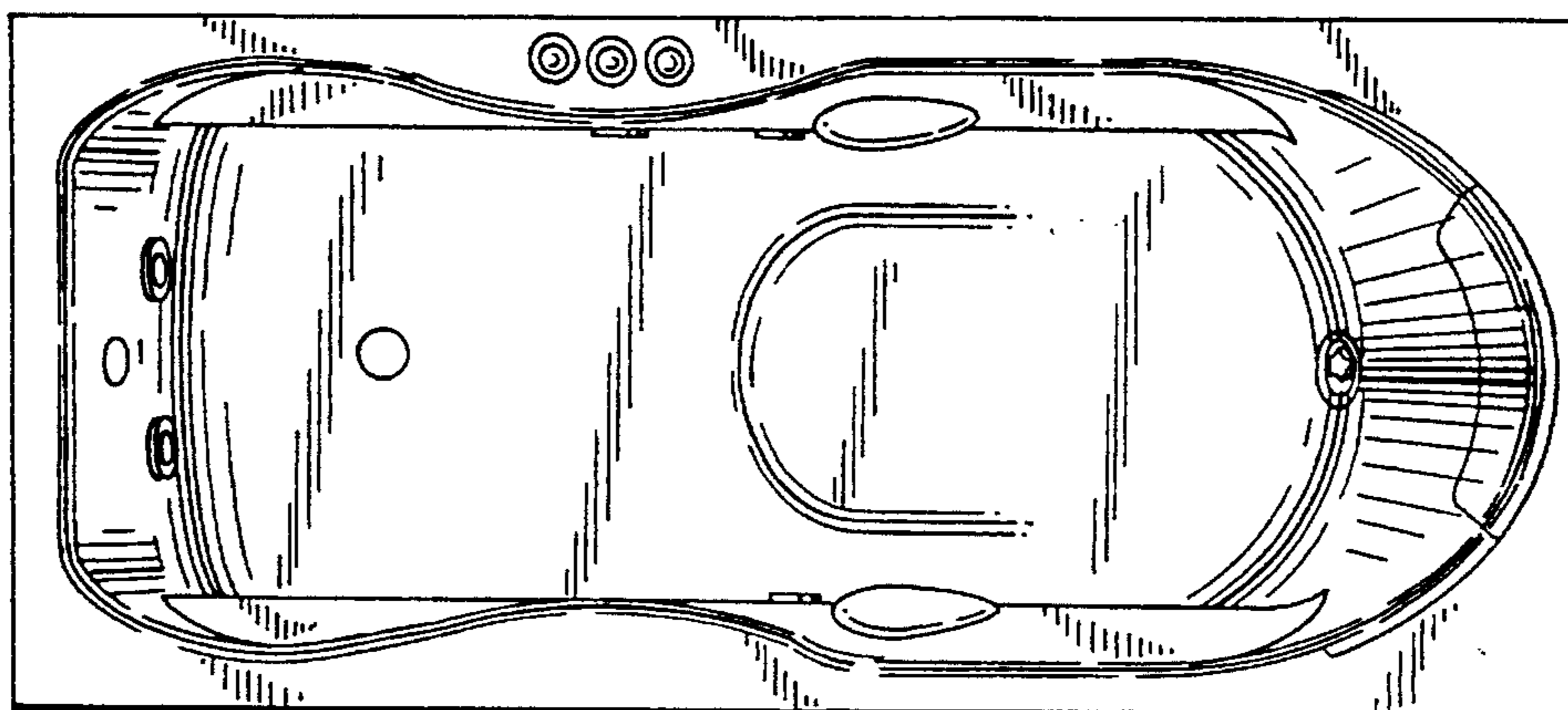


FIG. 6

