



US00D373815S

United States Patent [19]
Chaney

[11] **Patent Number: Des. 373,815**

[45] **Date of Patent: **Sep. 17, 1996**

[54] **FAUCET**

[75] **Inventor: David B. Chaney, Westerville, Ohio**

[73] **Assignee: Amy Controls Inc., Valencia, Calif.**

[**] **Term: 14 Years**

[21] **Appl. No.: 42,018**

[22] **Filed: Jul. 31, 1995**

[52] **U.S. Cl. D23/241**

[58] **Field of Search D23/238-243,
D23/250-257; 4/675-678; 137/887**

[56] **References Cited**

U.S. PATENT DOCUMENTS

- D. 329,083 9/1992 Dannenberg .
- D. 349,330 8/1994 Sauter et al. .
- D. 350,591 9/1994 Kawakami .
- D. 368,132 3/1996 Errington .

Primary Examiner—Stella Reid
Assistant Examiner—Eric Watterson
Attorney, Agent, or Firm—Kelly Bauerfeld & Lowry

[57] **CLAIM**

The ornamental design for a faucet, as shown and described.

DESCRIPTION

FIG. 1 is a perspective view showing the front and left sides of a faucet embodying the new design;

FIG. 2 is a left side elevational view thereof;

FIG. 3 is a front elevational view thereof;

FIG. 4 is a right side elevational view thereof;

FIG. 5 is a rear elevational view thereof; and,

FIG. 6 is a top plan view thereof.

The bottom plan view of the faucet is plain and unornamented.

1 Claim, 2 Drawing Sheets

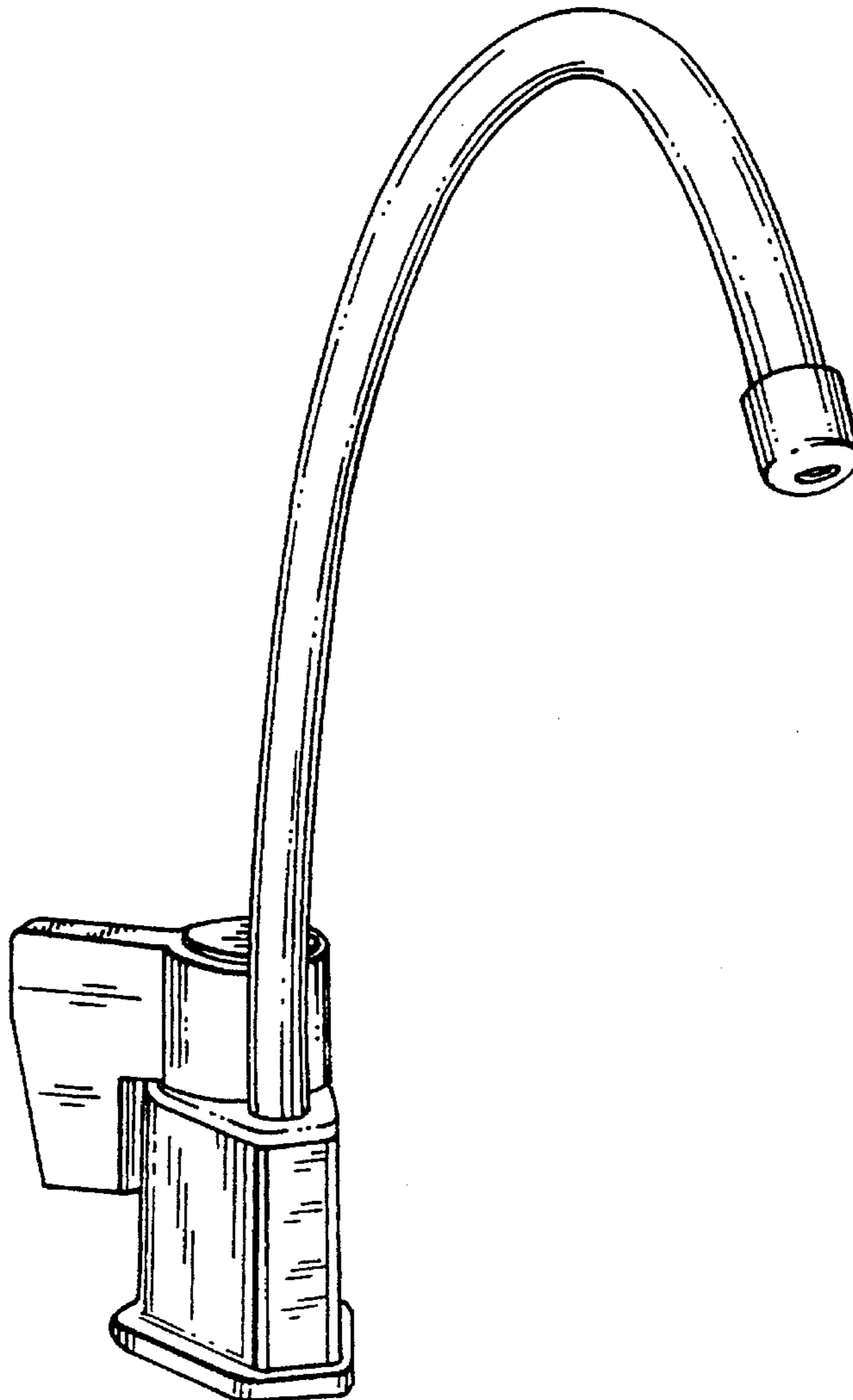


FIG. 1

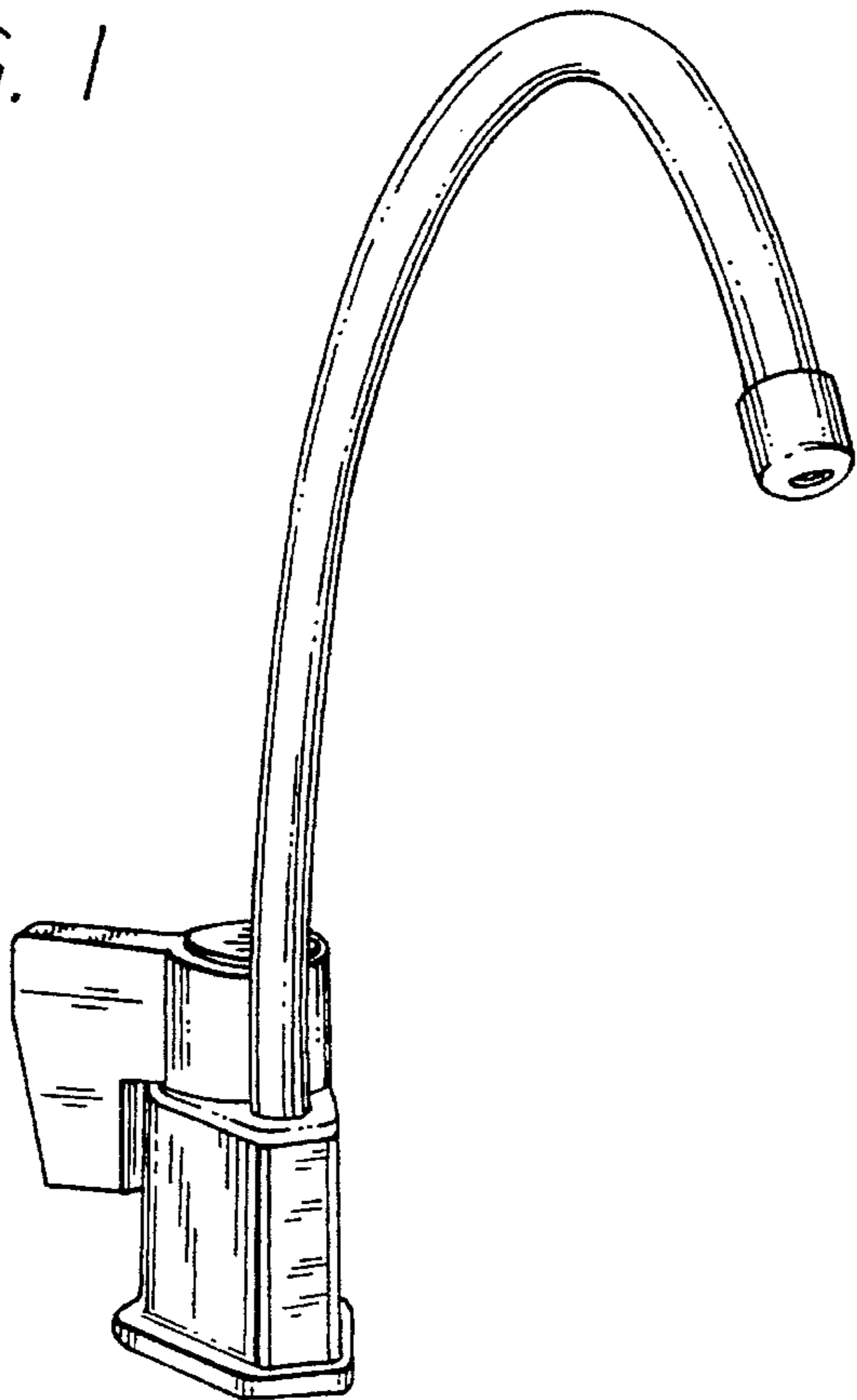


FIG. 3

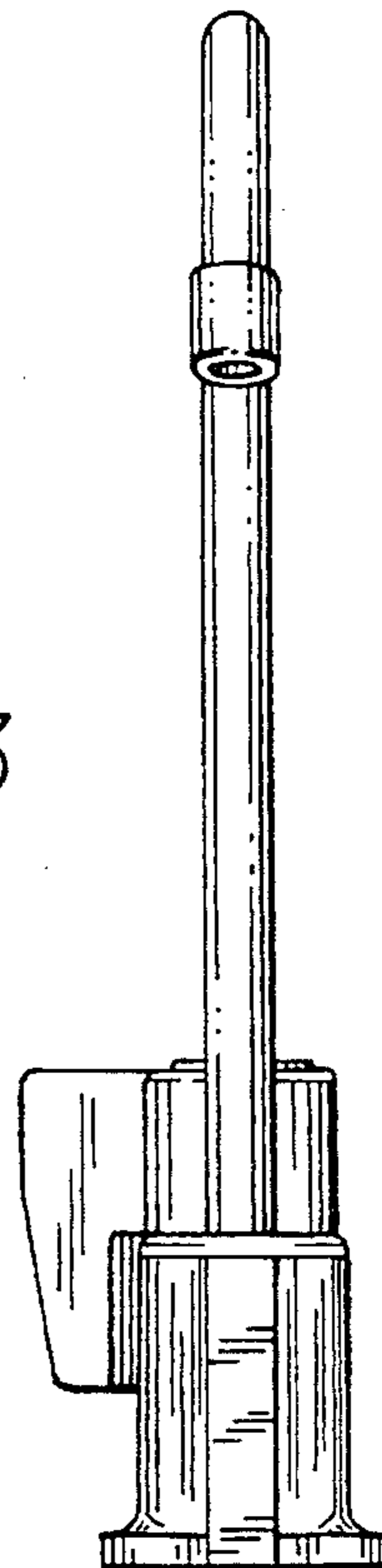


FIG. 2

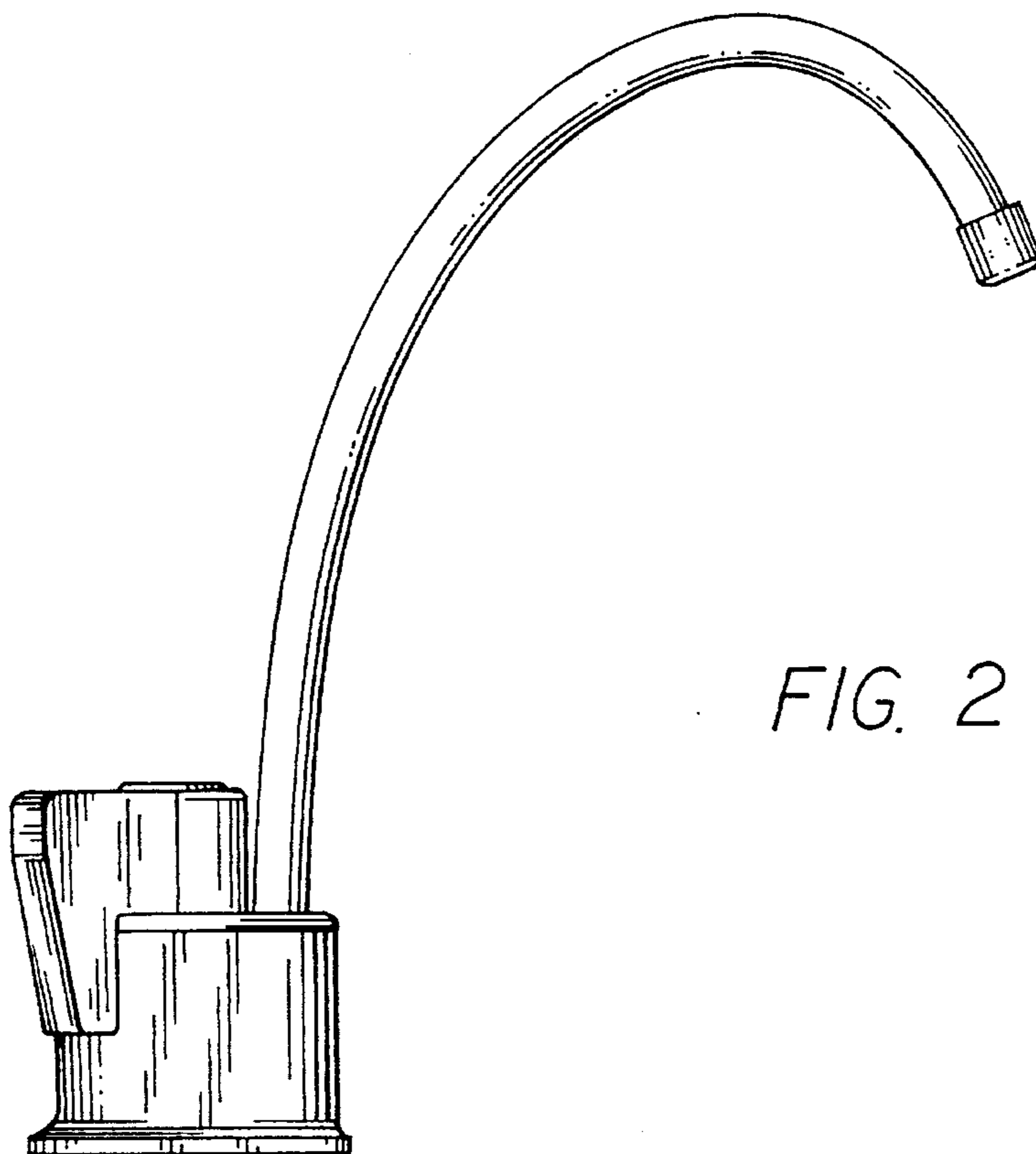


FIG. 5

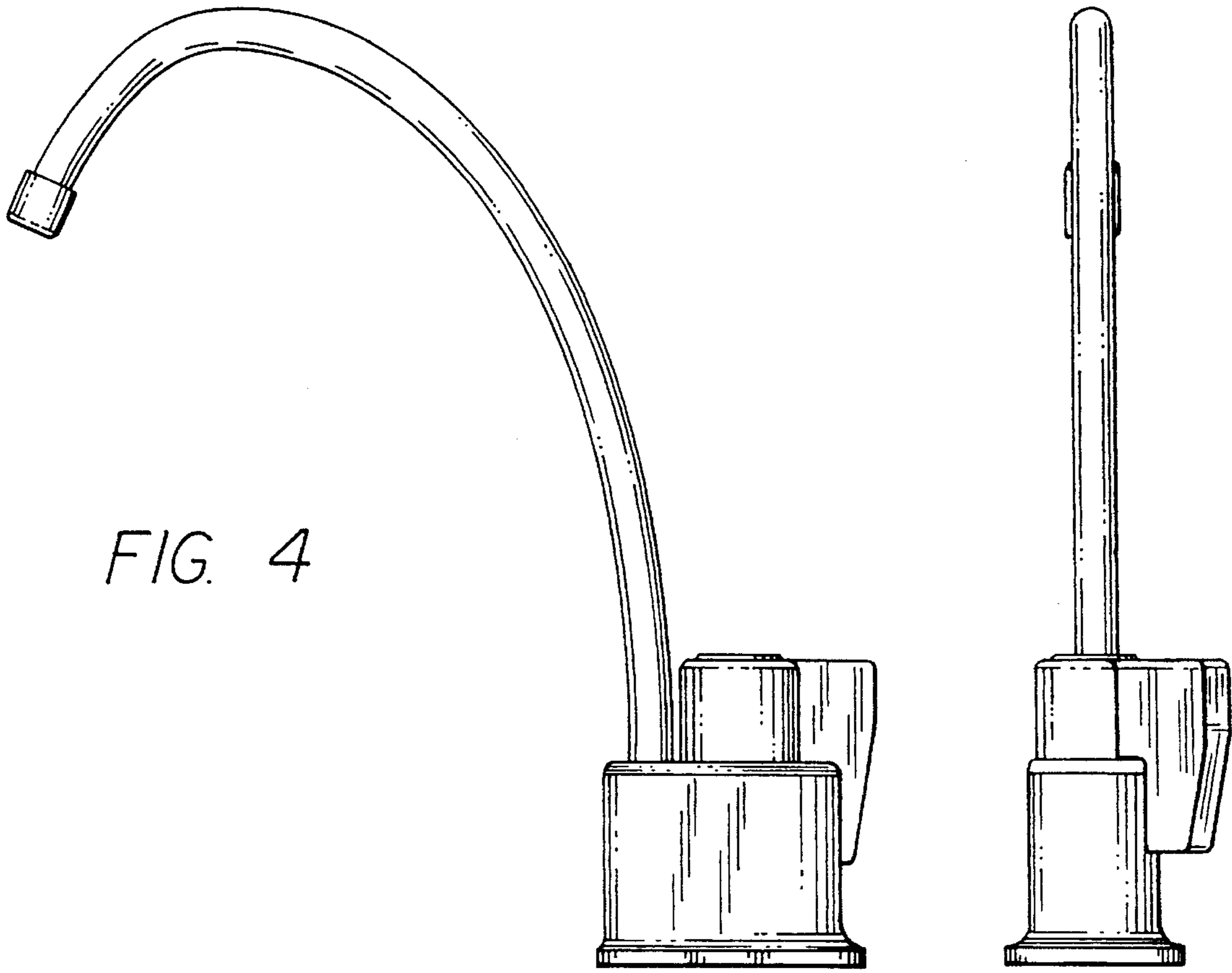


FIG. 4

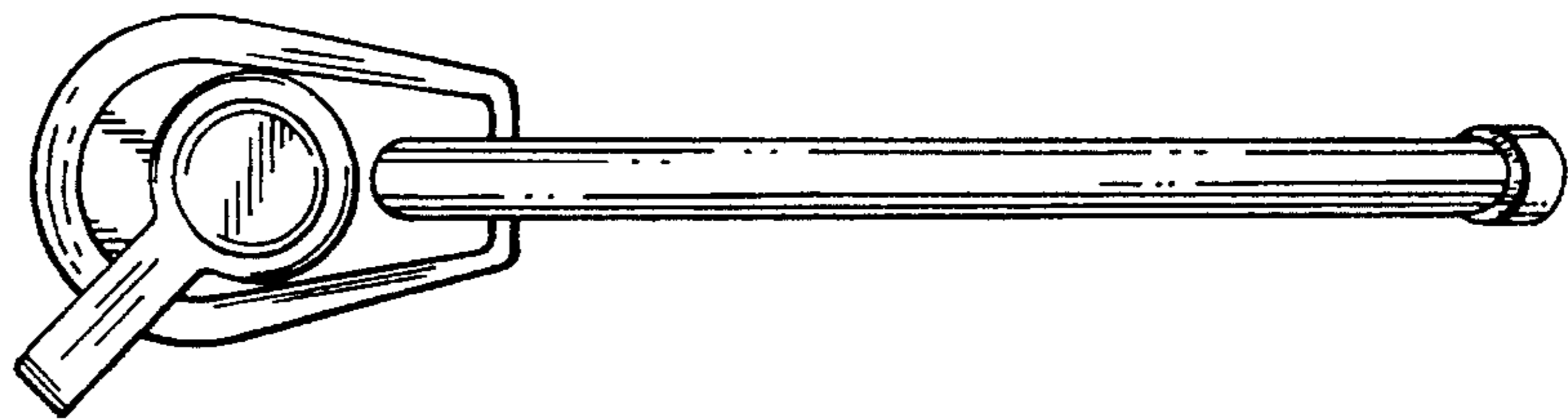


FIG. 6