



US00D373814S

**United States Patent** [19]  
**Wang**

[11] **Patent Number: Des. 373,814**  
[45] **Date of Patent: \*\*Sep. 17, 1996**

[54] **HOSE NOZZLE**

D. 357,973 5/1995 McCain ..... D23/223  
4,666,085 5/1987 Liao ..... 239/394

[75] Inventor: **Chin-Yuan Wang**, Changhua Hsien,  
Taiwan

*Primary Examiner*—Susan J. Lucas  
*Assistant Examiner*—Robin V. Taylor

[73] Assignee: **Yuan Mei Corp.**, Changhua Hsien,  
Taiwan

*Attorney, Agent, or Firm*—Beveridge, Degrandi, Weilacher  
& Young, LLP

[\*\*] Term: **14 Years**

[57] **CLAIM**

[21] Appl. No.: **40,998**

The ornamental design for a hose nozzle, as shown and  
described.

[22] Filed: **Jun. 30, 1995**

**DESCRIPTION**

[52] U.S. Cl. .... **D23/226; D23/223**

[58] Field of Search ..... D23/213, 223-230;  
239/394, 415, 460, 462, 525-528

FIG. 1 is a perspective view of hose nozzle showing my new  
design;

FIG. 2 is a front view thereof;

FIG. 3 is a back view thereof;

FIG. 4 is a left side view thereof;

FIG. 5 is a right side view thereof;

FIG. 6 is a top side view thereof; and,

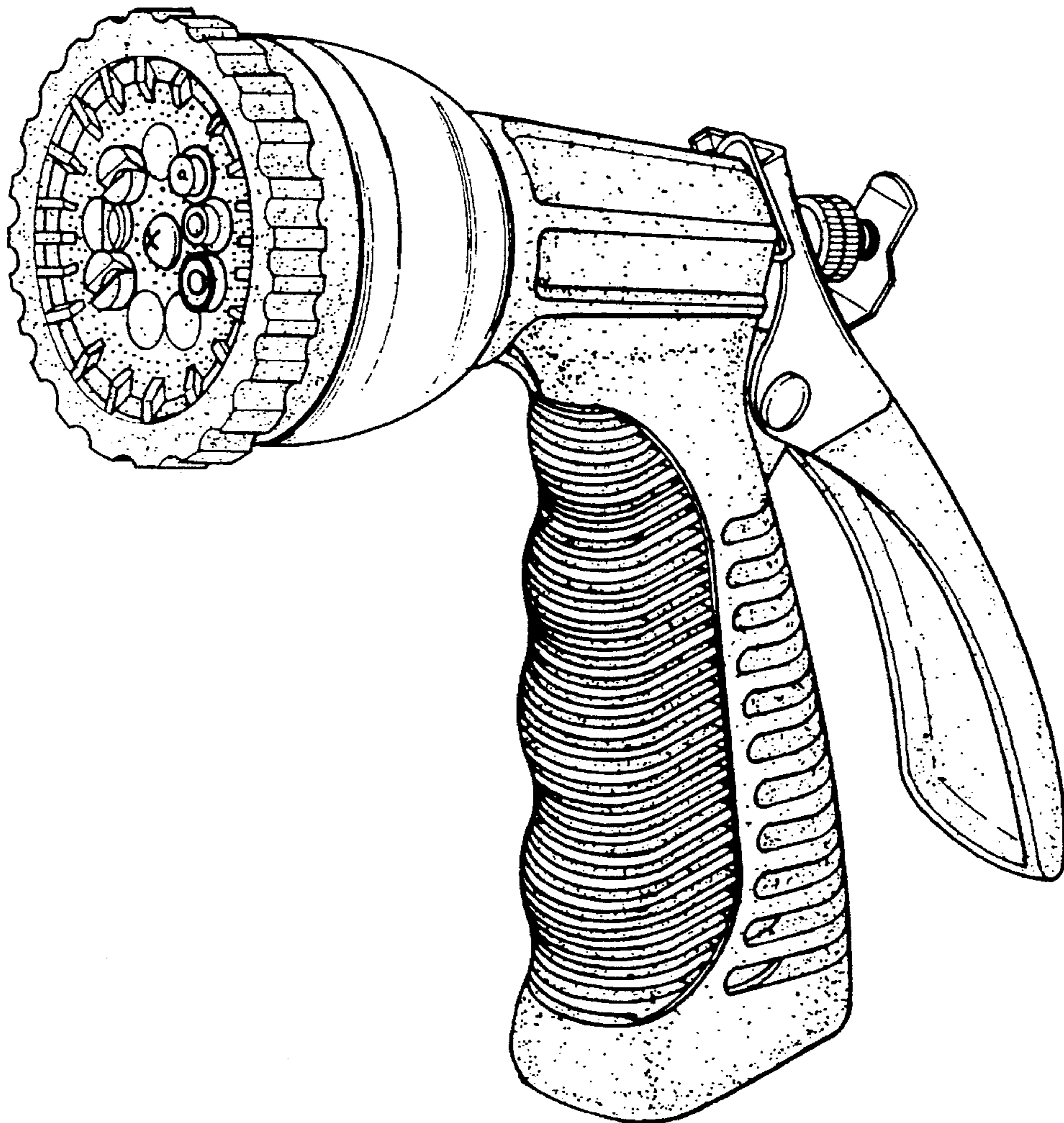
FIG. 7 is a bottom side view thereof.

[56] **References Cited**

**U.S. PATENT DOCUMENTS**

D. 314,609	2/1991	Liao	.....	D23/226
D. 338,706	8/1993	Wang	.....	D23/223
D. 340,762	10/1993	Wang	.....	D23/226
D. 356,144	3/1995	Wang	.....	D23/223

**1 Claim, 5 Drawing Sheets**



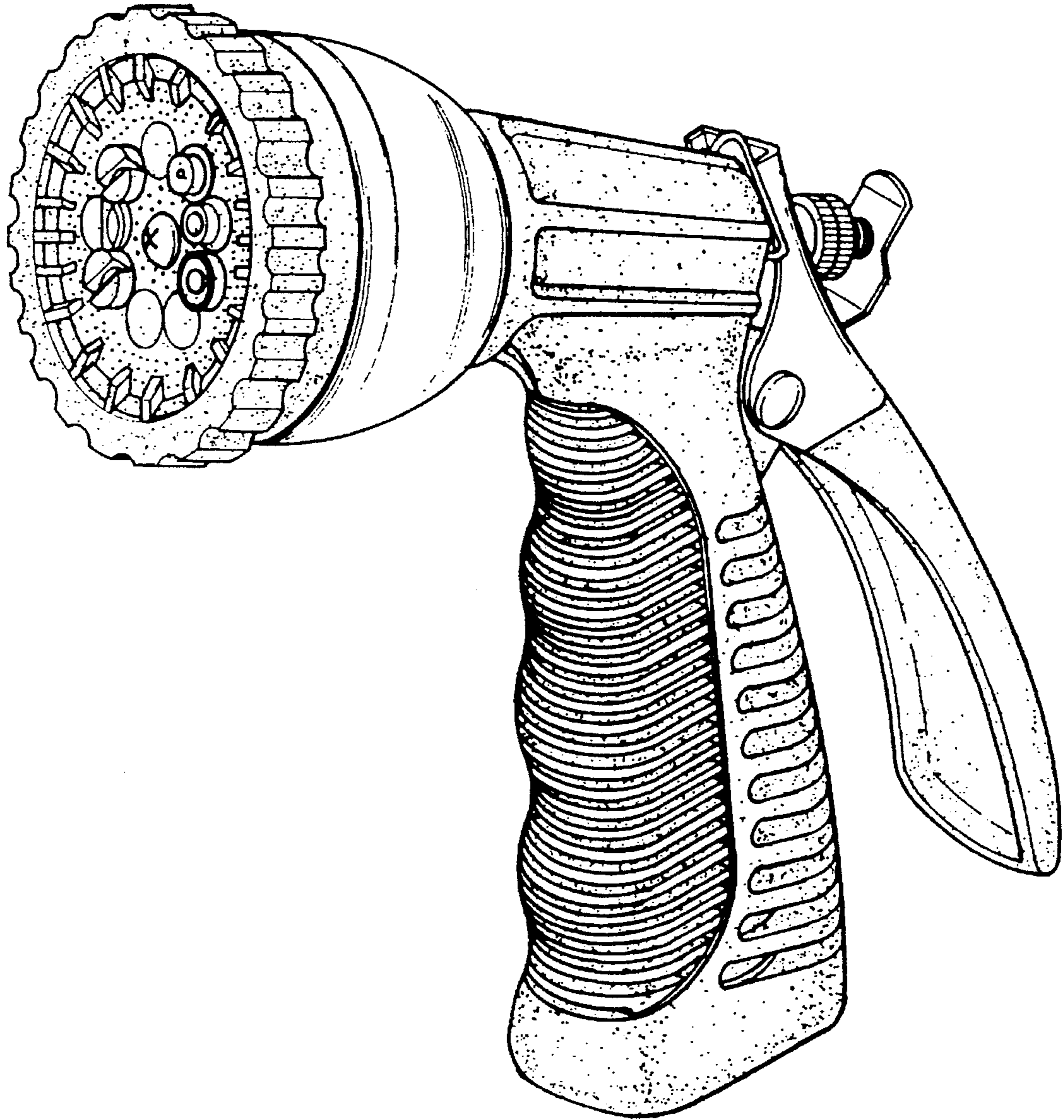


FIG. 1

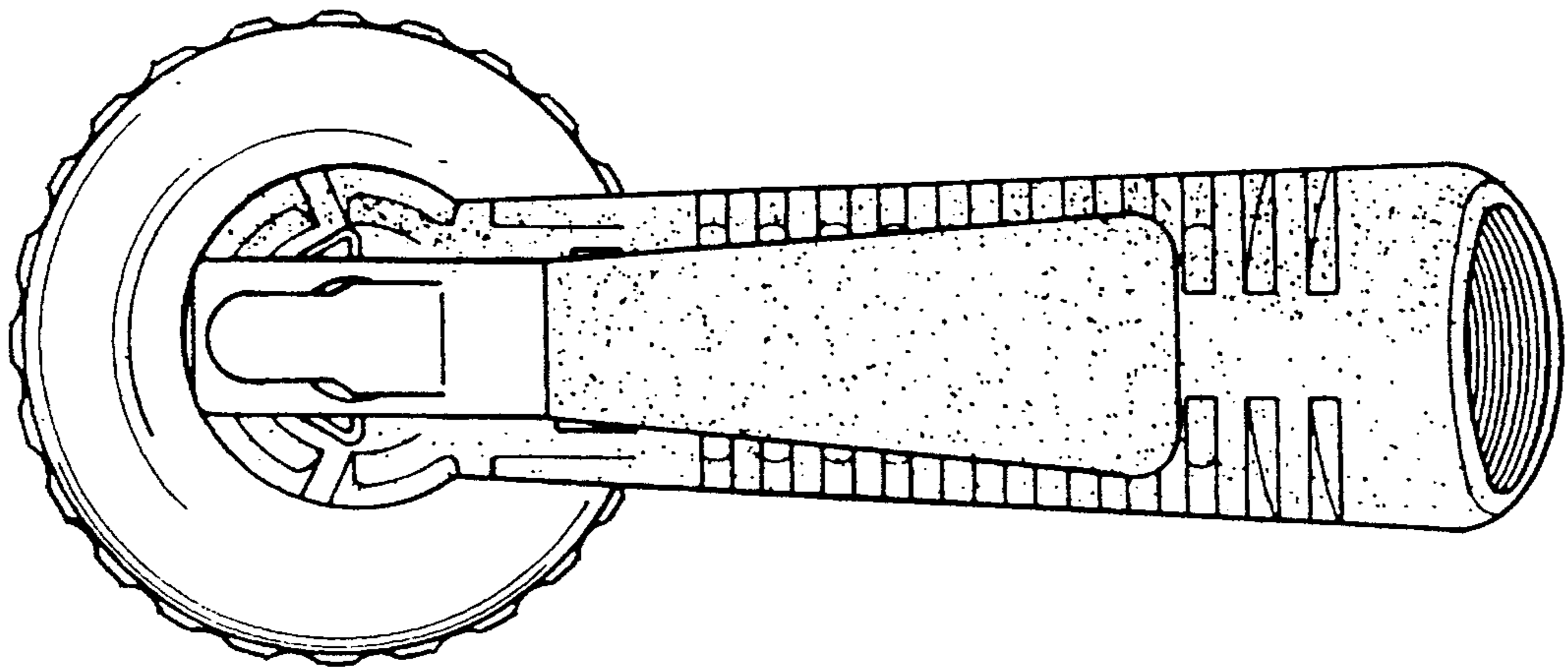


FIG. 3

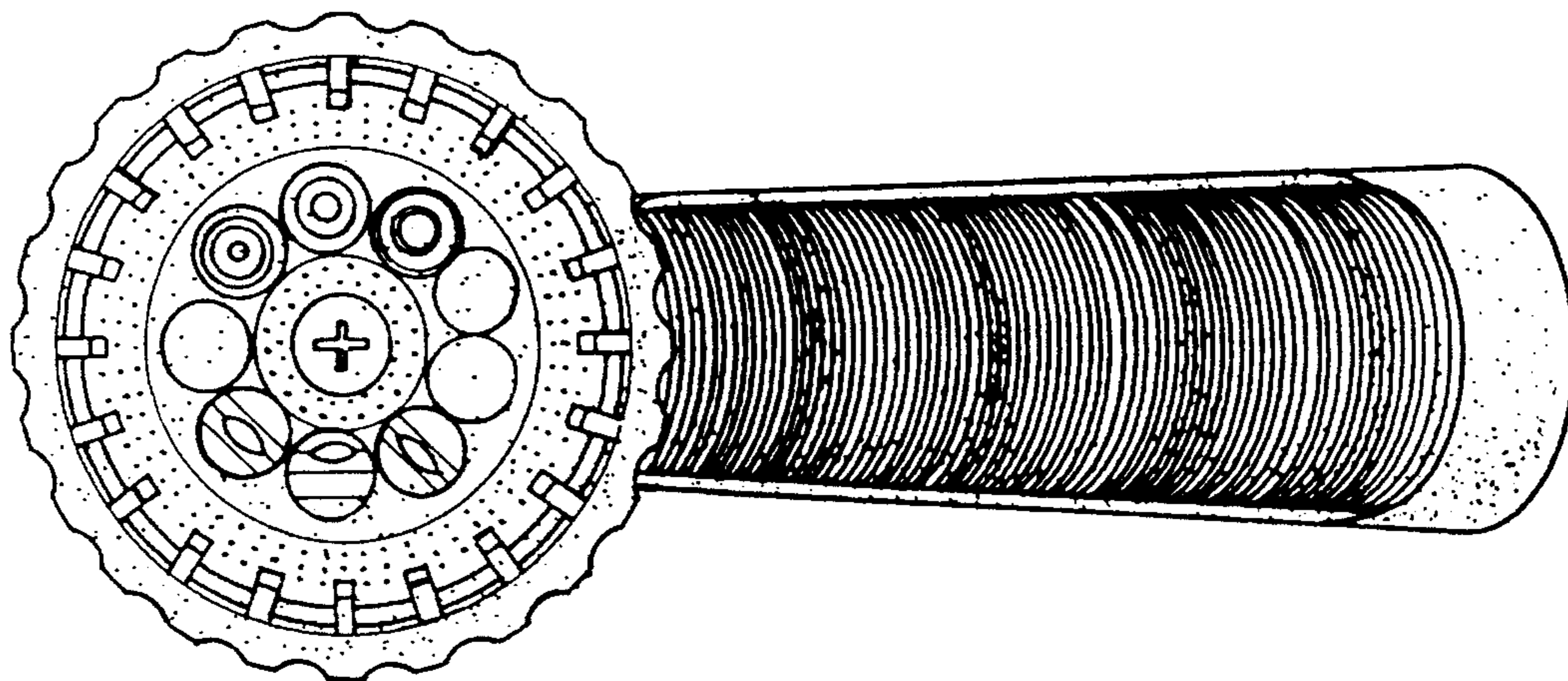


FIG. 2

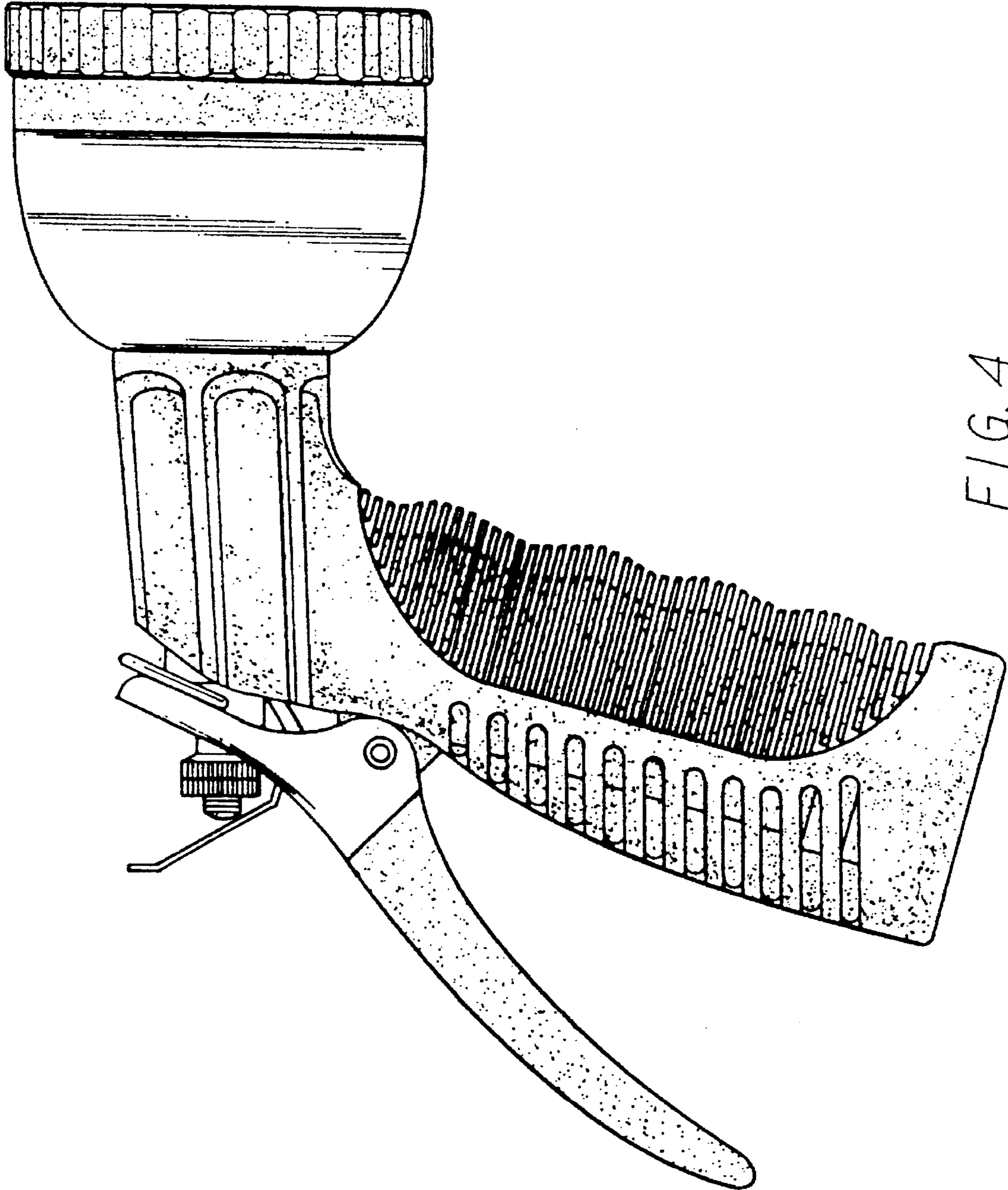


FIG. 4

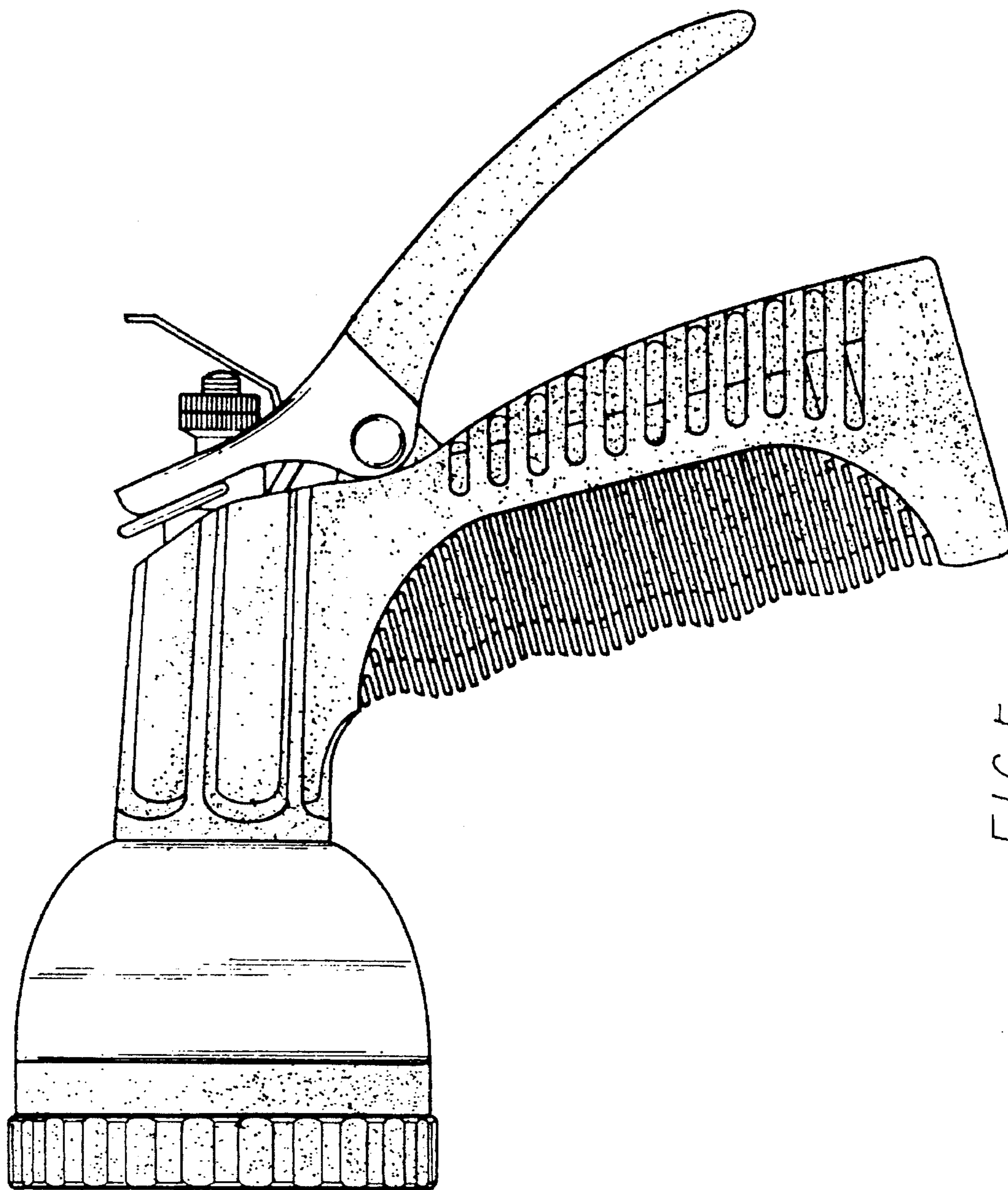


FIG. 5

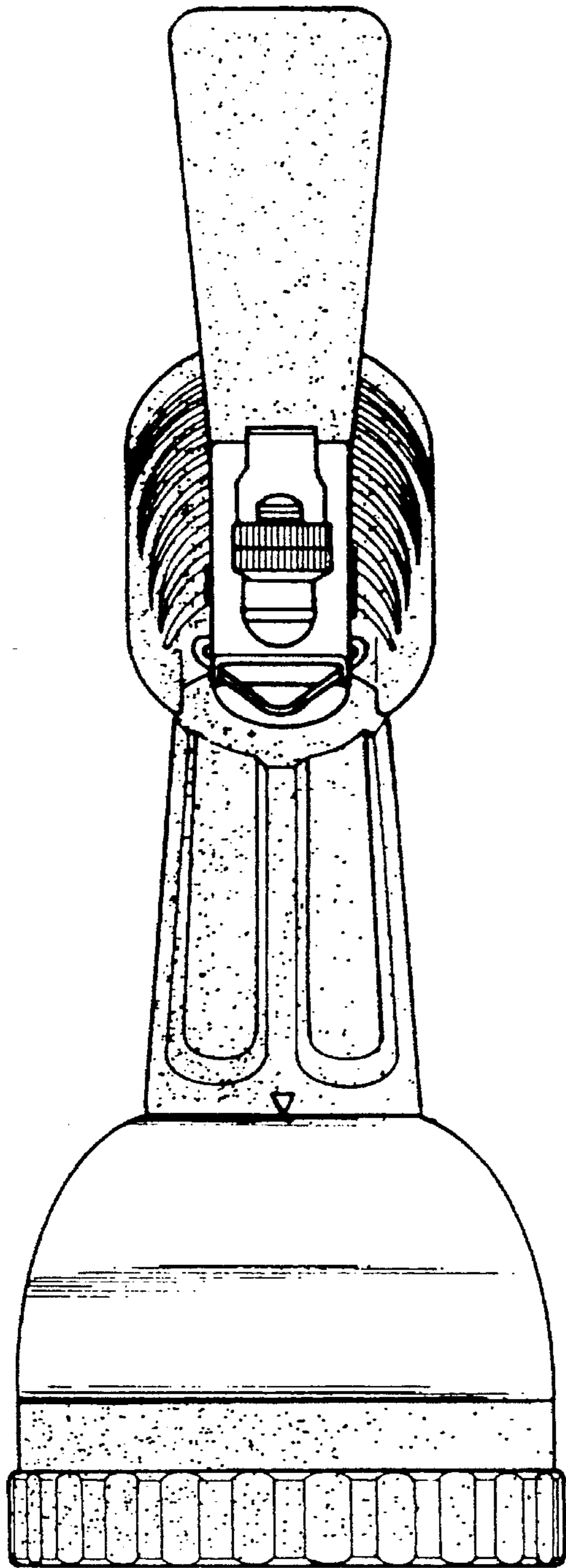


FIG. 6

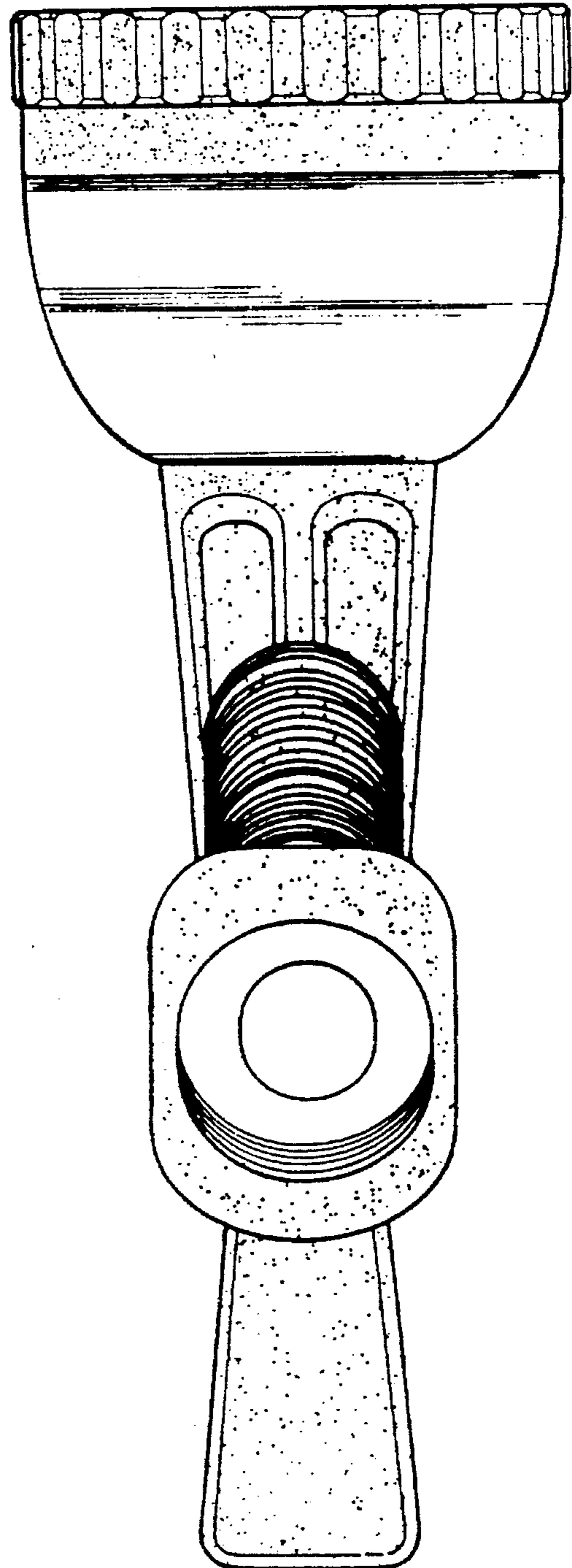


FIG. 7