



US00D373811S

United States Patent [19]
Haddad

[11] **Patent Number: Des. 373,811**
[45] **Date of Patent: **Sep. 17, 1996**

[54] **SPINNING FISH LURE**

[76] Inventor: **Daniel G. Haddad**, P.O. Box 1912,
Highlands, N.C. 28741

[**] Term: **14 Years**

[21] Appl. No.: **44,955**

[22] Filed: **Oct. 4, 1995**

[52] U.S. Cl. **D22/130; D22/129**

[58] **Field of Search** D22/126, 128,
D22/129, 130, 132; D8/347; 43/42.5, 42.13,
42.14, 42.15, 42.16, 42.17, 42.18, 42.19,
42.22, 1

[56] **References Cited**

U.S. PATENT DOCUMENTS

D. 132,669	6/1942	Frisbie, Jr.	D8/347
D. 232,806	9/1974	Schlage	D8/347
D. 330,581	10/1992	Powe	D22/126 X
D. 357,852	5/1995	Shen	D8/347
2,959,883	11/1960	Smith et al.	D22/129 X
2,992,029	7/1961	Russell	43/1

Primary Examiner—Doris V. Coles
Attorney, Agent, or Firm—Louis T. Isaf, P.C.

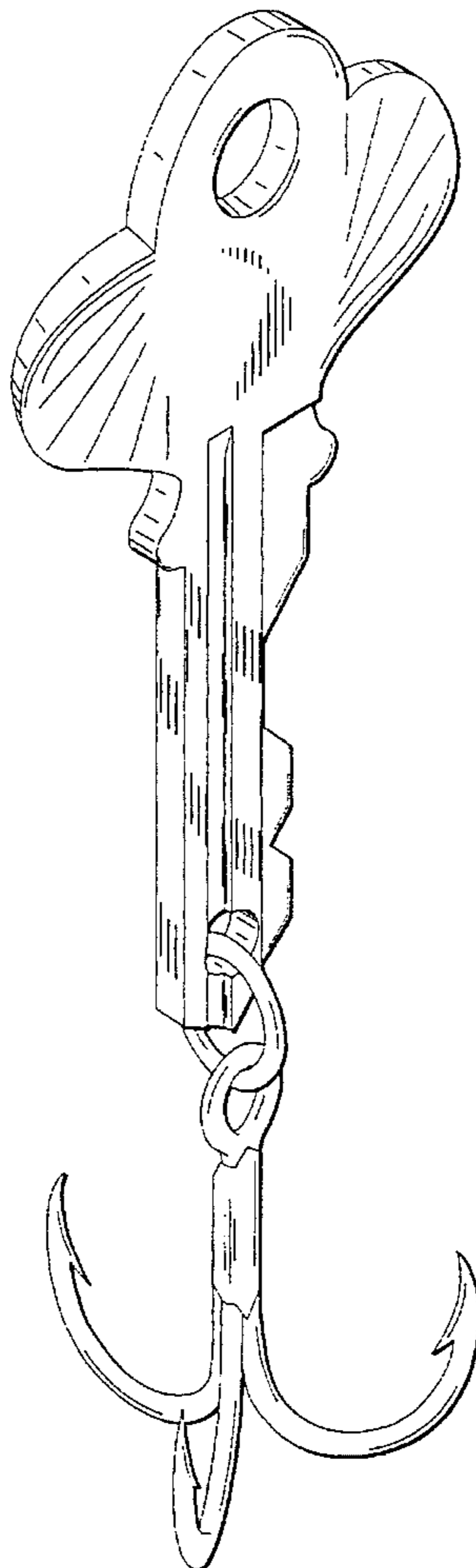
[57] **CLAIM**

The ornamental design for a spinning fish lure, as shown.

DESCRIPTION

FIG. 1 is a perspective view of a spinning fish lure showing my new design, in accordance with a first embodiment of the present invention;
FIG. 2 is a front elevational view of the design of FIG. 1;
FIG. 3 is a left side elevational view thereof;
FIG. 4 is a right side elevational view thereof;
FIG. 5 is a rear elevational view thereof;
FIG. 6 is a top plan view thereof;
FIG. 7 is a bottom plan view thereof;
FIG. 8 is a perspective view of a spinning fish lure showing my new design, in accordance with a second embodiment of the present invention;
FIG. 9 is a front elevational view of the design of FIG. 8;
FIG. 10 is a left side elevational view thereof;
FIG. 11 is a right side elevational view thereof;
FIG. 12 is a rear elevational view thereof;
FIG. 13 is a top plan view thereof; and,
FIG. 14 is a bottom plan view thereof.

1 Claim, 4 Drawing Sheets



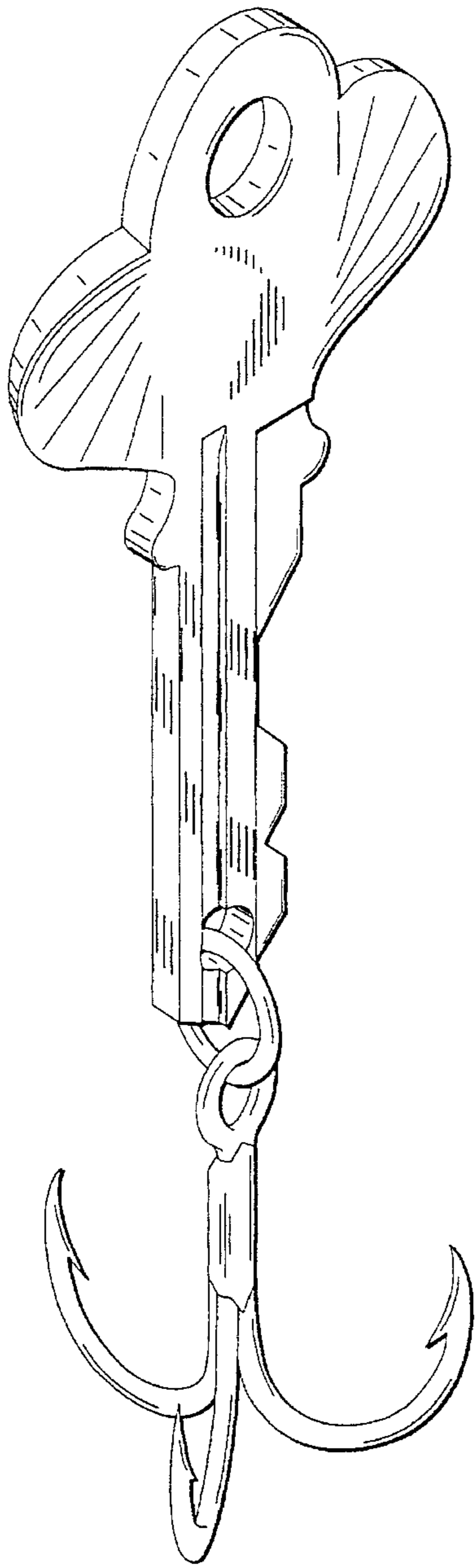


FIG. 1

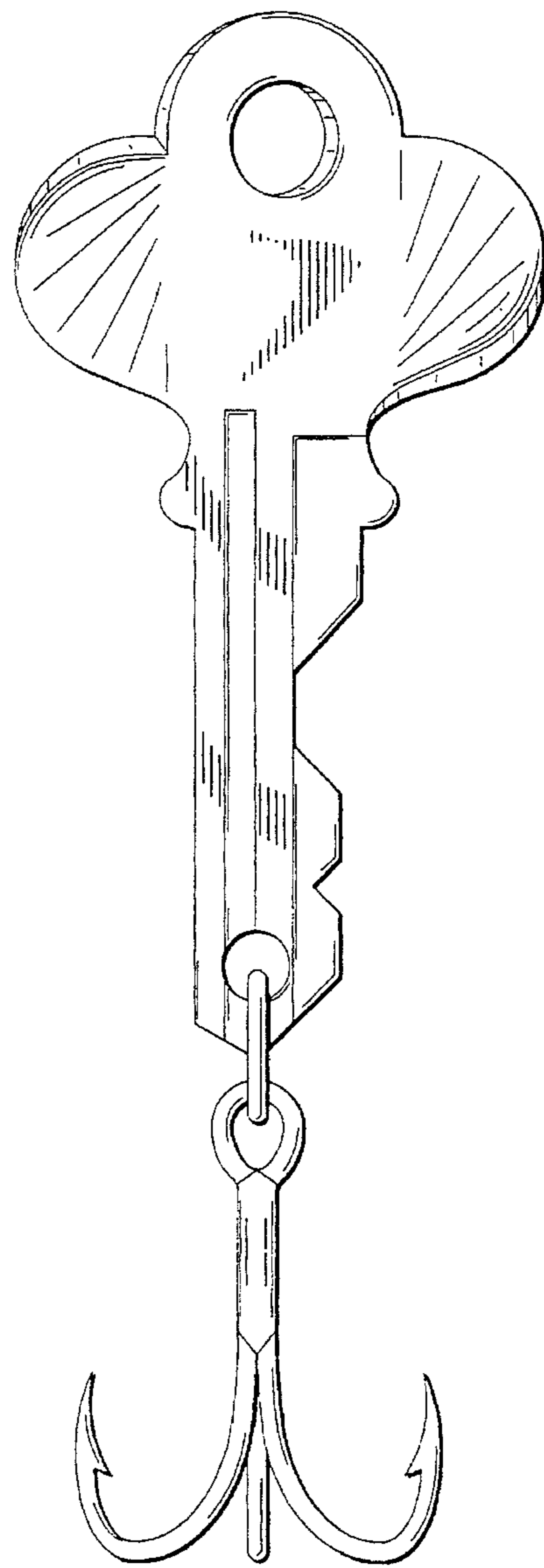


FIG. 2

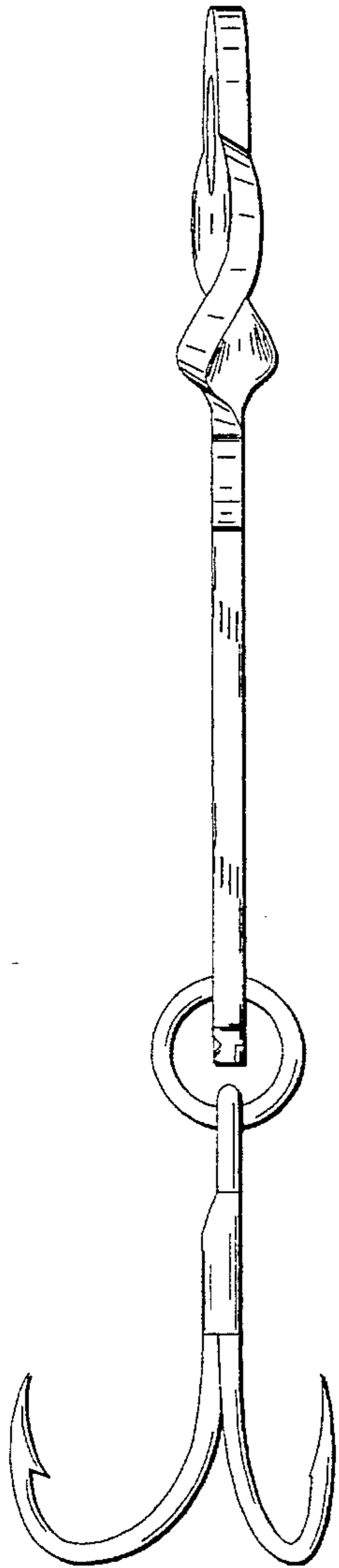


FIG. 3

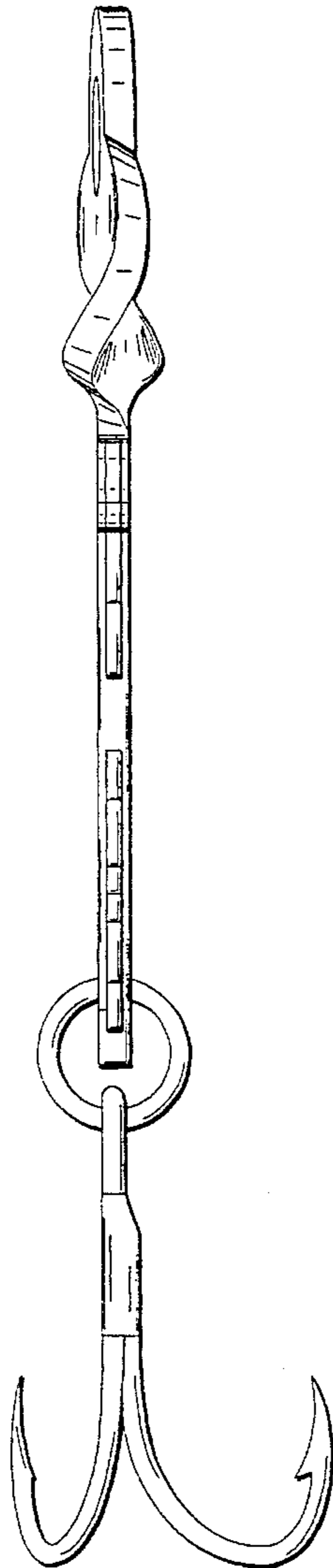


FIG. 4

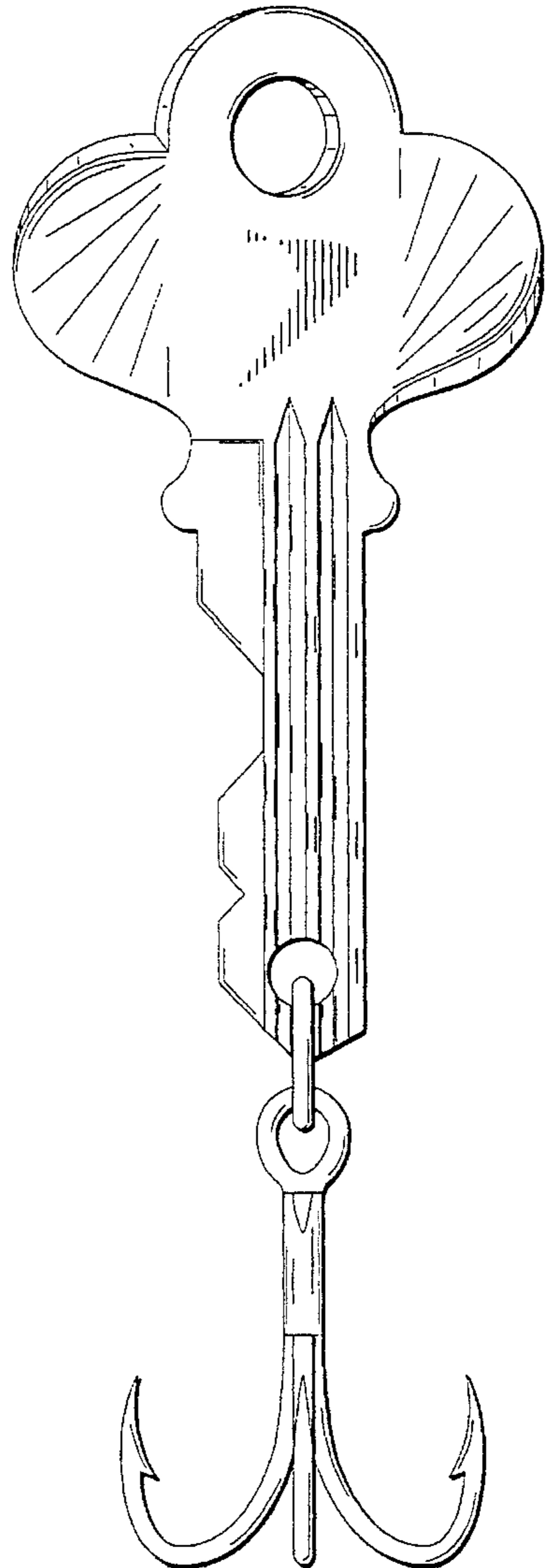


FIG. 5

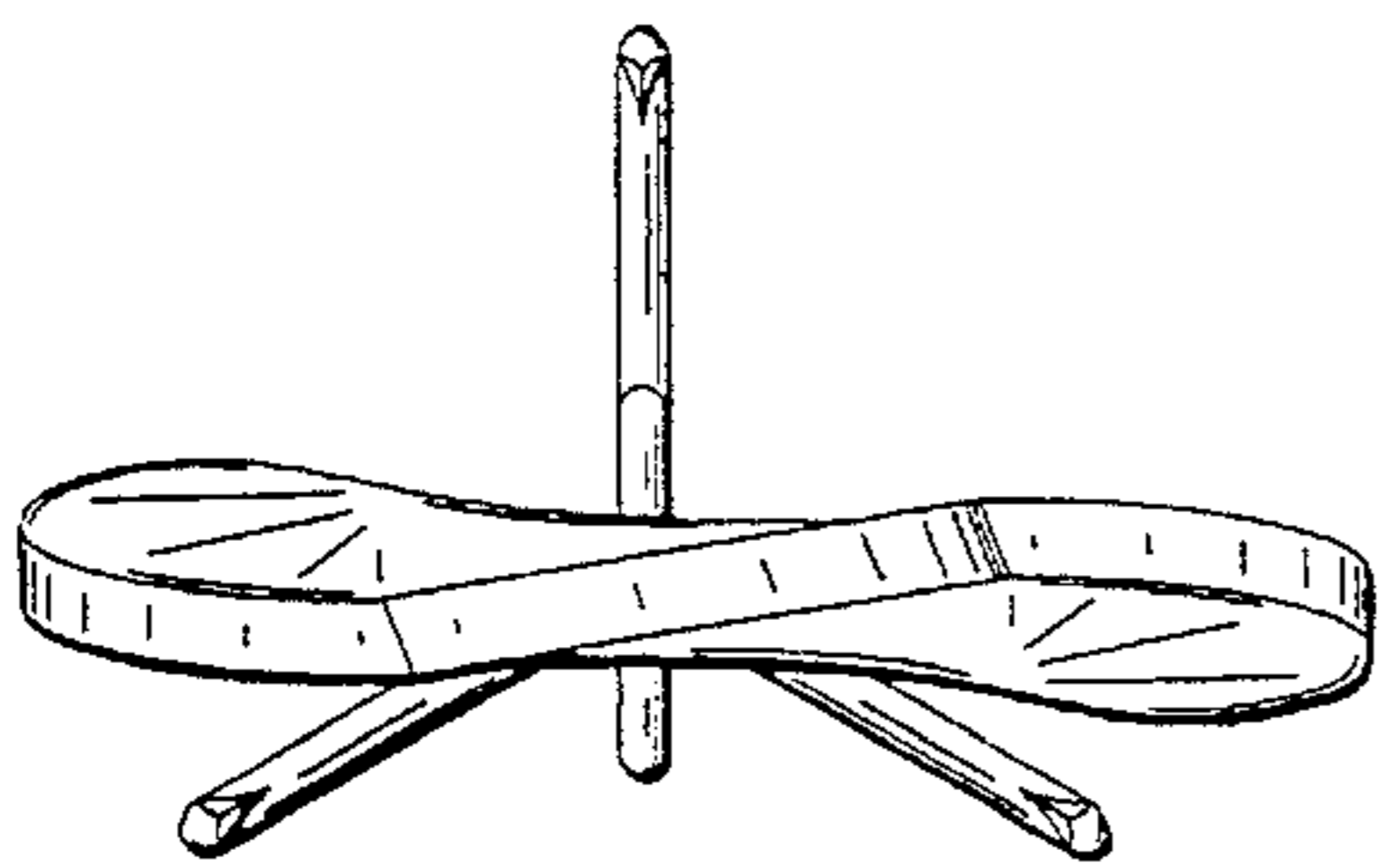


FIG. 6

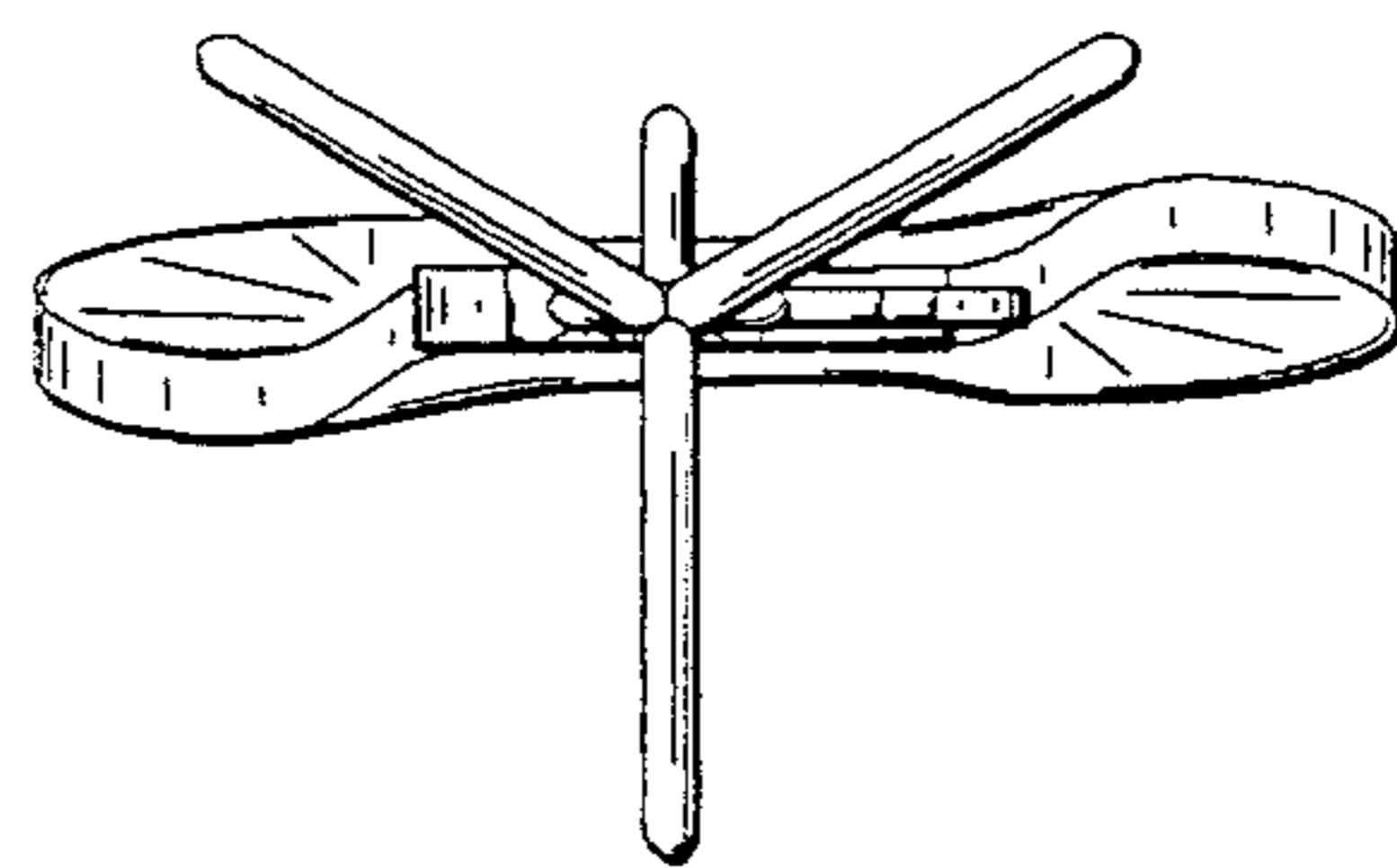


FIG. 7

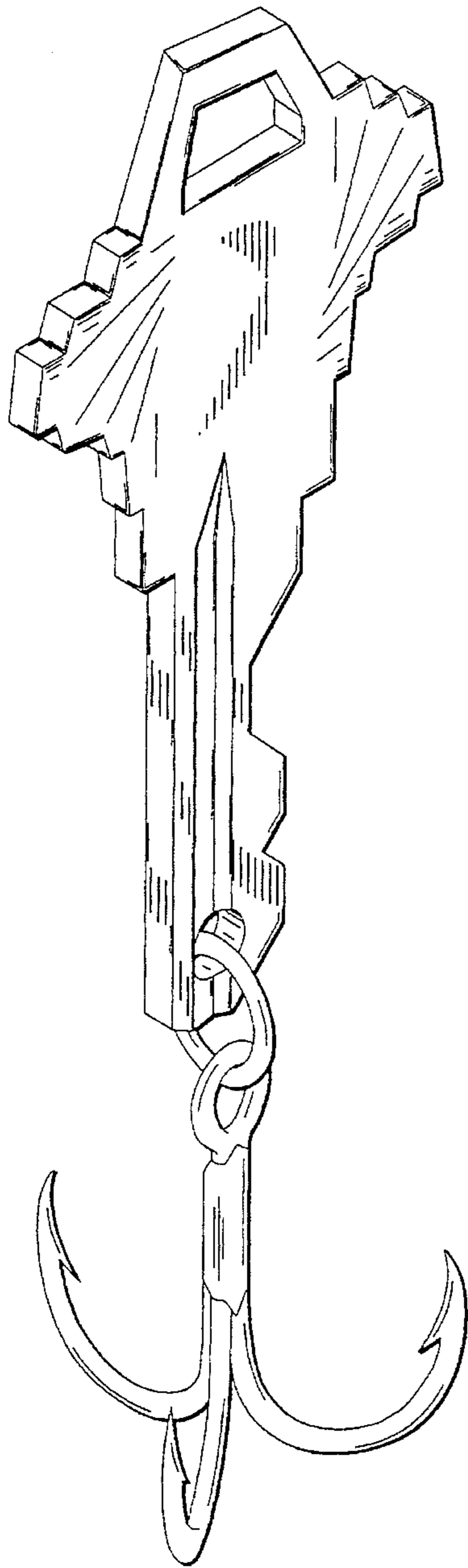


FIG. 8

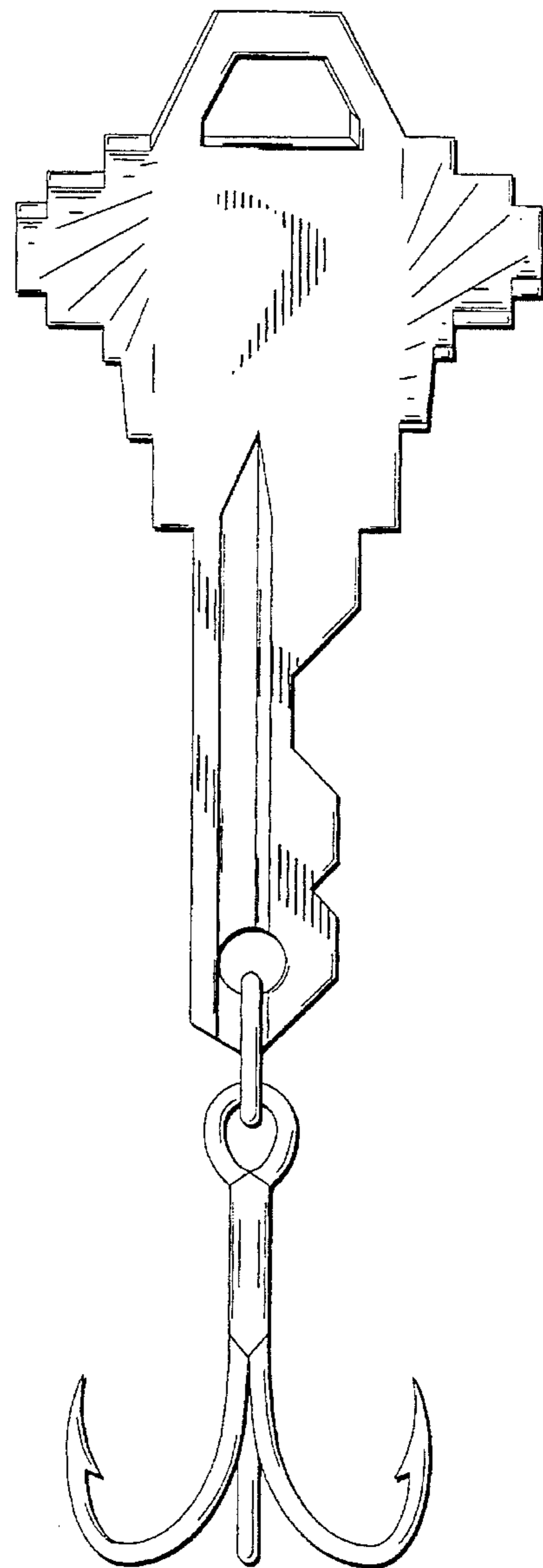


FIG. 9

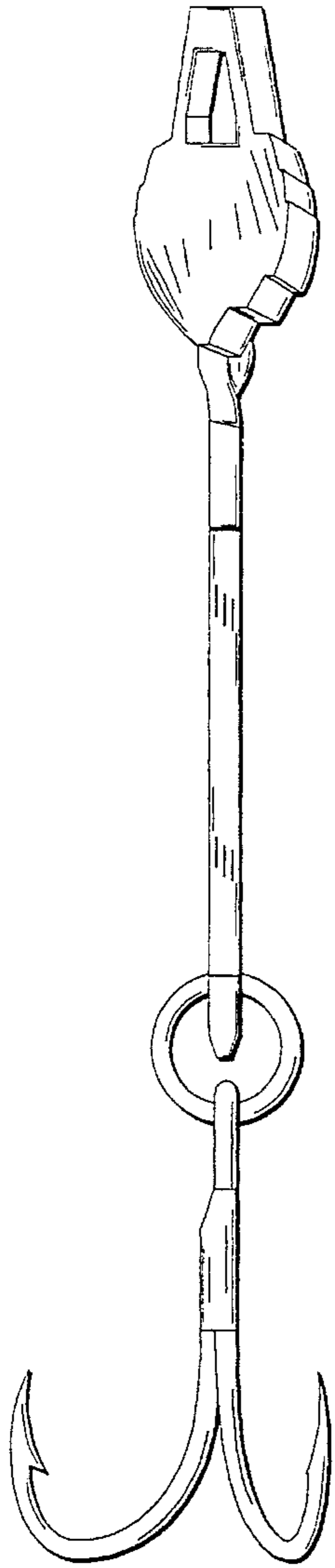


FIG. 10

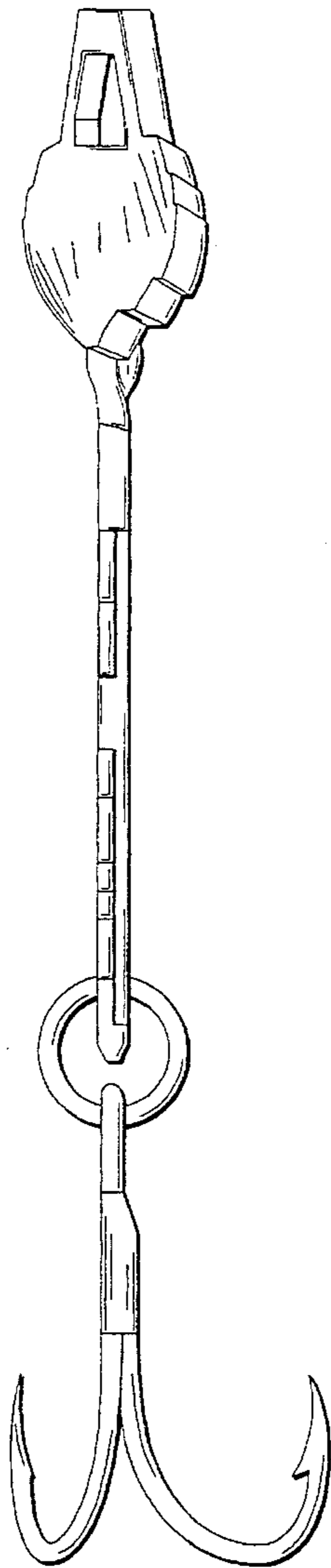


FIG. 11

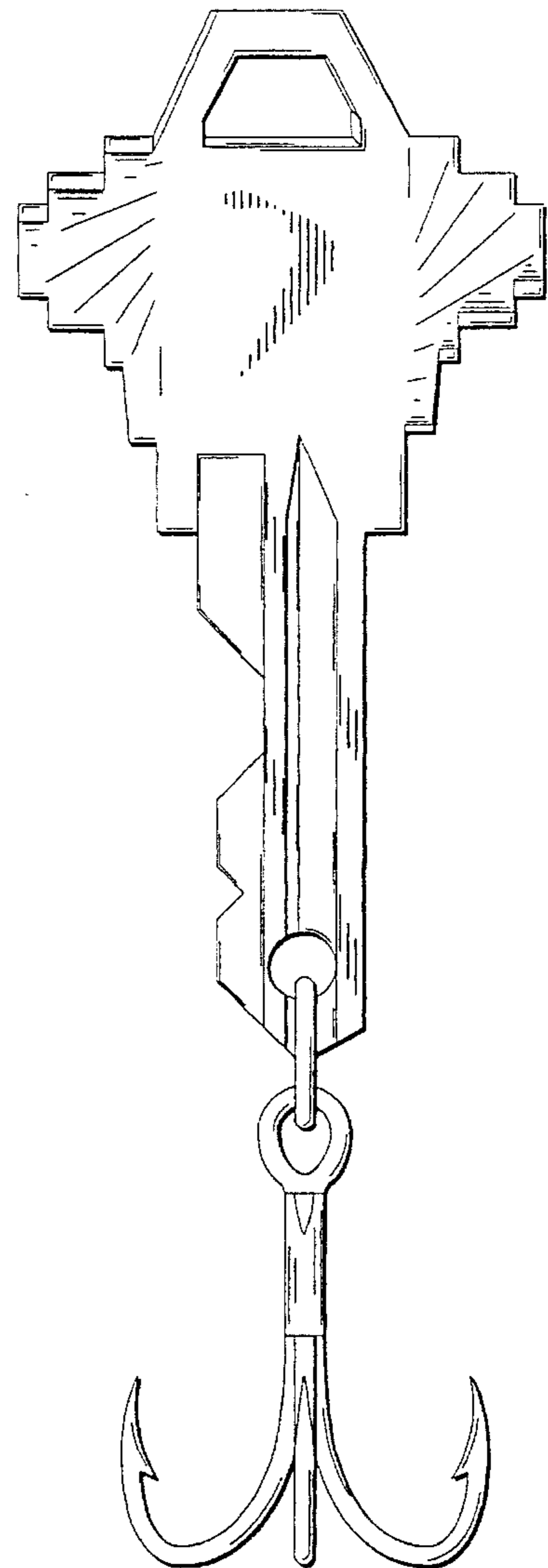


FIG. 12

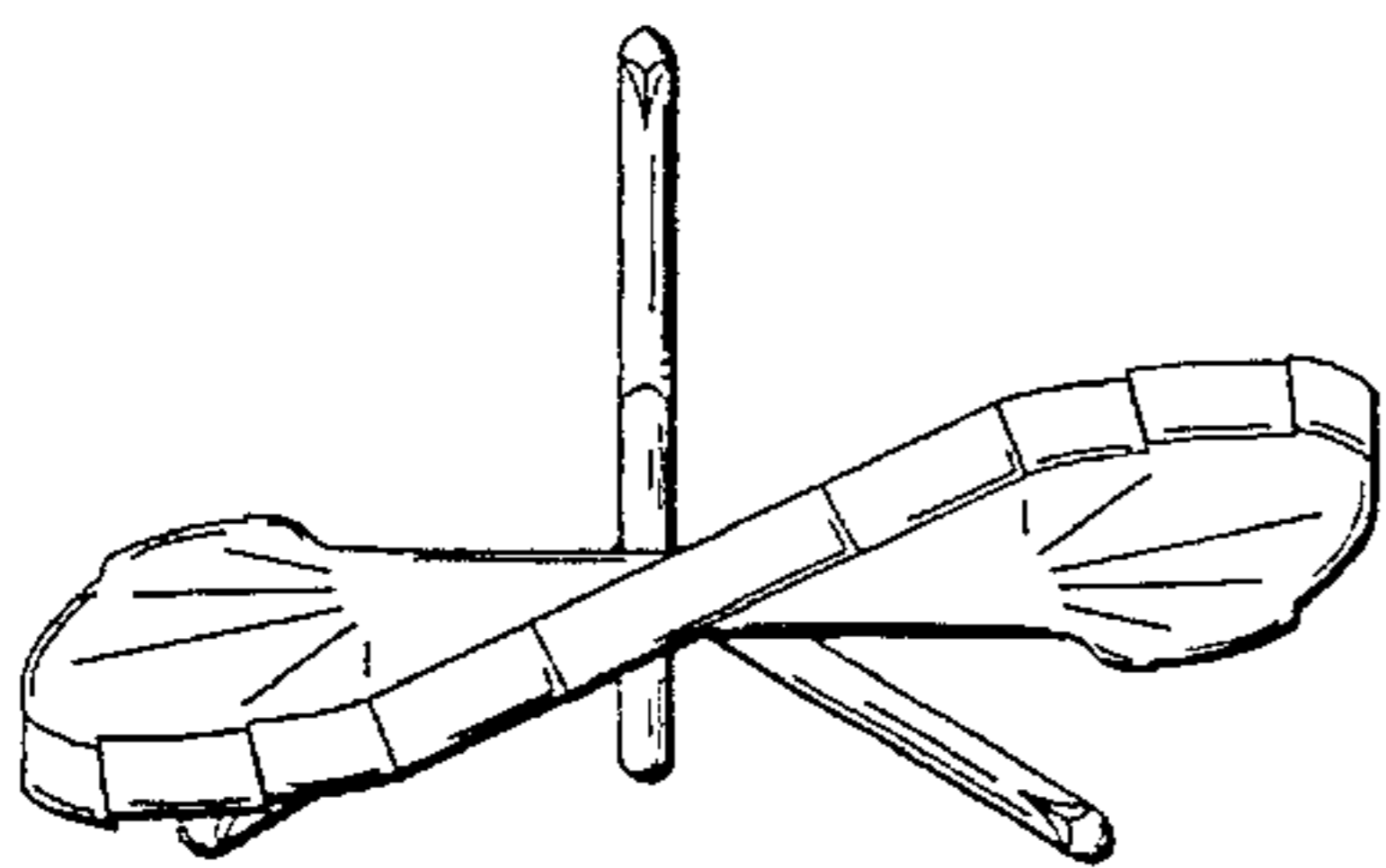


FIG. 13

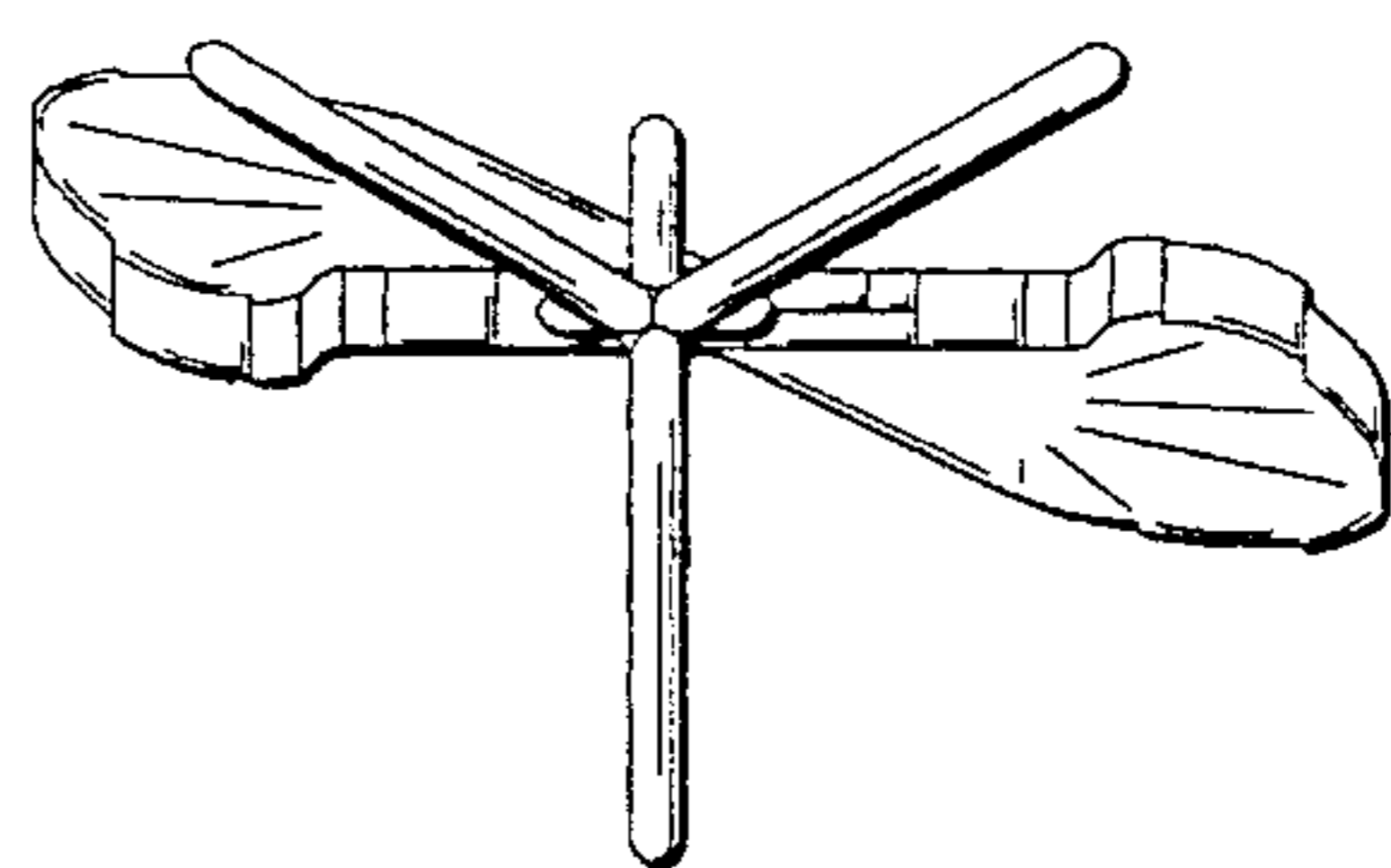


FIG. 14