



US00D373806S

United States Patent [19]

Bunnell

[11] Patent Number: Des. 373,806

[45] Date of Patent: **Sep. 17, 1996

[54] BATTING TEE

[76] Inventor: Ronald E. Bunnell, 5054 Loblolly Bay La., Orlando, Fla. 32829

[**] Term: 14 Years

[21] Appl. No.: 36,824

[22] Filed: Mar. 28, 1995

[52] U.S. Cl. D21/199

[58] Field of Search D21/199; 273/25, 273/26 A, 26 D, 26 E, 26 EA, 26 R, 29 A, 29 R, 413

[56] References Cited

U.S. PATENT DOCUMENTS

D. 321,545	11/1991	Myers	D21/199 X
3,039,770	10/1958	Feretti .		
3,139,282	11/1962	Lande .		
3,489,411	7/1967	Morelli et al. .		
4,227,691	10/1980	Lefebvre et al. .		
4,445,685	5/1984	Cardieri .		
4,664,374	5/1987	Groves .		
4,681,318	7/1987	Lay	273/26 R
4,709,924	12/1987	Wilson et al. .		
4,938,478	7/1990	Lay	273/26 R
4,962,924	10/1990	James .		
5,004,234	4/1991	Hollis .		

Primary Examiner—Terry A. Wallace
Assistant Examiner—Cheri Cohen

Attorney, Agent, or Firm—Allen, Dyer, Doppelt, Franjola & Milbrath, P.A.

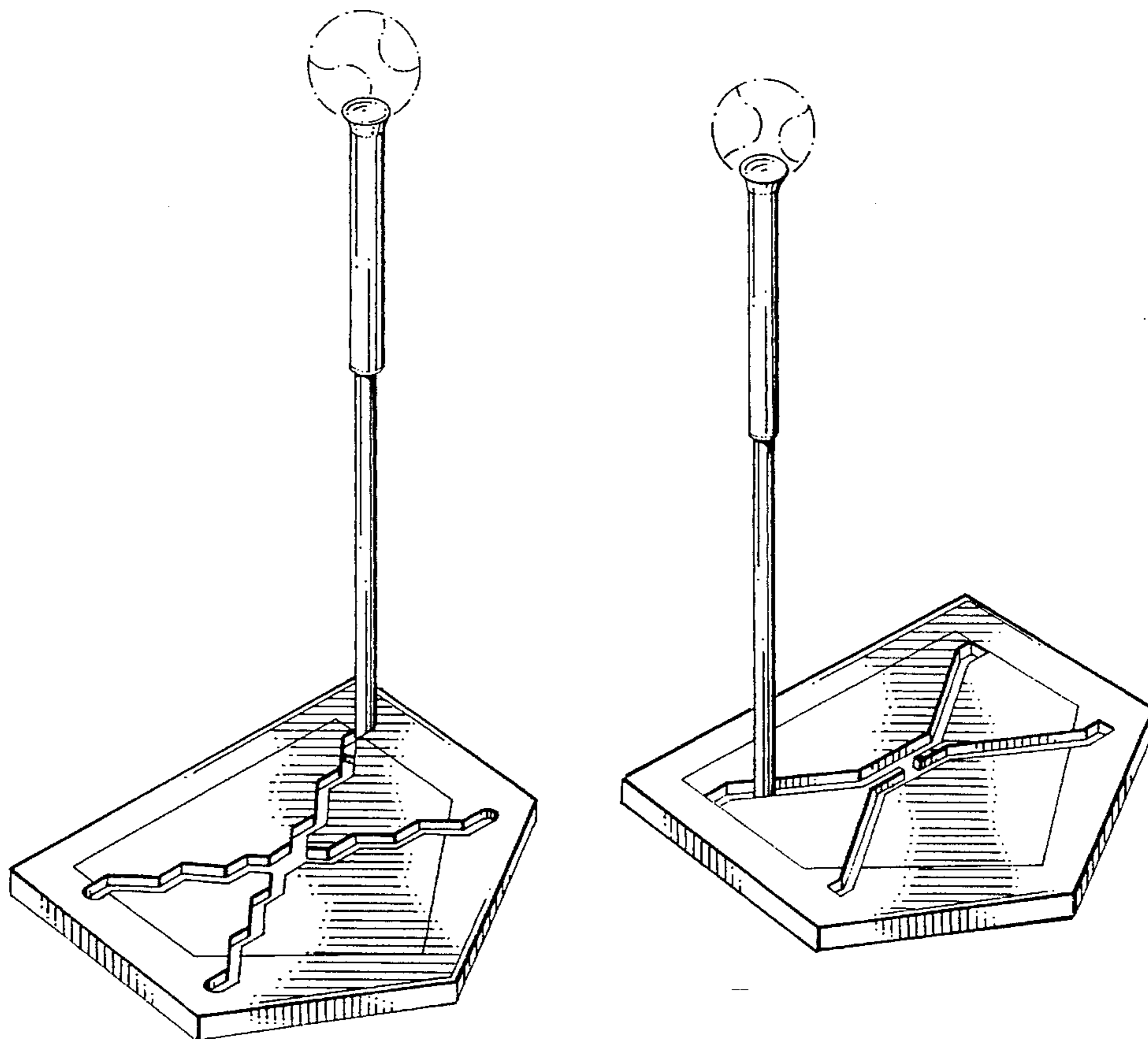
[57] CLAIM

The ornamental design for a batting tee, as shown and described.

DESCRIPTION

FIG. 1 is a top, right rear perspective view of a batting tee showing my new design;
 FIG. 2 is an enlarged top plan view thereof;
 FIG. 3 is an enlarged bottom plan view thereof;
 FIG. 4 is a left side elevational view thereof, the right side view being a mirror image;
 FIG. 5 is a partial front elevational view thereof;
 FIG. 6 is a partial rear elevational view thereof;
 FIG. 7 is a top, right rear perspective view of an alternate embodiment of the batting tee of FIG. 1, also illustrating a vertical member of the batting tee in a second position;
 FIG. 8 is an enlarged top plan view of the embodiment of FIG. 7;
 FIG. 9 is an enlarged bottom plan view of the embodiment of FIG. 7; and,
 FIG. 10 is a right side elevational view of the embodiment of FIG. 7, the left side view being a mirror image.
 The broken line showing of the baseball in FIGS. 1 and 7 is for illustrative purposes only and forms no part of the claimed design.

1 Claim, 2 Drawing Sheets



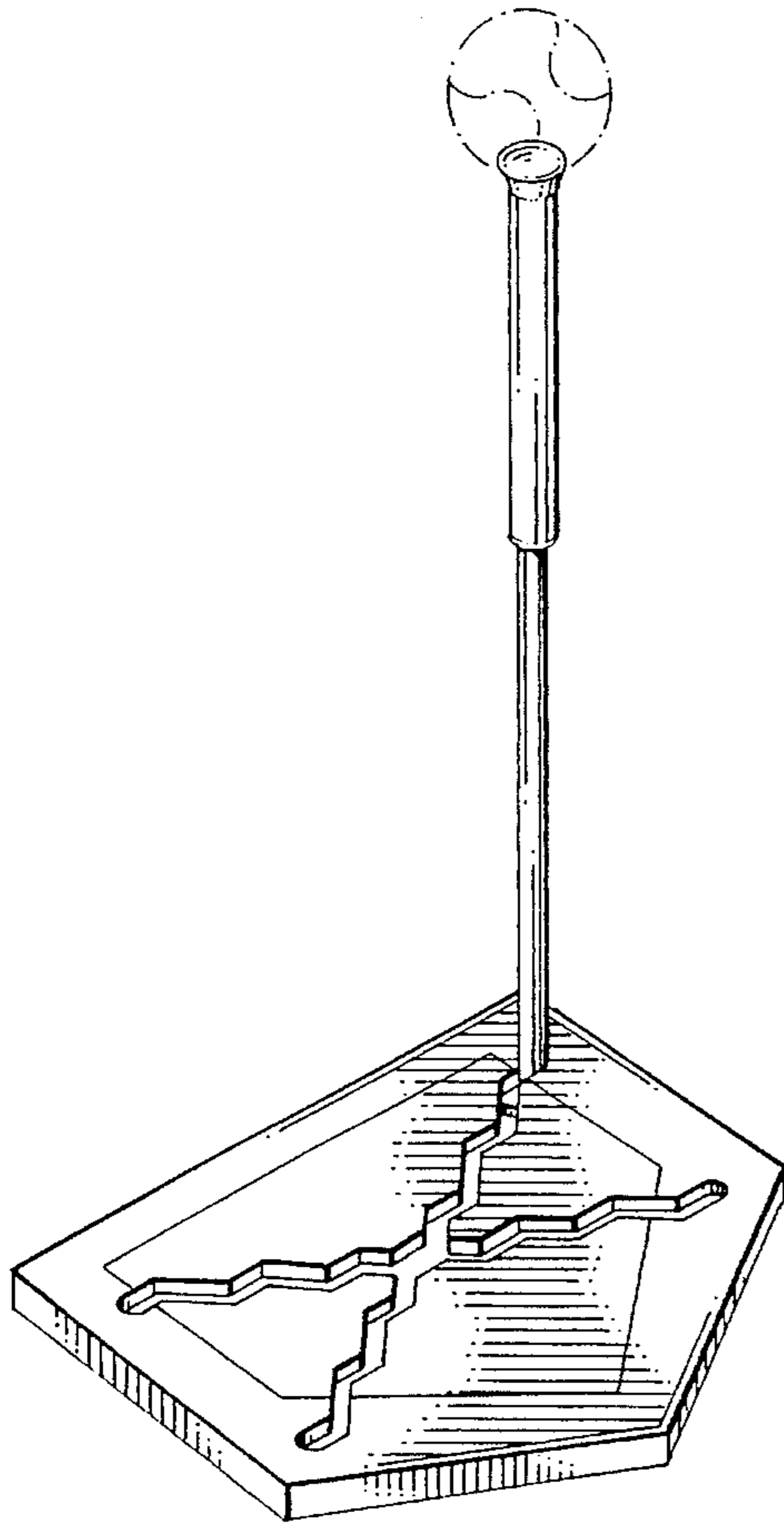


FIG. 1

FIG. 4

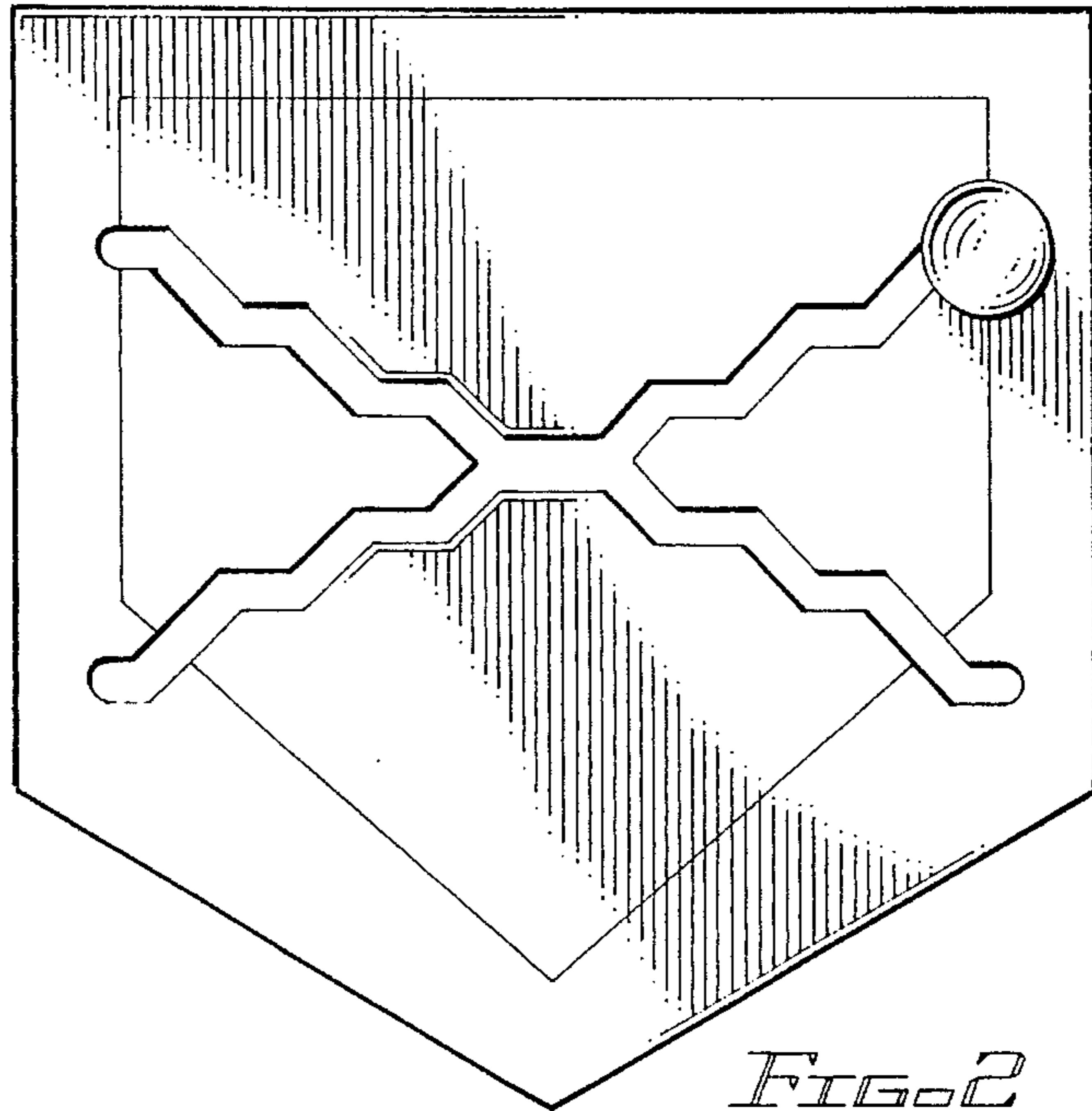


FIG. 2

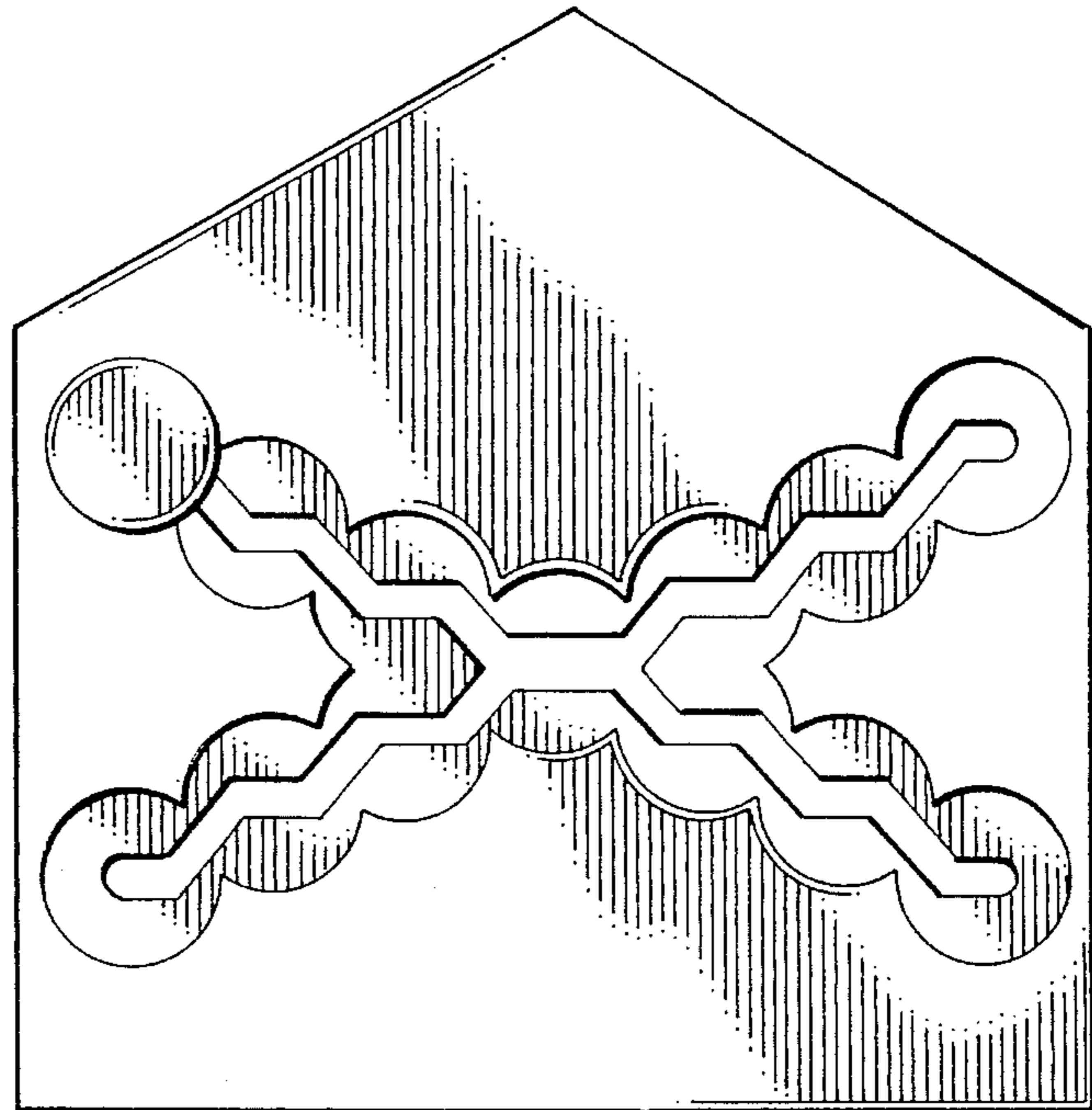


FIG. 3

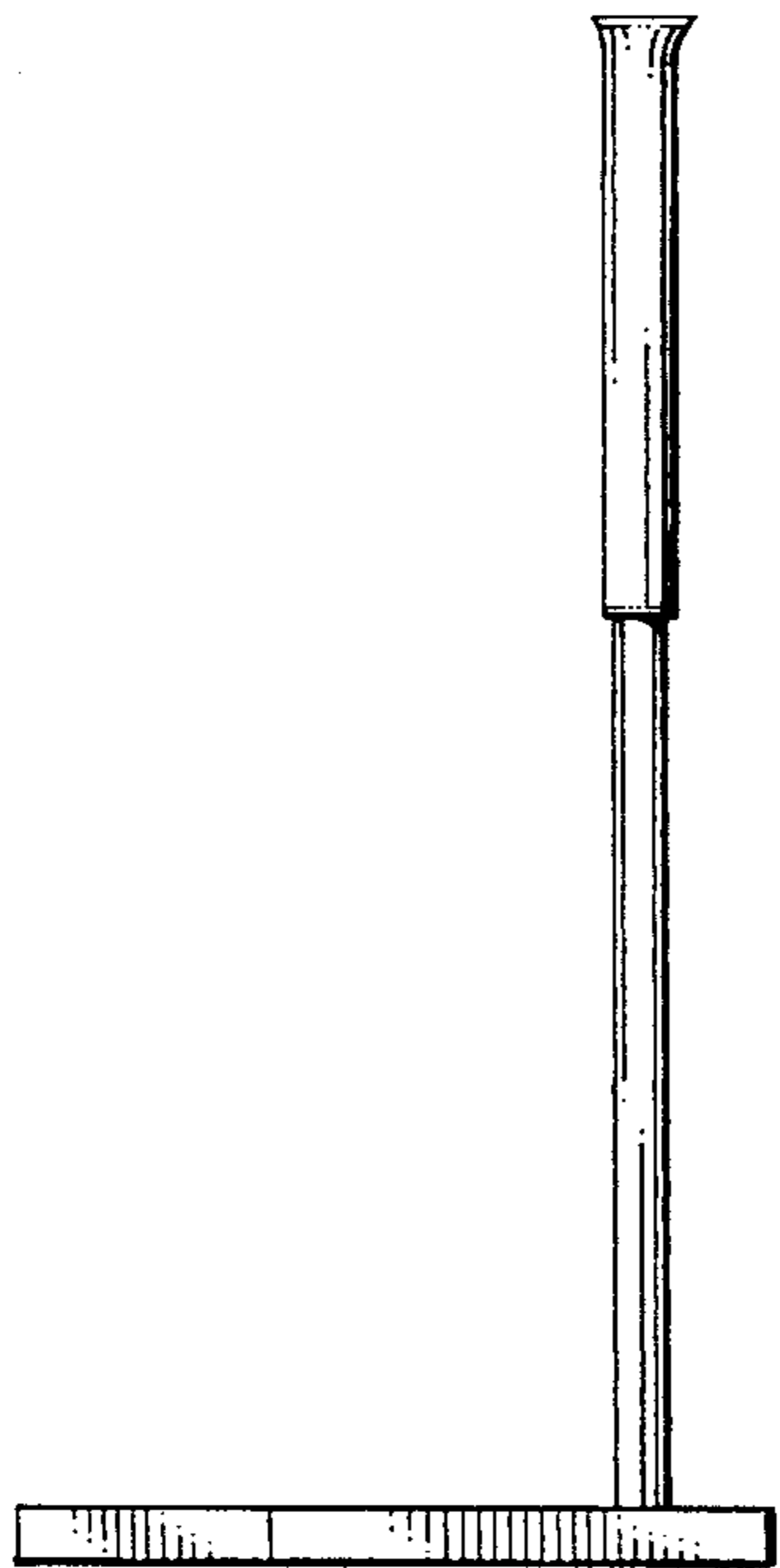


FIG. 5

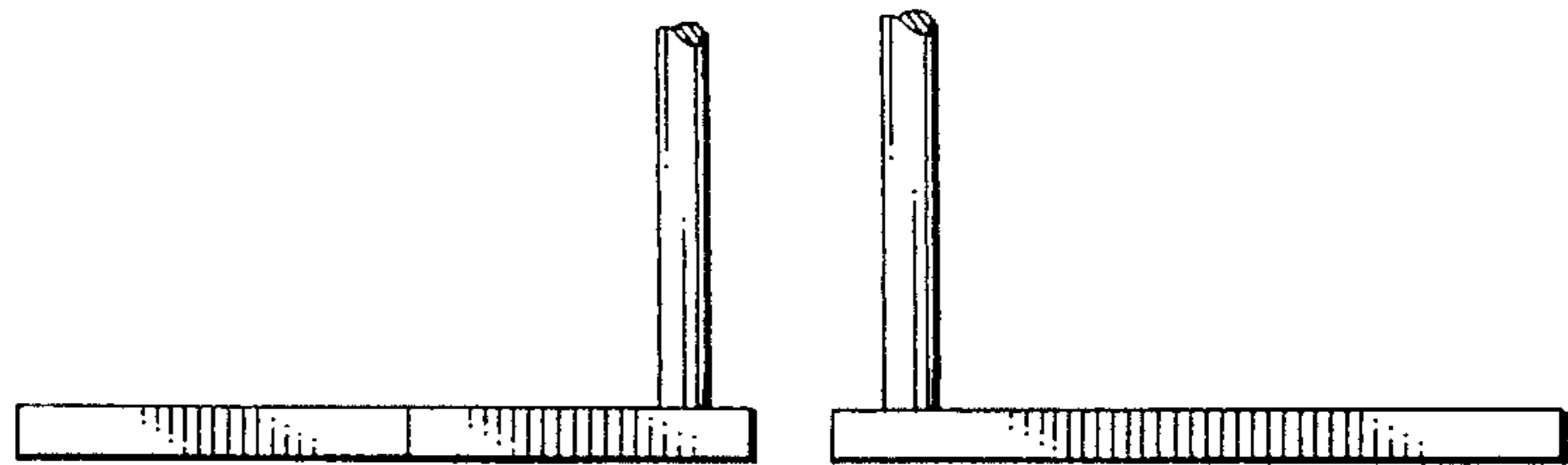


FIG. 6

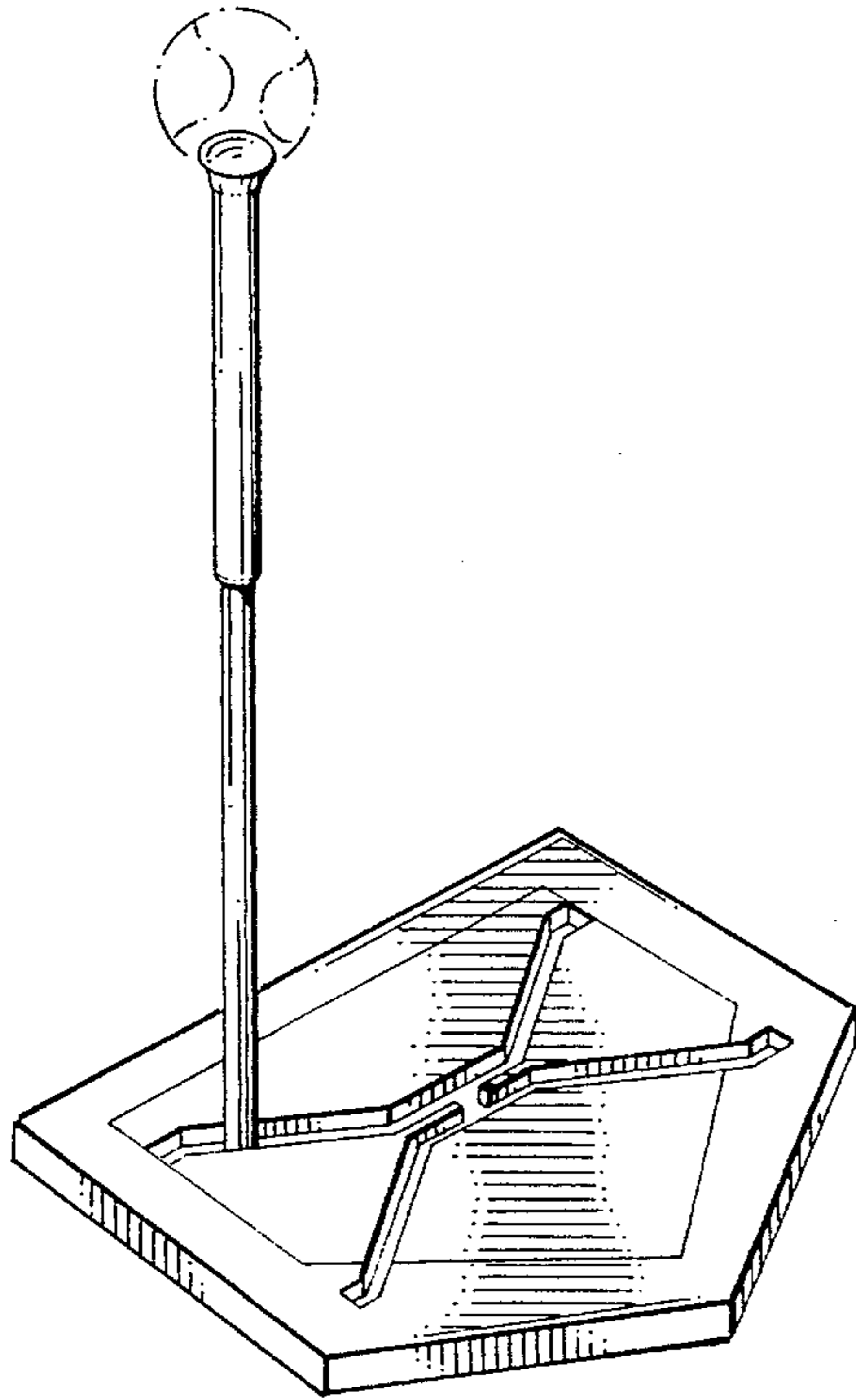


FIG. 7

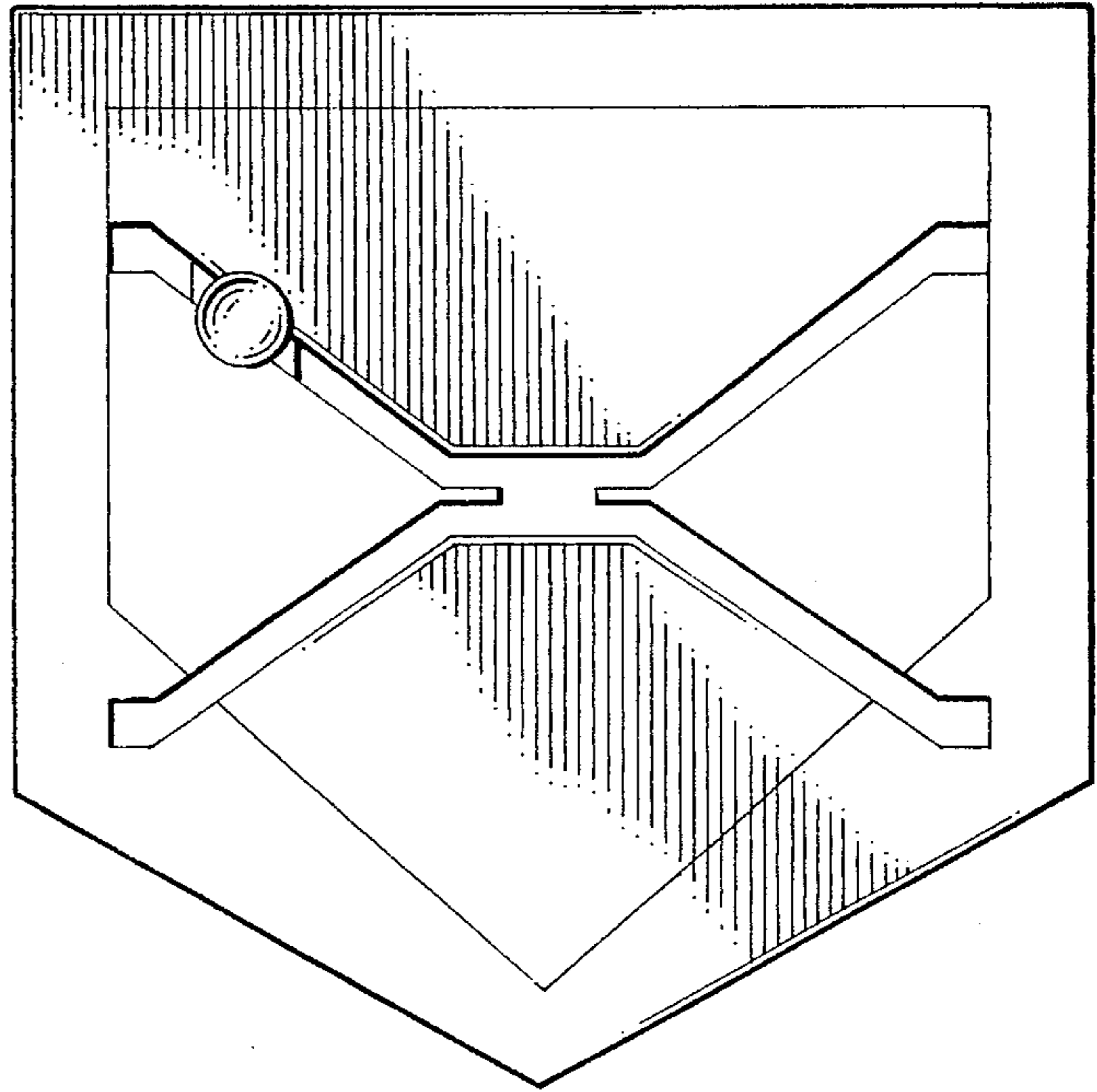


FIG. 8

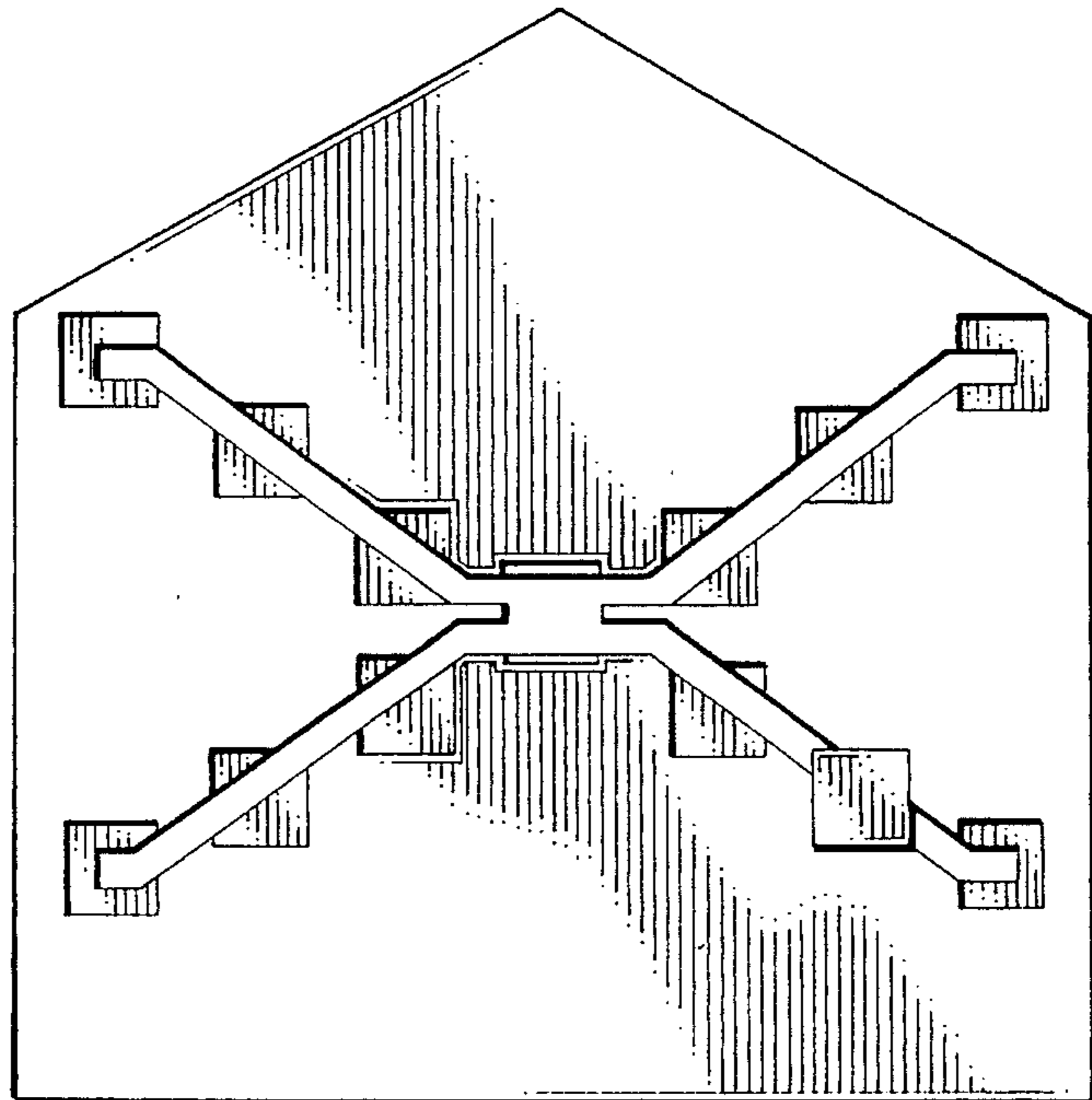


FIG. 9

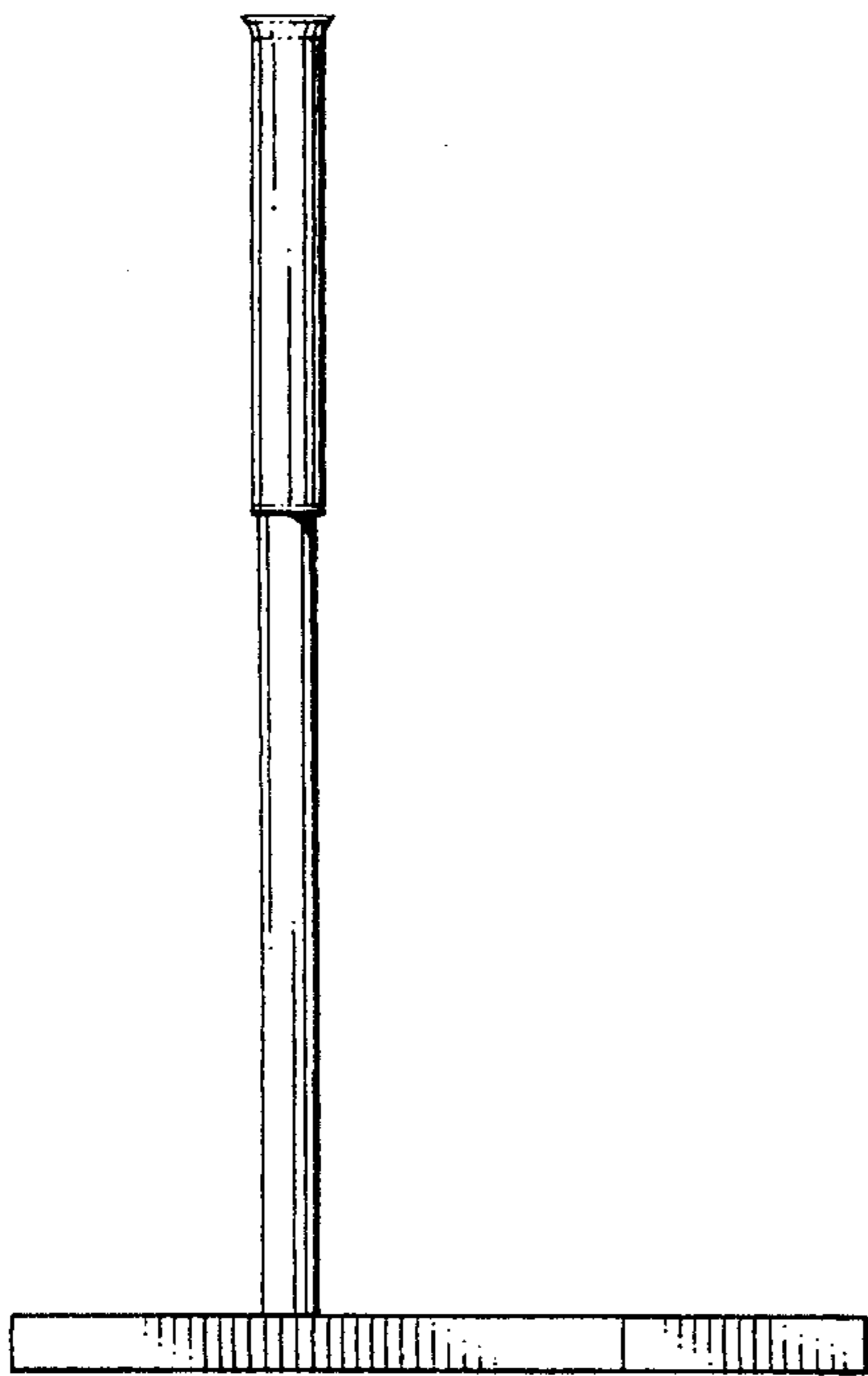


FIG. 10