



US00D373804S

United States Patent [19] Hurley

[11] Patent Number: **Des. 373,804**
[45] Date of Patent: ****Sep. 17, 1996**

[54] **ARM WRESTLING MACHINE**

[76] Inventor: **Straughter H. Hurley**, 48102 Reservoir Rd., St. Clairsville, Ohio 43950

[**] Term: **14 Years**

[21] Appl. No.: **34,325**

[22] Filed: **Feb. 1, 1995**

[52] U.S. Cl. **D21/195; D21/198**

[58] Field of Search **D21/191, 195, D21/198, 11; 482/905, 123, 909, 129**

[56] **References Cited**

U.S. PATENT DOCUMENTS

D. 261,294	10/1981	Clink et al.	D21/195
D. 264,236	5/1982	Vyhliadal	D21/195
D. 313,637	1/1991	Pleasant	D21/198
4,343,465	8/1982	Allen	482/905
4,406,454	9/1983	Dean	482/905
4,575,076	3/1986	Reichert et al.	482/905
4,900,019	2/1990	Shamir	482/905
5,184,994	2/1993	Morris et al.	482/905

Primary Examiner—Ted Shooman
Assistant Examiner—Philip Hyder
Attorney, Agent, or Firm—Fay, Sharpe, Beall, Fagan, Minnich & McKee

[57] **CLAIM**

The ornamental design for an arm wrestling machine, as shown and described.

DESCRIPTION

FIG. 1 is a perspective view showing my new design of arm wrestling machine, the legs thereof being shown in broken line;

FIG. 2 is a front elevational view thereof;

FIG. 3 is a top plan view thereof;

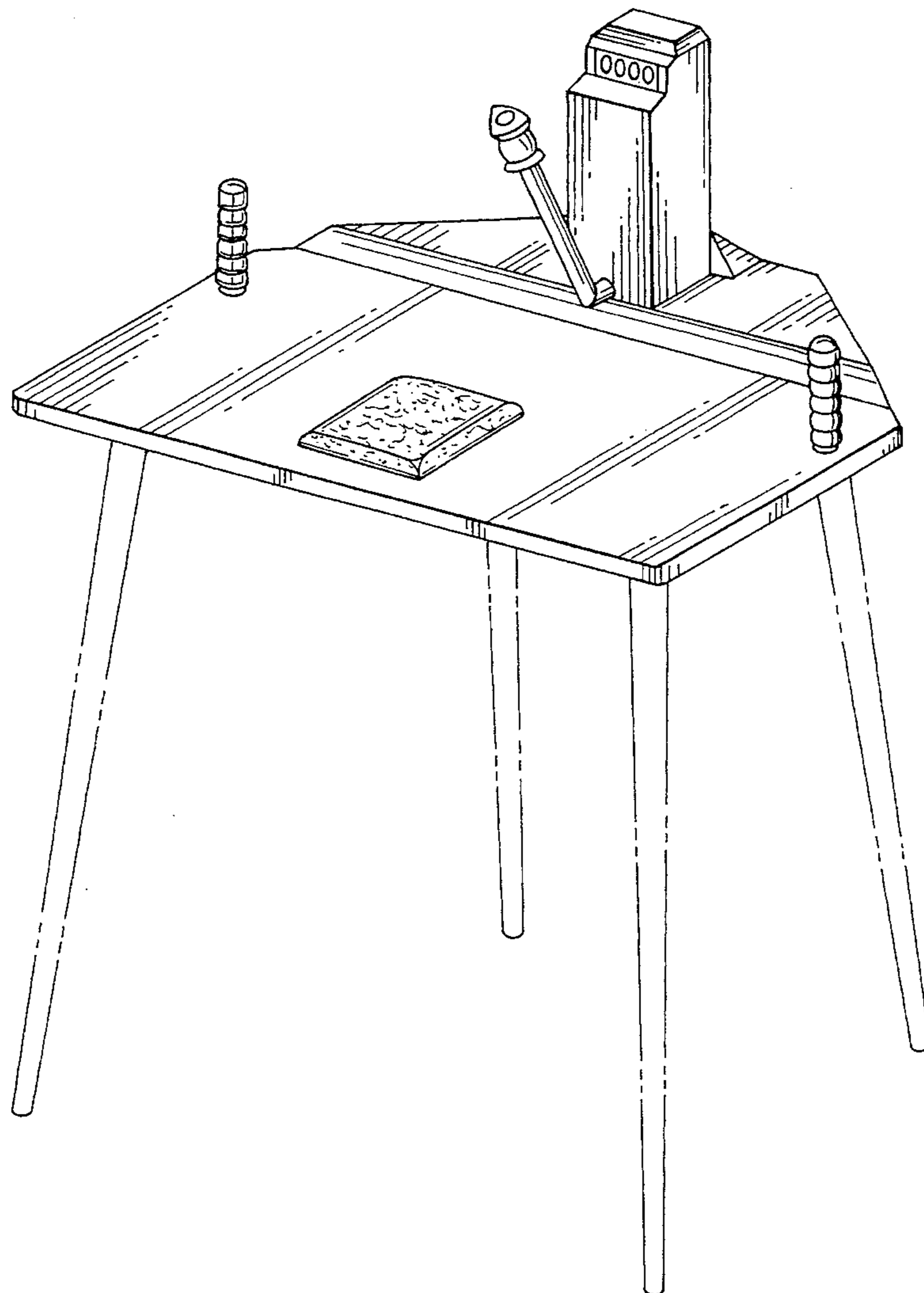
FIG. 4 is a side elevational view thereof;

FIG. 5 is a rear elevational view thereof; and,

FIG. 6 is a bottom plan view.

The broken line showing the legs of the arm wrestling machine is for illustrative purposes only and forms no part of the claimed design.

1 Claim, 4 Drawing Sheets



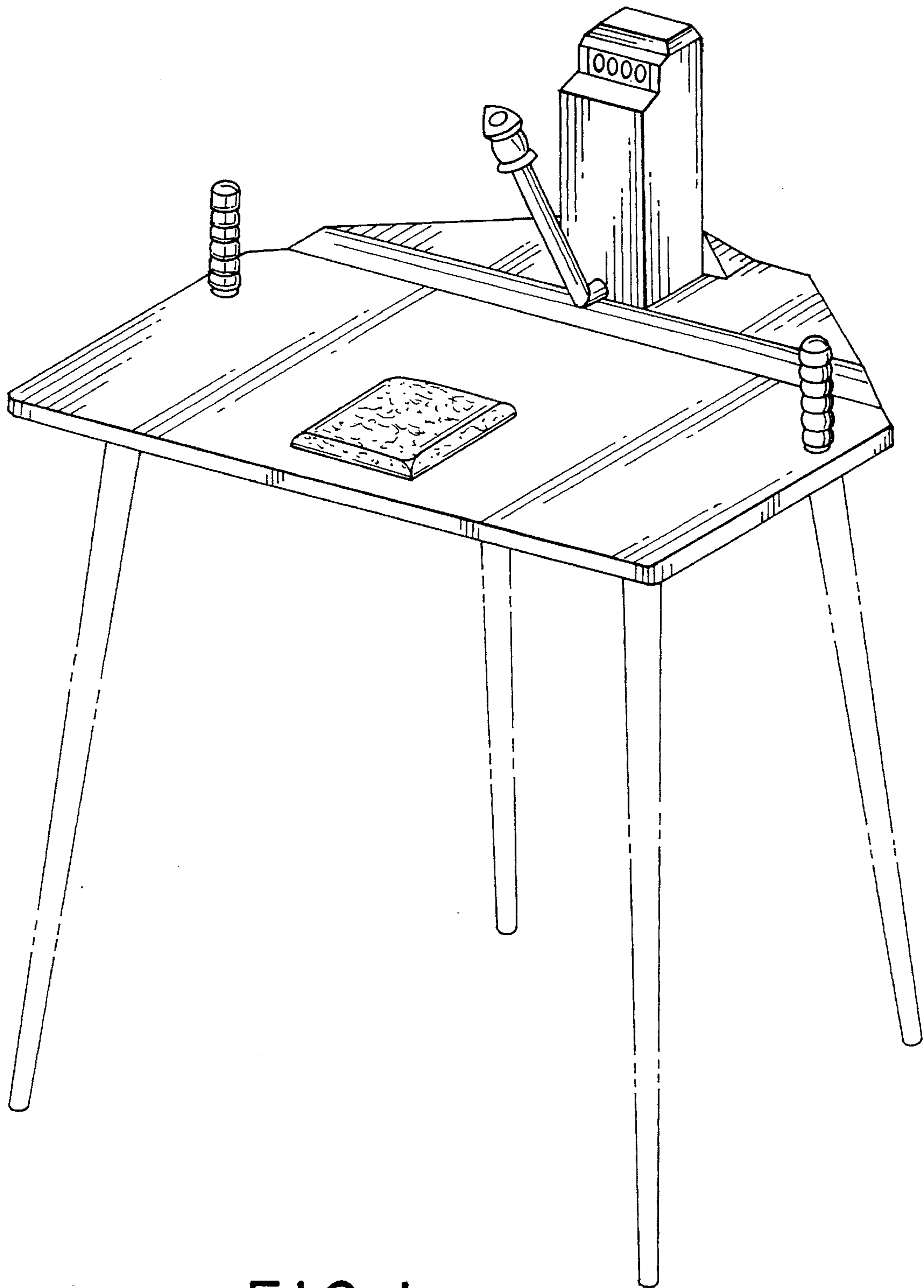


FIG. 1

FIG. 3

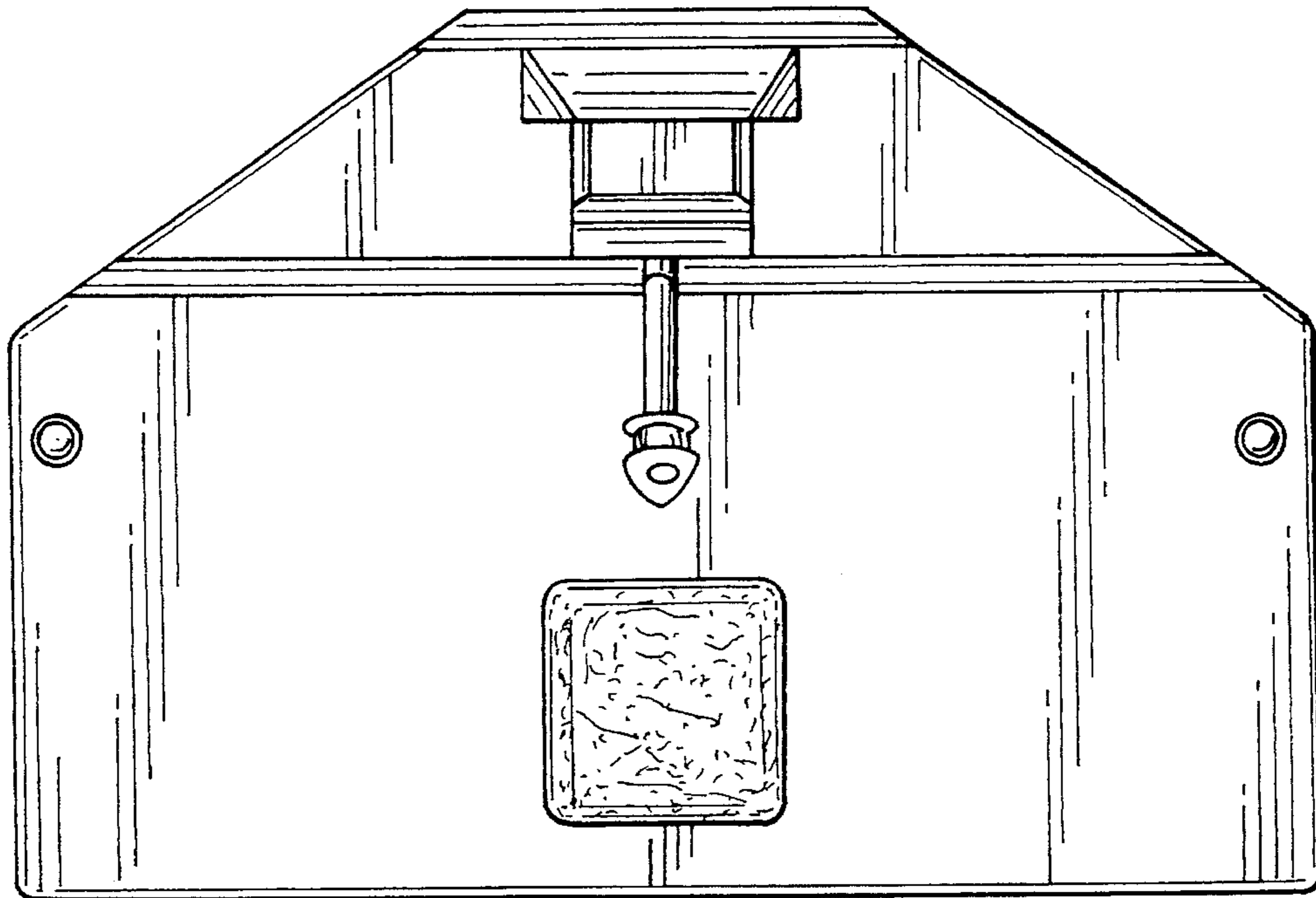


FIG. 2

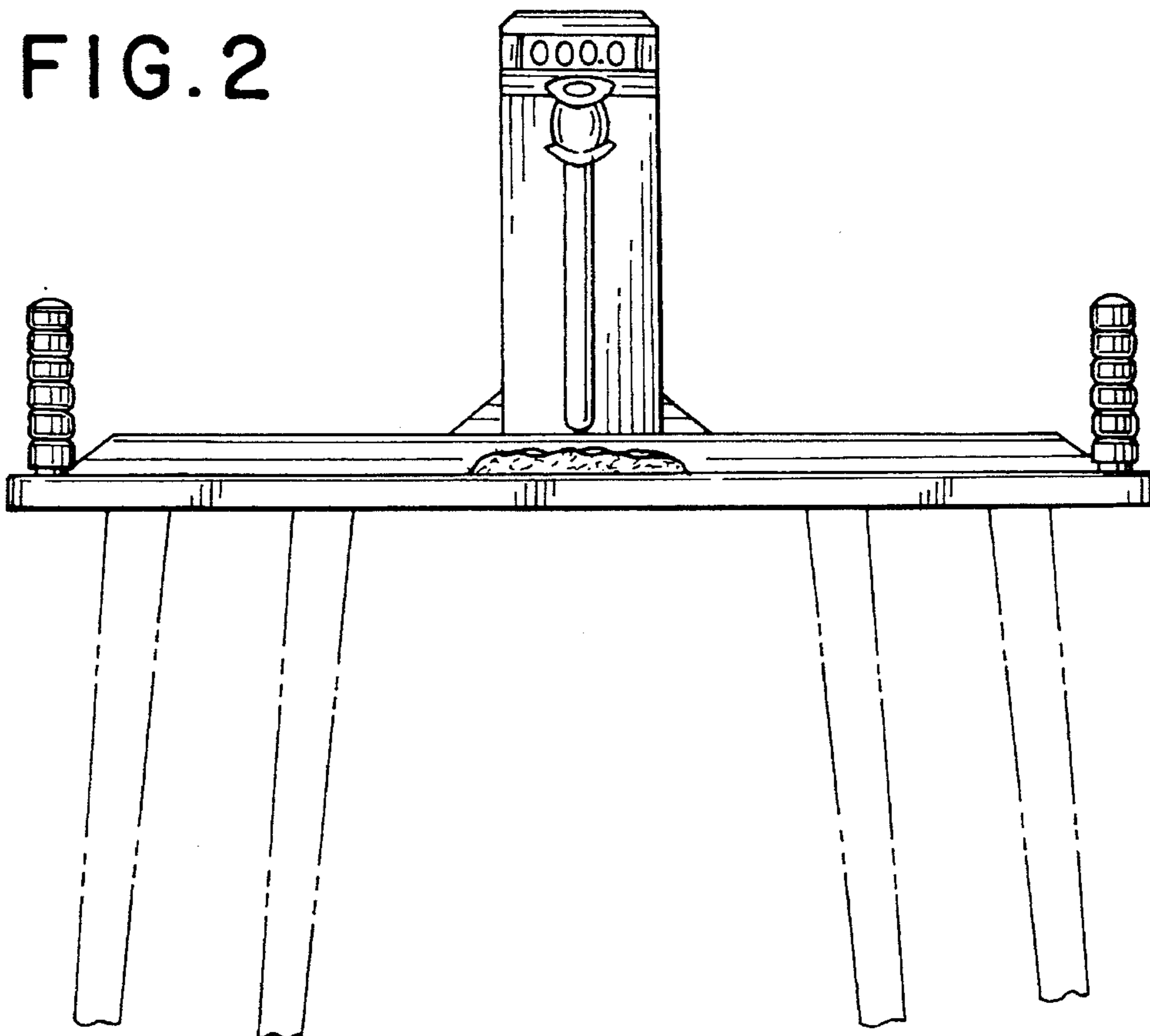


FIG. 4

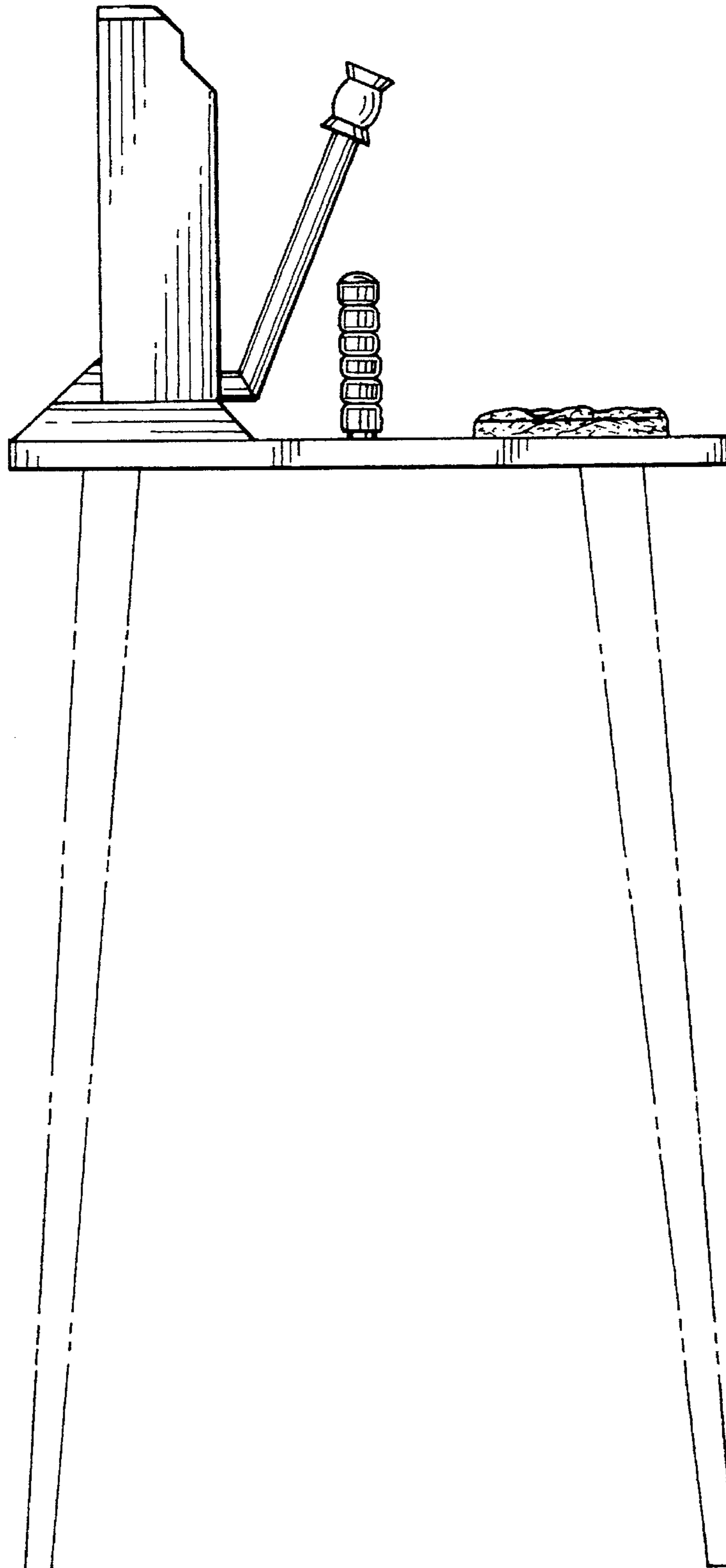


FIG. 5

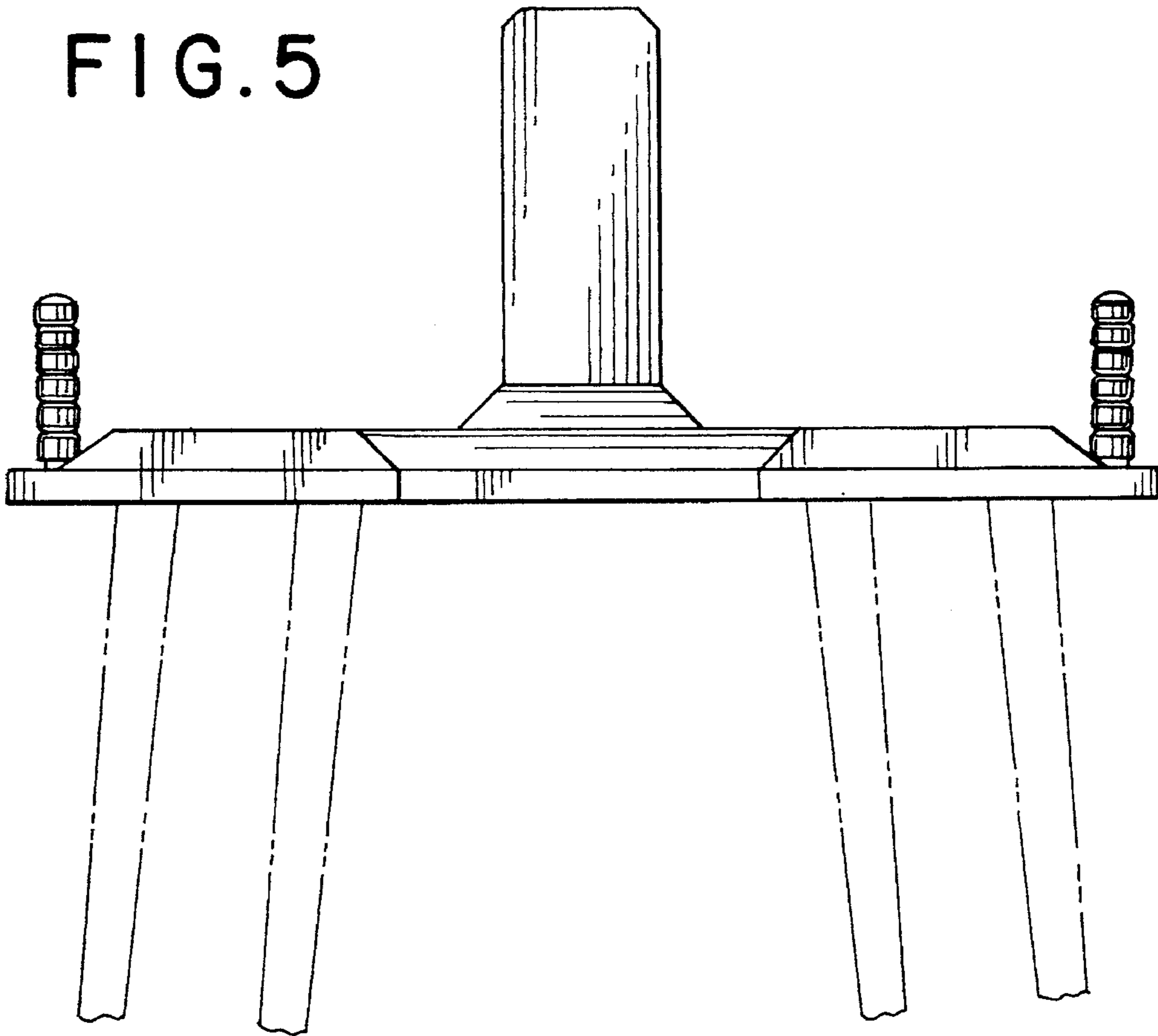


FIG. 6

