



US00D373802S

# United States Patent [19]

Doi et al.

[11] Patent Number: **Des. 373,802**

[45] Date of Patent: **\*\*Sep. 17, 1996**

[54] **TOY FIGURINE**

[75] Inventors: **Keiko Doi; Masatsune Sasaki**, both of Tokyo, Japan

[73] Assignee: **Tomy Company, Ltd.**, Tokyo, Japan

[\*\*] Term: **14 Years**

[21] Appl. No.: **38,092**

[22] Filed: **Apr. 28, 1995**

### [30] Foreign Application Priority Data

Oct. 28, 1994 [JP] Japan ..... 6-33083

[52] U.S. Cl. .... **D21/162; D21/148**

[58] Field of Search ..... D21/148-150, D21/152-154, 158-163, 165; 446/72, 97, 268, 269, 279, 289, 290, 313, 368, 369

### [56] References Cited

#### U.S. PATENT DOCUMENTS

D. 58,132 6/1921 Bucher ..... D21/162

D. 139,574	11/1944	Beaver .....	D21/162
D. 140,078	1/1945	Caplan et al. ....	D21/162
D. 141,036	5/1945	Ridley .....	D21/162
D. 141,973	8/1945	Wolf .....	D21/162
D. 181,931	1/1958	Loeb .....	D21/162
D. 356,350	3/1995	Berggreen .....	D21/162
2,482,334	9/1949	Fernald .....	D21/162

Primary Examiner—Sandra L. Morris  
Attorney, Agent, or Firm—Staas & Halsey

### [57] CLAIM

The ornamental design for a toy figurine, as shown.

### DESCRIPTION

FIG. 1 is a front elevational view of the toy figurine; FIG. 2 is a rear elevational view thereof; FIG. 3 is a top plan view thereof; FIG. 4 is a bottom plan view thereof; FIG. 5 is a right side elevational view thereof; and, FIG. 6 is a left side elevational view thereof.

**1 Claim, 2 Drawing Sheets**

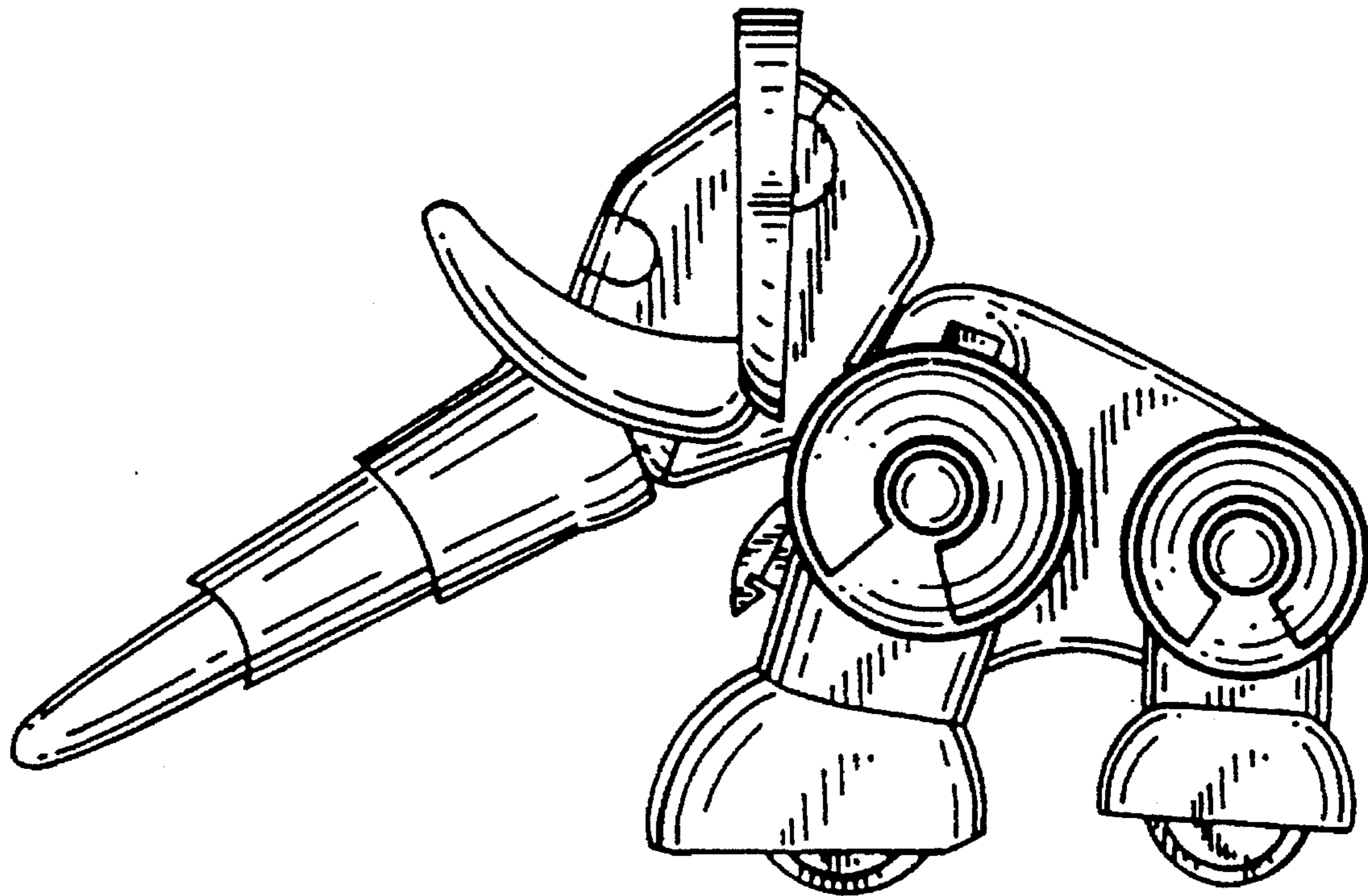


FIG. 1

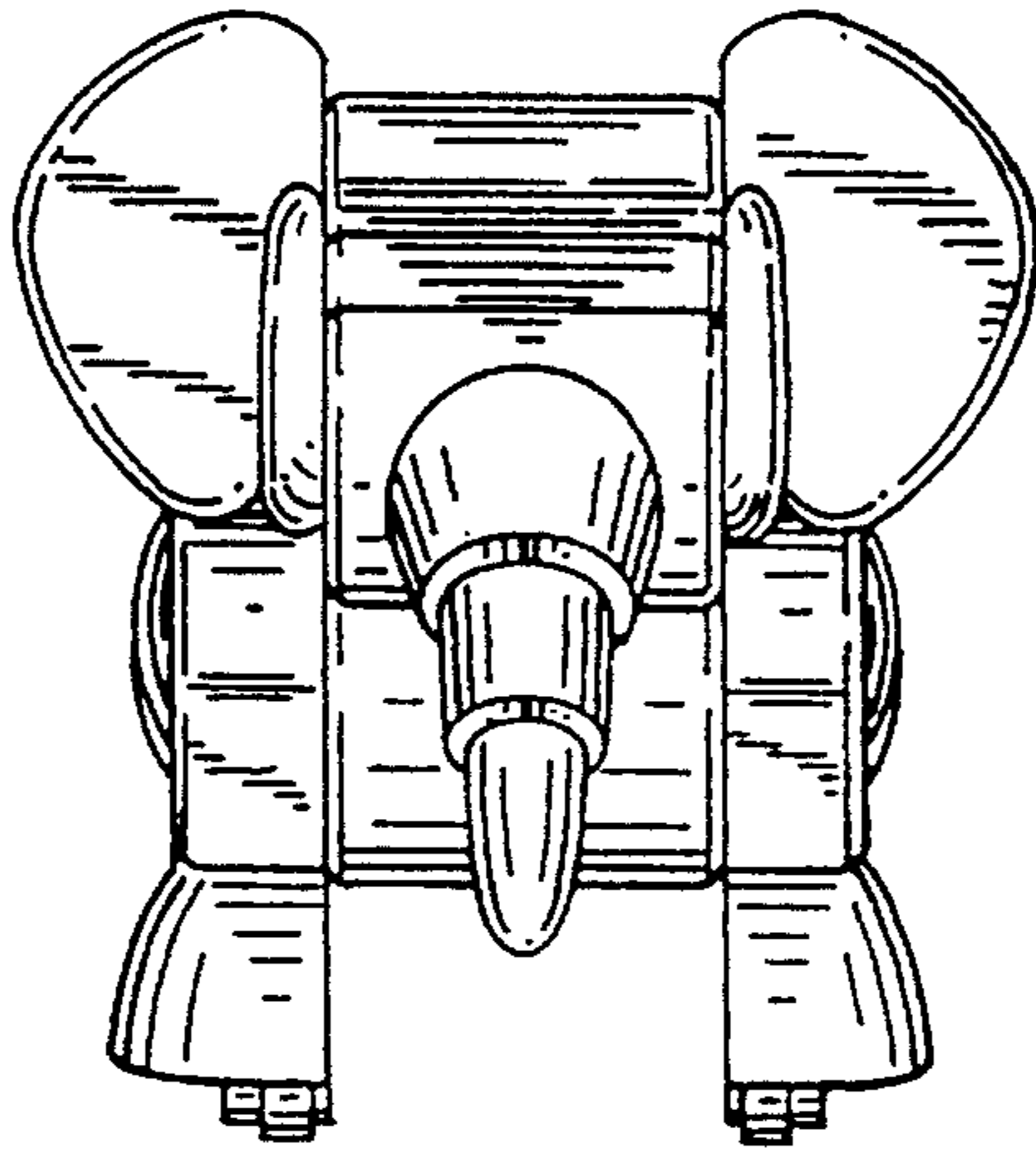


FIG. 2

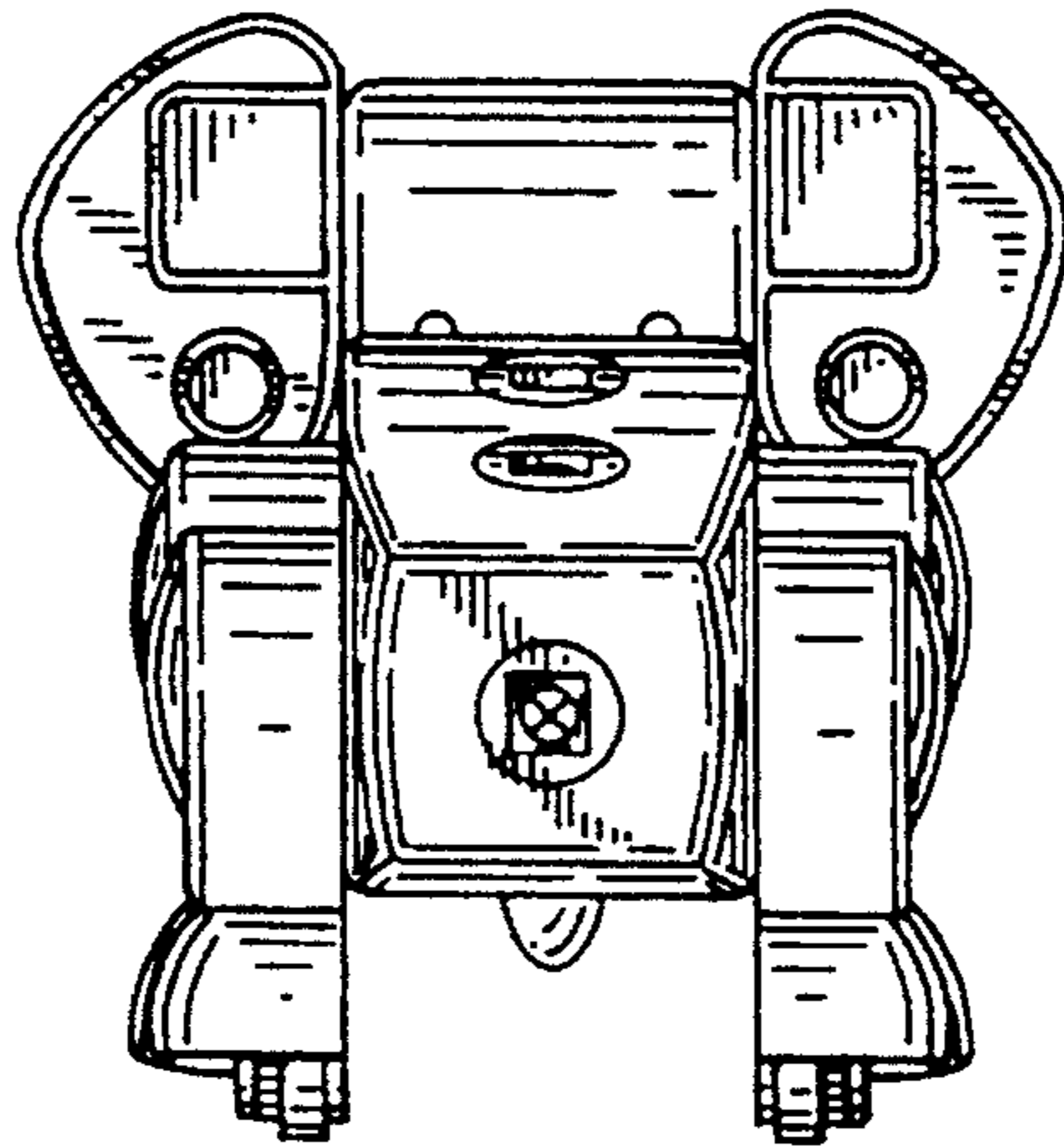


FIG. 3

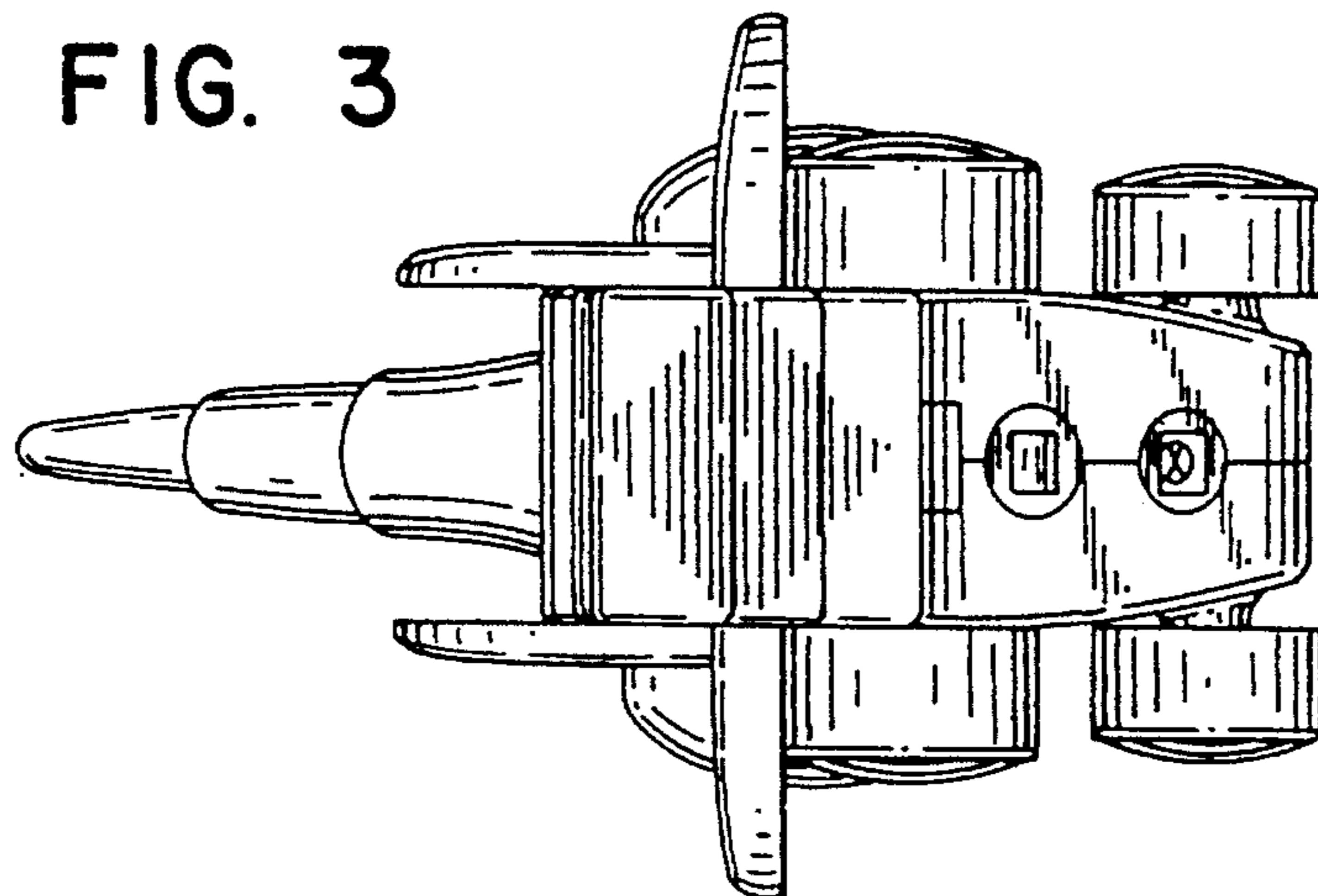


FIG. 4

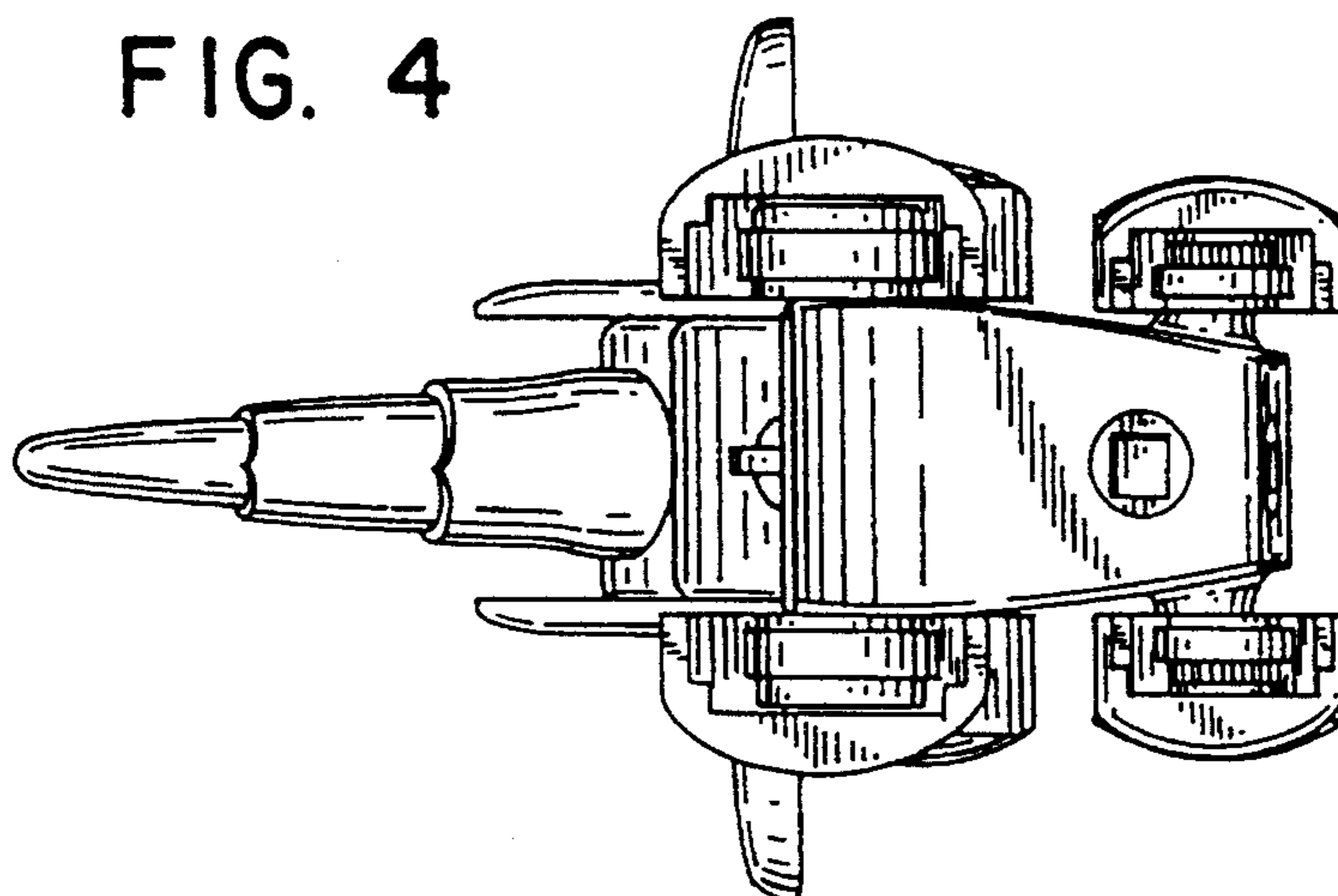


FIG. 5

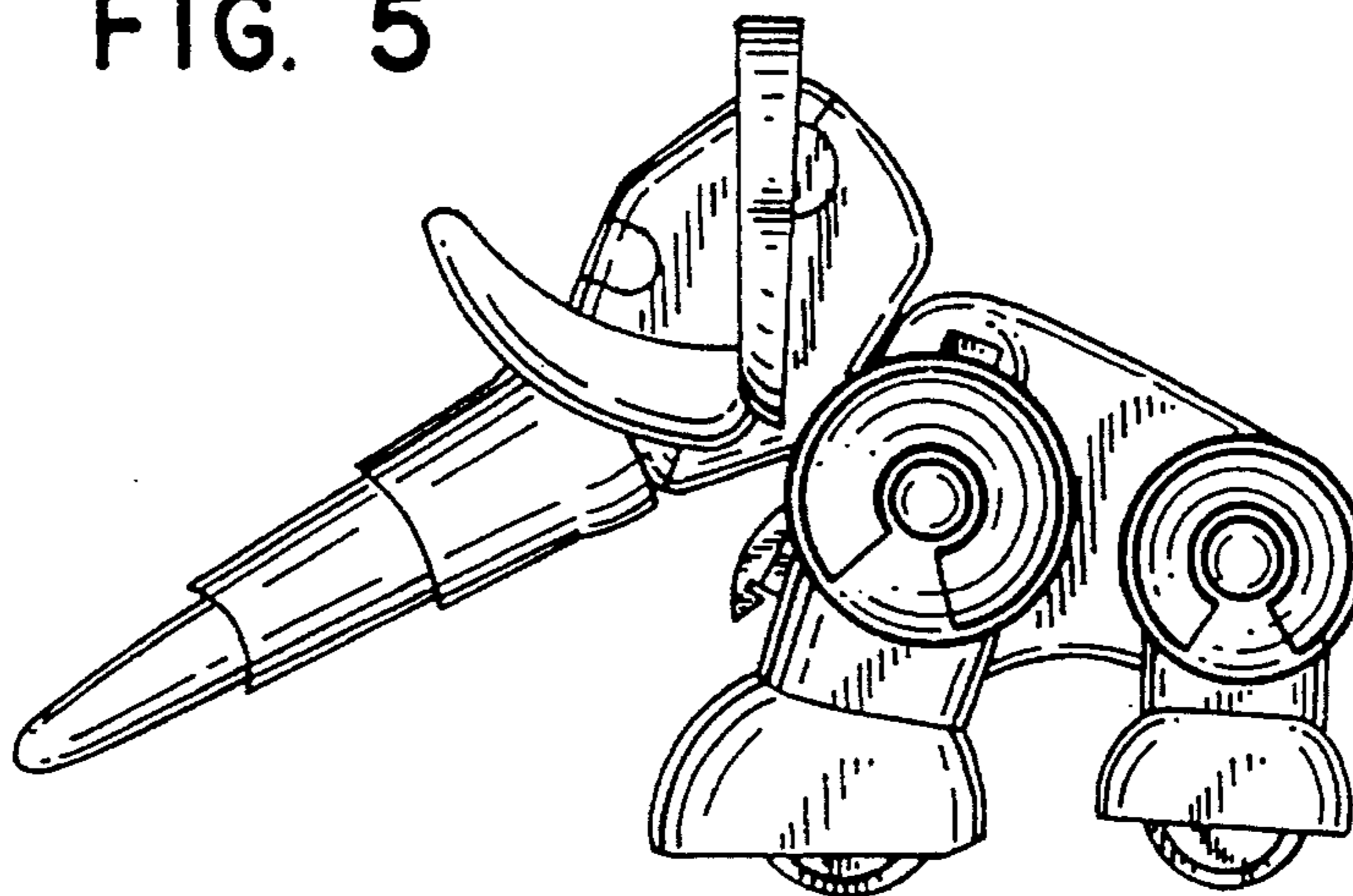


FIG. 6

