



US00D373801S

# United States Patent [19]

Doi et al.

[11] Patent Number: **Des. 373,801**

[45] Date of Patent: **\*\*Sep. 17, 1996**

[54] **TOY FIGURINE**

[75] Inventors: **Keiko Doi; Masatsune Sasaki**, both of Tokyo, Japan

[73] Assignee: **Tomy Company, Ltd.**, Tokyo, Japan

[\*\*] Term: **14 Years**

[21] Appl. No.: **38,093**

[22] Filed: **Apr. 28, 1995**

[30] **Foreign Application Priority Data**

Oct. 28, 1994 [JP] Japan ..... 6-33082

[52] **U.S. Cl.** ..... **D21/161; D21/148**

[58] **Field of Search** ..... D21/148-150, D21/152-154, 158-163, 165; 446/72, 97, 268, 269, 279, 289, 290, 313, 368, 369

[56] **References Cited**

### U.S. PATENT DOCUMENTS

D. 51,470 11/1917 Hammock ..... D21/161

D. 72,237	3/1927	Plooster	.....	D21/161
D. 169,418	4/1953	Campbell	.....	D21/148
D. 178,513	8/1956	Glass	.....	D21/161
D. 186,323	10/1959	Kinniburgh	.....	D21/161
D. 206,603	1/1967	Elzaurdia et al.	.....	D21/148
D. 246,738	12/1977	Nakao	.....	D21/161
D. 307,778	5/1990	Shinohara	.....	D21/161
2,385,914	10/1945	Generale	.....	D21/161

*Primary Examiner*—Sandra L. Morris  
*Attorney, Agent, or Firm*—Staas & Halsey

### [57] CLAIM

The ornamental design for a toy figurine, as shown.

### DESCRIPTION

FIG. 1 is a front elevational view of the toy figurine; FIG. 2 is a rear elevational view thereof; FIG. 3 is a top plan view thereof; FIG. 4 is a bottom plan view thereof; FIG. 5 is a right side elevational view thereof; and, FIG. 6 is a left side elevational view thereof.

**1 Claim, 2 Drawing Sheets**

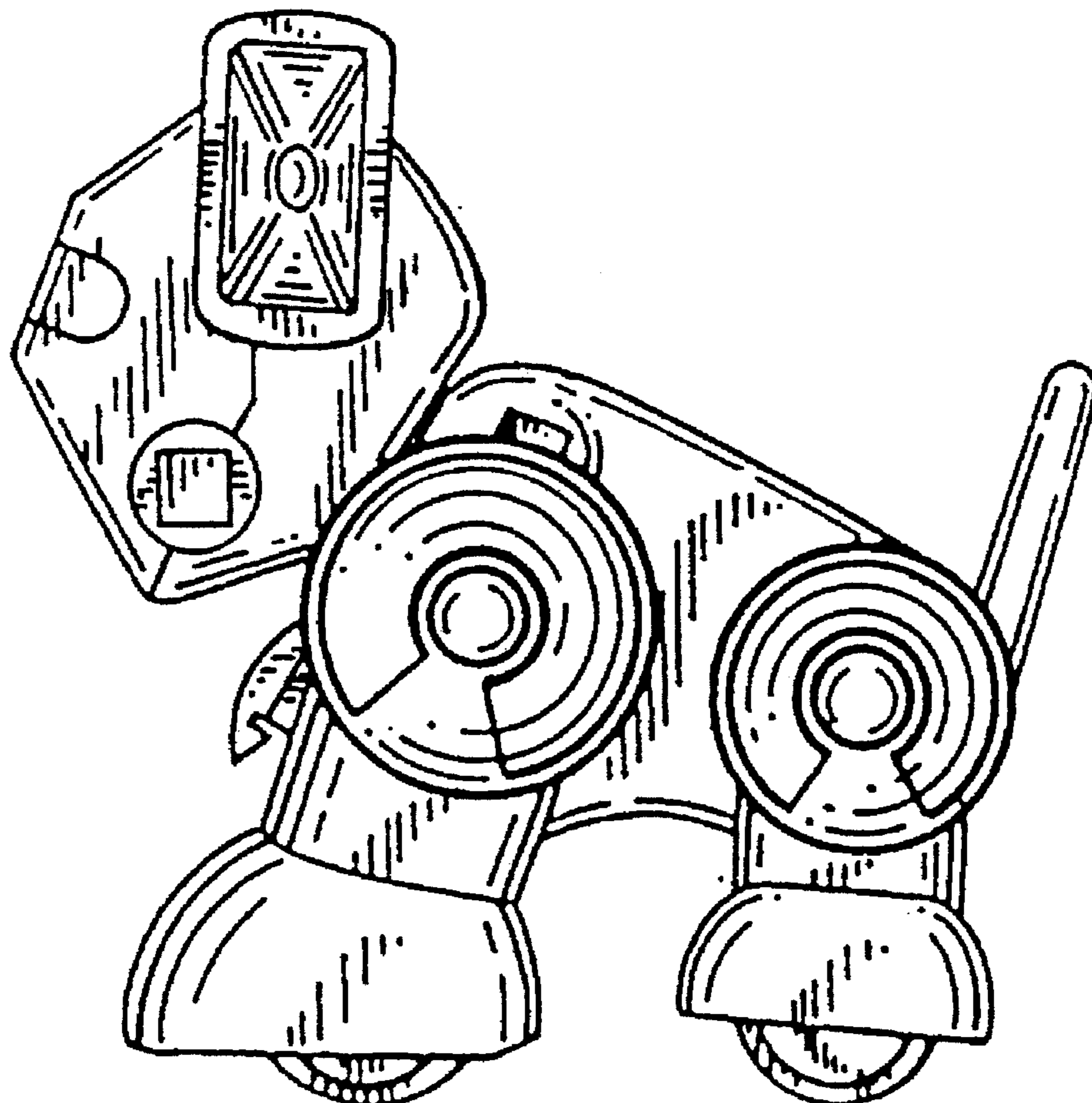


FIG. 1

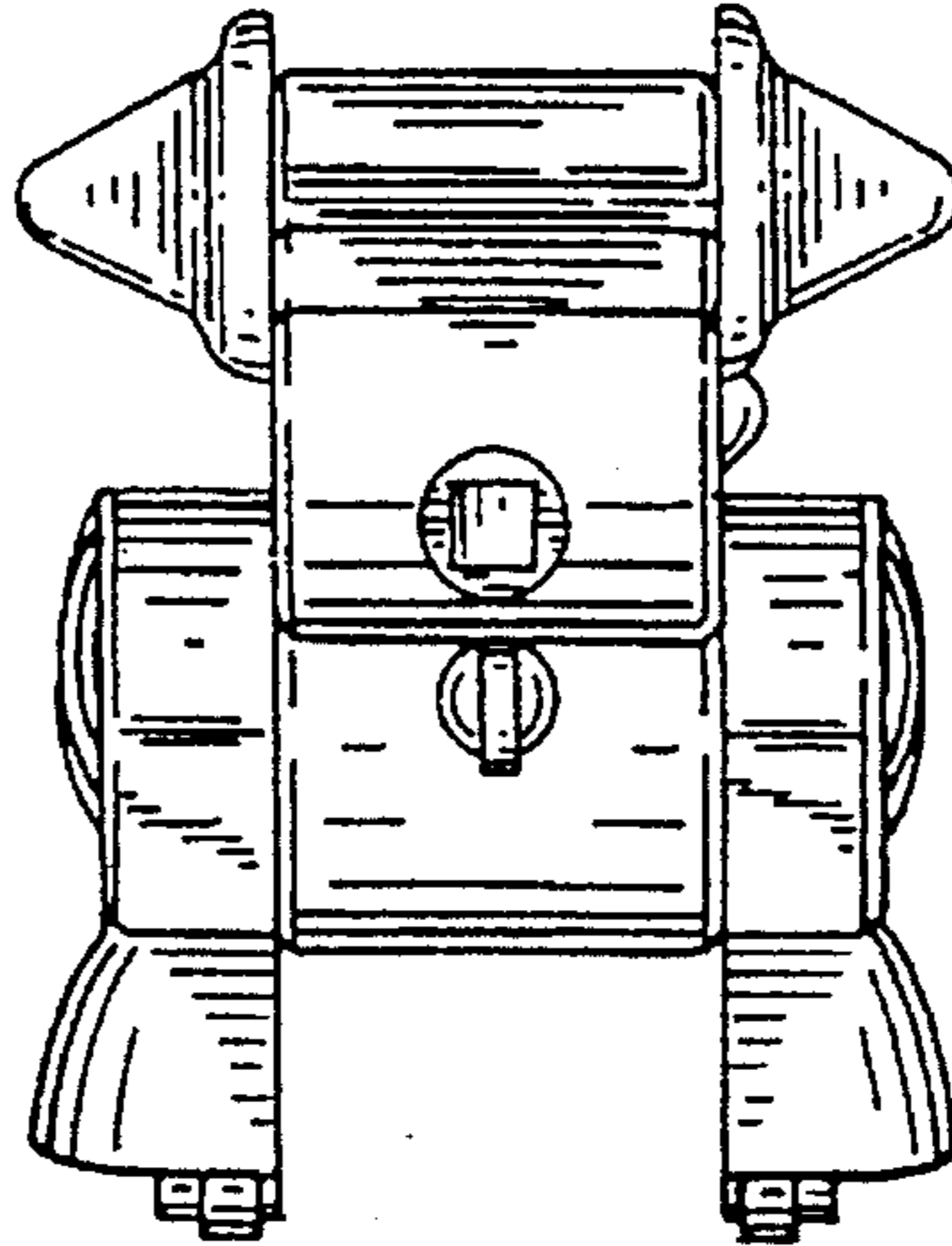


FIG. 2

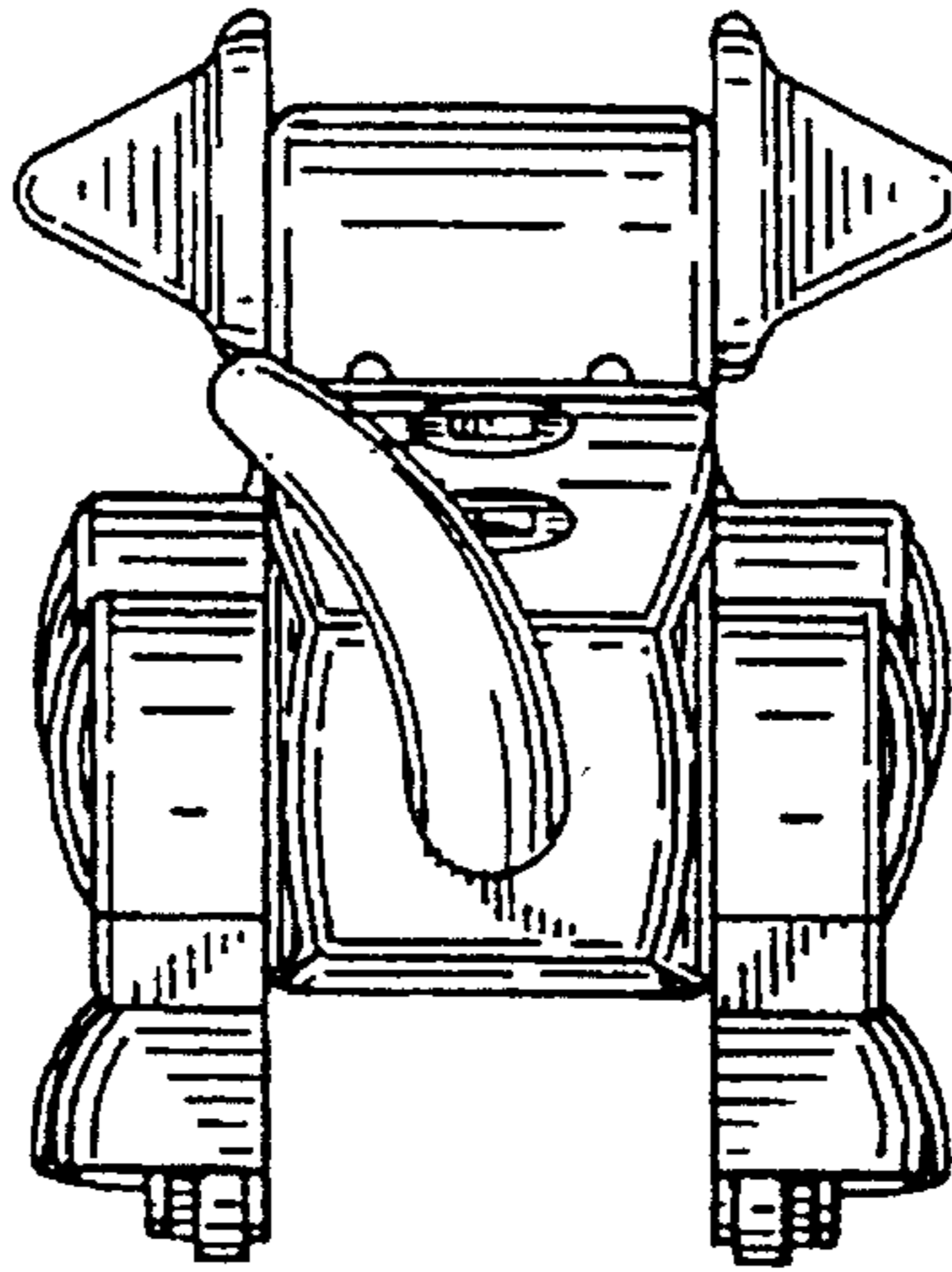


FIG. 3

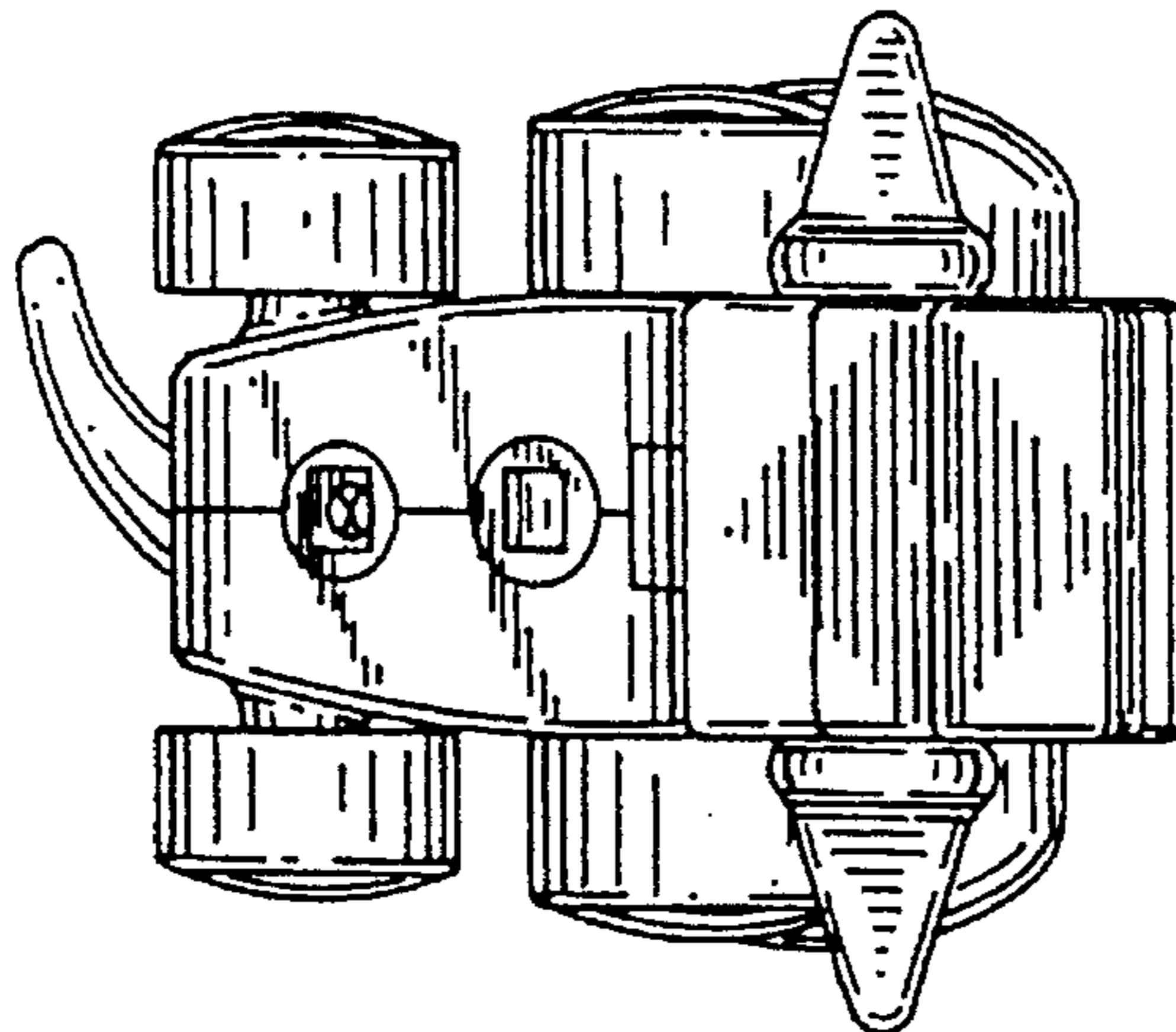


FIG. 4

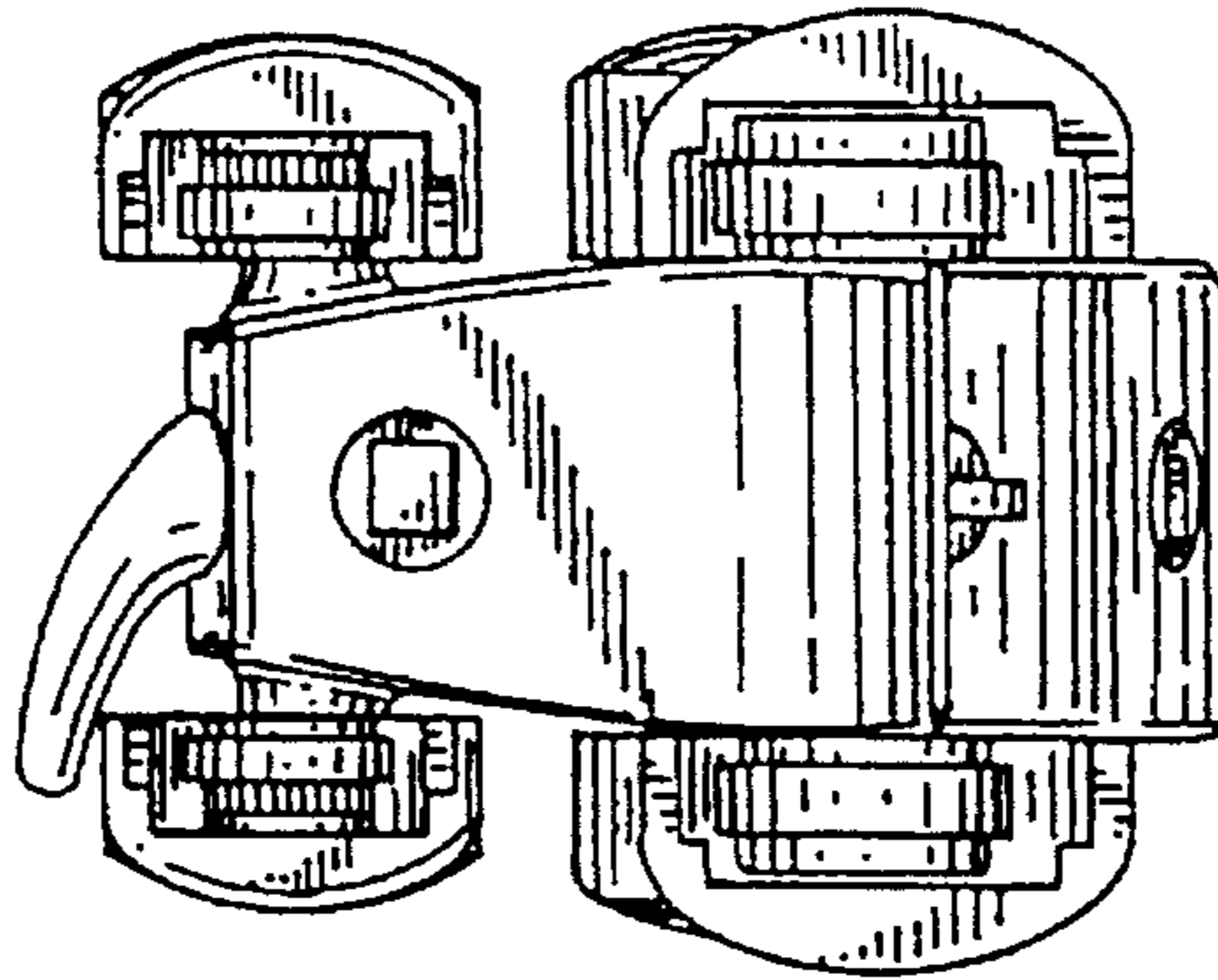


FIG. 5

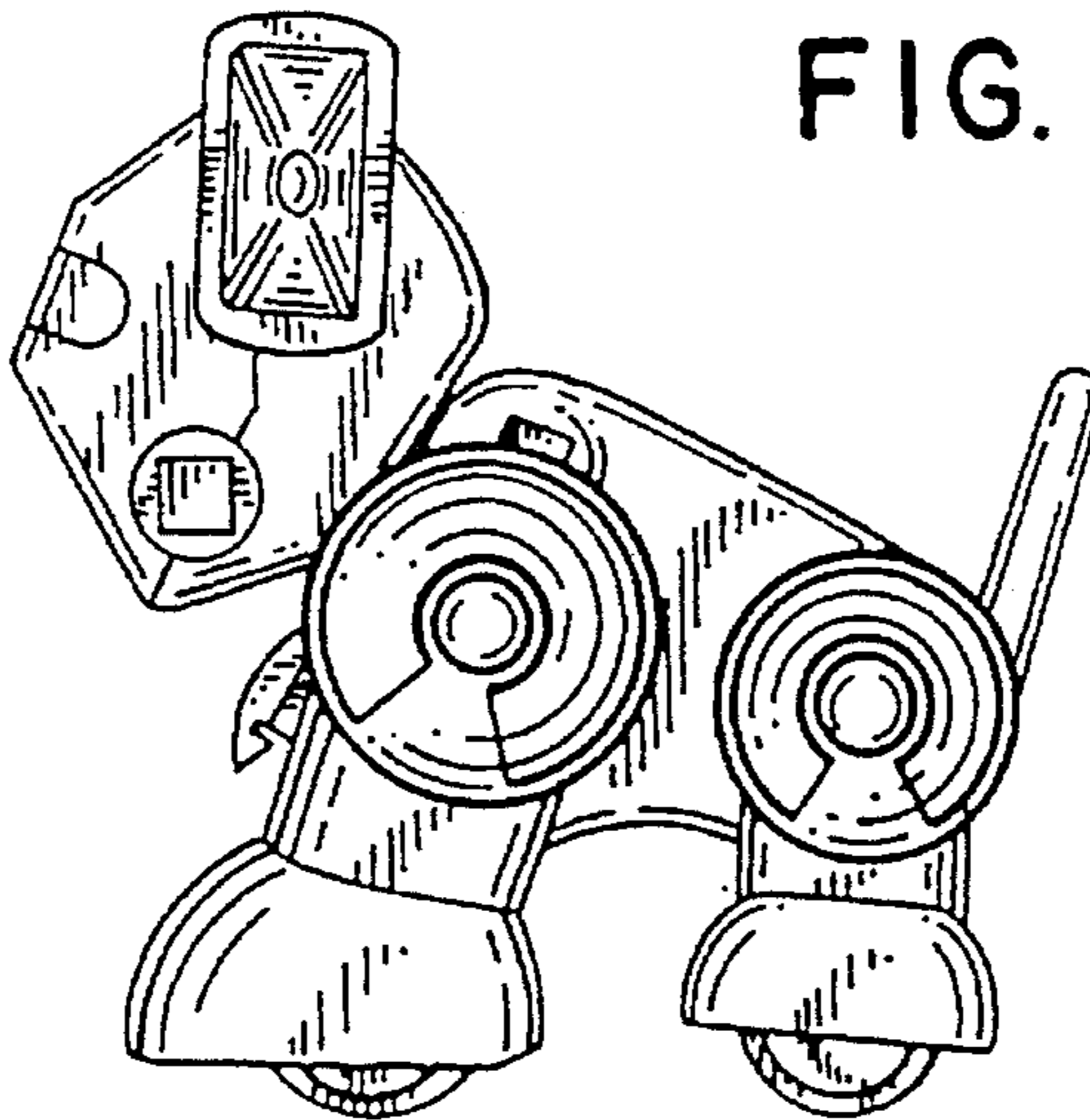


FIG. 6

