



US00D373792S

United States Patent [19] Wall

[11] Patent Number: **Des. 373,792**

[45] Date of Patent: ****Sep. 17, 1996**

[54] **PRESCHOOL TEACHING AID**
[76] Inventor: **Patsy R. Wall**, c/o George Oen Dollins
8038 Wood La., Terrell, Tex. 75160

719952 11/1978 Germany 434/200
3476 5/1919 Netherlands 434/200
1438483 6/1976 United Kingdom 434/200

[**] Term: **14 Years**

OTHER PUBLICATIONS

Ruth Wall, *Classroom Keys, A Curriculum that brings Structure: Order: Positive Learning Experiences.*
P. Ruth Wall, *Kingdom Keys, A Complete Christian Curriculum Guide to Order and Instruction for Educational Learning Centers.*

[21] Appl. No.: **39,489**
[22] Filed: **May 30, 1995**
[52] U.S. Cl. **D19/64; D8/372**
[58] Field of Search D19/59, 60, 61,
D19/62, 63, 64; 434/407, 200, 205, 195;
D6/572; D8/372

Primary Examiner—Susan J. Lucas
Assistant Examiner—Pamela Burgess
Attorney, Agent, or Firm—Richard C. Litman

[56] References Cited

[57] CLAIM

U.S. PATENT DOCUMENTS

The ornamental design for a preschool teaching aid, as shown and decrived.

D. 34,820	7/1901	Christman	D8/372
D. 170,563	10/1953	Zipkin	D19/59
2,672,344	3/1954	Wakefield .	
3,724,101	4/1973	Slezak .	
3,788,644	1/1974	Evans	434/200
4,107,855	8/1978	Rapchen	434/200
4,188,734	2/1980	Rich	434/200
4,378,214	3/1983	Scherer .	
4,637,798	1/1987	Maiden-Neset .	
4,846,692	7/1989	Delcambre .	
4,927,158	5/1990	Lierman	434/200
5,145,377	9/1992	Tarvin et al. .	
5,167,503	12/1992	Jordan .	
5,167,505	12/1992	Walsh .	
5,362,061	11/1994	Napolitano .	

DESCRIPTION

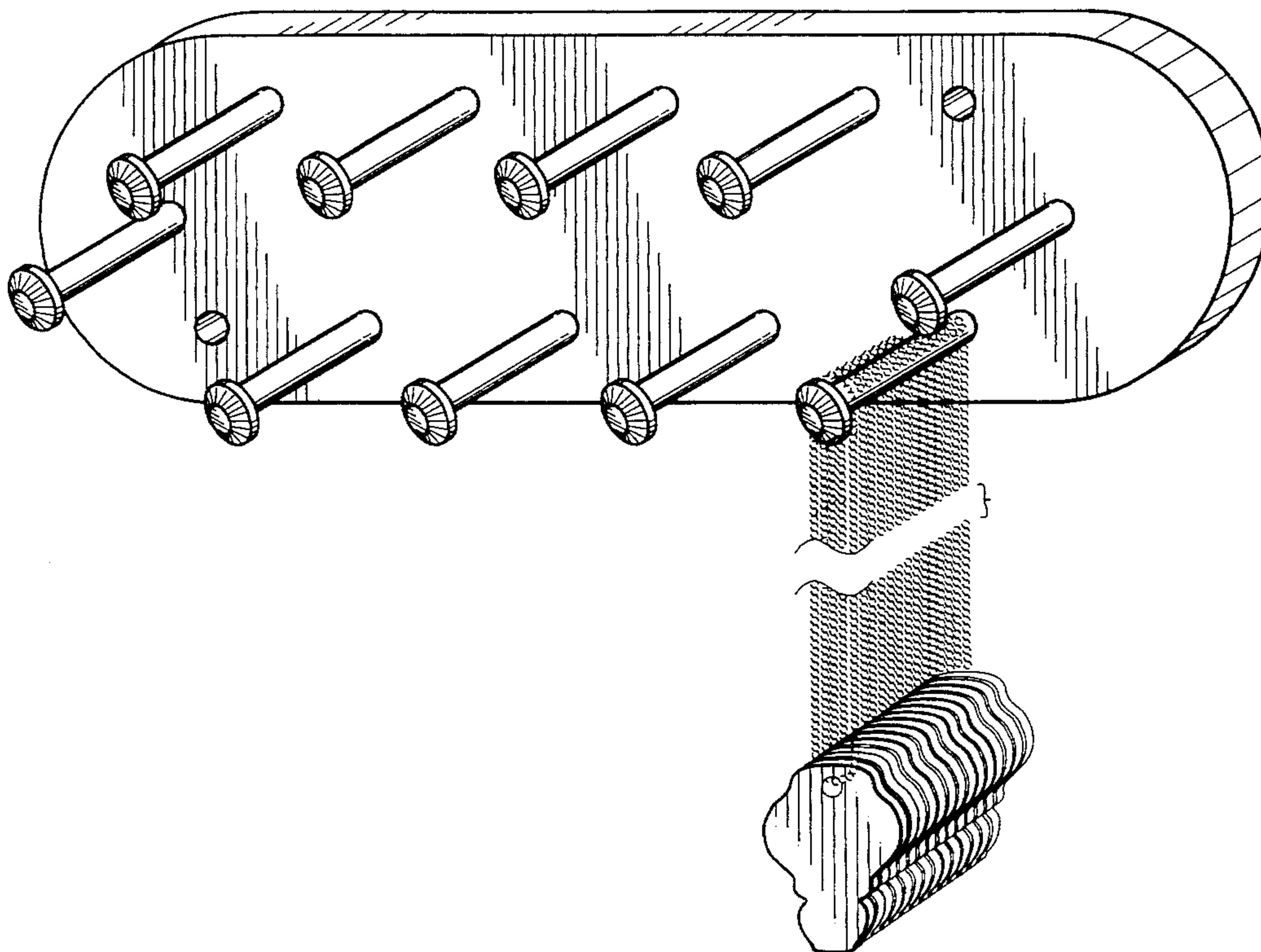
FIG. 1 is an isometric view of a preschool teaching aid showing my new design;
FIG. 2 is a front elevational view thereof;
FIG. 3 is a rear elevational view thereof;
FIG. 4 is a top view thereof;
FIG. 5 is an enlarged right side elevational view thereof;
FIG. 6 is an enlarged left side elevational view thereof; and,
FIG. 7 is a bottom view thereof.

The broken lines depicting the key chains are for illustrative purposes only and form no part of the claimed design.

FOREIGN PATENT DOCUMENTS

73742	6/1958	France	434/200
-------	--------	--------------	---------

1 Claim, 7 Drawing Sheets



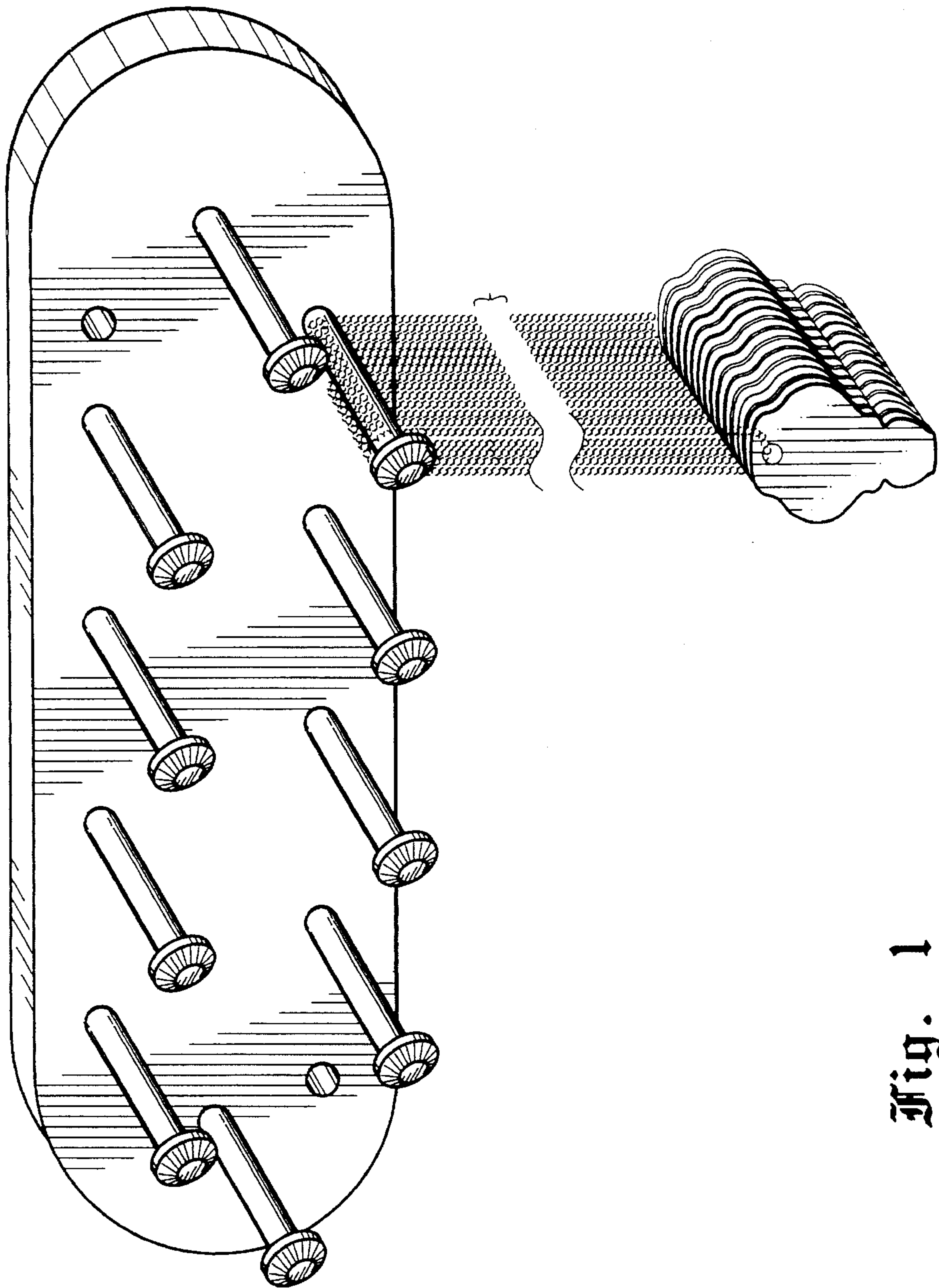


Fig. 1

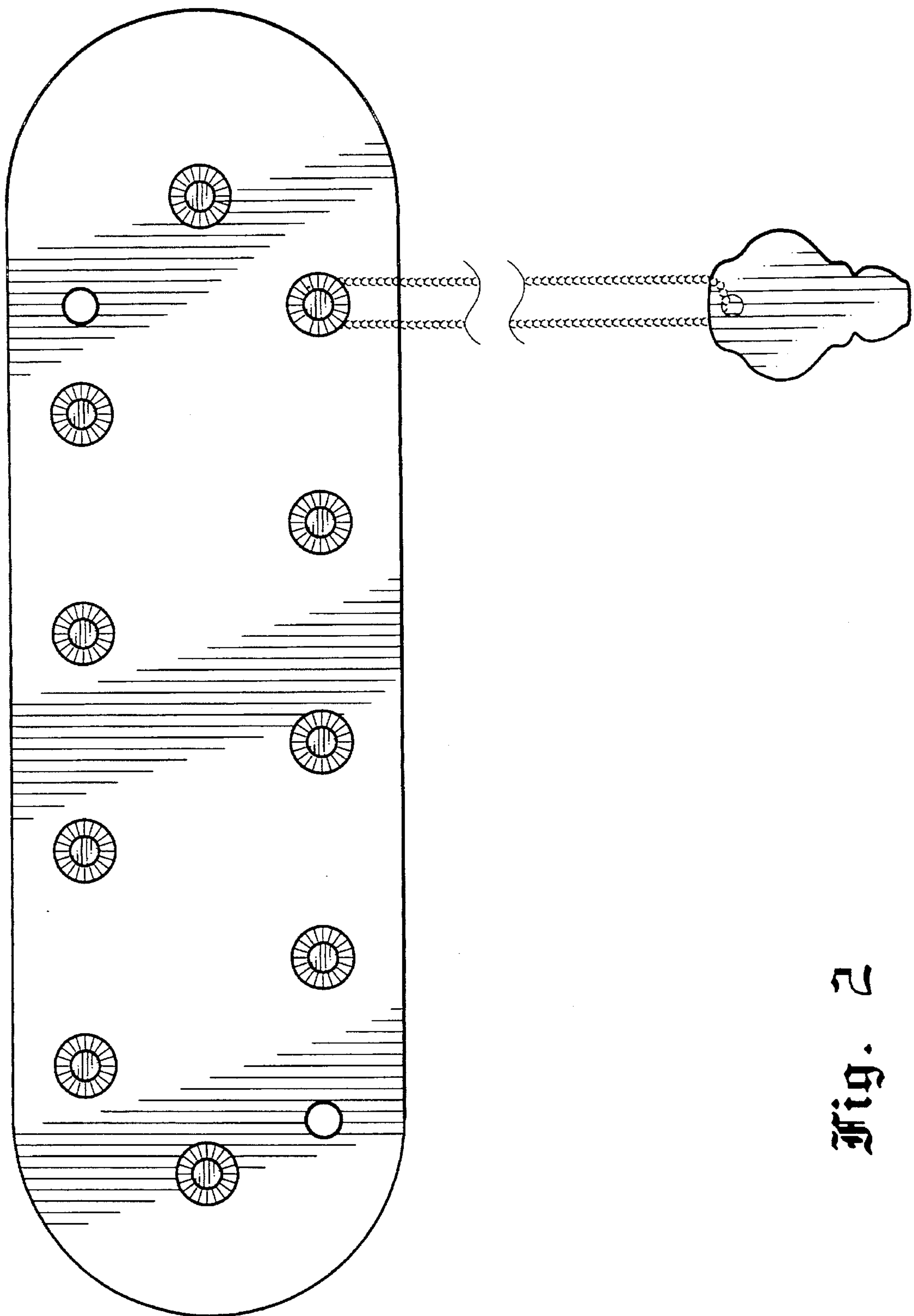


Fig. 2

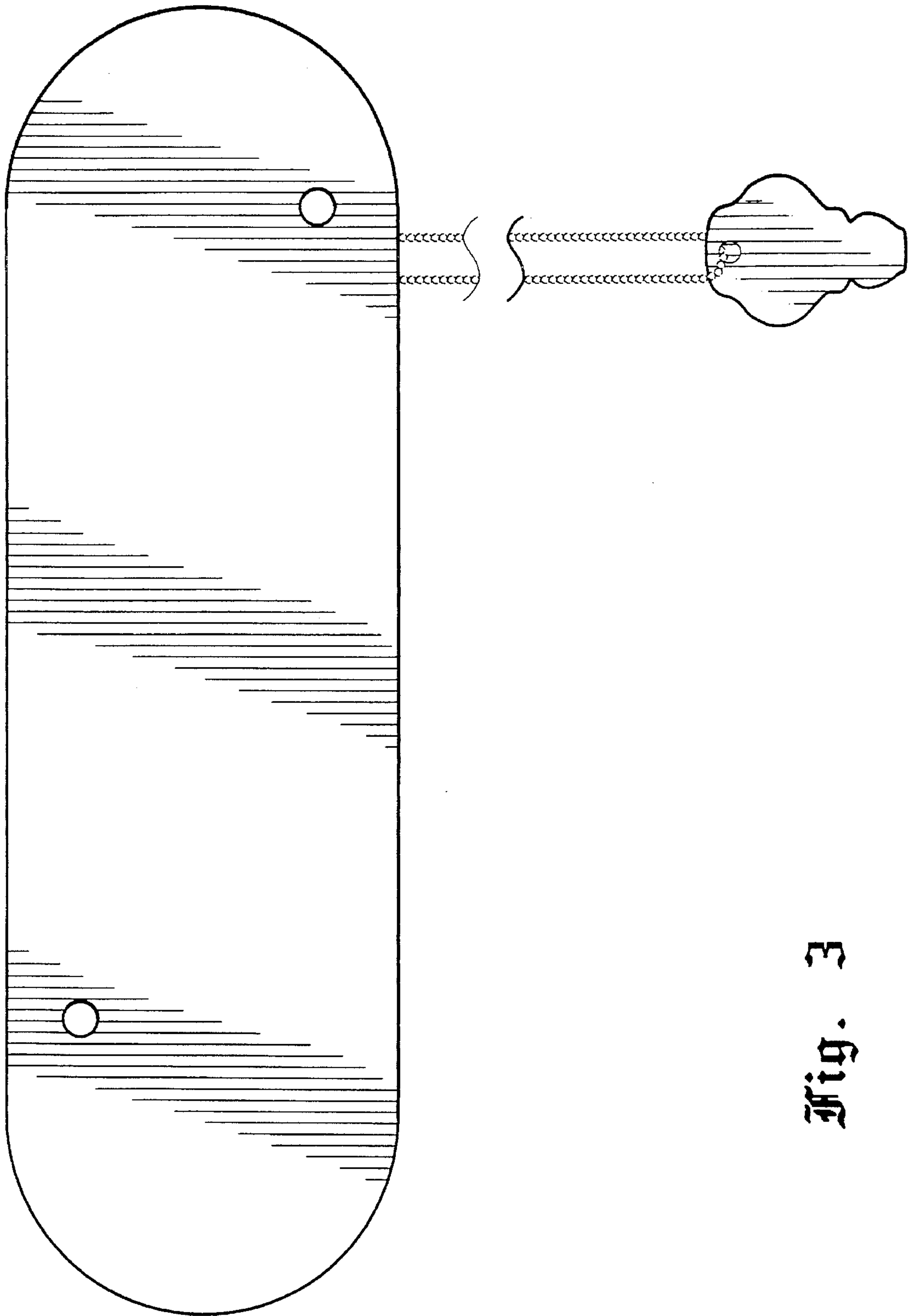


Fig. 3

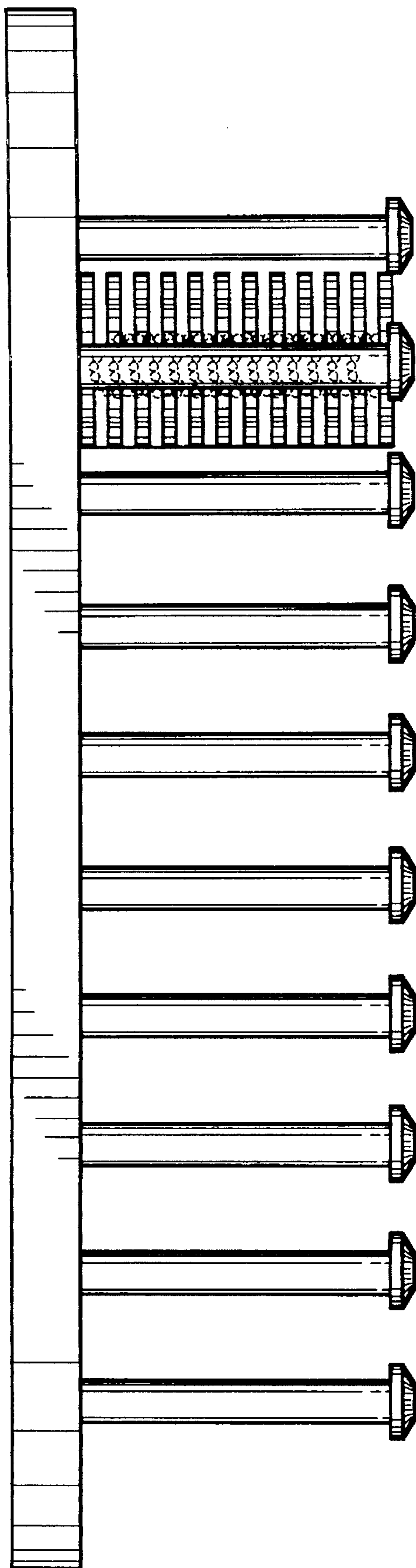


Fig. 4

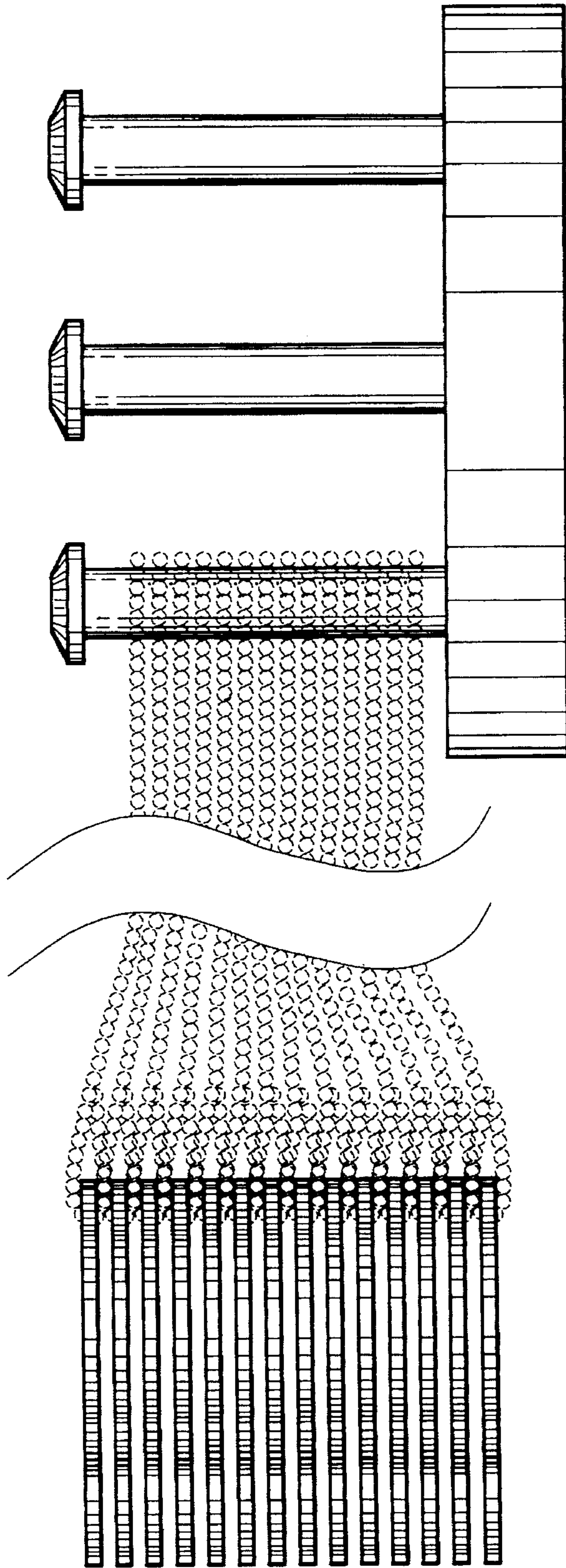


Fig. 5

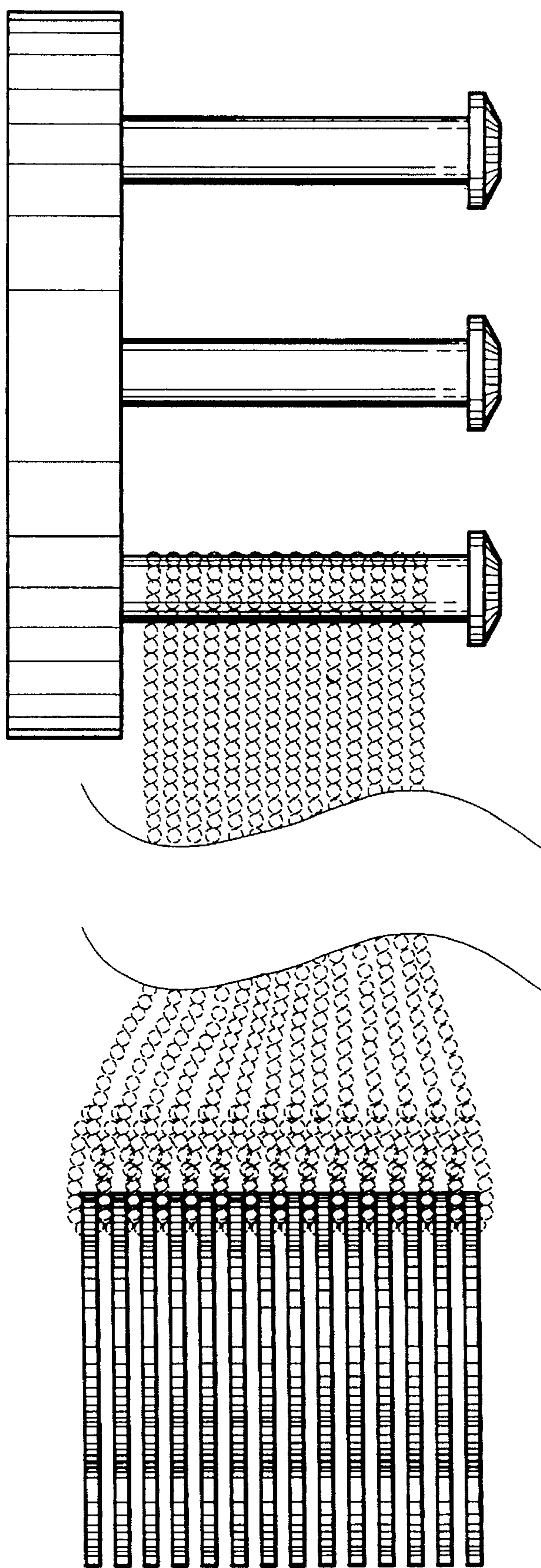


Fig. 6

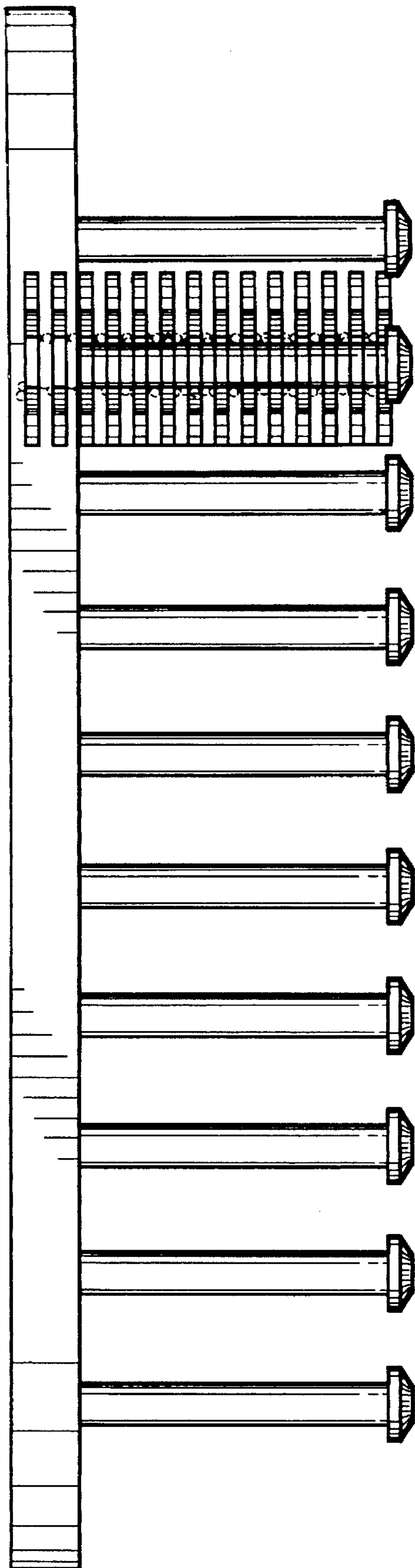


Fig. 7