



US00D373787S

United States Patent [19]

Isomoto et al.

[11] Patent Number: **Des. 373,787**

[45] Date of Patent: ****Sep. 17, 1996**

[54] **TONER BOTTLE CAP FOR COPYING MACHINE**

[75] Inventors: **Masataka Isomoto; Toshiaki Nagashima**, both of Yokohama, Japan

[73] Assignee: **Canon Kabushiki Kaisha**, Tokyo, Japan

[**] Term: **14 Years**

[21] Appl. No.: **36,716**

[22] Filed: **Mar. 27, 1995**

[30] Foreign Application Priority Data

Sep. 30, 1994 [JP] Japan 6-29874

[52] U.S. Cl. **D18/40; D9/435; D18/43**

[58] Field of Search D18/40, 43, 56; D9/435; D16/246, 250; 206/527; 222/166, 240, 325, 541, DIG. 1; 141/1; 118/653, 657; 355/260, 298

[56] References Cited

U.S. PATENT DOCUMENTS

D. 319,464 8/1991 Takahashi et al. D18/43

D. 332,280	1/1993	Yoshida et al.	D18/43
D. 333,832	3/1993	Suzuki et al.	D18/40
D. 344,284	2/1994	Suzuki et al.	D18/43
D. 362,676	9/1995	Shimizu et al.	D18/43

Primary Examiner—Nelson C. Holtje
Assistant Examiner—Caron D. Veynar
Attorney, Agent, or Firm—Fitzpatrick, Cella, Harper & Scinto

[57] CLAIM

The ornamental design for a toner bottle cap for copying machine, as shown and described.

DESCRIPTION

FIG. 1 is a front elevational view of a toner bottle cap for copying machine showing our new design; FIG. 2 is a rear elevational view thereof; FIG. 3 is a top plan view thereof; FIG. 4 is a bottom plan view thereof; FIG. 5 is a left side elevational view thereof; FIG. 6 is a right side elevational view thereof; and, FIG. 7 is a perspective view thereof.

1 Claim, 3 Drawing Sheets

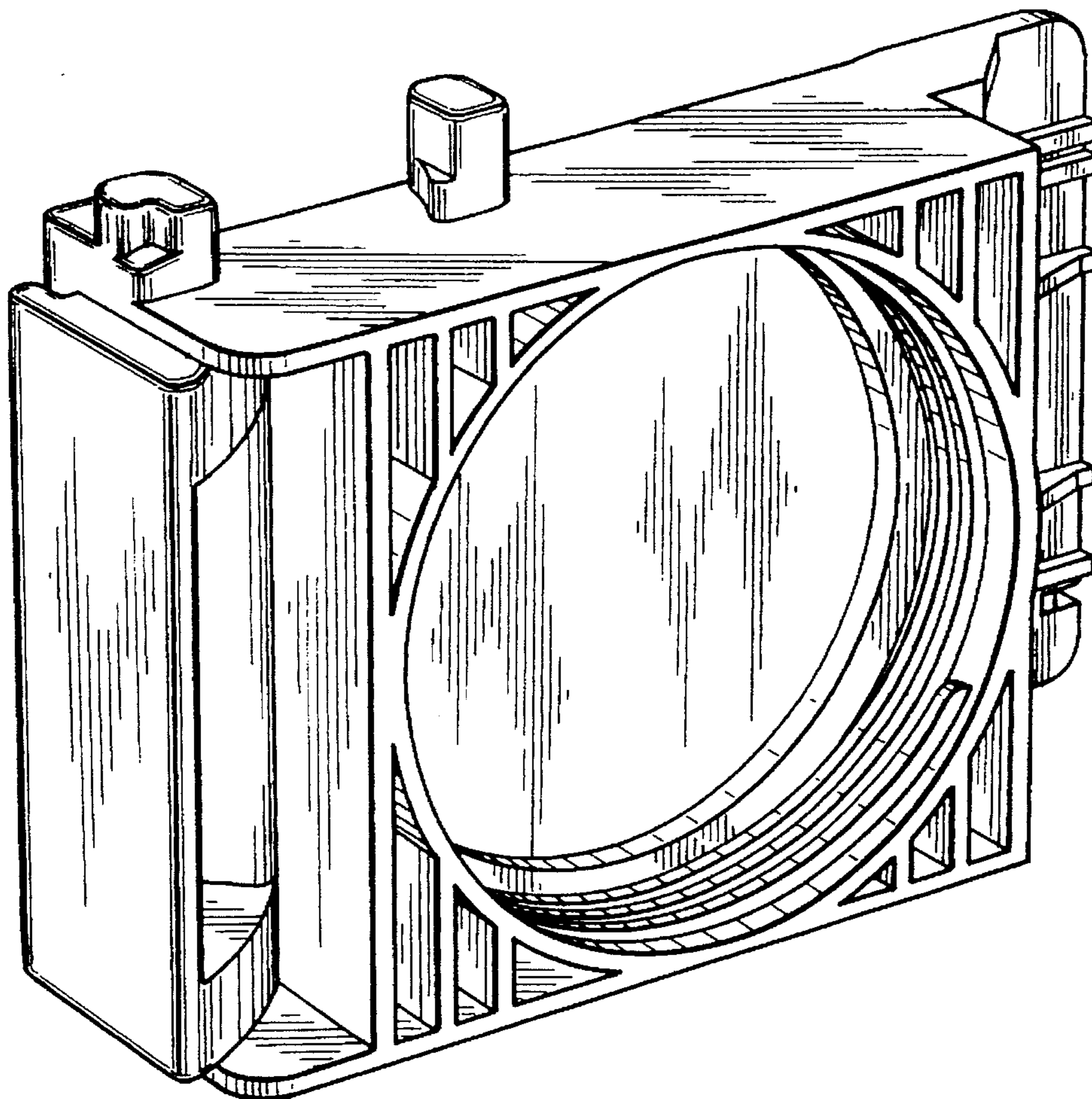


FIG. 1

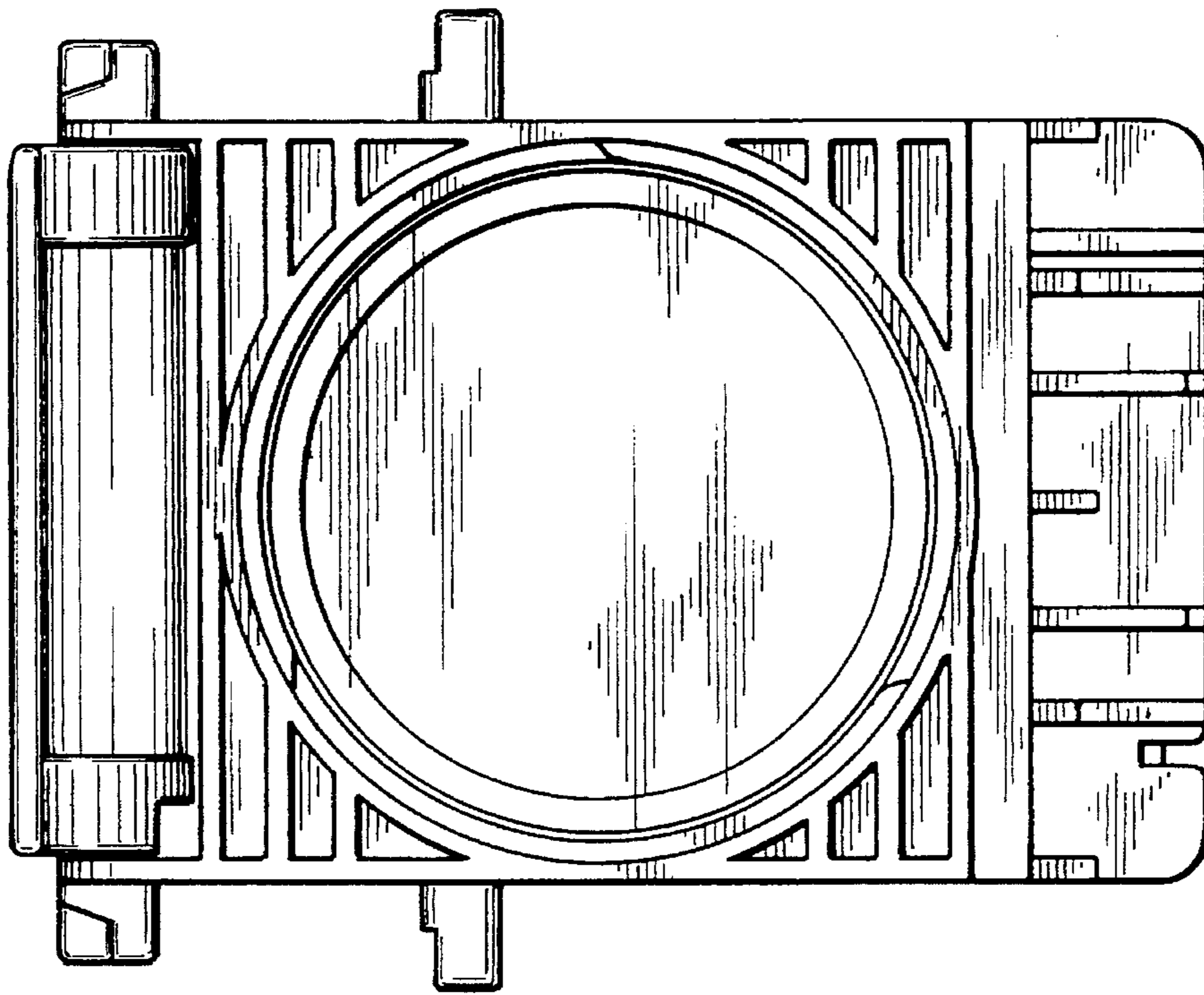


FIG. 2

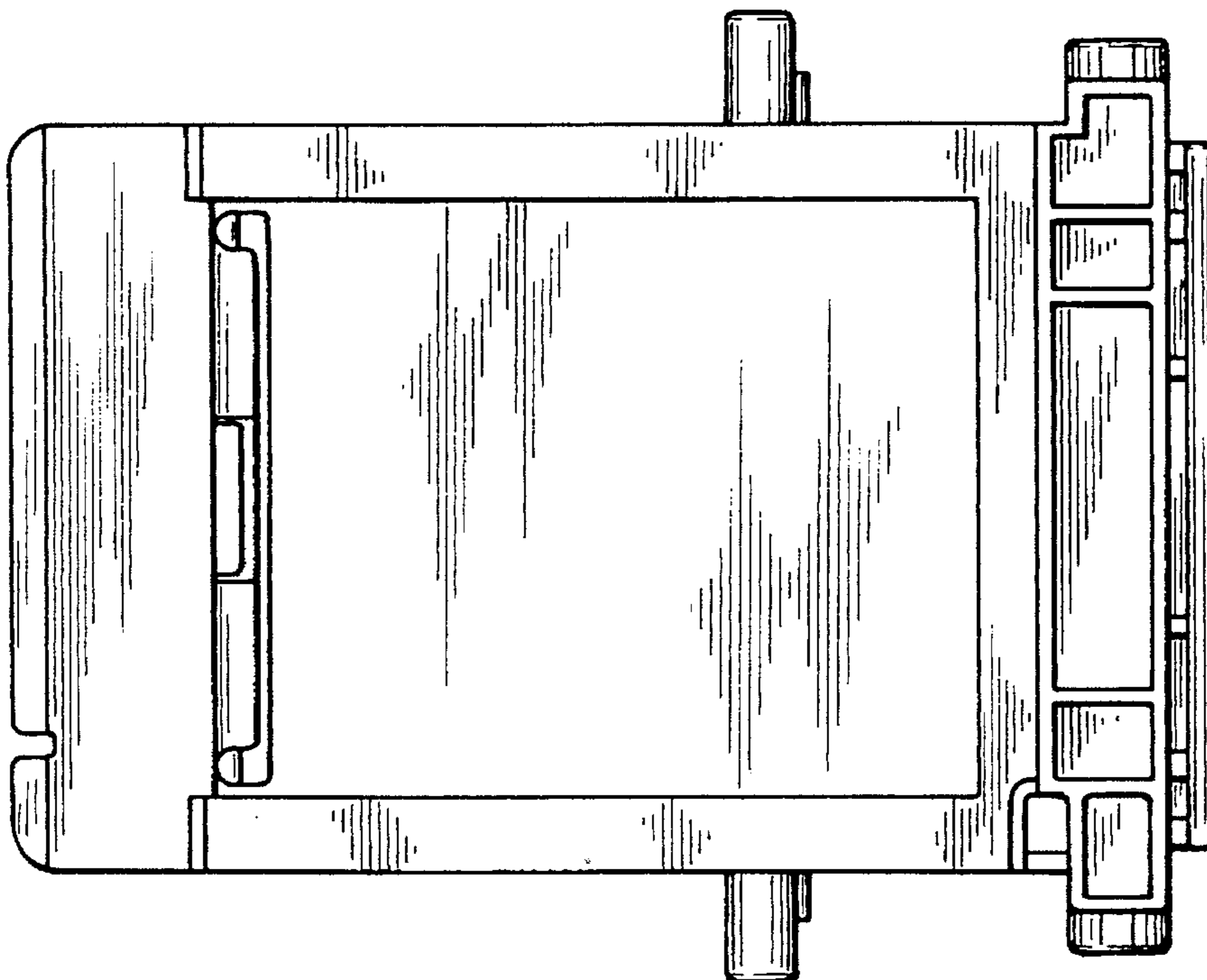


FIG. 3

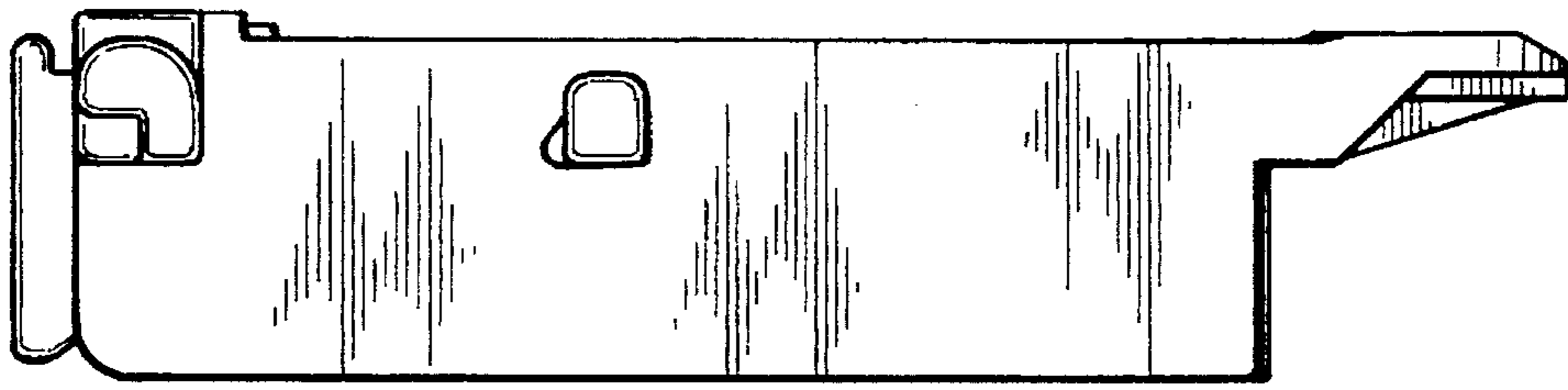


FIG. 4

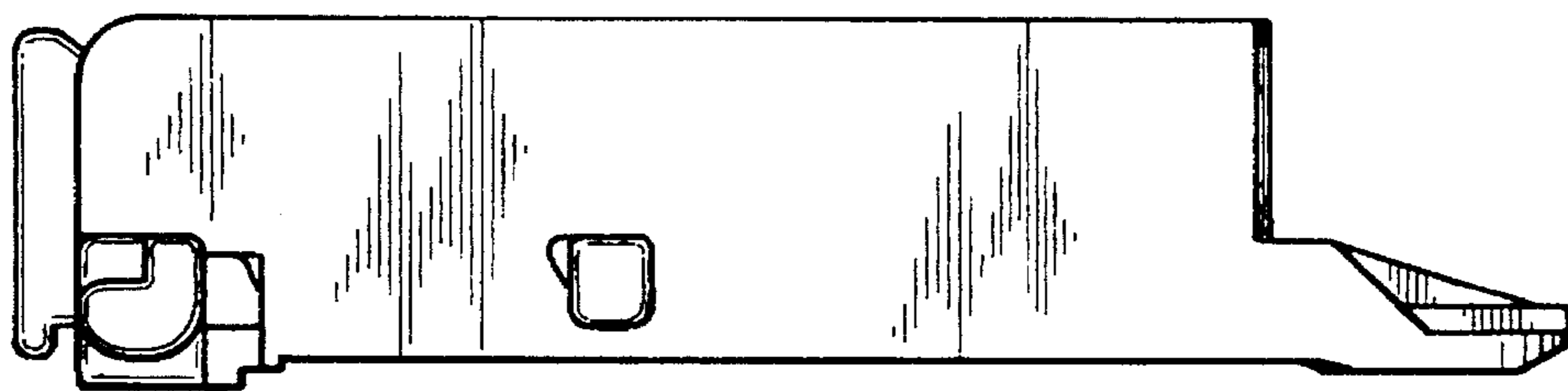


FIG. 5

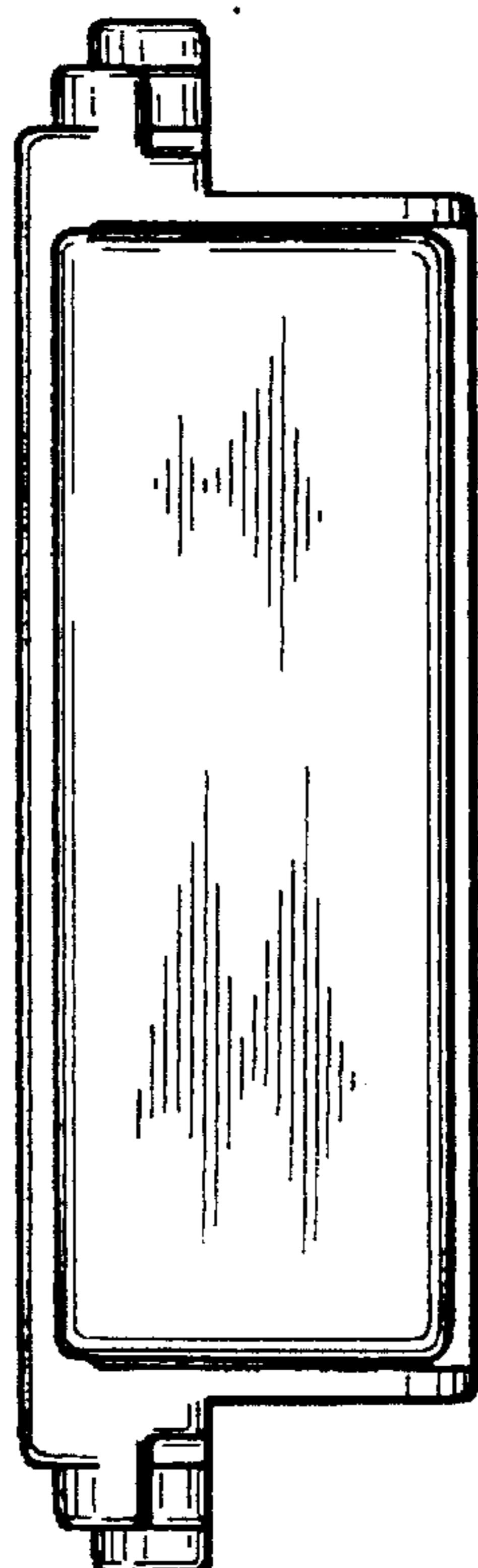


FIG. 6

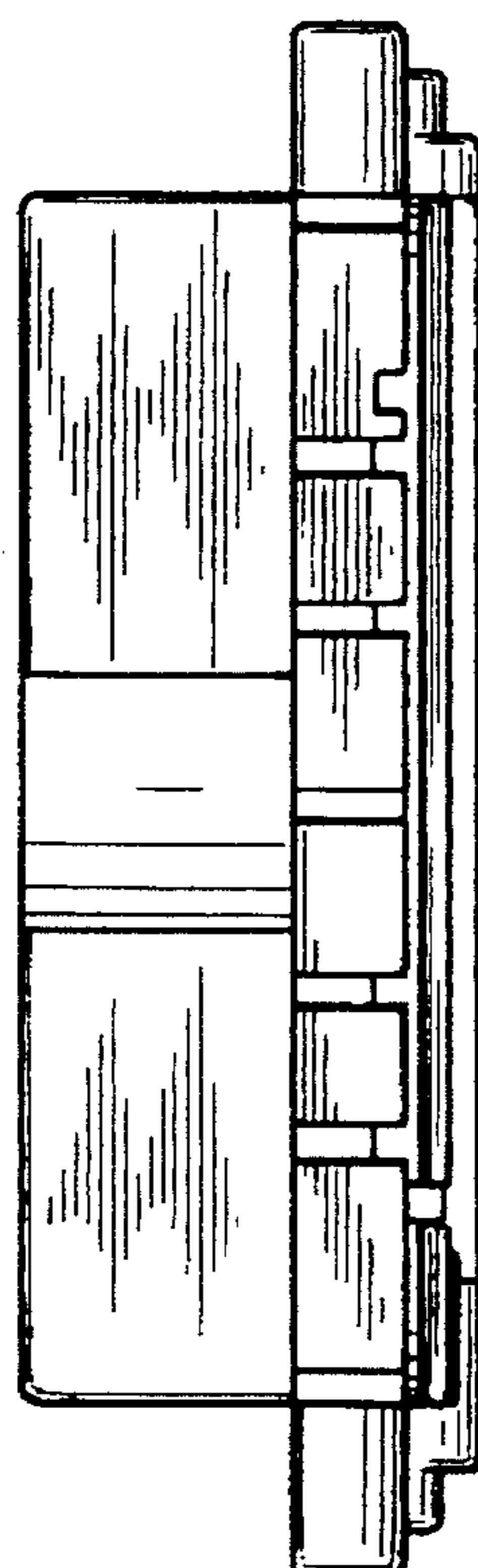


FIG. 7

