



US00D373785S

United States Patent [19]

Watanabe et al.

[11] Patent Number: **Des. 373,785**

[45] Date of Patent: ****Sep. 17, 1996**

[54] **TAPE PRINTER**

[75] Inventors: **Kenji Watanabe; Takanobu Kameda; Chieko Aida; Tomoyuki Shimmura,** all of Tokyo, Japan

[73] Assignee: **King Jim Co., Ltd.,** Tokyo, Japan

[**] Term: **14 Years**

[21] Appl. No.: **38,907**

[22] Filed: **May 16, 1995**

[30] Foreign Application Priority Data

Nov. 16, 1994 [JP] Japan 6-34758

[52] U.S. Cl. **D18/19**

[58] Field of Search D18/19, 50, 52, D18/53, 54; 400/692, 691, 679, 613, 613.1; 347/222, 245, 263

[56] References Cited

U.S. PATENT DOCUMENTS

D. 337,780 7/1993 Thom D18/50

D. 344,752 3/1994 Watanabe et al. .

D. 344,753 3/1994 Watanabe et al. .

D. 356,817 3/1995 Onumata et al. D18/19

D. 363,082 10/1995 Watanabe et al. .

D. 365,360 12/1995 Lore D18/52

5,111,216 5/1992 Richardson et al. 400/613

5,150,130 9/1992 Sato 347/222

Primary Examiner—Louis S. Zarfes

Assistant Examiner—Frank Martinez

Attorney, Agent, or Firm—Frishauf, Holtz, Goodman, Langer & Chick

[57] CLAIM

The ornamental design for a tape printer, as shown.

DESCRIPTION

FIG. 1 is a top plan view of a tape printer showing our new design;

FIG. 2 is a front elevational view thereof;

FIG. 3 is a left-side elevational view thereof;

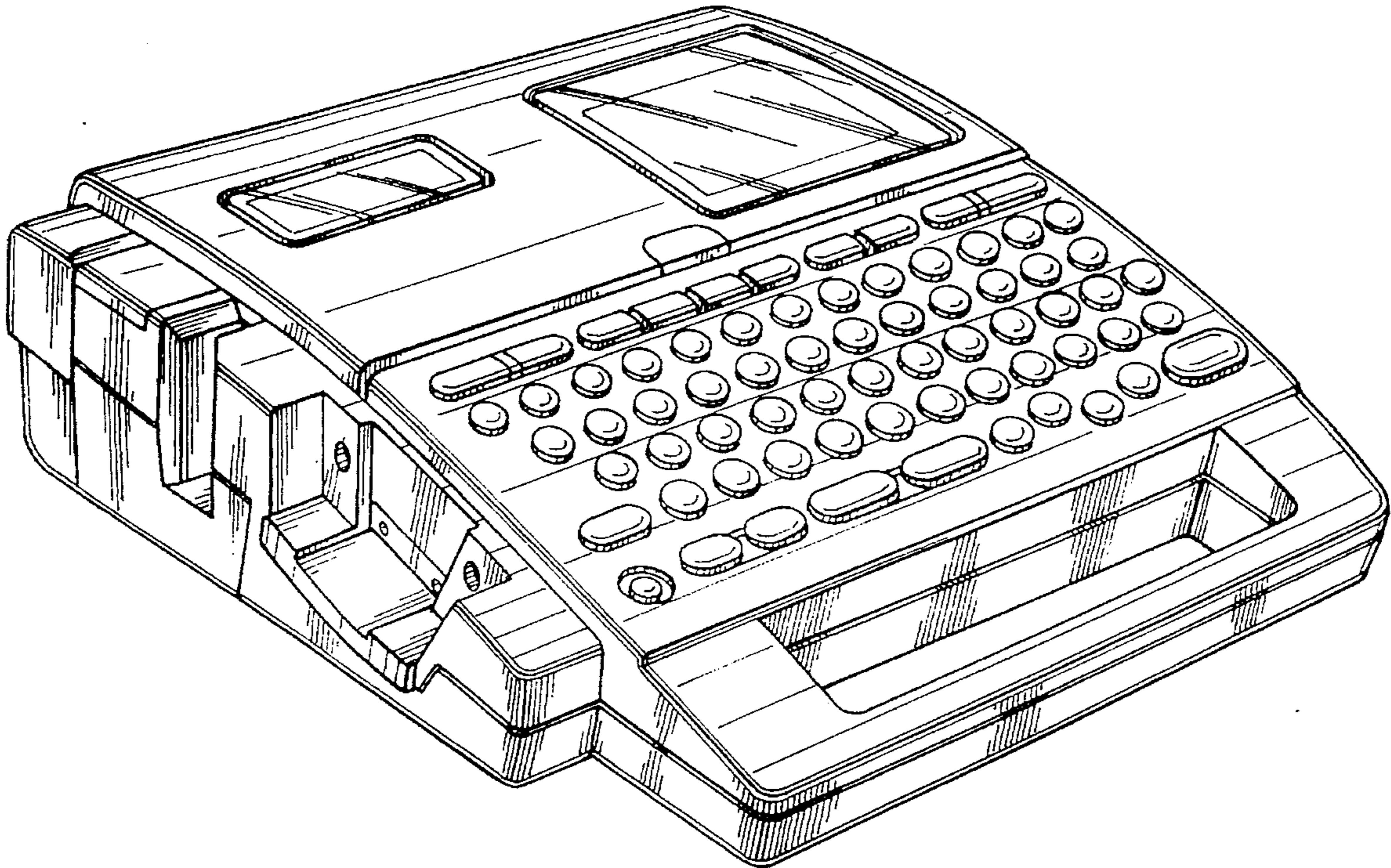
FIG. 4 is a rear elevational view thereof;

FIG. 5 is a right-side elevational view thereof;

FIG. 6 is a bottom plan view thereof; and,

FIG. 7 is a top, left-side, front perspective view thereof.

1 Claim, 3 Drawing Sheets



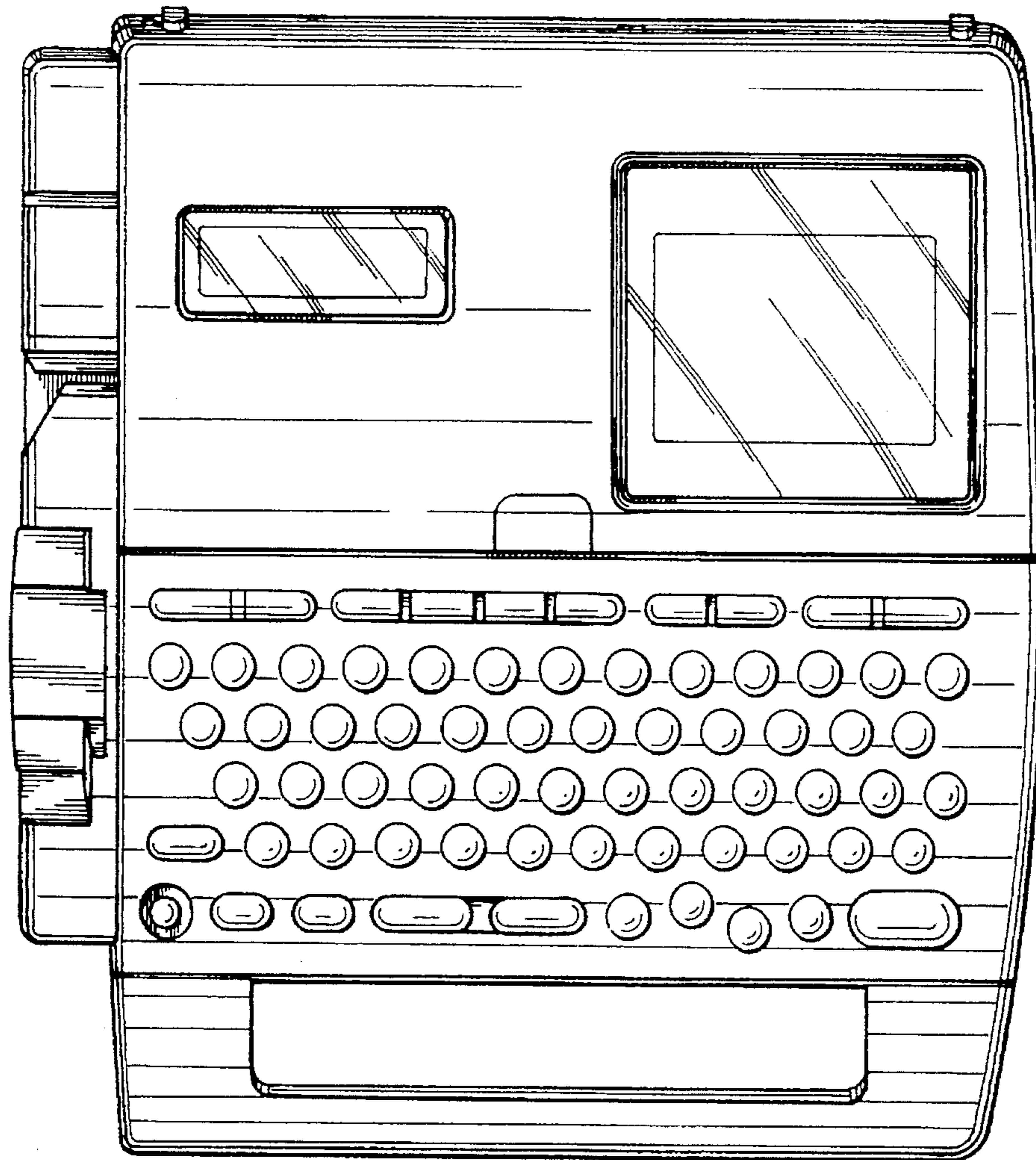


Fig. 1

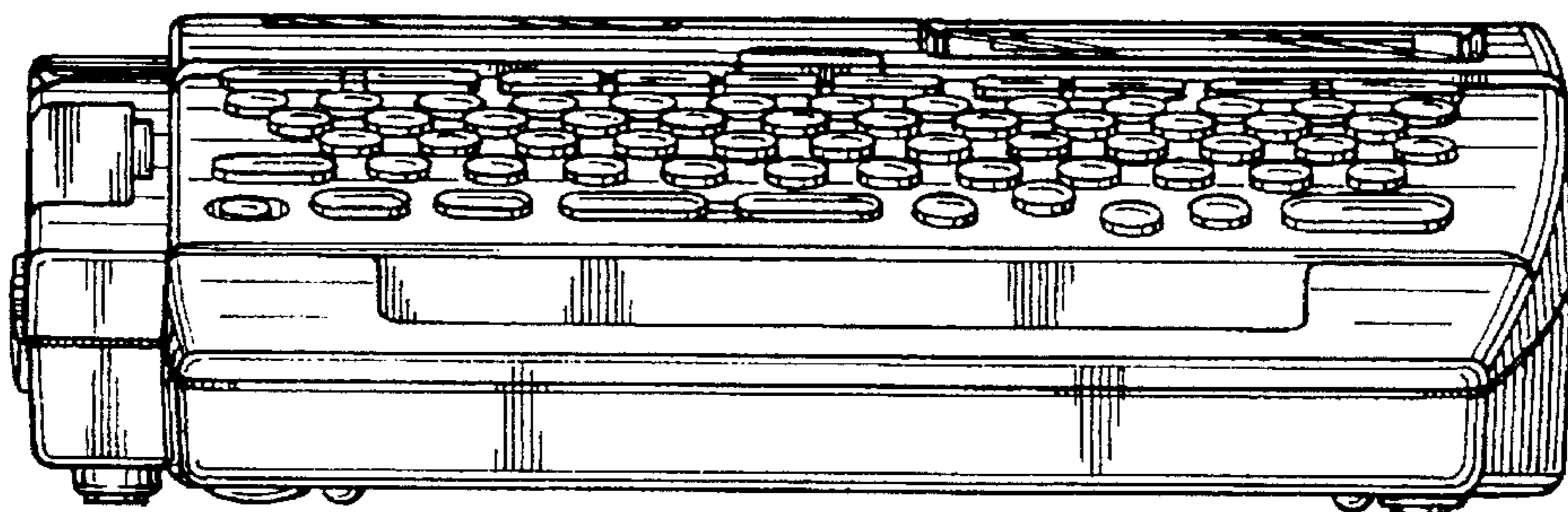


Fig. 2

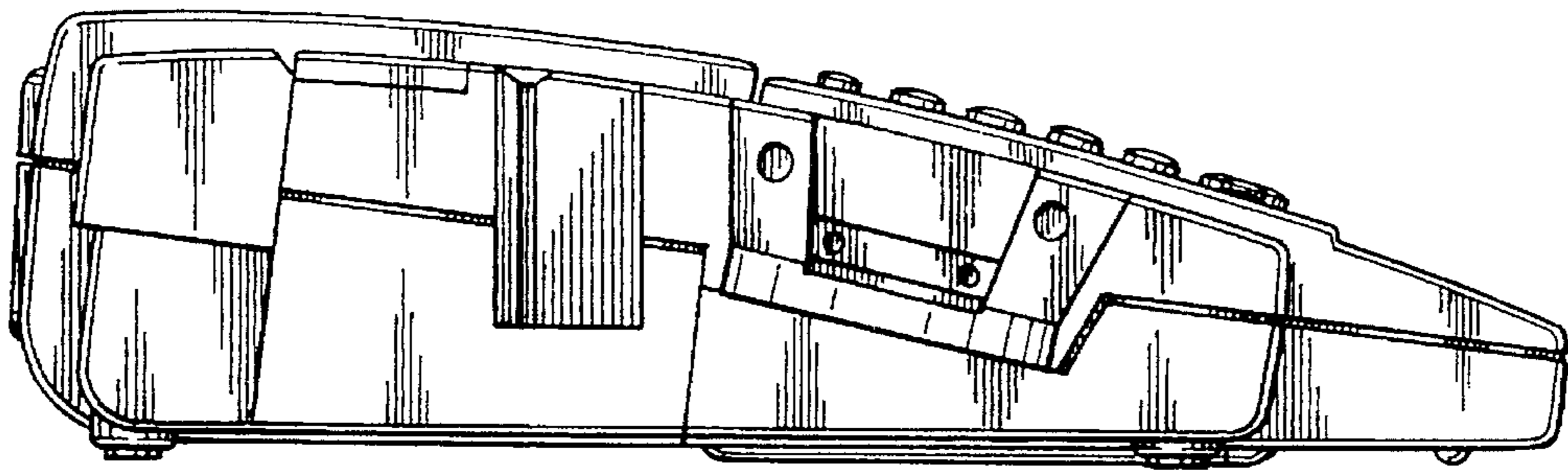


Fig. 3

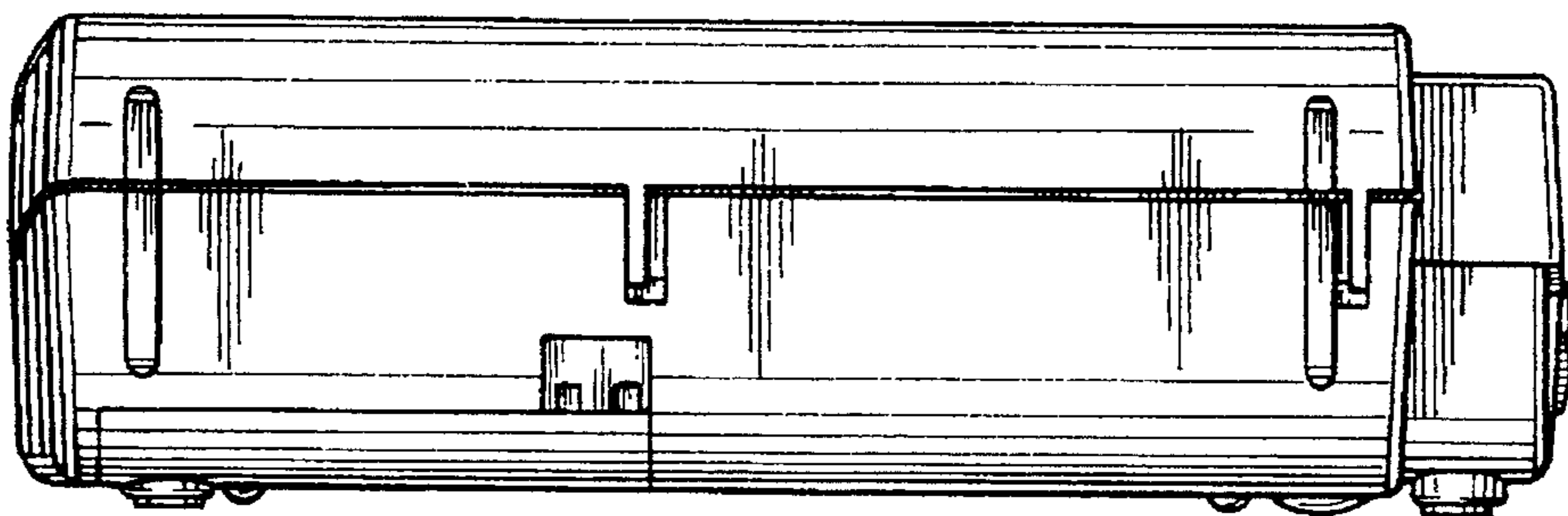


Fig. 4

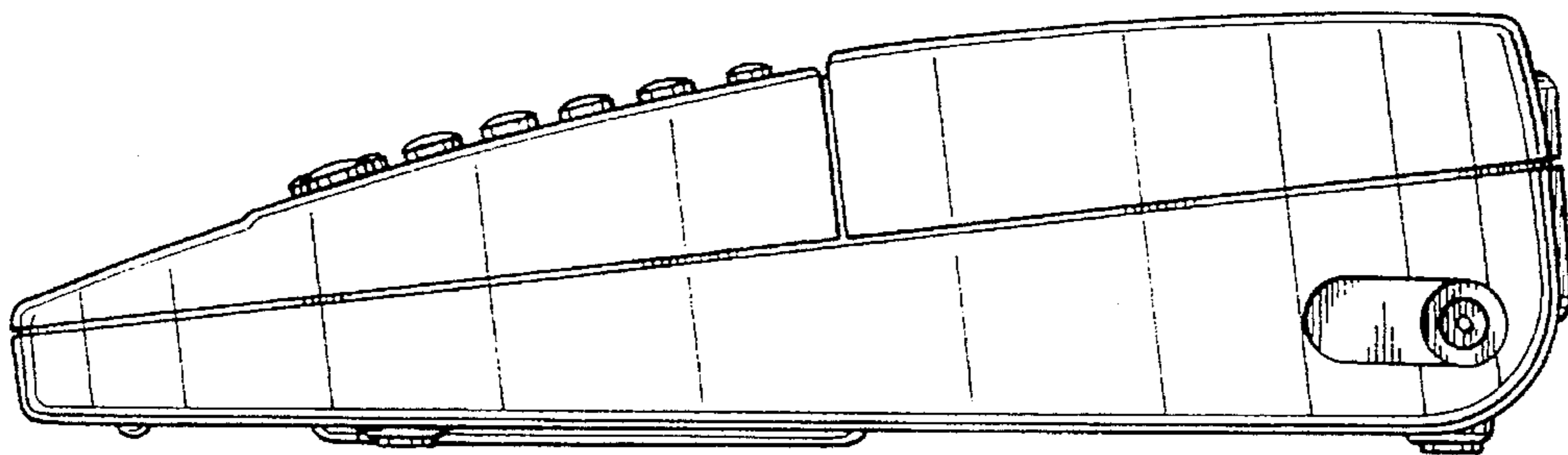


Fig. 5

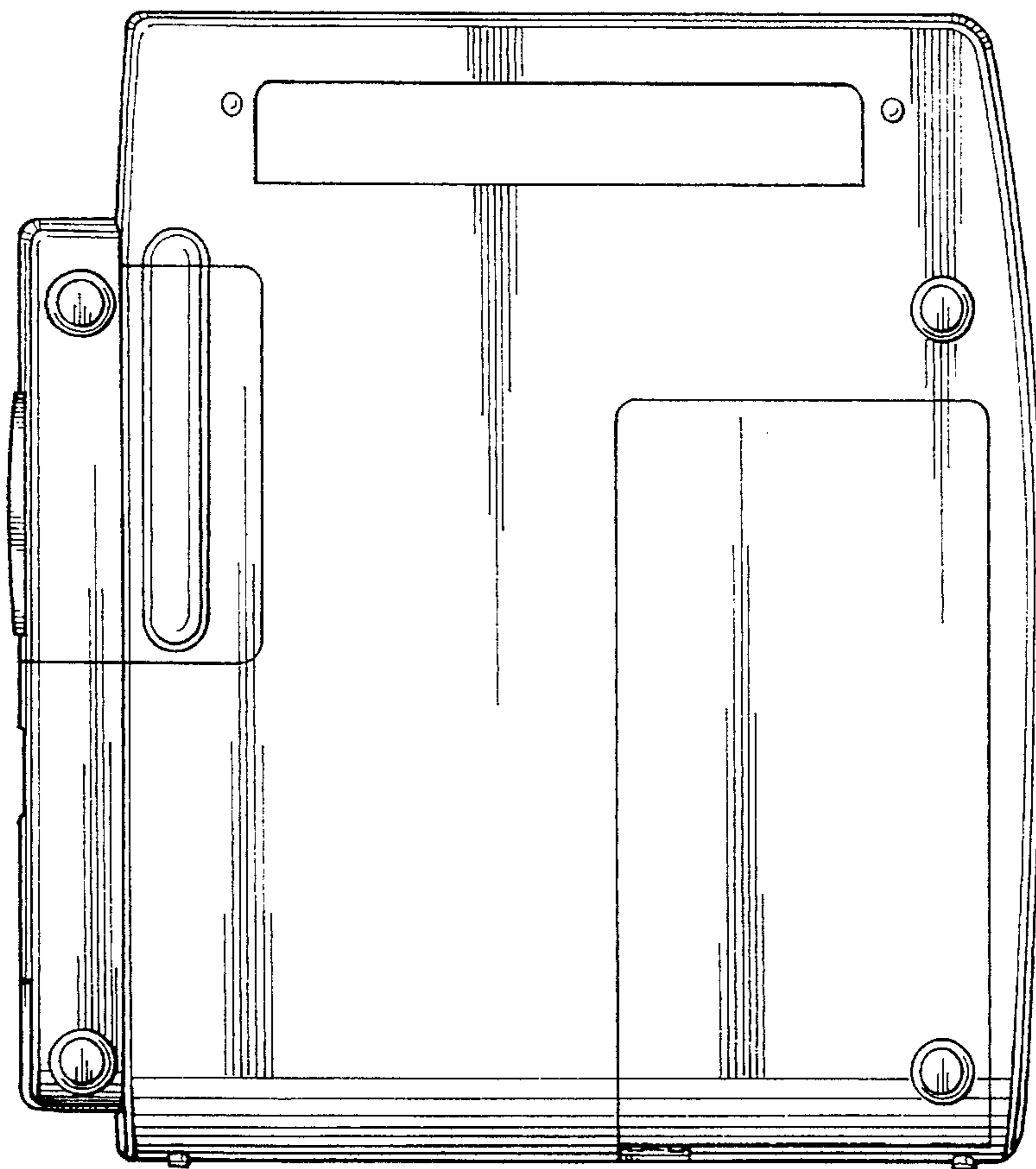


Fig. 6

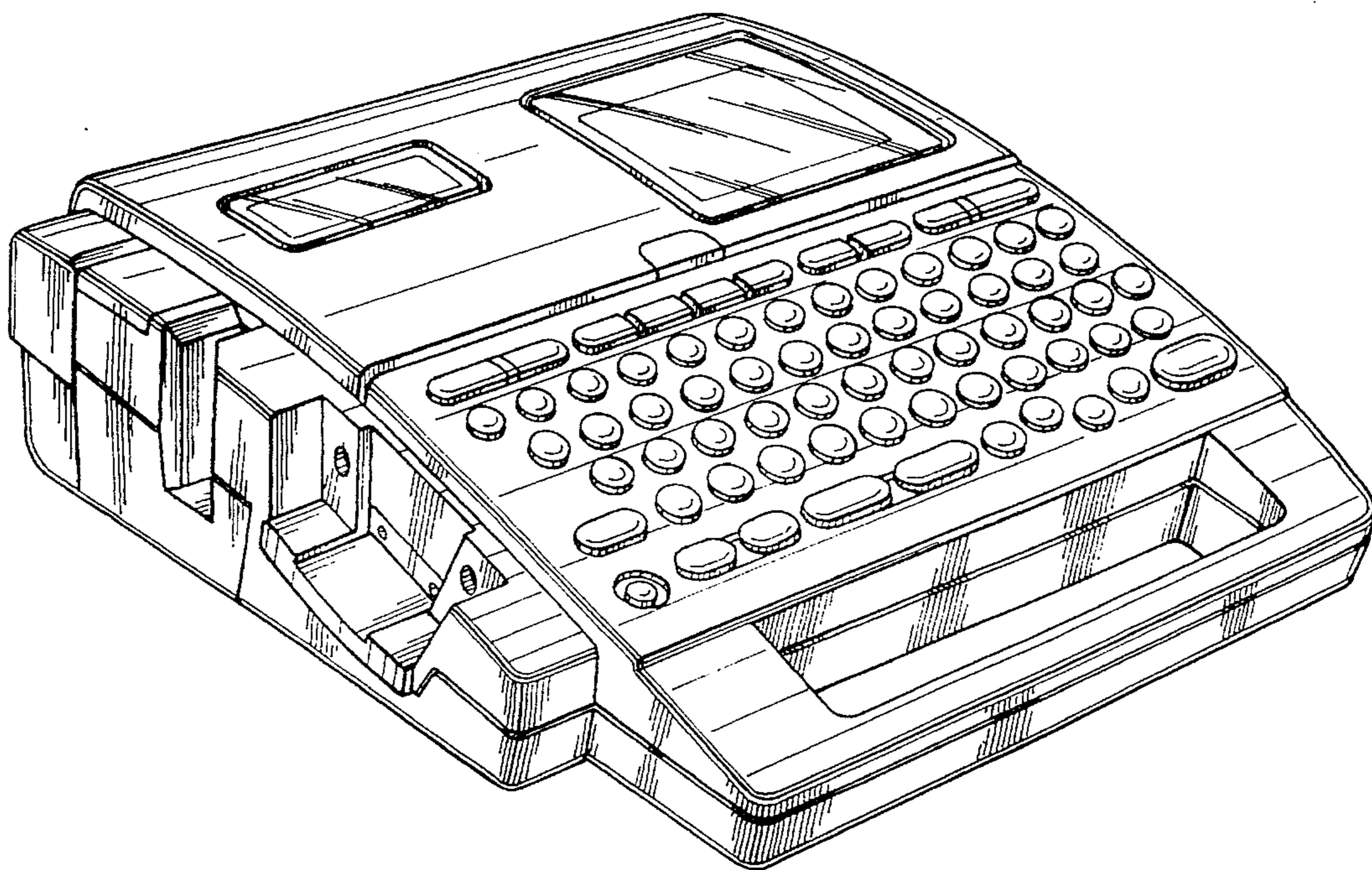


Fig. 7